



# Ulis Motorradladen

BMW Motorcycles Spare Parts Accessory

## PARTS CATALOGUE 2017

### BMW R50/5-R80GS Basic 1969 -1996

#### Table of content:

|  |    |
|--|----|
| <i>Terms and Conditions</i>                      | 3  |
| <i>Impressum</i>                                 | 5  |
| <i>Group 11a Engine</i>                          | 6  |
| <i>Group 11b Engine</i>                          | 13 |
| <i>Group 12 Engine electric</i>                  | 16 |
| <i>Group 13a Fuel system</i>                     | 19 |
| <i>Group 13b BING carburator R50/5-R60/7</i>     | 19 |
| <i>Group 13c Bing carburator R75/-R100</i>       | 23 |
| <i>Group 13d Dellorto carburator R90S</i>        | 27 |
| <i>Group 16 Fuel tank</i>                        | 29 |
| <i>Group 18 Exhaust system</i>                   | 29 |
| <i>Group 21 Clutch</i>                           | 32 |
| <i>Group 23a FourSpeed gearbox</i>               | 37 |
| <i>Group 23b FiveSpeed gearbox</i>               | 37 |
| <i>Group 26 Swingarm and drive shaft</i>         | 39 |
| <i>Group 31 Fork</i>                             | 42 |
| <i>Group 32 Steering and handlebar</i>           | 45 |
| <i>Group 33 Rear axle</i>                        | 50 |
| <i>Group 34 Brake</i>                            | 54 |
| <i>Group 36 Wheels</i>                           | 57 |
| <i>Group 46a Frame, fenders, baggage carrier</i> | 65 |
| <i>Group 46b Fairing</i>                         | 65 |
| <i>Group 52 Seat</i>                             | 75 |
| <i>Group 61 Electric system</i>                  | 75 |
| <i>Group 63 Light</i>                            | 83 |
| <i>Group 95 Literature, bits and pieces</i>      | 85 |
| <i>Credit card direct debit authorisation</i>    | 89 |
| <i>How to find us</i>                            | 90 |

Ulis Motorradladen GmbH  
Gutleutstrasse 144  
D-60327 Frankfurt am Main  
Germany

Telephone +49 (0) 69 / 1753644-0  
Telefax +49 (0) 69 / 1753644-99  
Info@UlisMotorradladen.de  
[www.UlisMotorradladen.de](http://www.UlisMotorradladen.de)  
[www.UlisMotorradladen.com](http://www.UlisMotorradladen.com)

Shop is open:

Tuesday - Friday 10:00 - 12:30 and 13.30 – 18.00

Saturday 10:00 - 13:00, Sunday and Monday we're closed



**The direct line to your needs**

At the times indicated, the responsible employees deal exclusively with your calls. That enough lines are free and therefore longer waiting times are avoided, please call always the fitting number for your needs from the following overview.

**Sale - spare parts** - The Hotline for your orders!

Tuesday - Friday: 10.00 a.m. to 12.00 noon and 3.00 p.m. to 5.00 p.m.

Saturday : 10.00 a.m. to 1.00 p.m.

Tel.: 0049 (0) 69-1753644-10

**Technical consulting** - Technical questions about our products

Tuesday - Friday: 5.00 p.m. to 5.30 p.m.

Tel.: 0049 (0) 69-1753644-30

**Ebay settlement** - with questions about a purchase on Ebay

Tuesday - Friday: 10.00 a.m. to 12.00 noon

Tel.: 0049 (0) 69-1753644-11

**IT / Online Store** - login problems or questions regarding the use

Tuesday - Friday: 10.00 a.m. to 12.00 noon and 3.00 p.m. to 5.00 p.m.

Tel.: 0049 (0) 69-1753644-42

**Additional departments**

Tuesday - Friday: 10.00 a.m. to 12.00 noon and 3.00 p.m. to 5.00 p.m.

**Switchboard**

Here you can call if you are not sure which department is responsible for your concern. They connect you to the appropriate contact person.

Tel.: 0049 (0) 69-1753644-0

**Shipping**

For questions about a package which is on the way to you, the employees can help you here.

Tel.: 0049 (0) 69-1753644-12

**Repairs/Workshop**

If you want to repair a motorcycle or parts thereof, or have a bike/part with us for repair, you can contact us with your concerns here.

Tel.: 0049 (0) 69-1753644-31

**Purchase**

If you are a supplier of us, or want to be, that's the correct number:

Tel.: 0049 (0) 69-1753644-20

**Accounting**

For questions about a payment or reminder you can call here:

Tel.: 0049 (0) 69-1753644-41

**Fax:** 00 49 (0)69 - 1753644-99

**E-Mail:** [Info@UlisMotorradladen.de](mailto:Info@UlisMotorradladen.de)



Frankfurt, Germany  
July 2017

Dear BMW friends and riders,

Welcome to Ulis Motorradladen!

Thank you for your interest in our products for older BMW motorcycles. This is our latest edition of an English version of our catalog and even though it is not complete, we hope this edition will help you locate your parts more easily. Parts descriptions are now translated in English language. We apologize for mistakes beforehand.

A note to owners of BMW motorcycles built before 1969: We stock nearly all spare parts for these models and we have a catalog for them exclusively. All catalogs are available for download from our web-site as pdf files.

In this catalog you'll see each part category preceded by a diagram. By cross-referring a part description with its picture in the diagram, we hope to eliminate misunderstandings and incorrect part orders. The diagrams and listings also show that we do indeed keep all parts for old BMWs in stock and ready for shipment.

Please notice that we offer many used parts. We do not sell junk—rather good, useable parts. For example, if you order a used crankcase breather for a R60/6, the part you receive will in no way be inferior to a new factory part. The price of a used part is generally half the price of the new part. Exceptions to this are rare parts that are no longer available.

We are a customer-oriented company. If you have technical questions regarding your BMW we are happy to answer them. We have been riding, servicing and selling old BMWs for years—we are experts regarding what we sell. We answer all inquiries in the order they are received and as soon as possible. Suggestions are always welcome!

### **Terms and Conditions**

The shipping-cost will be charged according to the conditions displayed in a list you will find on our website under [www.ulismotorradladen.de](http://www.ulismotorradladen.de) or in conjunction with an online-order you place.

The forwarder and the shipping-method we will determine for you, depending on the nature of the goods you buy. All shipments however are insured against loss.

The payment-method „COD cost on delivery“ will result in an extra fee (see shipping-cost list).

Online-orders include the shipping-cost and all additions and will be processed when you confirm the order.

#### **Please notice:**

Every order will result in shipping-cost, no matter if you order few or many items. No shipment will be transport-fee free. The shipping-cost includes the German VAT in any case, which is no error.

The average runtime within Germany is 1-5 labourdays.

The average runtime in foreign countries varies from 5-60 labourdays, depending on the destination.

Due to specific conditions in the land of the destination (holidays, weather-conditions, legal conditions) delays can occur and cannot be influenced by Uli's.

Uli's cannot guarantee that the parcel will arrive in time. The shipping-companies themselves do not guarantee the delivery within the standard-runtime, unless you do not order additional service performances.

Special shipping-performances can be ordered, resulting in additional freight-cost, such as EXPRESS-shipments our courier services. The cost and the equivalent conditions can be asked for at Uli's helpdesk.

We are capable to ship complete motorcycles, sidecars and combinations as well. Cost and delivery conditions under request.

### **Payment Conditions**

#### **Bankdraft:**

We draw the total from your bank-account, if it is a bank in Germany. You do not have to care or worry for anything. The quickest and most convenient way to pay. Bankdraft from banks outside of Germany are not possible.

#### **Creditcard:**

Please transfer your creditcard details to us. We need the long number, expiry-date and the 3-digit security-code. Do not use email to transmit the data! Only Fax, telephone and our webshop are safe. We accept Visa-Euro-Master-Amexcard. Maestro- or bankingcards are not valid.

#### **Prior payment**

We will send an email (or Fax) to you, including an order-confirmation with a detailed list of what you buy and the total cost all together. If you transfer the money to one of our bank-accounts, the goods will be sent out without delay. Using the online-shop, you can proceed with the payment as soon as the buying process is finished. Mention the document-number, please.

### **Reparation of Components**

If you send in components of motorcycles for reparation, please do not forget to include a detailed description of the labour you want us to perform. Without such a description, the work cannot be done.

Please clean the parts before you send them in. If you should fail to do so, we would probably have to charge an additional cleaning-fee. Pack the things carefully, many valuable parts break or get scratched due to improper packing. The letter you send with the component must also include your full name and home-address.

**Repeal**

It is your privilege as an end-customer to send back goods you have bought at Uli's, within the first 14 days after your purchase. This right is only valid if we had sent the parts to you, not if you had bought them in our shop locality. Please send your repeal within 14 days in written form (a.e. letter, fax, email), you must not declare the reason. If you received the goods before this 14 Days period ends, it's enough to send the goods back.

**Send the Reapeal to:**

Ulis Motorradladen GmbH  
Gutleutstrasse 144  
60327 Frankfurt  
Germany  
Email: [info@ulismotorradladen.de](mailto:info@ulismotorradladen.de)  
Fax: 0049 - 69 - 1753644 - 99

You can claim back the full amount, if:

- the commodity has been bought at Uli's,
- the goods are not damaged
- the goods have not been used, regardless of minor traces of usual inspections

Parts that have been used or damaged might not be subject for a refund or for claims. In some cases, we would refund the value with an equivalent deduction.

Basically, we will refund the shipping-cost from us to you, if you return the commodities within 14 days and under the condition that you return them completely. If you should happen to keep some of the articles out of one shipment, we will probably not refund the entire shipping-cost.

If the shipment from us to you was free of charge, due to our „more than 150 Euro“-regulation, and you return goods that lower the value of the shipment below this borderline, we will probably charge shipping cost after your purchase. This may result in a deduction of the refund value through Uli's.

We gladly cover your return-shipping-cost if:

- the return takes place not later than 14 days after the purchase
- the overall value of the parts you had returned exceeds 40,00 Euro
- the invoice has completely been paid for

The return-shipping-cost will not be covered by Uli's if these conditions are not matched.

**No Repeal** for bussiness customers, clubs and societys.

If you have the wish to send back goods, please ask us before!

**No Repeal** if you bought the good in our local shop.

If you have the wish to send back goods, please ask us before!

**Exchange**

The condition for an exchange of a commodity is that the goods have returned to Uli's.

The goods you return will be subject to a credit, and the parts you want to buy instead will be charged as usual.

**Reclamation**

Everything you buy at Uli's includes „Gewährleistung“, which means that you have the right to claim a broken, defective or unfunctional product at Uli's up to a period of 24 months, but only if we had sent the part to you. If you had picked up the commodity in our shop locality, the right is invalid.

The right mentioned above is valid 12 months only if the commodity is secondhand.

Of course we inspect all secondhand and used parts throughly before we sell them.

In case of a righteous reclamation of goods, Uli's will cover all transportation-fees, also for their return.

**Your shipments to us**

will be accepted under the condition that the transportation-fee has been paid for. Shipments that include a duty for Uli's will be refused. Exemptions are made if the return is subject to an agreement with Uli's.

If it should be your wish not to expend transportation-fees prior to the return, we would like you to get in contact with us.

Uli's has means to organize reasonable collect-services. If you should fail to contact us before you send in a parcel with a duty for Uli's, we would probably deduct the cost from later refunds. Please do not send „unfree“ parcels!

**Prices**

All pricelists in connection with Uli's Motorradladen, such as the PDF-file you find under [www.ulismotorradladen.de](http://www.ulismotorradladen.de) include reserved prices. Changes in prices can and will occur. We do not guarantee for printed prices.

The prices in the online-shop are currently adopted and valid in general.



Every pricelist includes prices with VAT and without VAT. All prices are in Euro. Pricelists in other currencies than EURO do not exist. Also, the invoices we set up are in EURO exclusively.

**Best Regards,  
schöne Grüße aus Frankfurt,**

**Ulis Motorradladen**

### **Impressum**

**Ulis Motorradladen Gmbh**  
BMW Motorräder – Ersatzteile – Zubehör  
Gutleutstrasse 144

D-60327 Frankfurt am Main  
Germany

Telefon           +49 (69) 1753644-0  
Telefax           +49 (69) 1753644-99  
eMail             Info@UlisMotorradladen.de  
Internet          http://www.UlisMotorradladen.de

Managing director Ulrich Seiwert  
District court Frankfurt HRB40289  
VAT-No: / UstIdNr: DE 174059929

**Payments** can be transfered to:  
Postgiroamt Frankfurt  
Account No 11 52 38 608  
Bank Id No 500 100 60  
Iban: DE43500100600115238608  
SwiftBic: PBNK DE FF

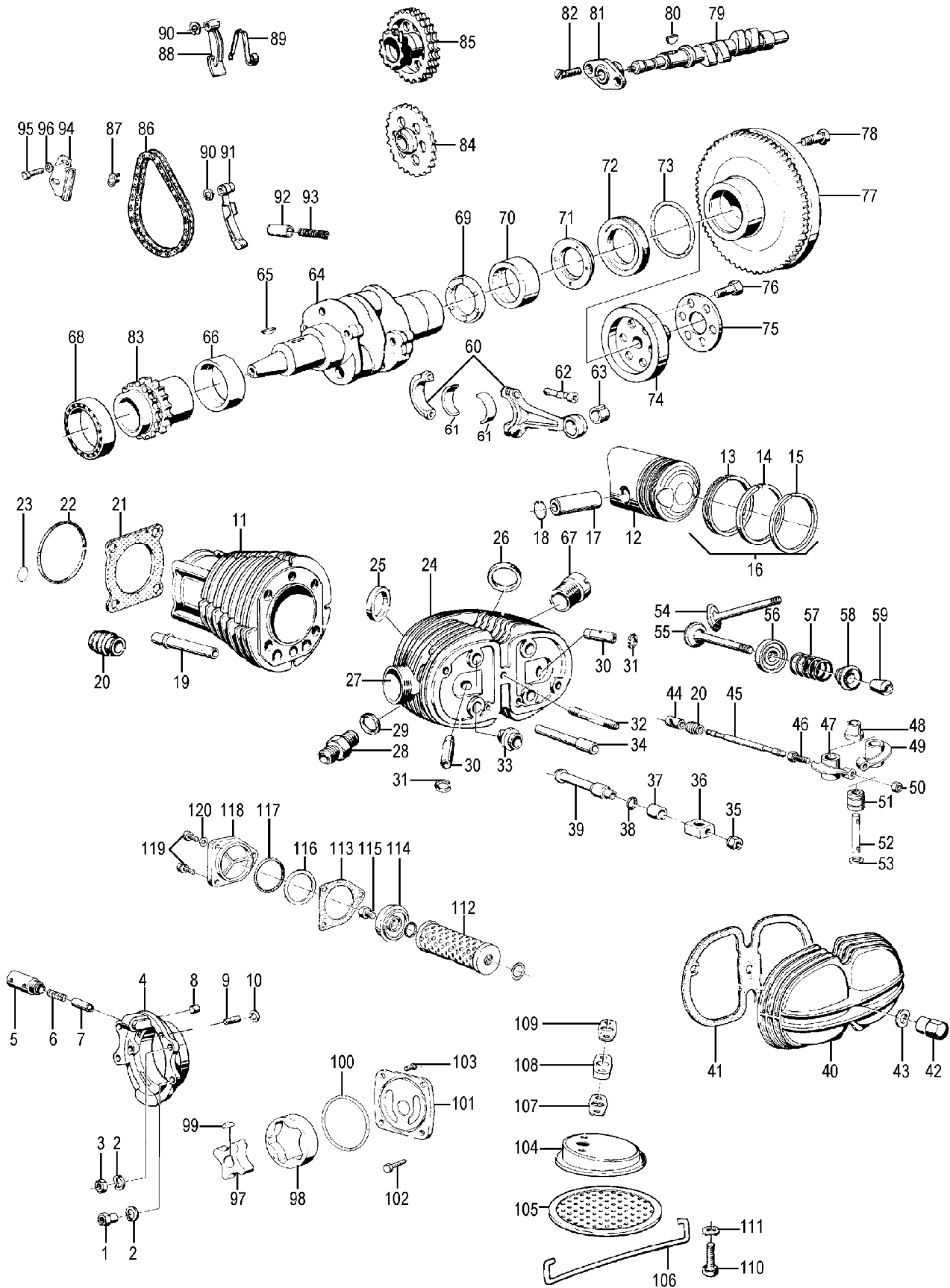
Commerzbank Frankfurt  
Account No 384 766 400  
Bank Id No 500 800 00  
Iban: DE67500800000384766400  
SwiftBic: DRES DE FF

Copyright @ Ulis Motorradladen GmbH 2017.  
Reprint, copying or any kind of publishing – even parts of it – needs our written permission!

We apologize for all possible mistakes and price changes.



**Group 11a Engine**



| <u>Picture-No.</u> | <u>Article-No.</u> | <u>Description</u>   | <u>Net</u> | <u>Gross</u> |
|--------------------|--------------------|--|------------|--------------|
| 11a_000            | 9056145            | Gasket set Oilchange for BMW R50/5-R100 without oilcooler                                  | 3,57 €     | 4,25 €       |
| 11a_000            | 1256928            | Washer RPM-drive   | 3,32 €     | 3,95 €       |
| 11a_000            | 1255023            | Engine gasket set (No.M11) for BMW R50/5-R90S, till year of manufacture Aug 1975, complete | 80,17 €    | 95,40 €      |
| 11a_000            | 8500007            | Oil cooler By-Pass connection  | 2,30 €     | 2,74 €       |



|          |         |  |          |          |
|----------|---------|--|----------|----------|
| 11a_000  | 9056146 | Gasket set Oilchange for BMW R50/5-R100 with oilcooler   | 5,00 €   | 5,95 €   |
| 11a_000  | 1338421 | Engine gasket set (No.M13) für BMW R60/7-R80/7, complete   | 69,83 €  | 83,10 €  |
| 11a_000  | 9942050 | Crankshaft main bearing holding pin for BMW R50/5-R100   | 1,60 €   | 1,90 €   |
| 11a_000  | 1338174 | Cylinder with piston, R65GS, R65, 20KW   | 335,21 € | 398,90 € |
| 11a_000  | 50158   | Oil filter tube for BMW R50/5, R60/5 and R75/5   | 29,33 €  | 34,90 €  |
| 11a_000  | 38203   | Sleeve tube for oil filter   | 16,72 €  | 19,90 €  |
| 11a_000  | 1338422 | Engine gasket set (No.M15), R100 up from year 1976, R80 up from year 1985, complete  | 69,83 €  | 83,10 €  |
| 11a_000  | 1335627 | Piston and cylinder assembly for BMW R80, Nicasil, 1:8,2 original BMW  | 663,78 € | 789,90 € |
| 11a_000  | 1255024 | Engine gasket set (No.M12), for BMW R60/6-R90S, as off year of manufacture Sep 1975, complete                                | 69,83 €  | 83,10 €  |
| 11a_000  | 024570  | Sealing compound (Elastic gasket grease), 40ml Hylomar M   | 4,96 €   | 5,90 €   |
| 11a_000  | 1338423 | Engine gasket set (No.M14) for BMW R45 and R65, complete   | 71,39 €  | 84,95 €  |
| 11a_000  | 1338425 | Engine gasket set (No.M16) for BMW R100/7, R100GS, R100R, complete   | 71,83 €  | 85,48 €  |
| 11a_001  | 1253243 | Nut for chain tensioner spring fur BMW R50/5 and up until year of manufacture 09/1983 and for bearing cover oil pan          | 4,79 €   | 5,70 €   |
| 11a_004a | 1259593 | Bearing shield crankshaft for BMW R50/5-R100, front, years of manufacture 09/1969-09/1978                                    | 109,16 € | 129,90 € |
| 11a_006  | 52128   | Thrust spring R50/5->  | 2,44 €   | 2,90 €   |
| 11a_007  | 71320   | Valve piston, overpressure R50/5->   | 6,68 €   | 7,95 €   |
| 11a_011  | 9823191 | Piston and cylinder assembly for BMW R65, 27PS, 8,5:1 from year of manufacture 1985 2 cylinder with pistons complete, used   | 352,94 € | 420,00 € |
| 11a_011a | 51383   | Cylinder R75/5-R75/6 ->76, new   | 260,42 € | 309,90 € |
| 11a_011c | 10013   | Cylinder bore and hone job, up to 70,00mm  | 69,33 €  | 82,50 €  |
| 11a_011c | 1001313 | Cylinder hone job  | 8,40 €   | 10,00 €  |
| 11a_011c | 3003030 | Cylinderhead planning job  | 16,81 €  | 20,00 €  |
| 11a_011d | 10012   | Cylinder bore & hone job (72mm->)  | 85,00 €  | 101,15 € |
| 11a_011e | 1337917 | Cylinder 1000cc, Nicasil from 08/80 >  | 388,15 € | 461,90 € |
| 11a_011g | 1337275 | Cylinder R 65, Nicasil, new  | 394,12 € | 469,00 € |
| 11a_011h | 1260711 | Cylinder R90S, ->08/75, new  | 295,00 € | 351,05 € |
| 11a_011i | 1337391 | Power Kit 1000cc for R80 1981->, (2 cylinder/ piston) 46KW/62,5PS, incl. TÜV-report  | 668,07 € | 795,00 € |
| 11a_011i | 1337392 | Cylinder Replacement Kit 1000ccm 09/80>> (2 cylinder/pistons) Nicasil  | 692,44 € | 824,00 € |
| 11a_011i | 1264647 | Cylinder R90S, 08/75->, new  | 258,61 € | 307,75 € |
| 11a_011i | 1337389 | Cylinder Replacement Kit 1000ccm >09/80 (2 cylinder/pistons) Nicasil   | 692,44 € | 824,00 € |
| 11a_011j | 1337394 | Power Kit 1000cc for R75/5-R90S, (2 cylinder/ piston) >> 09/75   | 755,46 € | 899,00 € |
| 11a_012  | 1335452 | Piston for BMW R100/7 1:9,0 - 94,25mm, complete with rings, pin and clips  | 187,31 € | 222,90 € |
| 11a_012  | 1255559 | Piston for BMW R75/5, R75/6 and R75/7 - 82.01mm complete with rings, pin and clips   | 142,02 € | 169,00 € |
| 11a_012  | 1255560 | Piston for BMW R75/5, R75/6 and R75/7 - 82.02mm complete with rings, pin and clips   | 142,02 € | 169,00 € |
| 11a_012  | 1255556 | Piston for BMW R90/6, 1:9,0 - 89,985mm, complete with rings, pin and clips standard measure                                  | 167,23 € | 199,00 € |
| 11a_012  | 1335413 | Piston for BMW R80/7 until year of manufacture 09/1980, 1:8,2 - 84,78mm standart measure, complete with rings, pin and clips | 175,55 € | 208,90 € |
| 11a_012c | 1335462 | Piston for BMW R100S, R100RS and R100RT, 1:9,5 - 94,00mm for cast-iron sleeve, complete with rings, pin and clips            | 176,39 € | 209,90 € |
| 11a_012c | 1337175 | Piston for BMW R100S, R100RS and R100RT, 1:9,5 - 94,00mm, Nicasil complete with rings, pin and clips                         | 225,55 € | 268,40 € |
| 11a_012d | 1335463 | Piston for BMW R100S, R100RS and R100RT, 1:9,5 - 94,25mm for cast-iron sleeve, complete with rings, pin and clips            | 184,03 € | 219,00 € |
| 11a_012e | 1335464 | Piston for BMW R100S, R100RS and R100RT, 1:9,5 - 94,50mm for cast-iron sleeve, complete with rings, pin and clips            | 184,79 € | 219,90 € |
| 11a_012f | 1335042 | Piston for BMW R45 1:9.2 - 70,00mm, complete with rings, pin and clips standard measure for cast-iron sleeve                 | 180,59 € | 214,90 € |
| 11a_012g | 1335045 | Piston for BMW R45 1:9.2 - 70,25mm, complete with rings, pin and clips for cast iron sleeve, 1st oversize                    | 151,18 € | 179,90 € |
| 11a_012h | 1335062 | Piston for BMW R45 1:9.2 - 70,50mm, complete with rings, pin and clips for cast iron sleeve, 2nd oversize                    | 187,14 € | 222,70 € |
| 11a_012i | 1335333 | Piston for BMW R45N, (27PS) 1:8,2 - 70,00mm, complete with rings, pin and clips for cast iron sleeve, standard measure       | 151,18 € | 179,90 € |
| 11a_012j | 1335338 | Piston for BMW R45N, (27PS) 1:8,2 - 70,25mm, complete with rings, pin and clips for cast iron sleeve, 1st oversize           | 151,18 € | 179,90 € |
| 11a_012k | 1335339 | Piston for BMW R45N, (27PS) 1:8,2 - 70,50mm, complete with rings, pin and clips for cast iron sleeve, 2nd oversize           | 151,18 € | 179,90 € |
| 11a_012l | 1254054 | Piston for BMW R50/5 - 67,50mm (67,48mm), complete with rings, pin and clips 1st oversize                                    | 184,03 € | 219,00 € |
| 11a_012m | 1254053 | Piston for BMW R50/5 - 67,00mm, complete with rings, pin and clips standard measure  | 155,46 € | 185,00 € |
| 11a_012n | 1254055 | Piston for BMW R50/5 - 68,00mm, complete with rings, pin and clips 2nd oversize  | 167,98 € | 199,90 € |
| 11a_012o | 1335656 | Piston for BMW R60/5, R60/6 and R60/7 - 73,50mm (73,46mm) standard measure, complete with rings, pin and clips               | 184,87 € | 220,00 € |
| 11a_012p | 1335659 | Piston for BMW R60/5, R60/6 and R60/7 - 74,00mm (73,96mm) 1st oversize, complete with rings, pin and clips                   | 184,87 € | 220,00 € |



|           |         |  |          |          |
|-----------|---------|--|----------|----------|
| 11a_012q  | 1338058 | Piston for BMW R65 and R65GS, 1:8,4, complete with rings, pin and clips 27PS, for Nicasil-barrel             | 142,77 € | 169,90 € |
| 11a_012r  | 1335658 | Piston for BMW R60/5, R60/6 and R60/7 - 74,50mm (74,46mm) 2nd oversize, complete with rings, pin and clips   | 176,39 € | 209,90 € |
| 11a_012r  | 1335049 | Piston for BMW R65, 1:9.2 - 82,00mm, complete with rings, pin and clips 45PS, for cast-iron sleeve           | 146,72 € | 174,60 € |
| 11a_012s  | 1335052 | Piston for BMW R65, 1:9:2 - 82,25mm, complete with rings, pin and clips 45PS, for cast-iron sleeve           | 146,72 € | 174,60 € |
| 11a_012t  | 1335066 | Piston for BMW R65, 1:9:2 - 82,50mm, complete with rings, pin and clips 45PS, for cast-iron sleeve           | 146,72 € | 174,60 € |
| 11a_012ta | 1337261 | Piston for BMW R65, R65T and R65LS, 1:9:2 - 82,00mm (81,97mm) Nikasil, complete with rings, pin and clips    | 167,98 € | 199,90 € |
| 11a_012u  | 1253161 | Piston for BMW R75/5, R75/6 and R75/7 - 82.00mm (81,965mm) complete with rings, pin and clips                | 142,02 € | 169,00 € |
| 11a_012v  | 1253163 | Piston for BMW R75/5, R75/6 and R75/7 - 82.50mm 2nd oversize, complete with rings, pin and clips             | 142,02 € | 169,00 € |
| 11a_012w  | 1253167 | Piston for BMW R75/5, R75/6 and R75/7 - 83,00mm complete with rings, pin and clips                           | 142,02 € | 169,00 € |
| 11a_012x  | 1253169 | Piston for BMW R75/5, R75/6 and R75/7 - 83,50mm (83,495mm) complete with rings, pin and clips                | 142,02 € | 169,00 € |
| 11a_012z  | 1259871 | Piston for BMW R90S - 90,00mm, complete with rings, pin and clips standard measure                           | 184,79 € | 219,90 € |
| 11a_012za | 1259875 | Piston for BMW R90S - 90,50mm (90,475mm), complete with rings, pin and clips 1st oversize                    | 184,79 € | 219,90 € |
| 11a_014   | 1254339 | Piston ring for BMW R50/5 - 68,00mm, compression 2nd ring  | 7,98 €   | 9,50 €   |
| 11a_015   | 1014547 | Piston ring - 73,50mm, compression 1st ring, chrome plated, 1,75mm   | 7,80 €   | 9,28 €   |
| 11a_015   | 1254341 | Piston ring for BMW R50/5 - 67,50mm, oil scraper ring  | 10,25 €  | 12,20 €  |
| 11a_015a  | 1254342 | Piston ring - 68,00mm, oil scraper ring also for BMW R50/5   | 10,25 €  | 12,20 €  |
| 11a_015a  | 1245363 | Piston ring for BMW R60/5 and R60/6 - 74,50mm, compression 1st ring  | 7,98 €   | 9,50 €   |
| 11a_015b  | 1245365 | Piston ring for BMW R60/5 and R60/6 - 74,50mm, compression 2nd ring  | 7,98 €   | 9,50 €   |
| 11a_015c  | 1245367 | Piston ring for BMW R605 and R60/6 - 74,50mm, oil scraper ring   | 10,25 €  | 12,20 €  |
| 11a_016   | 1335217 | Piston ring set for BMW R80/7, years of manufacture 1977-1980 - 84,40mm standard measure                     | 36,05 €  | 42,90 €  |
| 11a_016   | 1335218 | Piston ring set for BMW R80/7, years of manufacture 1977-1980 - 84,65mm (+ 0,25) 1st oversize                | 37,10 €  | 44,15 €  |
| 11a_016a  | 1256470 | Piston ring set for BMW R50/5 - 67,00mm standard measure   | 36,05 €  | 42,90 €  |
| 11a_016a  | 1335219 | Piston ring set for BMW R80/7, years of manufacture 1977-1980 - 84,90mm (+ 0,50) 2nd oversize                | 36,05 €  | 42,90 €  |
| 11a_016ac | 1256472 | Piston ring set for BMW R50/5 - 68,00mm 2nd oversize   | 36,05 €  | 42,90 €  |
| 11a_016b  | 1337399 | Piston ring set for BMW R100 from year of manufacture 09/1980 - 94,00mm Nicasil                              | 35,63 €  | 42,40 €  |
| 11a_016b  | 1337400 | Piston ring set for BMW R45 from year of manufacture 09/1980 - 70,00mm Nicasil                               | 41,93 €  | 49,90 €  |
| 11a_016c  | 1335284 | Piston ring set für BMW R45 - 70,00mm standard measure   | 35,21 €  | 41,90 €  |
| 11a_016d  | 1337398 | Piston ring set for BMW R80 from year of manufacture 1981 - 84,80mm for Nicasil                              | 37,73 €  | 44,90 €  |
| 11a_016d  | 1335285 | Piston ring set for BMW R45 - 70,25mm 1st oversize   | 25,17 €  | 29,95 €  |
| 11a_016e  | 1265506 | Piston ring set for BMW R100 until year of manufacture 09/1980 - 94,25mm for cast iron barrel, 1st oversize  | 33,53 €  | 39,90 €  |
| 11a_016f  | 1256477 | Piston ring set for BMW R65 and R75/5-R75/7 - 82,00mm standard measure                                       | 39,20 €  | 46,65 €  |
| 11a_016g  | 1256478 | Piston ring set for BMW R65 and R75/5-R75/7 - 82,50mm 1st oversize   | 37,73 €  | 44,90 €  |
| 11a_016h  | 1259854 | Piston ring set for BMW R90/6 and R90S - 90,50mm 1st oversize  | 36,93 €  | 43,95 €  |
| 11a_016h  | 1256479 | Piston ring set for BMW R65 and R75/5-R75/7 - 83,00mm 2nd oversize   | 36,05 €  | 42,90 €  |
| 11a_016i  | 1259855 | Piston ring set for BMW R90/6 and R90S - 91,00mm 2nd oversize  | 37,77 €  | 44,95 €  |
| 11a_016j  | 1259853 | Piston ring set for BMW R90/6 and R90S - 90,00mm standard measure  | 37,86 €  | 45,05 €  |
| 11a_016l  | 1337401 | Piston ring set for BMW R65 - 82,00mm for Nicasil  | 39,83 €  | 47,40 €  |
| 11a_016m  | 1265505 | Piston ring set for BMW R100 until year of manufacture 1981 - 94,00mm for cast iron barrel, standard measure | 35,25 €  | 41,95 €  |
| 11a_016n  | 1265507 | Piston ring set for BMW R100 until year of manufacture 1981 - 94,50mm 1st over size, for cast iron barrel    | 33,53 €  | 39,90 €  |
| 11a_016o  | 1256473 | Piston ring set for BMW R60/5-R60/7 - 73,50mm standard measure   | 34,54 €  | 41,10 €  |
| 11a_016p  | 1256474 | Piston ring set for BMW R60/5-R60/7 - 74,00mm 1st oversize   | 33,53 €  | 39,90 €  |
| 11a_017   | 1335474 | Piston pin for BMW R80/7-R100RT until year of manufacture 1995 22x13x74,31mm                                 | 22,02 €  | 26,20 €  |
| 11a_017   | 1257078 | Piston pin for BMW R75/5 22x18x69mm - for racing use, extra light  | 28,07 €  | 33,40 €  |
| 11a_017   | 1253170 | Piston pin for BMW R75/5, R75/6 and R75/7 22x14x69mm   | 28,07 €  | 33,40 €  |
| 11a_017a  | 1254333 | Piston pin for BMW R50/5 22x15x54mm  | 20,97 €  | 24,95 €  |
| 11a_018a  | 9934460 | Piston pin retainer for BMW R45, R50/5-R90/6, R65 and R65GS 22mm   | 0,80 €   | 0,95 €   |
| 11a_018b  | 1335476 | Piston pin retainer - 22x1,75mm for BMW R80/7-R100RT, from year of manufacture 09/1977                       | 2,10 €   | 2,50 €   |
| 11a_018c  | 1265623 | Piston pin retainer for BMW R100/7 22mm  | 1,93 €   | 2,30 €   |
| 11a_019a  | 50214   | Push rod tube for R50/5-R90S up to year 08/75 stainless steel  | 13,36 €  | 15,90 €  |
| 11a_019a  | 1250214 | Push rod tube for R50/5-R90S up to year 08/75  | 25,17 €  | 29,95 €  |
| 11a_019b  | 62904   | Push rod tube for Nicasil cylinder from year 08/80 and later   | 21,81 €  | 25,95 €  |
| 11a_019c  | 35277   | Push rod tube for R45, R65 stainless steel, polished   | 13,36 €  | 15,90 €  |
| 11a_019d  | 1262904 | Push rod tube from year 08/75 and later stainless steel  | 14,20 €  | 16,90 €  |





|           |         |  |          |          |
|-----------|---------|--|----------|----------|
| 11a_020a  | 2032    | Push rod rubber seal R50/5-R90S ->09/75  | 1,85 €   | 2,20 €   |
| 11a_020b  | 35090   | Push rod rubber seal R45/65  | 3,28 €   | 3,90 €   |
| 11a_020c  | 3032    | Push rod rubber seal R60/6-R100, 08/75->   | 1,85 €   | 2,20 €   |
| 11a_021   | 1261672 | Cylinder head gasket for BMW R50/5-75/7, R90/6, R90S, R45/R65 and R80-R80GS  | 7,35 €   | 8,75 €   |
| 11a_021a  | 55002   | Cylinder base gasket for BMW R50/5-R100, R45 nd R65 made of special seal paper no oil dust!!!  | 2,69 €   | 3,20 €   |
| 11a_021b  | 1255001 | Cylinder base gasket for BMW R50/5-R100 until year of manufacture 08/1976, aluminium, 1,15mm   | 3,11 €   | 3,70 €   |
| 11a_021c  | 1335650 | Cylinder base gasket, 96"ROZ" for BMW R60 and R60/7 from year of manufacture 09/1976 lowering compaction, aluminium, 0,6mm                               | 6,64 €   | 7,90 €   |
| 11a_021d  | 1257092 | Cylinder base gasketfor BMW R50/5, R60/5 and R75/5 until year 08/1976, aluminium, 1,15mm   | 2,94 €   | 3,50 €   |
| 11a_021e  | 1338715 | Cylinder head gasket for BMW R100 and ONLY FOR R80-Egypt until year of manufacture 1985  | 7,35 €   | 8,75 €   |
| 11a_022a  | 337567  | O-ring cylinder base for BMW R60/6-R100, big 93,0 x 2,2mm (replaced 93,0 x 2,0mm)  | 2,86 €   | 3,40 €   |
| 11a_023   | 62141   | O-ring cylinder base for BMW R60/6-R100, small   | 0,63 €   | 0,75 €   |
| 11a_024   | 65176   | Cylinder-head R100RS left ->81, new without valve (for 40er carburetor)  | 378,45 € | 450,36 € |
| 11a_024   | 1262960 | Cylinder-head R60/5, R60/6 left, new without valves  | 270,00 € | 321,30 € |
| 11a_024   | 98502   | Threat insert for long spark plug, for BMW R50/2, R60/2 and R69S   | 5,00 €   | 5,95 €   |
| 11a_024a  | 29030   | Cylinder-head rebuild-job R69S, R60/5-R80/7 Sent in ALL parts!   | 120,00 € | 142,80 € |
| 11a_024b  | 29032   | Cylinder-head rebuild-job R90/6-R100 Sent in ALL parts!  | 135,00 € | 160,65 € |
| 11a_024c  | 33030   | Cylinder-head rebuild-job R45/65 complete w/reinforced exhaust valves  | 130,00 € | 154,70 € |
| 11a_024d  | 1337870 | Cylinder-head R80 RH, w/out valves   | 445,34 € | 529,95 € |
| 11a_024e  | 1337869 | Cylinder-head R80 LH, w/out valves   | 445,34 € | 529,95 € |
| 11a_024f  | 35224   | Cylinder-head R65 ->81, right, without valves  | 284,87 € | 339,00 € |
| 11a_024g  | 35222   | Cylinder-head R45 new, without valves  | 235,19 € | 279,88 € |
| 11a_024h  | 1253158 | Cylinder-head R50/5 left new, without valves   | 277,23 € | 329,90 € |
| 11a_024h  | 32030   | Cylinder-head rebuild-job, R45/R65, only with 8mm ex-valve   | 98,28 €  | 116,95 € |
| 11a_024i  | 1253155 | Cylinder-head R50/5 right, new, without valves   | 255,13 € | 303,60 € |
| 11a_024m  | 1262852 | Cylinder-head R90S right, new, without valves  | 420,17 € | 500,00 € |
| 11a_024n  | 65175   | Cylinder-head R100RS right ->81, new without valve (for 40er carburetor)   | 487,40 € | 580,01 € |
| 11a_024x  | 1337818 | Rubber plug for cylinder head for BMW R100   | 0,84 €   | 1,00 €   |
| 11a_024z  | 98501   | Thread insert for short spark plug   | 4,16 €   | 4,95 €   |
| 11a_025a  | 00095   | Valve seat replacing (incl. work)  | 100,84 € | 120,00 € |
| 11a_026c  | 2325741 | Exhaust valve seat R100 + 0.2  | 20,42 €  | 24,30 €  |
| 11a_026d  | 1265647 | Intake vale seat R100 +0.2   | 18,99 €  | 22,60 €  |
| 11a_027   | 1068    | Repair of exhaust thread (when a rest of your old thread still exists)   | 107,56 € | 128,00 € |
| 11a_030a  | 10029   | Valve guide 8mm, 14... (oversize) with lock ring   | 6,81 €   | 8,10 €   |
| 11a_030a  | 1002926 | Valve guide 8mm, 14,26 (oversize) R50/5-R100GS with lock ring  | 10,17 €  | 12,10 €  |
| 11a_030b  | 38709   | Valve guide R45/65 intake, 7mm/14.10mm   | 10,50 €  | 12,50 €  |
| 11a_030c  | 1335569 | Valve guide R45/65 intake, 7mm/14.20mm   | 10,13 €  | 12,05 €  |
| 11a_031   | 999003  | Valve guide lock ring 14mm   | 0,29 €   | 0,35 €   |
| 11a_032   | 08142   | Dowel pin for valve cover R68-R69S, R50/5-R100 (center)  | 3,19 €   | 3,80 €   |
| 11a_033   | 1261405 | Rocker arm mount spacer for BMW R60/6-R100 from year of manufacture 09/1975 and R45/R65 from 01/1985   | 8,32 €   | 9,90 €   |
| 11a_034   | 1250232 | Push rod tube for R50/5-R90S up to year 09/75 for cylinder head, original BMW  | 9,16 €   | 10,90 €  |
| 11a_035a  | 36872   | Washer for cylinder head mount R50/5->   | 2,48 €   | 2,95 €   |
| 11a_035a  | 62302   | Nut for cylinder head/rocker arm for BMW from year of manufacture 09/1975 and from BMW R60/6   | 2,10 €   | 2,50 €   |
| 11a_035b  | 63903   | Nut for outer cylinder head for BMW R50/5 and up, wrench size 15   | 0,76 €   | 0,90 €   |
| 11a_035c  | 1261775 | Nut for cylinder head/rocker arm for BMW R50/5-R90S until year of manufacture 08/1975  | 5,21 €   | 6,20 €   |
| 11a_036a  | 1250237 | Rocker arm bracket for BMW R50/5, R60/5 and R75/5  | 24,54 €  | 29,20 €  |
| 11a_036b  | 1258264 | Rocker arm support for BMW R60/6-R100 from 09/1975, R45, R65 from 01/1984 old version, bottom moulded  | 13,36 €  | 15,90 €  |
| 11a_036c  | 1337867 | Rocker arm support for BMW R60/6-R100 from 09/1975, R65 and R80 from 01/1985 R65GS-R100GS from 09/1980, R100RS/RT from 01/1987, R80R, R100R, new version | 14,24 €  | 16,95 €  |
| 11a_036d  | 1261773 | Rocker arm bracket for BMW R60/6-R90S, years of manufacture 09/1973-09/1975  | 25,00 €  | 29,75 €  |
| 11a_036e  | 1337868 | Washer, rocker arm bracket for BMW from year of manufacture 09/1975  | 0,69 €   | 0,82 €   |
| 11a_037   | 1254840 | Distance sleeve, rocker arm bracket for BMW R50/5-R75/5, years of manufacture 02/1970-08/1972  | 6,30 €   | 7,50 €   |
| 11a_038a  | 60470   | O-ring rocker arm for BMW R50/5, R60/5 and R75/5   | 1,60 €   | 1,90 €   |
| 11a_040   | 1262250 | Valve cover black RH R80GS, R100GS, RS   | 63,61 €  | 75,70 €  |
| 11a_040   | 1262248 | Valve cover black LH R80GS, R100GS, RS   | 63,61 €  | 75,70 €  |
| 11a_040a  | 3161200 | Valve cover set for BMW R50/5-R100R, chrome-plated with dowel pins   | 137,94 € | 164,15 € |
| 11a_040b  | 50243   | Valve cover R50/5->, repro (outside screwable)   | 41,93 €  | 49,90 €  |
| 11a_040bb | 9998215 | Screw for valve cover, allen-head  | 0,55 €   | 0,65 €   |



|          |         |  |          |            |
|----------|---------|--|----------|------------|
| 11a_040c | 50241   | Valve cover R50/5-> repro  | 35,97 €  | 42,80 €    |
| 11a_040d | 50240   | Valve cover R50/5->, Original BMW  | 66,64 €  | 79,30 €    |
| 11a_040e | 12243   | Valve cover R50/5->, polished  | 142,77 € | 169,90 €   |
| 11a_040f | 63761   | Valve cover R60/7-R100 RH  | 58,74 €  | 69,90 €    |
| 11a_040f | 63762   | Valve cover R60/7-R100 LH  | 58,74 €  | 69,90 €    |
| 11a_041  | 19054   | Valve cover gasket   | 3,19 €   | 3,80 €     |
| 11a_042  | 102001  | Chrome nut for valve cover R51/3-R69S  | 3,32 €   | 3,95 €     |
| 11a_044  | 62638   | Tappet R50/5-R100  | 53,11 €  | 63,20 €    |
| 11a_044a | 1335087 | Tappet R45/65  | 35,63 €  | 42,40 €    |
| 11a_045b | 62907   | Push rod 09/75->   | 31,01 €  | 36,90 €    |
| 11a_045c | 1335088 | Pushrod R45/R65LS 78->85, R65 80->92, 85->95 REMNANTS  | 28,15 €  | 33,50 €    |
| 11a_046  | 34178   | Valve adjusting screw R68-R100   | 4,12 €   | 4,90 €     |
| 11a_046a | 2311726 | Distance ring engine for BMW Models from year of manufacture 09/1969 until 08/1980                                   | 6,64 €   | 7,90 €     |
| 11a_048  | 1250239 | Thrust-ring for rocker arm for BMW R50/5-R75/5   | 6,70 €   | 7,97 €     |
| 11a_049a | 1250259 | Rocker arm for BMW R50/5, R60/5 and R75/5 until year of manufacture 09/1973 intake - left side, exhaust - right side | 87,98 €  | 104,70 €   |
| 11a_049c | 1337713 | Rocker arm for BMW R60/6-R100 from year of manufacture 09/1975 intake – left side, exhaust - right side              | 62,98 €  | 74,95 €    |
| 11a_049d | 1337715 | Rocker arm for BMW R60/6-R100 from year of manufacture 09/1975 intake – right side, exhaust - left side              | 62,98 €  | 74,95 €    |
| 11a_049f | 1257924 | Rocker arm for BMW R60/6-R90S, years of manufacture 09/1973-09/1975 intake - right side, exhaust - left side         | 53,70 €  | 63,90 €    |
| 11a_050  | 34128   | Valve adjusting nut  | 0,42 €   | 0,50 €     |
| 11a_051  | 1252628 | Bushing, rocker arm for BMW R50/5-R75/5  | 5,67 €   | 6,75 €     |
| 11a_052  | 1251346 | Rocker arm shaft for BMW R50/5, R60/5 and R75/5  | 32,94 €  | 39,20 €    |
| 11a_053  | 1257825 | Thrust washer for rocker arm for BMW R50/5-R75/5   | 1,68 €   | 2,00 €     |
| 11a_054a | 1250234 | Intake valve for BMW R75/5-R100, 42mm  | 22,69 €  | 27,00 €    |
| 11a_054b | 26151   | Intake valve for BMW R68-R69S and R60/5-60/7, 38mm triple groove   | 29,75 €  | 35,40 €    |
| 11a_054c | 1336903 | Intake valve for BMW R65, 40mm 7mm shaft   | 41,93 €  | 49,90 €    |
| 11a_054d | 56678   | Intake valve for BMW R65, 38mm 7mm shaft   | 27,52 €  | 32,75 €    |
| 11a_054e | 1253118 | Intake valve for BMW R50/5, 34mm   | 19,33 €  | 23,00 €    |
| 11a_054f | 1335091 | Intake valve for BMW R45, 34mm 7mm and R65/20kw version  | 22,02 €  | 26,20 €    |
| 11a_054g | 1261751 | Intake valve for BMW R100 from year of manufacture 09/1978, 44mm and R80 (government version) Egyptian               | 25,84 €  | 30,75 €    |
| 11a_054g | 1338285 | Exhaust valve for BMW R80 and R100 from year of manufacture 1987, 40mm, 30°  | 44,75 €  | 53,25 €    |
| 11a_055a | 1335093 | Exhaust valve for BMW R45 and R65 with 8mm-neck, 32mm  | 44,75 €  | 53,25 €    |
| 11a_055b | 1253119 | Exhaust valve for BMW R50/5, with 8mm-neck, 32mm   | 58,74 €  | 69,90 €    |
| 11a_055c | 1336899 | Exhaust valve for BMW R65 from year of manufacture 09/1980, with 7mm-neck, 34mm 37KW/50PS                            | 36,39 €  | 43,30 €    |
| 11a_055c | 1335094 | Exhaust valve for BMW R65 until year of manufacture 09/1980, with 7mm-neck, 34mm                                     | 29,33 €  | 34,90 €    |
| 11a_055d | 56679   | Exhaust valve for BMW R68-R69S and R60/5/6/7, triple groove, 34mm  | 43,61 €  | 51,90 €    |
| 11a_055e | 1337453 | Exhaust valve for BMW R75/5-R80, 38mm  | 30,25 €  | 36,00 €    |
| 11a_055f | 1257837 | Exhaust valve for BMW R90 and R100, 40mm, 45°  | 46,18 €  | 54,95 €    |
| 11a_056  | 50233   | Lower valve lock plate R50/5-R100 R68-R69S new system  | 3,28 €   | 3,90 €     |
| 11a_057a | 13018   | Valve spring R50/5-R100 & R68-69S new system   | 4,87 €   | 5,80 €     |
| 11a_058  | 56554   | Upper valve lock plate R50/5-R100 R68-R69S new system  | 4,12 €   | 4,90 €     |
| 11a_059a | 26724   | Valve keeper R50/5-R100, R68-69S, tripple groove new system  | 1,47 €   | 1,75 €     |
| 11a_059b | 07136   | Valve keeper R45/65  | 0,97 €   | 1,15 €     |
| 11a_060a | 38151   | Conrod for R50/5-R100  | 141,68 € | 168,60 €   |
| 11a_060a | 1338161 | Conrod for R50/5-R100  | 95,80 €  | 114,00 €   |
| 11a_060b | 59739   | Conrod for R50/5-R100 overhauled in exchange   | 56,26 €  | 66,95 €    |
| 11a_061a | 58460   | Conrod bearing shell R50/5->, standard size ( you need 4 pcs. for 1 bike! )  | 7,52 €   | 8,95 €     |
| 11a_061b | 58419   | Conrod bearing shell +0.25, R50/5-> ( you need 4 pcs. for 1 bike! )  | 7,52 €   | 8,95 €     |
| 11a_061c | 58420   | Conrod bearing shell +0.50 R50/5-> ( you need 4 pcs. for 1 bike! )   | 7,52 €   | 8,95 €     |
| 11a_061d | 58421   | Conrod bearing shell +0.75 R50/5-> ( you need 4 pcs. for 1 bike! )   | 9,66 €   | 11,50 €    |
| 11a_062  | 50196   | Conrod screw R50/5->   | 4,96 €   | 5,90 €     |
| 11a_063  | 38456   | Piston pin bushing for BMW R50/5-R100 from year of manufacture 09/1969 22mm  | 7,39 €   | 8,80 €     |
| 11a_064a | 80303   | Costs for repair of bad bearing seat   | 89,03 €  | 105,95 €   |
| 11a_064b | 1336439 | Crankshaft for BMW R45 and R65 NEW   | 494,96 € | 589,00 €   |
| 11a_064c | 1336774 | Crankshaft for BMW R50/5, R60/5 and R75/5 WITHOUT plugs, WITHOUT conrod, IN EXCHANGE                                 | 394,87 € | 469,90 €   |
| 11a_064d | 338171  | Crankshaft for BMW R60/6-R100 from year of manufacture 09/1975 without conrod, threat: M11x1.5, IN EXCHANGE          | 394,87 € | 469,90 €   |
| 11a_064e | 1338172 | Crankshaft for BMW R60/6-R90S until year of manufacture 09/1975 without conrod, threat: M10x1, NEW                   | 974,79 € | 1.160,00 € |
| 11a_064e | 0038172 | Crankshaft for BMW R60/6-R100/7 from year of manufacture 09/1975 without conrod, threat: M10x1, IN EXCHANGE          | 394,87 € | 469,90 €   |



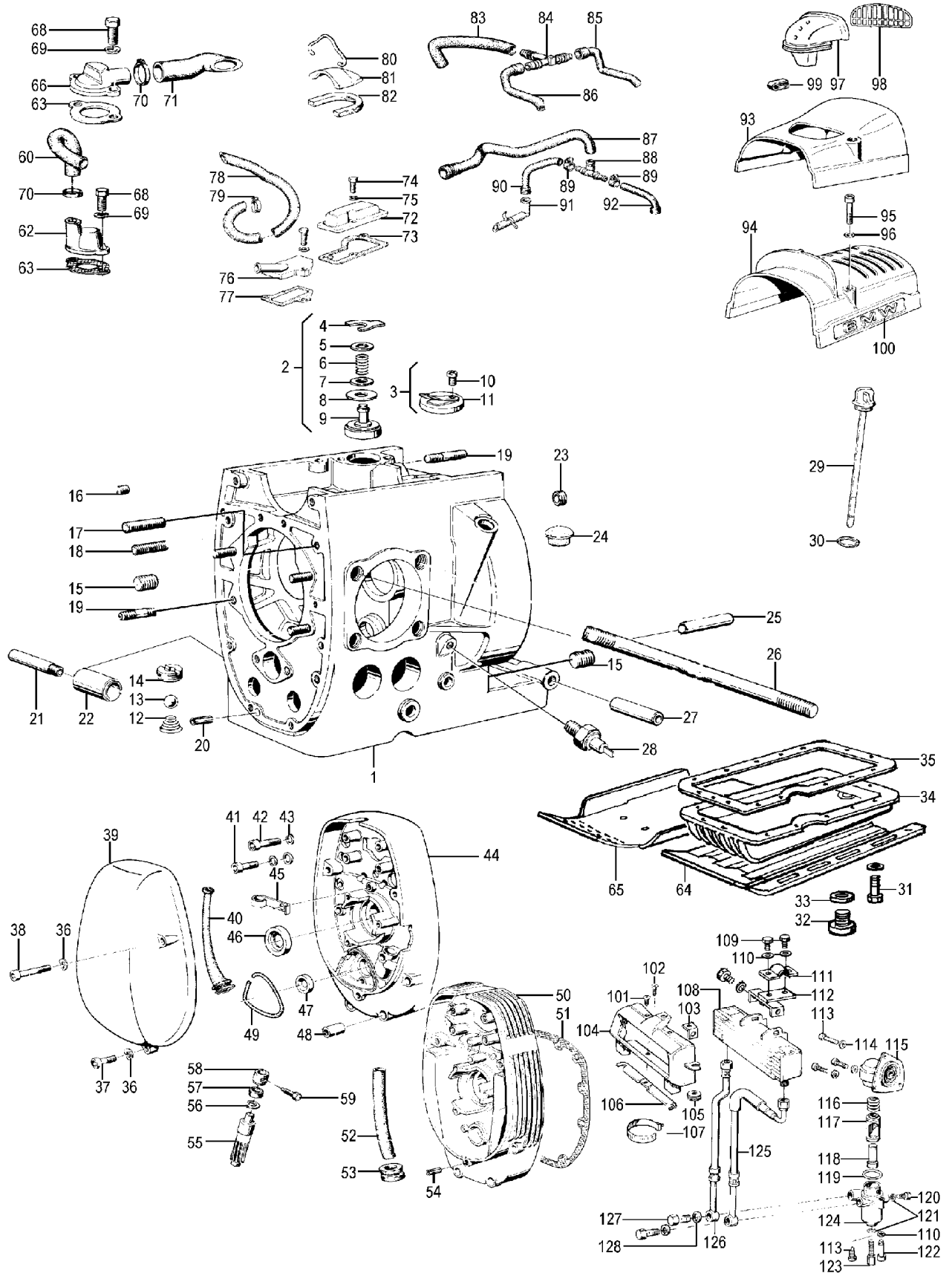
|          |         |  |          |            |
|----------|---------|--|----------|------------|
| 11a_064f | 1338171 | Crankshaft for BMW R60/6-R100/7 from year of manufacture 09/1975 without conrod, thread: M11x1.5, NEW                              | 974,79 € | 1.160,00 € |
| 11a_066a | 1250155 | Crankshaft main bearing for BMW R50/5-R100, standard, red  | 31,51 €  | 37,50 €    |
| 11a_066b | 1254788 | Crankshaft main bearing for BMW R50/5-R100, +0.25mm  | 46,22 €  | 55,00 €    |
| 11a_066c | 1254789 | Crankshaft main bearing for BMW R50/5-R100, +0.50mm  | 46,30 €  | 55,10 €    |
| 11a_066d | 1255288 | Crankshaft main bearing for BMW R50/5-R100, +0.75mm  | 31,51 €  | 37,50 €    |
| 11a_066e | 1265437 | Crankshaft main bearing for BMW R50/5-R100, standard, green  | 48,99 €  | 58,30 €    |
| 11a_066f | 1255285 | Crankshaft main bearing for BMW R50/5-R100, standard, blue   | 44,45 €  | 52,90 €    |
| 11a_067a | 51598   | Intake flange R50/5-60/7   | 37,73 €  | 44,90 €    |
| 11a_067b | 57396   | Intake flange R75/5-90/6   | 33,53 €  | 39,90 €    |
| 11a_067c | 1262620 | Intake flange R100, 76-84  | 20,97 €  | 24,95 €    |
| 11a_067c | 1259819 | Intake flange R90S   | 14,54 €  | 17,30 €    |
| 11a_068  | 9981722 | Bearing crankshaft for BMW R50/5 and up  | 13,40 €  | 15,95 €    |
| 11a_069a | 1256974 | Thrust washer crankshaft for BMW R50/5-R100 blue   | 29,58 €  | 35,20 €    |
| 11a_069b | 1256976 | Thrust washer crankshaft for BMW R50/5-R100 yellow   | 29,58 €  | 35,20 €    |
| 11a_069c | 1256975 | Thrust washer crankshaft for BMW R50/5-R100 green  | 28,49 €  | 33,90 €    |
| 11a_069d | 1256973 | Thrust washer crankshaft for BMW R50/5-R100 red  | 28,49 €  | 33,90 €    |
| 11a_072a | 38342   | Seal-ring, crankshaft rear R50/5-R100 (rubber)   | 13,07 €  | 15,55 €    |
| 11a_072b | 61739   | Seal-ring crankshaft rear R50/5-R100 (Teflon)  | 15,88 €  | 18,90 €    |
| 11a_073  | 37099   | O-ring fly wheel for BMW R60/6-R100  | 3,28 €   | 3,90 €     |
| 11a_074  | 1337284 | Crankshaft jacket, rear, 80->  | 56,22 €  | 66,90 €    |
| 11a_077  | 38722   | Flywheel 1981-> (light clutch)   | 146,89 € | 174,80 €   |
| 11a_077b | 1262070 | Flywheel R60/6-R90S, M11x1,5, 09/75->  | 212,52 € | 252,90 €   |
| 11a_077c | 1336380 | Flywheel R60/7-R100RT  | 214,20 € | 254,90 €   |
| 11a_078a | 16759   | Fly wheel screw R50/5-R75/5  | 3,53 €   | 4,20 €     |
| 11a_078b | 57796   | Flywheel screw R60/6-R100 10x1, ->76   | 6,01 €   | 7,15 €     |
| 11a_078c | 262060  | Flywheel screw R60/6-R100 11x1.5, 76->   | 3,61 €   | 4,30 €     |
| 11a_079a | 54217   | Camshaft R50/5, R60/5  | 147,06 € | 175,00 €   |
| 11a_079b | 62999   | Camshaft for BMW R60, R60/6 and R60/7 for two area oil pump wheel  | 165,46 € | 196,90 €   |
| 11a_079c | 59264   | Camshaft for BMW R75/5-R90S until year of manufacture 09/1975, 308°  | 192,02 € | 228,50 €   |
| 11a_079d | 1337843 | Camshaft R75/6-R100 09/75->09/78, 308° G/S up from 09/80->   | 192,02 € | 228,50 €   |
| 11a_079d | 1258053 | Camshaft for BMW R75/5-R90S until year of manufacture 09/1975, 336° Sport-camshaft   | 184,87 € | 220,00 €   |
| 11a_079e | 1259262 | Camshaft for BMW R50/5 and R60/5 replacement for article 54217, OLNLY in connection with article 35194                             | 156,00 € | 185,64 €   |
| 11a_080  | 51480   | Woodruff key for crankshaft R51/3-R100 front, crank shaft rear R24-R25/2, camshaft R50/5->   | 1,51 €   | 1,80 €     |
| 11a_081  | 1250251 | Flange bearing camshaft for BMW R50/5-R100   | 22,65 €  | 26,95 €    |
| 11a_082a | 00869   | Mounting-screw for camshaft until year of manufacture 09/1976  | 0,42 €   | 0,50 €     |
| 11a_082b | 63853   | Mounting-screw for camshaft from year of manufacture 1976-1981   | 1,60 €   | 1,90 €     |
| 11a_082c | 37107   | Mounting-screw camshaft for BMW R60/6-R100 until year of manufacture 1995  | 4,37 €   | 5,20 €     |
| 11a_083a | 1250198 | Chain wheel crankshaft, duplex for BMW R50/5-R100 until year of manufacture 09/1978  | 91,43 €  | 108,80 €   |
| 11a_083b | 1335586 | Chain wheel crankshaft simplex for BMW R60/7-R100, R45 and R65, years of manufacture 09/1978-08/1995                               | 28,91 €  | 34,40 €    |
| 11a_084  | 1335588 | Chain wheel, camshaft, simplex for BMW models from year of manufacture 09/1978   | 41,01 €  | 48,80 €    |
| 11a_085  | 1250253 | Chain wheel camshaft, duplex for BMW R50/5-R100, years of manufacture 09/1969-09/1978  | 71,39 €  | 84,95 €    |
| 11a_086a | 35934   | Timing chain for BMW R60/7-R100, simplex from year of manufacture sep/1978 (fits also for R50/5-R100 till aug/78)                  | 8,57 €   | 10,20 €    |
| 11a_086b | 50258   | Timing chain for BMW R50/5-R100, Duplex with master link up to year of manufacture aug/1980  | 21,51 €  | 25,60 €    |
| 11a_088  | 1265455 | Chain tensioner, duplex for BMW R50/5 until year of manufacture 09/1978  | 34,62 €  | 41,20 €    |
| 11a_089  | 1253188 | Chain tensioner spring for BMW R50/5 until year of manufacture 09/1978   | 4,03 €   | 4,80 €     |
| 11a_090  | 32841   | Lock ring for chain tensioner for R50/5-R100 until year of manufacture 1979 and gear for BMW R60/6-R100                            | 0,55 €   | 0,65 €     |
| 11a_091  | 1338185 | Chain tensioner, simplex for BMW models from year of manufacture 09/1978   | 6,68 €   | 7,95 €     |
| 11a_092  | 1335579 | Chain tensioner pressure piston for BMW models from year of manufacture 09/1978  | 4,12 €   | 4,90 €     |
| 11a_093  | 1335584 | Chain tensioner spring, simplex for BMW models from year of manufacture 09/1978  | 4,87 €   | 5,80 €     |
| 11a_094  | 1335576 | Chain tensioner slide rail for BMW models from year of manufacture 09/1978   | 18,07 €  | 21,50 €    |
| 11a_095  | 98201   | Screw M 8x20, hexagon for chain tensioner, simplex for BMW R45 and R65, R60/7-R100 and exhaust pipe holding screw for BMW R50-R69S | 0,17 €   | 0,20 €     |
| 11a_095a | 98177   | Screw M6x60, allen-head  | 0,34 €   | 0,40 €     |
| 11a_095b | 098177  | Screw M6x60, allen-head, stainless   | 0,50 €   | 0,60 €     |
| 11a_096  | 98414   | Washer B 8,4   | 0,06 €   | 0,07 €     |
| 11a_096a | 9931684 | Washer cam shaft wheel, timing chain R45/65, R60-R80RT/GS, R100  | 0,10 €   | 0,12 €     |
| 11a_097a | 58971   | Oil pump inner wheel for BMW R50/5-R100 until year of manufacture 1979 for woodruff key (= article nr.: 51440)                     | 29,33 €  | 34,90 €    |
| 11a_097b | 35194   | Inner oil pump wheel R60/7-R100 79->, w/out 2-area mounting plate  | 30,17 €  | 35,90 €    |



|          |         |   |          |          |
|----------|---------|---|----------|----------|
| 11a_097c | 53294   | Oil pump inner wheel for BMW R50/5, R60/5 and R75/5 for woodruff key<br>(= article nr.: 51414)                                    | 30,17 €  | 35,90 €  |
| 11a_098  | 53293   | Oil pump outer wheel for BMW R50/5-R100   | 84,45 €  | 100,50 € |
| 11a_099  | 51414   | Woodruff key Camshaft R24-27, R51/2, Oilpump R50/5-R90S ->1975  | 1,51 €   | 1,80 €   |
| 11a_100  | 1335896 | O-ring oil pump cover for BMW R50/5-R100  | 3,28 €   | 3,90 €   |
| 11a_101  | 60182   | Oil pump cover for BMW R50/5 and up in connection with M6x16 bolt   | 25,88 €  | 30,80 €  |
| 11a_101a | 1338544 | Oil pump cover for BMW R45 and R65LS-R100 from year of manufacture 09/1980  | 23,95 €  | 28,50 €  |
| 11a_102  | 9913499 | Screw oilpump-cover R60/6-R100RT, 09/76->   | 0,42 €   | 0,50 €   |
| 11a_103  | 98155   | Screw M6x16 hexagon   | 0,13 €   | 0,15 €   |
| 11a_107a | 52280   | Gasket oil pump screen for BMW R50/5-R90S   | 1,60 €   | 1,90 €   |
| 11a_107b | 65258   | Gasket oil pump screen for BMW R60/7-R100   | 1,85 €   | 2,20 €   |
| 11a_112  | 5048    | Oil filter insert for all BMW-models without oil cooler divided   | 8,61 €   | 10,25 €  |
| 11a_112a | 1337570 | Oil filter insert for all BMW-models without oil cooler one-piece   | 8,36 €   | 9,95 €   |
| 11a_112b | 4048    | Oil filter insert for all BMW-models with oil cooler divided  | 9,41 €   | 11,20 €  |
| 11a_113  | 38600   | Oil filter gasket for BMW R50/5-R100  | 0,84 €   | 1,00 €   |
| 11a_114a | 1250285 | O-ring oil filter/dip stick for BMW /5 and R45/R65  | 3,15 €   | 3,75 €   |
| 11a_115  | 98240   | Screw M10x1x20 hexagon  | 0,80 €   | 0,95 €   |
| 11a_116  | 36895   | Oil filter metal gasket for BMW R50/5-R100  | 1,85 €   | 2,20 €   |
| 11a_117  | 37098   | O-ring oil filter cover for BMW R60/6-R100  | 1,30 €   | 1,55 €   |
| 11a_118  | 1263345 | Oil filter cover from BMW /5, without oil cooler  | 22,27 €  | 26,50 €  |
| 11a_121a | 1337720 | Distance washer, rocker arm for BMW models from year of manufacture 09/1975,<br>0,20mm  | 2,86 €   | 3,40 €   |
| 11a_121b | 1337719 | Distance washer, rocker arm for BMW models from year of manufacture 09/1975,<br>0,25mm  | 2,86 €   | 3,40 €   |
| 11a_121c | 1337718 | Distance washer, rocker arm for BMW models from year of manufacture 09/1975,<br>0,30mm  | 2,86 €   | 3,40 €   |
| 11a_121d | 1337721 | Distance washer, rocker arm for BMW models from year of manufacture 09/1975,<br>0,35mm  | 2,86 €   | 3,40 €   |
| 11a_121e | 1338190 | Distance washer, rocker arm for BMW models from year of manufacture 09/1975,<br>0,50mm  | 2,86 €   | 3,40 €   |
| 11a_122  | 1337717 | Rocker arm thrust-bearing for BMW models from year of manufacture 09/1975<br>plastic  | 5,38 €   | 6,40 €   |
| 11a_123  | 61712   | Needle bearing rocker arm for BMW R60/6-R100 and R45/R65  | 22,86 €  | 27,20 €  |
| 11a_126  | 1336942 | Rocker arm shaft for BMW R60/6-R100 from year of manufacture 09/1973 and for<br>BMW R45 and R65 until year of manufacture 01/1985 | 31,01 €  | 36,90 €  |
| 11a_133a | 63342   | Oil filter tube, short, for all BMW-models without oil cooler   | 4,12 €   | 4,90 €   |
| 11a_133b | 35387   | Oil filter tube, long, for all BMW-models with oil cooler   | 15,04 €  | 17,90 €  |
| 11a_45d  | 0035088 | Pushrod R45/R65LS 78->85, R65 80->92, 85->95 used   | 10,00 €  | 11,90 €  |
| 11a_65   | 51480   | Woodruff key for crankshaft R51/3-R100 front, crank shaft rear R24-R25/2,<br>camshaft R50/5->                                     | 1,51 €   | 1,80 €   |
| 11a_77d  | 1256966 | Fly wheel R50/5-R90S M10x1 ->1975   | 193,00 € | 229,67 € |



**Group 11b Engine**



| <u>Picture-No.</u> | <u>Article-No.</u> | <u>Description</u>  | <u>Net</u> | <u>Gross</u> |
|--------------------|--------------------|---|------------|--------------|
| 11b_               | 1335870            | Engine breather tube for BMW R45 and R65 until year of manufacture 09/1984 old housing form | 18,07 €    | 21,50 €      |
| 11b_000            | 024570             | Sealing compound (Elastic gasket grease), 40ml Hylomar M                                    | 4,96 €     | 5,90 €       |
| 11b_003            | 1335712            | Engine breather for BMW R50/5-R100, new version   | 28,32 €    | 33,70 €      |
| 11b_011            | 35711              | Diaphragm engine breather from BMW R50/5 and up   | 1,60 €     | 1,90 €       |



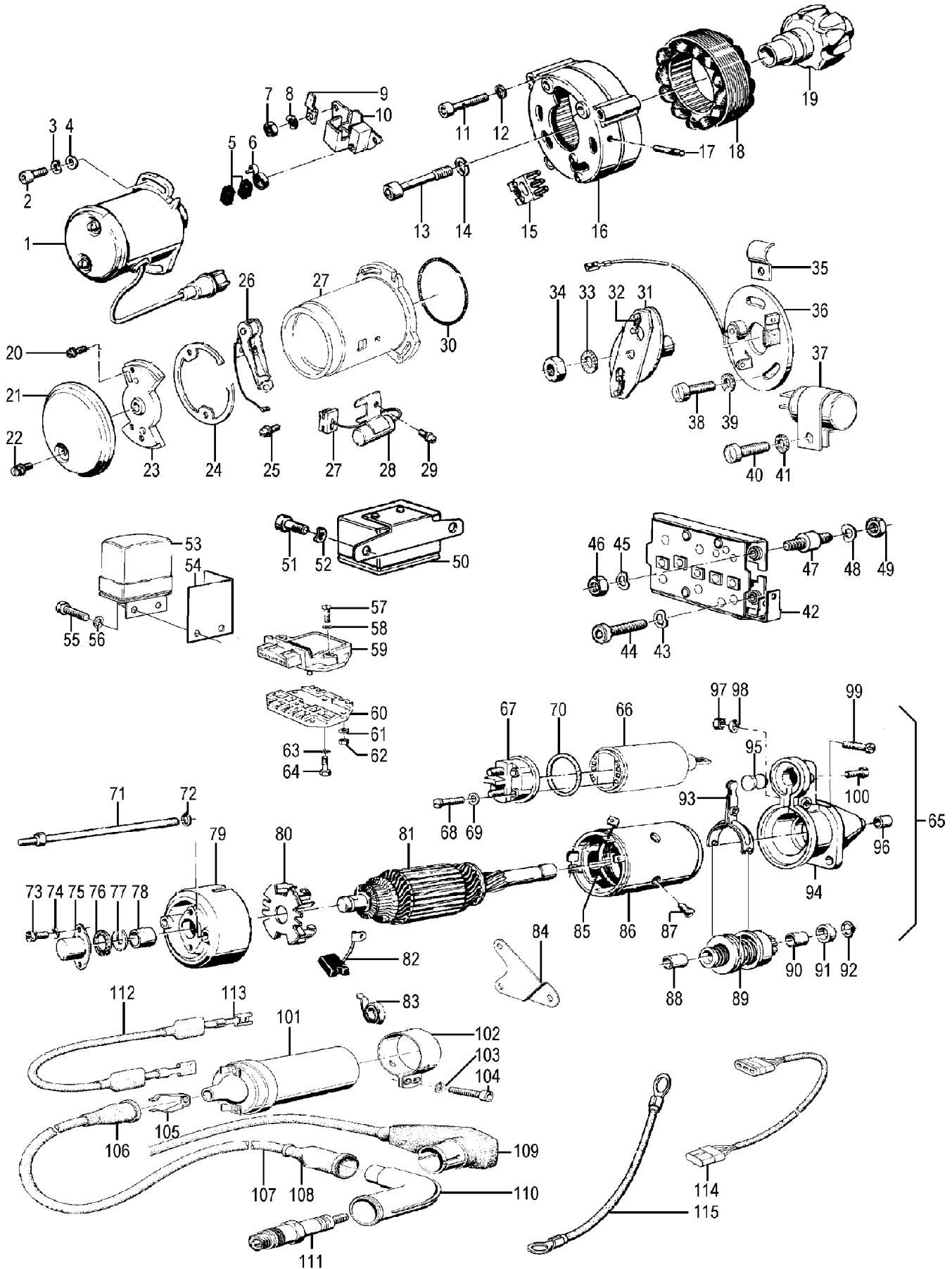
|          |         |   |          |          |
|----------|---------|---|----------|----------|
| 11b_012z | 1258294 | Piston for BMW R90/6, 1:9,0 - 90,475mm, complete with rings, pin and clips 1st oversize   | 189,66 € | 225,70 € |
| 11b_012z | 1259879 | Piston for BMW R90S - 91,00mm (90,985mm +1,0), complete with rings, pin and clips 2nd oversize  | 184,79 € | 219,90 € |
| 11b_012z | 1258295 | Piston for BMW R90/6, 1:9,0 - 90,485mm, complete with rings, pin and clips 1st oversize   | 167,23 € | 199,00 € |
| 11b_017  | 1252310 | Dowel pin M6  | 1,47 €   | 1,75 €   |
| 11b_024a | 01106   | Black rubber plug for timing control hole   | 1,26 €   | 1,50 €   |
| 11b_024b | 43016   | White rubber plug for timing control hole   | 1,26 €   | 1,50 €   |
| 11b_025  | 1250156 | Thrust washer pin for crankshaft for BMW R50/5-R100   | 1,01 €   | 1,20 €   |
| 11b_026a | 9908174 | Dowel pin for cylinder R50/5-R100   | 2,10 €   | 2,50 €   |
| 11b_026b | 57397   | Cylinder bolt, long R50/5->   | 15,88 €  | 18,90 €  |
| 11b_026b | 1335107 | Dowel pin for cylinder R45/65, 269mm  | 15,04 €  | 17,90 €  |
| 11b_026c | 1335108 | Dowel pin for cylinder R45/65, 247mm  | 11,09 €  | 13,20 €  |
| 11b_028a | 51799   | Oil pressure switch for BMW R50/5, R60/5 and R75/5, fine thread   | 7,48 €   | 8,90 €   |
| 11b_028b | 43414   | Oil pressure switch for BMW R60/6-R100R until year of manufacture 1995  | 6,64 €   | 7,90 €   |
| 11b_029a | 37542   | Oil dipstick for BMW R50/5-R100   | 23,11 €  | 27,50 €  |
| 11b_029b | 101056  | Oil temperatur dipstick for BMW R50/5-R100 and R45/R65 length: 275mm  | 37,77 €  | 44,95 €  |
| 11b_029c | 101057  | Oil temperatur dipstick for BMW R50/5-R100 and R45/R65 length: 285mm, for deep oil pan  | 37,77 €  | 44,95 €  |
| 11b_030  | 63420   | Gasket ring oil dipstick also for oil pump cover for BMW R25/3-R27  | 0,50 €   | 0,60 €   |
| 11b_032a | 19124   | Oil drain screw, M18, hexagon   | 2,94 €   | 3,50 €   |
| 11b_032b | 43117   | Oil drain screw, M18, magnetic  | 7,48 €   | 8,90 €   |
| 11b_032c | 912002  | Oil temperature relay M 14 x 1,5  | 12,18 €  | 14,49 €  |
| 11b_032c | 904029  | Oil temperature relay M 16 x 1,5  | 14,57 €  | 17,34 €  |
| 11b_032d | 904031  | Oil temperature relay M18 x 1,5 VDO   | 36,05 €  | 42,90 €  |
| 11b_033  | 63300   | Gasket ring, 18x22x1,5 - aluminium  | 0,25 €   | 0,30 €   |
| 11b_034  | 62723   | Oil pan for BMW R50/5-R100, from year of manufacture 09/1975, medium-sized version in connection with distance piece article nr.: 65590 | 75,00 €  | 89,25 €  |
| 11b_034a | 1337330 | Oil pan for BMW R50/5-R100 until year of manufacture 09/1975 and for BMW R65GS-R100PD years of manufacture 1980-1992                    | 85,97 €  | 102,30 € |
| 11b_034b | 64031   | Oil pan for BMW R50/5-R100 used   | 25,21 €  | 30,00 €  |
| 11b_034c | 1336995 | Oil pan for BMW R45-R100 from year of manufacture 09/1981, big version original BMW   | 81,43 €  | 96,90 €  |
| 11b_034d | 1336996 | Oil pan deep for BMW /5 and up, 3,5ltr, (sportstyp) Models until 09/1980 main stands must be modified                                   | 83,11 €  | 98,90 €  |
| 11b_035  | 8032    | Oil pan gasket for BMW R50/5-R100R, Paper   | 5,13 €   | 6,10 €   |
| 11b_036  | 98454   | Spring washer B 6, DIN137 zincked   | 0,05 €   | 0,06 €   |
| 11b_037  | 98158   | Screw M6x20, allen-head   | 0,25 €   | 0,30 €   |
| 11b_038  | 98177   | Screw M6x60, allen-head   | 0,34 €   | 0,40 €   |
| 11b_039a | 59469   | Generator cover for BMW R50/5-R90S until year of manufacture 09/1975 used   | 67,23 €  | 80,00 €  |
| 11b_039b | 63265   | Generator cover for BMW R60/6-R100 years of manufacture 09/1975-09/1979   | 125,21 € | 149,00 € |
| 11b_039c | 1335024 | Generator cover for BMW R60/7-R100 and R45/R65  | 106,64 € | 126,90 € |
| 11b_040  | 53415   | Ignition points breather hose R50/5-R100 ->1979   | 6,68 €   | 7,95 €   |
| 11b_041  | 98148   | Screw M 6x35 allen head   | 0,23 €   | 0,27 €   |
| 11b_042  | 98168   | Screw M 6x40 allen-head   | 0,25 €   | 0,30 €   |
| 11b_043  | 98410   | Washer B 6,4  | 0,05 €   | 0,06 €   |
| 11b_046  | 55011   | Seal-ring, crankshaft front R50/5-R100  | 4,54 €   | 5,40 €   |
| 11b_047  | 11223   | Seal-ring, camshaft R50/5-R90S >09/75   | 3,36 €   | 4,00 €   |
| 11b_047a | 112231  | Seal-ring camshaft /5 in /6 housing-cover   | 3,49 €   | 4,15 €   |
| 11b_047b | 02197   | Seal-ring crank R50/2-R69S, kick starter R51/3-R68 cam shaft R60/6-R100   | 3,70 €   | 4,40 €   |
| 11b_048  | 52311   | Timing cover nut R50/5-R100, Allen head   | 1,60 €   | 1,90 €   |
| 11b_049  | 65394   | Ignition points gasket R50/5-R100   | 1,60 €   | 1,90 €   |
| 11b_051  | 38428   | Timing cover gasket R50/5-R100R   | 2,94 €   | 3,50 €   |
| 11b_051b | 38429   | Timing cover gasket, "small ring" R50/5-R100R   | 0,21 €   | 0,25 €   |
| 11b_055  | 1250187 | Revolution counter drive from BMW R50/5 and up  | 33,53 €  | 39,90 €  |
| 11b_057  | 56860   | Seal-ring, rpm-counter shaft R50/5->  | 3,36 €   | 4,00 €   |
| 11b_058  | 1259738 | Bushing for rpm-counter cable from BMW R50/5 up   | 6,64 €   | 7,90 €   |
| 11b_059  | 9911218 | Screw for RPM cable   | 0,40 €   | 0,48 €   |
| 11b_060  | 1335735 | Engine breather tube motor for BMW R45, R65 and R60/7 engine-airfilter until year of manufacture 09/1980                                | 19,29 €  | 22,95 €  |
| 11b_062  | 1335756 | Cover for engine breather for BMW R50/5-R90S, R45, R65 and R65GS  | 36,89 €  | 43,90 €  |
| 11b_063  | 1338431 | Gasket for engine breather for BMW R50/5-R90S, R45, R65 and R65GS   | 1,93 €   | 2,30 €   |
| 11b_068  | 98141   | Screw M5x20 hexagon   | 0,13 €   | 0,15 €   |
| 11b_069  | 98452   | Spring washer B 5, DIN137A zincked  | 0,05 €   | 0,06 €   |
| 11b_070  | 00175   | Clamp for fork boot R25, R25/2, at the bottom (clamp with screw)  | 1,26 €   | 1,50 €   |
| 11b_071  | 1255146 | Engine breather tube for BMW R50/5-R60/7, R90/6 and R90S  | 10,88 €  | 12,95 €  |
| 11b_071a | 1338215 | Engine breather tube for BMW R50/5-R90S with U-arch   | 7,65 €   | 9,10 €   |
| 11b_073  | 1338430 | Gasket for engine breather for BMW R75/7-R100, RT, rear   | 2,98 €   | 3,55 €   |



|          |         |   |          |          |
|----------|---------|---|----------|----------|
| 11b_077  | 1338432 | Gasket for engine breather for BMW R75/7-R100, RT, front  | 1,81 €   | 2,15 €   |
| 11b_085  | 1335734 | Engine breather tube for BMW R45, R65 and R60/7 until year of manufacture 09/1980, right side inside air filter       | 9,75 €   | 11,60 €  |
| 11b_087  | 1337258 | Engine breather tube motor for BMW R45-R100 from year of manufacture 1976 new housing form                            | 24,03 €  | 28,60 €  |
| 11b_087  | 1337257 | Engine breather hose for BMW R80 from 1985, R45 and R65 from 1978   | 14,54 €  | 17,30 €  |
| 11b_088  | 1337108 | Engine breather T-Hose for BMW R60/7-R100 from year of manufacture 1976 and BMW R45/R65 from year of manufacture 1978 | 1,60 €   | 1,90 €   |
| 11b_089a | 1337342 | Hose clamp for SLS engine breather  | 0,92 €   | 1,09 €   |
| 11b_089b | 9952109 | Hose clamp 18-24mm  | 1,01 €   | 1,20 €   |
| 11b_091  | 1337492 | Engine breather extension for BMW R80 from year of manufacture 1985 and for BMW R45/65 from year of manufacture 1978  | 0,97 €   | 1,15 €   |
| 11b_095  | 98175   | Screw M 6x50 allen head   | 0,25 €   | 0,30 €   |
| 11b_099  | 1254398 | Spring clip for suction hood for BMW R50/5-R100RT until year of manufacture 09/1978                                   | 5,97 €   | 7,10 €   |
| 11b_100  | 59367   | Engine badge R75/6  | 37,73 €  | 44,90 €  |
| 11b_100  | 1264162 | ID plate engine R100RS, blue  | 39,92 €  | 47,50 €  |
| 11b_100  | 1335655 | ID plate engine R100RS, red   | 39,92 €  | 47,50 €  |
| 11b_100  | 1335268 | Engine badge R80/7  | 37,73 €  | 44,90 €  |
| 11b_100  | 1259628 | Rubber for ID plate engine red and blue, LH   | 3,78 €   | 4,50 €   |
| 11b_100  | 1259629 | Rubber for ID plate engine red and blue, RH   | 3,95 €   | 4,70 €   |
| 11b_100a | 63754   | Engine badge R100/7   | 37,73 €  | 44,90 €  |
| 11b_100b | 57533   | Engine badge R 50/5   | 20,34 €  | 24,20 €  |
| 11b_100c | 57534   | Engine badge R60/5  | 20,34 €  | 24,20 €  |
| 11b_100d | 59366   | Engine badge R 60/6   | 32,35 €  | 38,50 €  |
| 11b_100e | 64220   | Engine badge R 60/7   | 41,93 €  | 49,90 €  |
| 11b_100f | 57535   | Engine badge R75/5  | 21,43 €  | 25,50 €  |
| 11b_100i | 59368   | Engine badge R90/6  | 37,73 €  | 44,90 €  |
| 11b_100j | 59369   | Engine badge R 90S  | 47,86 €  | 56,95 €  |
| 11b_101b | 9796049 | Mounting guidelines oilcooler-set in GERMAN   | 2,80 €   | 3,00 €   |
| 11b_108  | 1338771 | Oil cooler  | 115,80 € | 137,80 € |
| 11b_111  | 1335389 | Clamp for oil cooler mount  | 2,94 €   | 3,50 €   |
| 11b_112  | 1335763 | Bracket for oilcooler mounting for BMW R100R and R100RS   | 18,74 €  | 22,30 €  |
| 11b_115a | 38511   | Oil cooler filter cover for BMW R80GS, R100GS from year of manufacture 1987 and R100R                                 | 41,60 €  | 49,50 €  |
| 11b_115b | 35376   | Oil cooler thermostat with filter cover original BMW  | 144,45 € | 171,90 € |
| 11b_115b | 1335377 | Oil cooler filter cover for BMW R100RT and R100RS   | 62,98 €  | 74,95 €  |
| 11b_119  | 1335380 | O-ring oil cooler/filter head for BMW R60/6-R100  | 2,35 €   | 2,80 €   |
| 11b_123  | 1335394 | Screw for oilcooler breather  | 1,85 €   | 2,20 €   |
| 11b_124a | 35376   | Oil cooler thermostat with filter cover original BMW  | 144,45 € | 171,90 € |
| 11b_124b | 8530072 | Oil cooler thermostat for BMW R80, R100GS and R100R   | 158,53 € | 188,65 € |
| 11b_125a | 35390   | Oil cooler hose for thermostat, long  | 27,06 €  | 32,20 €  |
| 11b_125b | 38718   | Oil cooler hose return line for BMW R100R   | 58,78 €  | 69,95 €  |
| 11b_125c | 38717   | Oil cooler hose flow line for BMW R100R   | 61,26 €  | 72,90 €  |
| 11b_126  | 35391   | Oil cooler hose for thermostat, short   | 24,20 €  | 28,80 €  |
| 11b_127  | 38506   | Hollow bolt for oil cooler from year of manufacture 1979  | 10,84 €  | 12,90 €  |



**Group 12 Engine electric**



| Picture-No. | Article-No. | Description  | Net     | Gross   |
|-------------|-------------|--|---------|---------|
| 12_         | 98323       | Nut M 6 zincked  | 0,13 €  | 0,15 €  |
| 12_000      | 1243342     | Ignition cable R50/5-R75/7 with plug (without radio emission)          | 41,93 € | 49,90 € |
| 12_000      | 1243646     | Wiring harness, engine for BMW models from year of manufacture 09/1980 | 31,01 € | 36,90 € |





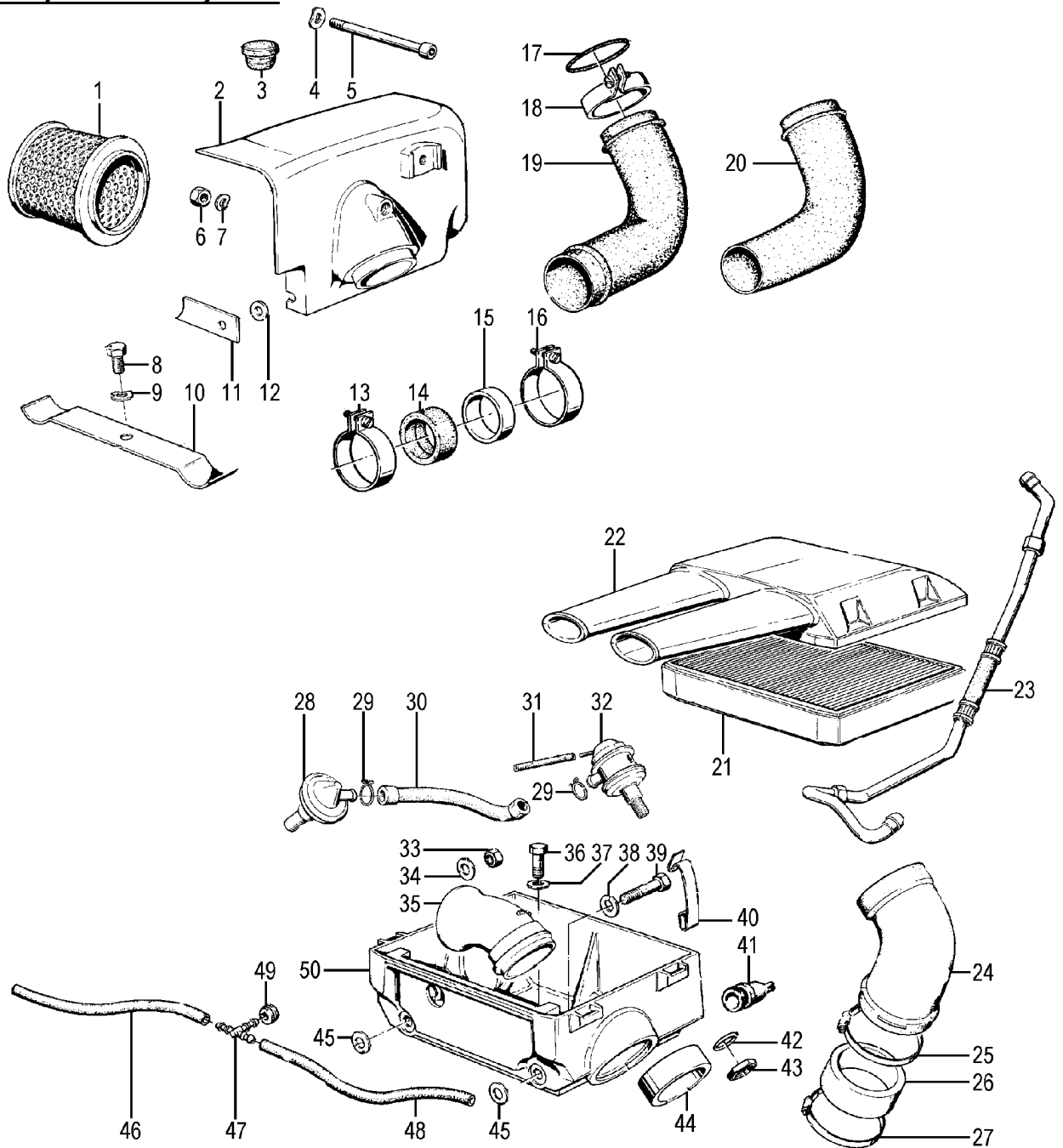
|         |         |  |          |          |
|---------|---------|--|----------|----------|
| 12_000  | 270060  | Isolating tube, 6mm price per meter  | 0,77 €   | 0,92 €   |
| 12_000  | 98682   | Isolating tube (shrink-to-fit), 12mm price per meter   | 1,23 €   | 1,46 €   |
| 12_000  | 98681   | Isolating tube (shrink-to-fit), 10mm price per meter   | 1,07 €   | 1,27 €   |
| 12_000  | 98683   | Isolating tube (shrink-to-fit) 3,2mm   | 4,62 €   | 5,50 €   |
| 12_000  | 1350636 | Wiring harness, engine for BMW R50/5-R90S  | 33,53 €  | 39,90 €  |
| 12_000  | 98679   | Isolating tube (shrink-to-fit), 4mm price per meter  | 0,46 €   | 0,55 €   |
| 12_000  | 1244177 | Cable for ignition coil for BMW R80-R100RT from year of manufacture 09/1980  | 23,15 €  | 27,55 €  |
| 12_000  | 104000  | Adapter for oil pressure relay in single components  | 17,64 €  | 20,99 €  |
| 12_000  | 243224  | Charching cable for BMW R45/R65, R60/7-R100R and for BMW R65GS-R100PD, years of manufacture 1980-1995                            | 11,68 €  | 13,90 €  |
| 12_000  | 98680   | Isolating tube (shrink-to-fit), 5mm price per meter  | 0,61 €   | 0,73 €   |
| 12_000  | 1357577 | Charching cable starter for BMW R60/6-R90S   | 3,99 €   | 4,75 €   |
| 12_000  | 1243872 | Wiring harness, engine for BMW R60/7-R100, years of manufacture 09/1978-09/1980  | 60,50 €  | 72,00 €  |
| 12_001a | 1243441 | Ignition timer R45/65, R80->R100 ->09/80   | 373,91 € | 444,95 € |
| 12_002  | 98137   | Screw M5x16 allen-head   | 0,17 €   | 0,20 €   |
| 12_004  | 98404   | Washer stainless   | 0,10 €   | 0,12 €   |
| 12_005  | 12017   | Generator brush for BMW R50/5-R100   | 3,28 €   | 3,90 €   |
| 12_006  | 1350786 | Generator brush spring for BMW R50/5-R100  | 2,10 €   | 2,50 €   |
| 12_011  | 98147   | Screw M5x45 allen-head   | 0,25 €   | 0,30 €   |
| 12_013a | 02348   | Generator rotor screw for BMW R50/5-R100   | 4,96 €   | 5,90 €   |
| 12_013b | 06032   | Generator rotor remove screw R24-R100, 1948-1996   | 5,46 €   | 6,50 €   |
| 12_014  | 98457   | Spring washer B 8,4, DIN137B-A2 stainless steel  | 0,21 €   | 0,25 €   |
| 12_016a | 51585   | Stator with winding for BMW R50/5-R90S, 12V, 280W diameter 105mm   | 210,08 € | 250,00 € |
| 12_016c | 43289   | Stator with winding for BMW R60/6-R100, 12V, 280W diameter 107mm   | 210,08 € | 250,00 € |
| 12_017  | 1350769 | Clamp pin generator 09/69->  | 1,26 €   | 1,50 €   |
| 12_019a | 09100   | Collector for three-phase current rotor  | 7,14 €   | 8,50 €   |
| 12_019b | 20221   | Generator rotor 12 Volt three-phase current  | 105,17 € | 125,15 € |
| 12_026  | 297001  | Ignition point set R45/65, R80-R100 09/78->08/80   | 12,86 €  | 15,30 €  |
| 12_028  | 1359890 | Condenser for BMW R45-R100, years of manufacture 09/1978-09/1980   | 13,36 €  | 15,90 €  |
| 12_030  | 43848   | O-ring ignition impulse sending unit for BMW R60/7-R100 and R45/R65  | 2,44 €   | 2,90 €   |
| 12_031  | 1357626 | Ignition advance unit for BMW R50/5-R100/7 until year of manufacture 08/1978   | 147,90 € | 176,00 € |
| 12_032  | 4018    | Spring for ignition advance unit, years of manufacture 09/1978-09/1980   | 7,48 €   | 8,90 €   |
| 12_032  | 1357627 | Spring for ignition advance unit, for BMW motorcycles, years of manufacture 09/1974-08/1978                                      | 9,16 €   | 10,90 €  |
| 12_032  | 1356546 | Spring for ignition advance unit from year of manufacture 09/1969  | 2,48 €   | 2,95 €   |
| 12_034b | 98325   | Nut M 6 stainless steel  | 0,17 €   | 0,20 €   |
| 12_035  | 53345   | Clamp for condenser cable from BMW R50/5 and up, until year of manufacture 09/1978   | 0,76 €   | 0,90 €   |
| 12_036b | 1014    | Ignition point set R50/5-R100  | 10,88 €  | 12,95 €  |
| 12_036c | 1014003 | Contactless ignition system EZA-3, for BMW R50/5-R100 and R45/R65 years of manufacture: 09/1969-09/1980, conversion-kit complete | 225,21 € | 268,00 € |
| 12_037  | 1351564 | Condenser for BMW R50/5-R100 until year of manufacture 09/1978   | 5,00 €   | 5,95 €   |
| 12_038a | 98117   | Cylindric screw M 4 x 10   | 0,13 €   | 0,15 €   |
| 12_038b | 98115   | Screw M4x6, slot   | 0,08 €   | 0,10 €   |
| 12_039  | 98450   | Spring washer B 4, DIN137 zincked  | 0,04 €   | 0,05 €   |
| 12_042  | 4009    | Diode plate for 12V three-phase traction drive-generator   | 69,75 €  | 83,00 €  |
| 12_044  | 98143   | Screw M5x20, allenhead   | 0,17 €   | 0,20 €   |
| 12_047  | 58131   | Silent block diode-plate R50/5->   | 9,16 €   | 10,90 €  |
| 12_048  | 98452   | Spring washer B 5, DIN137A zincked   | 0,05 €   | 0,06 €   |
| 12_049a | 98310   | Nut M 5 zincked  | 0,08 €   | 0,10 €   |
| 12_049b | 98311   | Nut M 5 stainless steel  | 0,21 €   | 0,25 €   |
| 12_050a | 1389105 | Starter relay from year of manufacture 09/1980   | 15,04 €  | 17,90 €  |
| 12_050b | 1350775 | Starter relay for BMW R50/5-R75/5  | 134,37 € | 159,90 € |
| 12_050c | 1357104 | Starter relay for BMW R60/6-R90S   | 69,33 €  | 82,50 €  |
| 12_050d | 1243207 | Starter relay for BMW R60/7 until year of manufacture 09/1980  | 15,04 €  | 17,90 €  |
| 12_053a | 2009    | Voltage regulator 14.3V for BMW R50/5-R100 AC  | 33,53 €  | 39,90 €  |
| 12_053c | 44737   | Voltage regulator 14,3V for office motorcycle AC, adjustable!  | 45,38 €  | 54,00 €  |
| 12_057  | 98101   | Screw generator-cover R 27   | 0,25 €   | 0,30 €   |
| 12_058  | 98450   | Spring washer B 4, DIN137 zincked  | 0,04 €   | 0,05 €   |
| 12_059  | 44477   | Ignition-control for sonic-ignition 09/80 > replacement without cooler   | 62,98 €  | 74,95 €  |
| 12_060  | 44328   | Ignition-control for sonic-ignition 09/80 > complete with cooler   | 102,44 € | 121,90 € |
| 12_061  | 98406   | Washer B4,3  | 0,04 €   | 0,05 €   |
| 12_062  | 98305   | Nut M 4 zincked  | 0,08 €   | 0,10 €   |
| 12_063  | 98461   | Lockwasher, 4mm  | 0,08 €   | 0,10 €   |
| 12_065B | 1244611 | Starter repair kit VALEO   | 9,16 €   | 10,90 €  |



|          |         |  |          |          |
|----------|---------|--|----------|----------|
| 12_065b  | 1244669 | Starter with 8 teeth, until year of manufacture 08/1975 DOUBLE POWER, MUCH LESS CHARGE OF BATTERY.               | 218,40 € | 259,90 € |
| 12_065d  | 1244670 | Starter with 9 teeth, from year of manufacture 09/1975   | 184,79 € | 219,90 € |
| 12_066a  | 243142  | Magneto switch for BMW models from year of manufacture 09/1974, Bosch  | 100,76 € | 119,90 € |
| 12_066c  | 1244607 | Magneto switch for Valeo-starter   | 86,47 €  | 102,90 € |
| 12_072a  | 98408   | Washer   | 0,05 €   | 0,06 €   |
| 12_072b  | 98404   | Washer stainless   | 0,10 €   | 0,12 €   |
| 12_074   | 98450   | Spring washer B 4, DIN137 zincked  | 0,04 €   | 0,05 €   |
| 12_076   | 52541   | Starter repair kit until year of manufacture 08/1974   | 35,21 €  | 41,90 €  |
| 12_078   | 1722916 | Starter bushing collector  | 2,73 €   | 3,25 €   |
| 12_080   | 1352535 | Starter brush holder for R50/5 until year of manufacture 08/1975   | 31,01 €  | 36,90 €  |
| 12_080a  | 1244616 | Starter brush bracket plate Valeo from year of manufacture 08/1987 until 09/1989                                 | 25,13 €  | 29,90 €  |
| 12_080b  | 1244685 | Starter brush bracket plate from year of manufacture 09/1989, VALEO Repair-Kit                                   | 20,59 €  | 24,50 €  |
| 12_082   | 1352536 | Generator brush Set for BMW R50/5-R100, Bosch starter  | 12,52 €  | 14,90 €  |
| 12_082a  | 1244684 | Starter brush set from year of manufacture 09/1989, VALEO  | 10,84 €  | 12,90 €  |
| 12_083   | 1352537 | Generator brush spring for BMW R50/5-R100, Bosch starter   | 2,10 €   | 2,50 €   |
| 12_084   | 1351590 | Starter bracket until year of manufacture 08/1988  | 3,28 €   | 3,90 €   |
| 12_088   | 1352533 | Starter bushing idle gear BOSCH  | 3,32 €   | 3,95 €   |
| 12_089a  | 1243140 | Starter idle gear BOSCH from year of manufacture 09/1975   | 57,06 €  | 67,90 €  |
| 12_089b  | 1352532 | Starter idle gear Bosch until year of manufacture 08/1974  | 71,39 €  | 84,95 €  |
| 12_093b  | 1244609 | Starter release lever Valeo  | 12,56 €  | 14,95 €  |
| 12_096   | 1352527 | Starter bushing pinion until year of manufacture 08/1974   | 3,28 €   | 3,90 €   |
| 12_098   | 98457   | Spring washer B 8,4, DIN137B-A2 stainless steel  | 0,21 €   | 0,25 €   |
| 12_101a  | 44426   | Ignition coil 12V, for BMW R45-R100R from 1980-1995, R65GS-R100PD from 1980 external, 2-spark                    | 169,41 € | 201,60 € |
| 12_101b  | 30025   | Ignition coil 6V, for BMW R27 and various other motorcycles external, diameter=40mm                              | 23,95 €  | 28,50 €  |
| 12_101c  | 43452   | Ignition coil 6V, model R50/5 and after, till date of manufacture sep/1980, Bosch external, diameter=55mm        | 73,03 €  | 86,90 €  |
| 12_102   | 43391   | Clamp for ignition coil R50/5-R100   | 3,36 €   | 4,00 €   |
| 12_103   | 98454   | Spring washer B 6, DIN137 zincked  | 0,05 €   | 0,06 €   |
| 12_104   | 98165   | Screw M6x16, allen-head  | 0,17 €   | 0,20 €   |
| 12_105   | 36120   | Ignition cable sleeve BMW  | 3,32 €   | 3,95 €   |
| 12_105   | 10272   | Ignition cable sleeve, brass, stick-on   | 1,01 €   | 1,20 €   |
| 12_106   | 36129   | Grommet ignition coil  | 7,48 €   | 8,90 €   |
| 12_107   | 4017    | Ignition cable per meter, copper   | 2,44 €   | 2,90 €   |
| 12_108   | 8036160 | Grommet spark-plug and ignition coil   | 1,26 €   | 1,50 €   |
| 12_109   | 43182   | Ignition cable R50/5-R100 with spark plug socket   | 45,29 €  | 53,90 €  |
| 12_109 a | 1243253 | Ignition cable with plug R45-R65LS, R65-R80ST R80GS-R100PD, R80R-R100R/MYS                                       | 41,60 €  | 49,50 €  |
| 12_110   | 5005    | Spark-plug socket  | 6,68 €   | 7,95 €   |
| 12_110   | 5005011 | Spark-plug socket, all models, classic black   | 4,16 €   | 4,95 €   |
| 12_111   | 158158  | Spark plug W240T2 for BMW R50-R60/2 long thread  | 3,19 €   | 3,80 €   |
| 12_111   | 36168   | Spark plug W200T30 for BMW R75/5-R80/7, R90/6, R90S R100 until year of manufacture 1979, R80 (all), R100R and GS | 3,19 €   | 3,80 €   |
| 12_111   | 61280   | Spark plug W230T30 for BMW R50/5-R60/7, R90S, R45 & R65 and R100 from year of manufacture 1979                   | 3,19 €   | 3,80 €   |
| 12_111   | 32518   | Spark plug W78G, 4-electrodes short thread   | 8,28 €   | 9,85 €   |
| 12_112   | 1244176 | Wiring harness, Ignition unit for BMW models from year of manufacture 09/1980                                    | 20,97 €  | 24,95 €  |
| 12_114   | 1243178 | Wiring harness, generator/diode plate for all BMW models, year of manufacture 09/1969-09/1996                    | 9,87 €   | 11,75 €  |
| 12_114a  | 1357639 | Wiring harness, Generator/diode plate for BMW R60/6-R100RT   | 1,64 €   | 1,95 €   |
| 12_115a  | 1243473 | Battery cable Plus for BMW R45/65, R80-R100R and R65GS-R100GS from year of manufacture 09/1983                   | 21,93 €  | 26,10 €  |
| 12_115a  | 1244475 | Battery cable minus for BMW R50/5-R100 until year of manufacture 1995  | 20,34 €  | 24,20 €  |
| 12_115c  | 1243874 | Battery cable plus from year of manufacture 09/1977 until 08/1983  | 18,40 €  | 21,90 €  |



**Group 13a Fuel system**



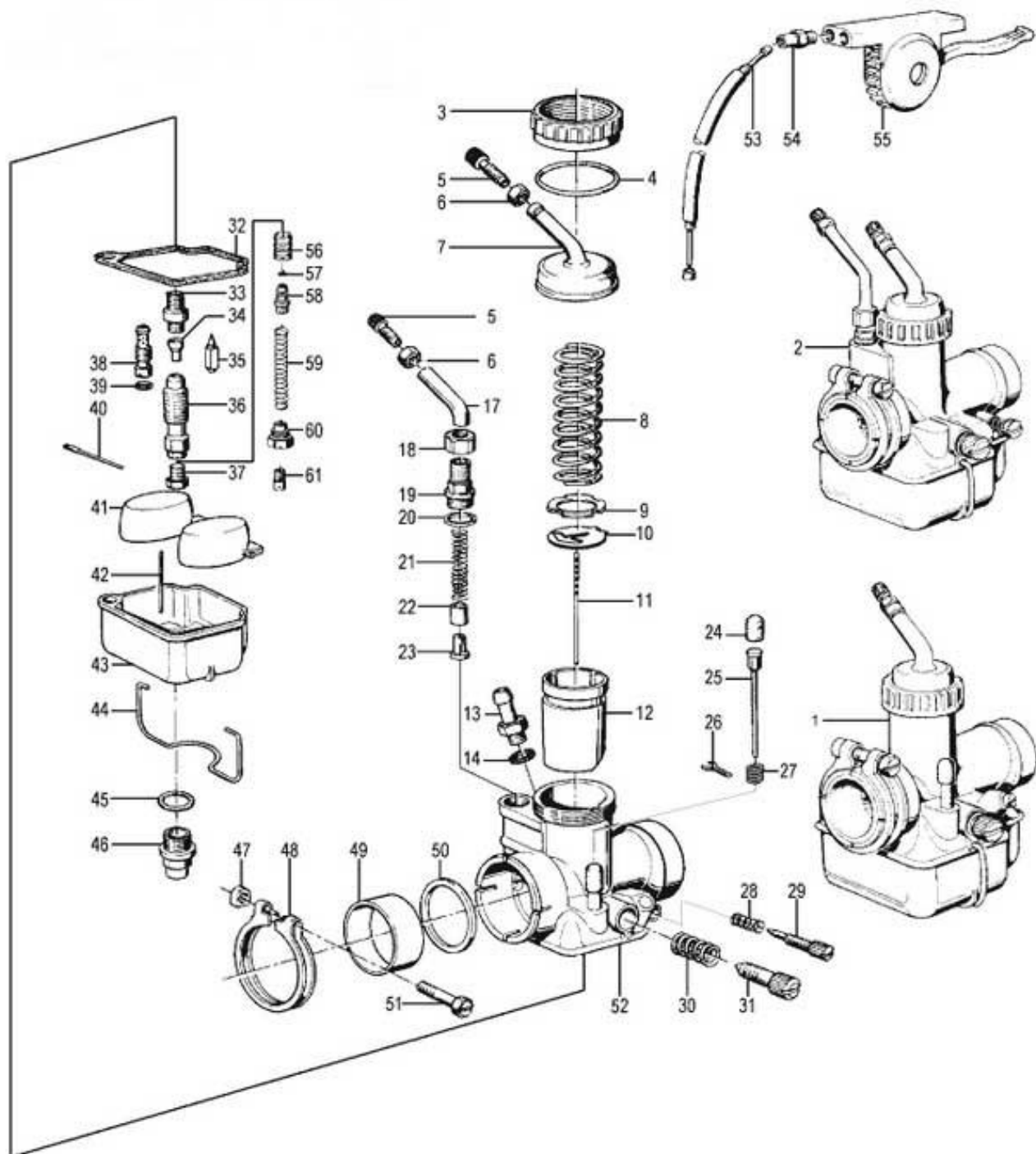
| <u>Picture-No.</u> | <u>Article-No.</u> | <u>Description</u>   | <u>Net</u> | <u>Gross</u> |
|--------------------|--------------------|--|------------|--------------|
| 13_00              | 1303017            | Fuel hose quick-connector, Ø 7,5mm   | 7,52 €     | 8,95 €       |
| 13_00              | 1403017            | Fuel hose quick-connector, Ø 9mm NOT for BMW-oldtimer-motorcycle   | 7,52 €     | 8,95 €       |
| 13_000             | 0039290            | Accelerator pump complete for BMW R27, Isetta ( for 1/26/93 ) REMNANTS !   | 50,00 €    | 59,50 €      |
| 13_000             | 7770003            | Sticker Oilfilter-/Airfilterchange for BMW all Models /5 3-colour  | 6,30 €     | 7,50 €       |
| 13a                | 98352              | Nut M 8 zinked   | 0,17 €     | 0,20 €       |
| 13a                | 0098352            | Nut M 8, wrench size 14 zincked  | 1,01 €     | 1,20 €       |
| 13a_000            | 9952119            | Clamp for airfilter R65-R80RT 85->95 (42-48mm)   | 1,51 €     | 1,80 €       |
| 13a_000            | 9952121            | Clamp for airfilter R65-R80RT 85->95 (47-54mm)   | 2,69 €     | 3,20 €       |
| 13a_001            | 1048               | Air filter insert for BMW R50/5-R100 until year of manufacture 09/1980   | 9,20 €     | 10,95 €      |
| 13a_003            | 80222              | Rubber plug for choke mount at the gearbox   | 0,21 €     | 0,25 €       |
| 13a_005            | 54042              | Screw for air intake housing R90S  | 4,12 €     | 4,90 €       |
| 13a_006            | 13432              | Nut M8 for airfilter from BMW R50/5  | 0,36 €     | 0,43 €       |
| 13a_008a           | 98201              | Screw M 8x20, hexagon for chain tensioner, simplex for BMW R45 and R65, R60/7-R100 and exhaust pipe holding screw for BMW R50-R69S | 0,17 €     | 0,20 €       |
| 13a_008b           | 098201             | Screw, hexagon, stainless  | 0,26 €     | 0,31 €       |
| 13a_009            | 98457              | Spring washer B 8,4, DIN137B-A2 stainless steel  | 0,21 €     | 0,25 €       |
| 13a_010            | 1251169            | Clamp spring, airfilter (round version) for BMW models, years of manufacture 09/1969-09/1980                                       | 8,32 €     | 9,90 €       |
| 13a_011            | 1335977            | Spring shackle air filter housing from BMW R50/5 and up  | 1,64 €     | 1,95 €       |



|          |         |   |         |         |
|----------|---------|---|---------|---------|
| 13a_012  | 3060174 | Spacer washer airfilter housing for BMW R50/5-R100RT until year of manufacture 09/1980  | 1,09 €  | 1,30 €  |
| 13a_014a | 1254200 | Air tube rubber for BMW R50/5-R60/7 26mm, Carburetor/intake tube  | 6,47 €  | 7,70 €  |
| 13a_014b | 1257395 | Air tube rubber for BMW R75/5-/7, R90/6, R90S, R80/7, R100-/7 carburator/intake tube  | 4,96 €  | 5,90 €  |
| 13a_014c | 1338360 | Air tube rubber 54mm for BMW R100RS, RT from year of manufacture 1987 until 1995 Head/Carburator  | 7,14 €  | 8,50 €  |
| 13a_014d | 1259820 | Air tube rubber for BMW R90S Carburator rubber sleeve for air pipe  | 4,12 €  | 4,90 €  |
| 13a_017  | 57763   | O-ring air tube for BMW R50/5-R100/7 until year of manufacture 1981   | 1,81 €  | 2,15 €  |
| 13a_018  | 61026   | Clamp for fork boot for R50/5-R100/7 (clamp with screw)   | 1,26 €  | 1,50 €  |
| 13a_018  | 9061026 | Clamp for air tube for R50/5 (clamp with screw)   | 1,26 €  | 1,50 €  |
| 13a_018  | 9161026 | Clamp for Air tube rubber for R75/5, R75/6, R90/6 (clamp with screw)  | 1,26 €  | 1,50 €  |
| 13a_019a | 1258059 | Intake pipe for BMW R75/5-R100/7 and R90S, left side for 32mm carburettor + Dellorto  | 17,23 € | 20,50 € |
| 13a_019b | 1258060 | Intake pipe for BMW R75/5-R100/7 and R90S, right side for 32mm carburettor + Dellorto   | 17,23 € | 20,50 € |
| 13a_019c | 1262788 | Intake pipe for BMW R80, R100, (with 40mm-carburettor), right side from year of manufacture 09/1978   | 16,72 € | 19,90 € |
| 13a_019d | 1262787 | Intake pipe for BMW R80 and R100, (with 40mm-carburettor), left side from year of manufacture 09/1978   | 16,72 € | 19,90 € |
| 13a_020a | 1251612 | Intake pipe for BMW R50/5-R60/7, right side   | 18,07 € | 21,50 € |
| 13a_020b | 1251611 | Intake pipe for BMW R50/5-R60/7, left side  | 18,07 € | 21,50 € |
| 13a_021  | 9048    | Air filter insert for BMW R45/R65-R100 until year of manufacture 09/1980, square  | 19,75 € | 23,50 € |
| 13a_022  | 1337675 | Air filter housing for BMW R65-R100 from year of manufacture 09/1982, top   | 35,21 € | 41,90 € |
| 13a_024a | 1335111 | Intake pipe for BMW R45 and R65 until year of manufacture 09/1980, left side  | 32,52 € | 38,70 € |
| 13a_024b | 1335112 | Intake pipe for BMW R45 and R65 until year of manufacture 09/1980, right side   | 32,52 € | 38,70 € |
| 13a_024c | 1335700 | Intake pipe for BMW R80-R100R/MYS and R65GS-R80PD, left and right side from year of manufacture 09/1980 (for flat-airfilter)  | 17,73 € | 21,10 € |
| 13a_026  | 1264392 | Air tube rubber for intake tube/air-filter housing, years of manufacture 09/1975-08/1986 and for BMW R45 and R65, Head/carburator R100 mit 94/40 carburator from year 09/1978 | 5,50 €  | 6,55 €  |
| 13a_026a | 1338362 | Air tube rubber for 94/40mm carburators at head from year of manufacture 09/1986 and BMW R100GS, PD, R100R  | 6,22 €  | 7,40 €  |
| 13a_033b | 98353   | Nut M 8 stainless steel   | 0,38 €  | 0,45 €  |
| 13a_035  | 1337233 | Intake pipe for BMW R65-R100, inner, left side for flat-airfilter   | 8,32 €  | 9,90 €  |
| 13a_035a | 1337078 | Intake pipe for BMW R65-R100, inner, right side for flat-airfilter  | 13,28 € | 15,80 € |
| 13a_037  | 98416   | Washer B8, stainless steel  | 0,13 €  | 0,15 €  |
| 13a_038  | 98416   | Washer B8, stainless steel  | 0,13 €  | 0,15 €  |
| 13a_040  | 37105   | Air filter retaining clip for BMW R80/R100 from year of manufacture 1981 and for BMW R45 and R65  | 4,96 €  | 5,90 €  |
| 13a_041  | 1337162 | Rubber valve for square air filter  | 10,84 € | 12,90 € |
| 13a_042  | 63132   | Gasket ring M16, e.g. oil drain screw   | 0,26 €  | 0,31 €  |
| 13a_044  | 1337229 | Air tube stud for BMW R65-R100 from year of manufacture 1979 until 1995 air-filter housing, flat-airfilter  | 7,48 €  | 8,90 €  |
| 13a_045  | 98416   | Washer B8, stainless steel  | 0,13 €  | 0,15 €  |
| 13a_046  | 1337512 | Engine breather tube for BMW R45-R100 from year of manufacture 09/1980, right side inside air filter  | 5,80 €  | 6,90 €  |
| 13a_048  | 1337511 | Engine breather tube for BMW R45-R100 from year of manufacture 09/1980, left side inside air filter   | 5,80 €  | 6,90 €  |



Group 13b BING carburator R50/5-R60/7



| <u>Picture-No.</u> | <u>Article-No.</u> | <u>Description</u>   | <u>Net</u> | <u>Gross</u> |
|--------------------|--------------------|--|------------|--------------|
| 13b                | 3017               | Fuel hose, oldtime-look, per meter   | 4,08 €     | 4,86 €       |
| 13b                | 3017713            | Fuel hose, rubber-look, per meter  | 5,46 €     | 6,50 €       |
| 13b_000            | 39001              | Gasket set for Carburettor for BMW R50/5-60/7 and R26, R27 Special             | 5,46 €     | 6,50 €       |
| 13b_003            | 14049              | Slide cover nut R51/3-69S, R50/5-R60/7   | 16,39 €    | 19,50 €      |
| 13b_004            | 54932              | O-ring carburetor top for BMW R50/5-R60/7                                      | 0,79 €     | 0,94 €       |
| 13b_005            | 39178              | Throttle adjusting screw M 6, long for BMW R24-R25/3, R50-R69S and R50/5-R60/7 | 1,93 €     | 2,30 €       |
| 13b_005A           | 42112              | Grommet for throttle cable on carburettor, small, for BMW R24-R27              | 1,51 €     | 1,80 €       |
| 13b_005b           | 42111              | Grommet for throttle cable on carburettor, large                               | 1,51 €     | 1,80 €       |
| 13b_006            | 39182              | Nut M 6 for throttle adjusting screw   | 0,46 €     | 0,55 €       |
| 13b_007c           | 54933              | Carburetor slide cover replacement R50/5-R60/7 RH/LH w/screwed tube            | 29,41 €    | 35,00 €      |
| 13b_008            | 54929              | Carburettor slide spring R50/5-60/7  | 1,89 €     | 2,25 €       |
| 13b_009            | 59276              | Washer for R50/5-60/7 carburator plate   | 0,84 €     | 1,00 €       |
| 13b_010            | 1254927            | Jet needle retaining plate for BMW R50/5-R60/7                                 | 0,76 €     | 0,90 €       |



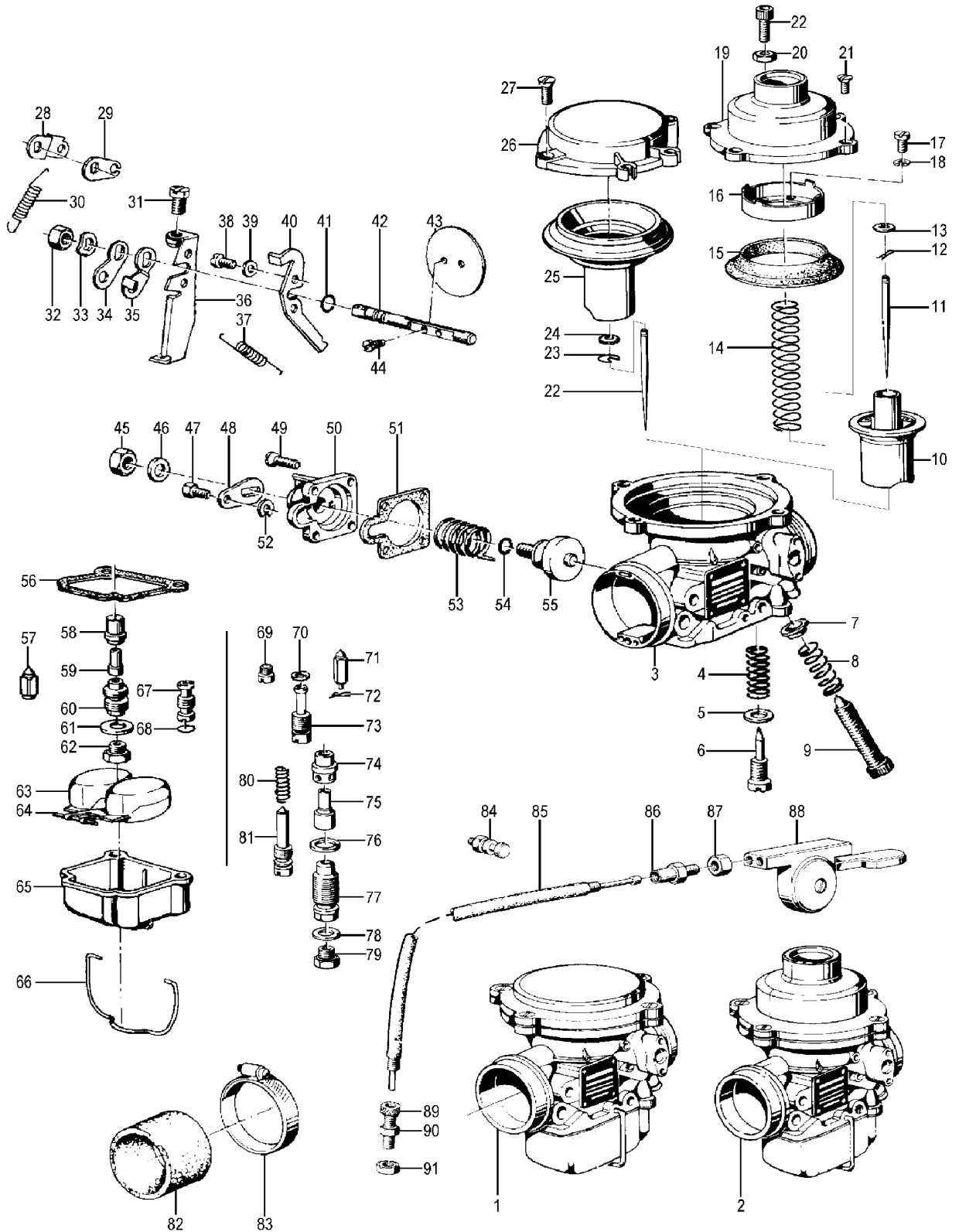
|          |         |   |         |         |
|----------|---------|---|---------|---------|
| 13b_011  | 1254926 | Jet needle for BMW R50/5-R60/7  | 3,91 €  | 4,65 €  |
| 13b_012  | 54925   | Carburettor slide R50/5-R60/7   | 17,60 € | 20,94 € |
| 13b_014  | 1254920 | Gasket ring hose connector for BMW R50/5-R60/7                                      | 0,41 €  | 0,49 €  |
| 13b_017  | 1261351 | Choke cable elbow pipe für BMW R60/6 and R60/7                                      | 8,15 €  | 9,70 €  |
| 13b_017b | 61350   | Slide cover tube R50/5-R60/7, R51/3-R69S  | 10,50 € | 12,50 € |
| 13b_019b | 1261348 | Nut for choke cable tube R60/6, R60/7, R60T w/o-ring                                | 1,94 €  | 2,31 €  |
| 13b_019b | 1261347 | Flange for tubular-bow R60/6-R60/7  | 1,68 €  | 2,00 €  |
| 13b_021  | 61345   | Carburator start piston spring R60/6-R60/7  | 0,63 €  | 0,75 €  |
| 13b_022  | 1335688 | Bushing starter piston for BMW R60/6 and R60/7                                      | 1,55 €  | 1,84 €  |
| 13b_023  | 35687   | Carburettor starter piston R60/6-60/7   | 2,69 €  | 3,20 €  |
| 13b_025  | 54911   | Carburettor tickler R50/5-R60/6 ->74  | 4,96 €  | 5,90 €  |
| 13b_026  | 39165   | Carburettor tickler pin   | 0,34 €  | 0,40 €  |
| 13b_027  | 54912   | Carburettor tickler spring R50/5-R60/6 ->74   | 0,56 €  | 0,67 €  |
| 13b_028  | 1254918 | Spring for idle mixture screw for BMW R50/5-R60/7                                   | 0,55 €  | 0,65 €  |
| 13b_029  | 1254917 | Mixture regulating screw for BMW R50/5, R60/5, R60/6 and R60/7                      | 2,52 €  | 3,00 €  |
| 13b_030  | 1254922 | Spring for carburettor slide adjusting screw R50/5-R60/7                            | 0,97 €  | 1,15 €  |
| 13b_031  | 54921   | Slide adjusting screw R50/5-60/7  | 3,49 €  | 4,15 €  |
| 13b_032  | 1254924 | Gasket float chamber for BMW R50/5-R60/7  | 3,70 €  | 4,40 €  |
| 13b_033  | 60973   | Mixing chamber insert (atomizer) R50/5-R100   | 3,53 €  | 4,20 €  |
| 13b_034a | 54909   | Needle jet #2.64 for BMW R50/5-R60/7 and R45/R65                                    | 5,80 €  | 6,90 €  |
| 13b_034b | 54910   | Needle jet #2.66 for BMW R50/5-R60/7  | 5,80 €  | 6,90 €  |
| 13b_034c | 54914   | Needle jet #2.68 for BMW R50/5-R60/7  | 5,80 €  | 6,90 €  |
| 13b_034d | 54919   | Needle jet #2.70 for BMW R50/5-R60/7  | 6,01 €  | 7,15 €  |
| 13b_034e | 54907   | Needle jet #2.73 for BMW R50/5-R60/7  | 5,80 €  | 6,90 €  |
| 13b_035a | 25049   | Float needle "old" R50/5-R90/6, R75/7 for BING 53 and 64-0                          | 11,47 € | 13,65 € |
| 13b_035b | 35318   | Float needle "new" R45/65, R100/7-R100RS 64-2, -3 and 94                            | 13,28 € | 15,80 € |
| 13b_036  | 1255816 | Accelerator pump complete for BMW R50/5-R60/7 for BING                              | 79,83 € | 95,00 € |
| 13b_037a | 39140   | Main jet, slotted, # 135  | 4,16 €  | 4,95 €  |
| 13b_037b | 39141   | Main jet, slotted, # 140  | 4,16 €  | 4,95 €  |
| 13b_039  | 54735   | O-ring idle jet for BMW R50/5-R100 and mixture regulating screw R75/5-R100          | 1,80 €  | 2,14 €  |
| 13b_040  | 54768   | Float axle R50/5-R100RS   | 0,67 €  | 0,80 €  |
| 13b_041  | 54766   | Float R50/5->   | 17,56 € | 20,90 € |
| 13b_043  | 54923   | Foat bowl R50/5-R60/6 ->08/74 (no injection pump)                                   | 10,84 € | 12,90 € |
| 13b_045  | 42122   | Gasket ring for BMW R24-R27 Cover nut for BMW R50/5-R60/7, 53er carburator          | 0,41 €  | 0,49 €  |
| 13b_046  | 55817   | Float box locking screw R50/5-R60/6   | 2,97 €  | 3,53 €  |
| 13b_047  | 39284   | Nut for carburator clamp for BMW R26, R27 and R50/5-R75/5                           | 0,42 €  | 0,50 €  |
| 13b_048  | 1254913 | Gripper clamp, carburetor for BMW R50/5, R60/5, R60/6 and R60/7                     | 4,12 €  | 4,90 €  |
| 13b_049  | 1255975 | Isolating bushing carburettor for BMW R50/5, R60/5 and R60/7                        | 8,32 €  | 9,90 €  |
| 13b_050  | 1255974 | Insolating washer carburator for BMW R50/5, R60/5, R60/6 and R60/7                  | 0,76 €  | 0,90 €  |
| 13b_051  | 36968   | Screw for carburator clamp  | 1,93 €  | 2,30 €  |
| 13b_053a | 1260365 | Choke cable for BMW R50/5, R60/5/6/7, years of manufacture 1969-09/1984, left side  | 13,28 € | 15,80 € |
| 13b_053b | 1260366 | Choke cable for BMW R50/5, R60/5/6/7, years of manufacture 1969-09/1984, right side | 12,52 € | 14,90 € |
| 13b_053c | 1260644 | Choke cable for R90S fits for left or right side, 1 piece                           | 13,36 € | 15,90 € |
| 13b_054  | 1260368 | Choke cable nipple at adjusting lever for BMW R60/5, R60/6, R60/7 and R90S          | 2,65 €  | 3,15 €  |
| 13b_055  | 1260191 | Choke lever from BMW R75/5 on gearbox   | 40,34 € | 48,00 € |
| 13b_056  | 00054   | Piston injection pump for BMW R50/5, R60/5, R60/6 and R60/7                         | 3,78 €  | 4,50 €  |
| 13b_057  | 00050   | Carburettor pump valve for BMW R27 and R50/5-R60/7                                  | 0,42 €  | 0,50 €  |
| 13b_058  | 00052   | Accelerator pump SCREWING R50/5-R60/7   | 1,97 €  | 2,34 €  |
| 13b_059  | 00051   | Spring for acceleration pump for BMW R27 and R50/5-R60/7                            | 0,70 €  | 0,83 €  |
| 13b_060  | 00053   | Jet hoder locking screw for BMW R50/5-R60/7 accelerator pump                        | 2,94 €  | 3,50 €  |
| 13b_060a | 42122   | Gasket ring for BMW R24-R27 Cover nut for BMW R50/5-R60/7, 53er carburator          | 0,41 €  | 0,49 €  |
| 13b_061a | 39131   | Main jet, slotted, # 90   | 4,16 €  | 4,95 €  |
| 13b_061b | 39132   | Main jet, slotted, # 95   | 4,16 €  | 4,95 €  |
| 13b_061c | 39133   | Main jet, slotted, # 100  | 4,16 €  | 4,95 €  |
| 13b_061d | 39134   | Main jet, slotted, # 105  | 4,16 €  | 4,95 €  |
| 13b_061e | 39135   | Main jet, slotted, # 110  | 4,16 €  | 4,95 €  |
| 13b_061f | 39136   | Main jet, slotted, # 115  | 4,16 €  | 4,95 €  |
| 13b_061g | 39137   | Main jet, slotted, # 120  | 4,16 €  | 4,95 €  |
| 13b_061h | 39138   | Main jet, slotted, # 125  | 4,16 €  | 4,95 €  |
| 13b_061i | 39139   | Main jet, slotted, # 130  | 4,16 €  | 4,95 €  |
| 13b_061j | 39140   | Main jet, slotted, # 135  | 4,16 €  | 4,95 €  |
| 13b_061k | 39141   | Main jet, slotted, # 140  | 4,16 €  | 4,95 €  |
| 13b_061l | 39142   | Main jet, slotted, # 145  | 4,16 €  | 4,95 €  |
| 13b_061m | 39143   | Main jet, slotted, # 150  | 4,16 €  | 4,95 €  |



13b\_061n 39144 Main jet, slotted, # 155  
 13b\_061o 39145 Main jet, slotted, # 160

4,16 € 4,95 €  
 4,16 € 4,95 €

**Group 13c Bing carburetor R75/-R100**



| <u>Picture-No.</u> | <u>Article-No.</u> | <u>Description</u>   | <u>Net</u> | <u>Gross</u> |
|--------------------|--------------------|--|------------|--------------|
| 13c                | 3017               | Fuel hose, oldtime-look, per meter   | 4,08 €     | 4,86 €       |
| 13c                | 3017713            | Fuel hose, rubber-look, per meter  | 5,46 €     | 6,50 €       |
| 13c_000            | 1338241            | Jet needle screwing for BMW R45/R65, R65GS-R100GS und R80-R100R from year of manufacture 09/1982 | 2,94 €     | 3,50 €       |
| 13c_000            | 39002              | Gasket set for Carburettor for BMW R75/5-R100 (for 2 Carburettors)                               | 18,91 €    | 22,50 €      |
| 13c_000            | 59869              | Screw vacuum flange R75/5-R100   | 0,42 €     | 0,50 €       |
| 13c_000            | 59870              | Gasket ring for vacuum screw for BMW R75/5-R100  | 0,21 €     | 0,25 €       |
| 13c_001e           | 37433              | Carburettor R100/7-100RT LH '81->  | 411,76 €   | 489,99 €     |



|          |         |   |          |          |
|----------|---------|---|----------|----------|
| 13c_001f | 37434   | Carburettor R100/7-100RT RH '81->   | 411,76 € | 489,99 € |
| 13c_002a | 53858   | Carburettor R75/5-100/7, LH   | 424,37 € | 505,00 € |
| 13c_002b | 53857   | Carburettor R75/5-100/7, RH   | 424,37 € | 505,00 € |
| 13c_002c | 37815   | Carburettor R80-R80GS LH  | 447,90 € | 533,00 € |
| 13c_002d | 37816   | Carburettor R80-R80GS RH  | 447,90 € | 533,00 € |
| 13c_002g | 38365   | Carburettor R100GS LH 1990->  | 411,76 € | 489,99 € |
| 13c_002h | 38366   | Carburettor R100GS RH 1990->  | 411,76 € | 489,99 € |
| 13c_002i | 1265613 | Carburator R100RS, RT, S LH ->81, 94/40/105   | 411,76 € | 490,00 € |
| 13c_002j | 1265614 | Carburator R100RS, RT, S RH ->81, 94/40/106   | 411,76 € | 490,00 € |
| 13c_004  | 1254736 | Spring for idle mixture screw for BMW R75/5   | 0,71 €   | 0,84 €   |
| 13c_006  | 1335302 | Mixture regulating screw for BMW R75/5-R100, R45/R65 and R65GS-R100GS   | 3,45 €   | 4,11 €   |
| 13c_008  | 54751   | Spring for carb. slide stop screw R75/5->   | 1,89 €   | 2,25 €   |
| 13c_009  | 1254750 | Adjusting screw for butterfly valve for BMW R75/5-R100  | 2,77 €   | 3,30 €   |
| 13c_011a | 1255840 | Jet needle for BMW R75/5-R80/7, R80 until year of manufacture 05/1983 R45 and R65 until year of manufacture 09/1982 (.../64/...-carburetor) | 5,55 €   | 6,60 €   |
| 13c_011b | 1335321 | Jet needle for BMW R100/7, RS, R80 (94er)   | 4,62 €   | 5,50 €   |
| 13c_011b | 1337692 | Jet needle for BMW R80, R100 until year of manufacture 09/1980 and R65 until year of manufacture 09/1982 (.../64/...-carburetor)            | 5,46 €   | 6,50 €   |
| 13c_011d | 1338522 | Jet needle for BMW R100 and R100GS from year of manufacture 1988  | 3,53 €   | 4,20 €   |
| 13c_011e | 1311999 | Jet needle for BMW R100 special for 64/32-carburator from year of manufacture 09/1982 > 1,5l lower fuel to 100km !                          | 3,15 €   | 3,75 €   |
| 13c_012  | 1254771 | Jet needle retaining spring for BMW R75/5-R100  | 2,10 €   | 2,50 €   |
| 13c_013  | 1254773 | Jet needle notched ring for BMW R75/5-R100  | 0,50 €   | 0,60 €   |
| 13c_014  | 35324   | Carburettor slide spring R80/7-R100RS, BING 64-3 and 94   | 6,64 €   | 7,90 €   |
| 13c_014b | 1338134 | Carburettor slide spring R65-R100 1985->  | 6,85 €   | 8,15 €   |
| 13c_015a | 35322   | Diaphragm for BING carburettor 94/40/...  | 29,83 €  | 35,50 €  |
| 13c_015b | 54774   | Diaphragm for BING carburettor 64/32/.... also fits on "flat-top" carburetors   | 29,83 €  | 35,50 €  |
| 13c_016a | 54775   | Diaphragm holding ring for BMW R75/5-R100/7 until year of manufacture 1979, BING carburettor 64/32/.  | 3,53 €   | 4,20 €   |
| 13c_016c | 35323   | Diaphragm holding ring for BMW R100S, RS, RT, GS, R, BING carburettor 94/40/....  | 4,12 €   | 4,90 €   |
| 13c_016d | 1337358 | Diaphragm holding ring for BMW R65-R100 from year of manufacture 1979, BING carburettor 64/32/....  | 10,00 €  | 11,90 €  |
| 13c_017  | 37359   | Screw for butterfly and membrane mount R75/5-R100   | 0,42 €   | 0,50 €   |
| 13c_019  | 1254769 | Carburetor slide assy. with cover, R75/5 64/32/3+4, 64/32/9+10  | 160,00 € | 190,40 € |
| 13c_021  | 37361   | Slide cover screw R75/5-R100, Stainless steel   | 0,59 €   | 0,70 €   |
| 13c_021b | 37362   | Carburettor slide screw R75/5-R100  | 0,42 €   | 0,50 €   |
| 13c_022  | 1230840 | Throttle adjusting screw M 6 from BMW R65 and up, with nut  | 7,14 €   | 8,50 €   |
| 13c_023  | 1338242 | Jet needle clamp ring for BMW models from year of manufacture 09/1982   | 0,46 €   | 0,55 €   |
| 13c_025a | 36880   | Carburettor slide w/ diaphragm R90/6, R100/7 for BING 64/32/219-22  | 100,00 € | 119,00 € |
| 13c_025b | 36881   | Carburettor slide w/ diaphragm R45N, BING 64/26/201-202   | 67,14 €  | 79,90 €  |
| 13c_025c | 1336878 | Carburettor slide w/ diaphragm R45  | 67,14 €  | 79,90 €  |
| 13c_025c | 1336609 | Carburettor slide w/ diaphragm R65-R80 ->08/79  | 58,74 €  | 69,90 €  |
| 13c_027  | 37362   | Carburettor slide screw R75/5-R100  | 0,42 €   | 0,50 €   |
| 13c_028  | 1337369 | Choke cable lever at carburator from BMW R80/7 up   | 3,50 €   | 4,17 €   |
| 13c_029  | 1337368 | Choke lever carburator from BMW R60/7 and up  | 0,80 €   | 0,95 €   |
| 13c_030  | 1337409 | Choke lever extension spring for BMW R100R, S, RT, T, CS, RS  | 2,23 €   | 2,65 €   |
| 13c_031  | 1335311 | Adjusting screw for butterfly valve for BMW R80/7-R100  | 1,43 €   | 1,70 €   |
| 13c_032  | 54760   | Nut M 8 for butterfly-axle, BING 64/...   | 0,76 €   | 0,90 €   |
| 13c_034  | 1335608 | Throttle lever carburetor, 64/32/..., outer, until year of manufacture 09/1978  | 1,35 €   | 1,60 €   |
| 13c_034  | 1335310 | Throttle lever carburetor, 94/40/..., outer, from year of manufacture 09/1978   | 1,48 €   | 1,76 €   |
| 13c_034A | 1254747 | Throttle lever carburetor for BMW R75/5-/7, R100/7 and R100RT, from year of manufacture 09/1978   | 1,68 €   | 2,00 €   |
| 13c_035a | 1335609 | Throttle lever carburetor, 64/32/..., inner left side, until year of manufacture 09/1978  | 1,42 €   | 1,69 €   |
| 13c_035a | 1335308 | Throttle lever carburetor, 94/40/..., left side, from year of manufacture 09/1978   | 0,97 €   | 1,15 €   |
| 13c_035b | 1335607 | Throttle lever carburetor, 64/32/..., inner right side, until year of manufacture 09/1978   | 1,42 €   | 1,69 €   |
| 13c_035b | 1335309 | Throttle lever carburetor, 94/40/..., right side, from year of manufacture 09/1978  | 0,97 €   | 1,15 €   |
| 13c_036  | 1335305 | Throttle control bracket, right side BING, 64/... and 94/...  | 11,51 €  | 13,70 €  |
| 13c_036  | 1335304 | Throttle control bracket, left side BING, 64/... and 94/...   | 11,51 €  | 13,70 €  |
| 13c_037a | 1254908 | Carburator throttle butterfly control spring for BMW R75/5-R100/7   | 2,02 €   | 2,40 €   |
| 13c_037b | 1335512 | Carburator throttle butterfly control spring for BMW R100S, RS, RT, R   | 2,73 €   | 3,25 €   |
| 13c_037c | 1335312 | Choke lever extension spring R75/5-R100 BING 32/...   | 3,36 €   | 4,00 €   |
| 13c_037c | 1335606 | Carburator throttle butterfly control spring for BMW R80/7-R100 and R45, R65  | 2,31 €   | 2,75 €   |
| 13c_041  | 54739   | O-ring throttle shaft for BMW R75/5-R100  | 1,64 €   | 1,95 €   |
| 13c_042a | 1335745 | Throttle valve shaft for BMW R100 and R80 from year of manufacture 09/1978  | 11,68 €  | 13,90 €  |
| 13c_042b | 1336585 | Throttle valve shaft for BMW R75/5-R100 and R45, R65  | 8,32 €   | 9,90 €   |
| 13c_043a | 1335605 | Carburator throttle butterfly for BMW R75/5-R100RT until year of manufacture 09/1978  | 4,62 €   | 5,50 €   |





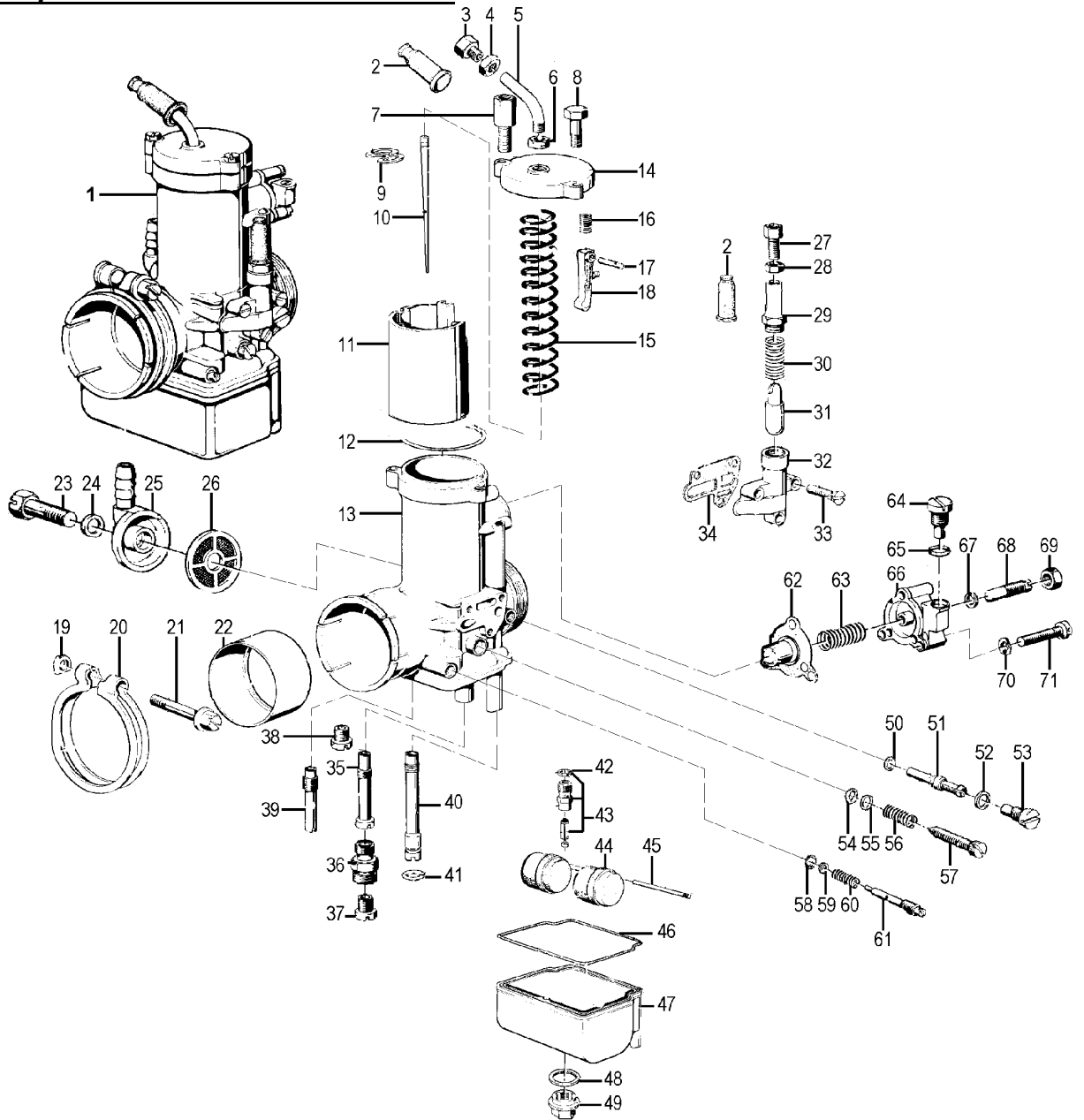
|          |         |  |         |         |
|----------|---------|--|---------|---------|
| 13c_043b | 1335746 | Carburator throttle butterfly for BMW R100 from year of manufacture 09/1978  | 11,43 € | 13,60 € |
| 13c_044  | 1254738 | Mounting-screw for butterfly valve for BMW R45, R65 and R75/5-R100 until year of manufacture 1994 BING 64-2  | 0,92 €  | 1,09 €  |
| 13c_047  | 1254757 | Nipple adaptor for choke cable (Carburator) for BMW R75/5 until year of manufacture 12/1970  | 1,85 €  | 2,20 €  |
| 13c_048b | 1335315 | Choke lever carburator for BMW R75/5-R100 until year of manufacture 08/1980  | 10,88 € | 12,95 € |
| 13c_049  | 37367   | Screw choke-cover 75/5->   | 0,38 €  | 0,45 €  |
| 13c_050  | 1257815 | Starter device 64/32/... 01/71 >, r/h R75/5/6/7, R90/6, R45/65, R80  | 27,65 € | 32,90 € |
| 13c_050  | 1257816 | Starter device 64/32/... 01/71 >, l/h R75/5/6/7, R90/6, R45/65, R80  | 27,65 € | 32,90 € |
| 13c_051  | 1256353 | Gasket choke housing for BMW R75/5-R100  | 1,01 €  | 1,20 €  |
| 13c_052  | 1254758 | Circlip for choke cable ->12/70  | 0,31 €  | 0,37 €  |
| 13c_053  | 1255533 | Pressure spring piston starter device for BMW R75/5-R100, right side   | 0,55 €  | 0,65 €  |
| 13c_053a | 1255534 | Pressure spring piston starter device for BMW R75/5-R100, left side  | 0,55 €  | 0,65 €  |
| 13c_054  | 57819   | O-ring starter axle for BMW R75/5-R100   | 1,77 €  | 2,11 €  |
| 13c_056  | 1254764 | Gasket float chamber for BMW R45, R65 and R75/5-R100   | 3,70 €  | 4,40 €  |
| 13c_057a | 25049   | Float needle "old" R50/5-R90/6, R75/7 for BING 53 and 64-0   | 11,47 € | 13,65 € |
| 13c_057b | 35318   | Float needle "new" R45/65, R100/7-R100RS 64-2, -3 and 94   | 13,28 € | 15,80 € |
| 13c_058b | 60973   | Mixing chamber insert (atomizer) R50/5-R100  | 3,53 €  | 4,20 €  |
| 13c_059a | 35744   | Needle jet # 2.64 for BMW R75/5-R100   | 5,80 €  | 6,90 €  |
| 13c_059e | 54729   | Needle jet #2.73 for BMW R75/5-R100  | 5,80 €  | 6,90 €  |
| 13c_059f | 28028   | Needle jet #2.62 for BMW R75/5-R100  | 5,80 €  | 6,90 €  |
| 13c_059g | 45196   | Needle jet #2.60 for BMW R75/5-R100  | 5,80 €  | 6,90 €  |
| 13c_060a | 1335600 | Jet holder for BMW R75/5-R100 and R65GS/R80GS, ../64/..BING-carburator   | 6,68 €  | 7,95 €  |
| 13c_061  | 54732   | Main jet washer R75/5-R100RS   | 0,38 €  | 0,45 €  |
| 13c_062a | 39240   | Main jet, hexagon, # 135   | 4,87 €  | 5,80 €  |
| 13c_062b | 39242   | Main jet, hexagon, # 145   | 4,87 €  | 5,80 €  |
| 13c_062c | 39243   | Main jet, hexagon, # 150   | 4,87 €  | 5,80 €  |
| 13c_062d | 39245   | Main jet, hexagon, # 160   | 4,87 €  | 5,80 €  |
| 13c_062e | 39246   | Main jet, hexagon, # 165   | 4,87 €  | 5,80 €  |
| 13c_062f | 39247   | Main jet, hexagon, # 170   | 4,87 €  | 5,80 €  |
| 13c_063  | 54766   | Float R50/5->  | 17,56 € | 20,90 € |
| 13c_064  | 54768   | Float axle R50/5-R100RS  | 0,67 €  | 0,80 €  |
| 13c_065a | 54763   | Float bowl, left R75/5-90/6  | 31,85 € | 37,90 € |
| 13c_065b | 54762   | Float bowl, right R75/5-90/6   | 31,85 € | 37,90 € |
| 13c_065c | 35317   | Float bowl R 100, right  | 30,84 € | 36,70 € |
| 13c_065d | 35316   | Float bowl R 100 left  | 32,77 € | 39,00 € |
| 13c_065e | 1338839 | Float bowl left R80GS-R100PD, 88-95 R80R-R100R, 91-95  | 27,65 € | 32,90 € |
| 13c_065f | 1338840 | Float bowl left R80GS-R100PD, 88-95 R80R-R100R, 91-95  | 27,65 € | 32,90 € |
| 13c_066  | 1254765 | Locking clip float bowl for BMW R50/5-R100R  | 3,28 €  | 3,90 €  |
| 13c_067a | 61704   | Idle jet #40 for BMW R75/5 until year of manufacture 1979 up to vehicle identification number 2977320  | 10,92 € | 12,99 € |
| 13c_067b | 35602   | Idle jet #50 for BMW R75/5 until year of manufacture 1979 up to vehicle identification number 2977320  | 10,92 € | 13,00 € |
| 13c_067b | 54734   | Idle jet #45 for BMW R75/5 until year of manufacture 1979 up to vehicle identification number 2977320  | 12,44 € | 14,80 € |
| 13c_068  | 54735   | O-ring idle jet for BMW R50/5-R100 and mixture regulating screw R75/5-R100   | 1,80 €  | 2,14 €  |
| 13c_069  | 39123   | Choke jet for BMW R75/5, R75/6 and R90/6, #66, slot  | 4,16 €  | 4,95 €  |
| 13c_069a | 39129   | Choke jet for BMW R75/5, R75/6 and R90S, #80, slotted  | 4,16 €  | 4,95 €  |
| 13c_071  | 35318   | Float needle "new" R45/65, R100/7-R100RS 64-2, -3 and 94   | 13,28 € | 15,80 € |
| 13c_072  | 35320   | Float valve spring R80/7-R100  | 0,67 €  | 0,80 €  |
| 13c_073  | 55557   | Idle jet #40 for BMW-motorcycles until year of manufacture 1979 from vehicle identification number 2977321 - please see details for motorcycles types!!! | 8,57 €  | 10,20 € |
| 13c_073a | 54913   | Idle jet #30 for BMW-motorcycles until year of manufacture 1979 from vehicle identification number 2977321 - please see details for motorcycles types!!! | 10,71 € | 12,75 € |
| 13c_073b | 54915   | Idle jet #35 for BMW-motorcycles until year of manufacture 1979 from vehicle identification number 2977321 - please see details for motorcycles types!!! | 10,71 € | 12,75 € |
| 13c_073c | 54916   | Idle jet #40 for BMW-motorcycles from year of manufacture 1979   | 11,97 € | 14,24 € |
| 13c_073d | 36924   | Idle jet #45 for BMW-motorcycles until year of manufacture 1979 from vehicle identification number 2977321 - please see details for motorcycles types!!! | 10,71 € | 12,75 € |
| 13c_073e | 36949   | Idle jet #50 for BMW-motorcycles from year of manufacture 1979   | 10,71 € | 12,75 € |
| 13c_073f | 36950   | Idle jet #55 for BMW-motorcycles until year of manufacture 1979 from vehicle identification number 2977321 - please see details for motorcycles types!!! | 10,71 € | 12,75 € |
| 13c_074  | 60973   | Mixing chamber insert (atomizer) R50/5-R100  | 3,53 €  | 4,20 €  |
| 13c_075  | 45196   | Needle jet #2.60 for BMW R75/5-R100  | 5,80 €  | 6,90 €  |
| 13c_075  | 54729   | Needle jet #2.73 for BMW R75/5-R100  | 5,80 €  | 6,90 €  |
| 13c_075  | 35744   | Needle jet # 2.64 for BMW R75/5-R100   | 5,80 €  | 6,90 €  |
| 13c_075  | 28028   | Needle jet #2.62 for BMW R75/5-R100  | 5,80 €  | 6,90 €  |
| 13c_075a | 57810   | Needle jet #2.70 für BMW R75/5-R100  | 5,80 €  | 6,90 €  |
| 13c_075b | 60971   | Needle jet #2.68 for BMW R75/5-R100  | 5,80 €  | 6,90 €  |



|          |         |  |         |         |
|----------|---------|--|---------|---------|
| 13c_075c | 61702   | Needle jet #2.66 for BMW R75/5-R100  | 5,80 €  | 6,90 €  |
| 13c_076  | 57812   | O-ring carburator jet for BMW R75/5-R100RS   | 1,00 €  | 1,19 €  |
| 13c_077  | 1335298 | Jet holder for BMW R80, R100 with ../94/..BING-carburator  | 5,80 €  | 6,90 €  |
| 13c_078  | 54732   | Main jet washer R75/5-R100RS   | 0,38 €  | 0,45 €  |
| 13c_079  | 39249   | Main jet, hexagon, # 180   | 4,87 €  | 5,80 €  |
| 13c_079  | 39250   | Main jet, hexagon, # 185   | 4,87 €  | 5,80 €  |
| 13c_079  | 39252   | Main jet, hexagon, # 190   | 4,87 €  | 5,80 €  |
| 13c_079  | 13176   | Main jet, hexagon, #176  | 4,87 €  | 5,80 €  |
| 13c_079  | 13178   | Main jet, hexagon, # 178   | 4,87 €  | 5,80 €  |
| 13c_079  | 39232   | Main jet, hexagon, # 95  | 4,87 €  | 5,80 €  |
| 13c_079  | 39233   | Main jet, hexagon, # 100   | 4,87 €  | 5,80 €  |
| 13c_079  | 39234   | Main jet, hexagon, # 105   | 4,87 €  | 5,80 €  |
| 13c_079  | 39235   | Main jet, hexagon, #110  | 4,87 €  | 5,80 €  |
| 13c_079  | 39236   | Main jet, hexagon, # 115   | 4,87 €  | 5,80 €  |
| 13c_079  | 39237   | Main jet, hexagon, # 120   | 4,87 €  | 5,80 €  |
| 13c_079  | 39238   | Main jet, hexagon, # 125   | 4,87 €  | 5,80 €  |
| 13c_079  | 39239   | Main jet, hexagon, # 130   | 4,87 €  | 5,80 €  |
| 13c_079  | 39240   | Main jet, hexagon, # 135   | 4,87 €  | 5,80 €  |
| 13c_079  | 39241   | Main jet, hexagon, # 140   | 4,87 €  | 5,80 €  |
| 13c_079  | 39242   | Main jet, hexagon, # 145   | 4,87 €  | 5,80 €  |
| 13c_079  | 39243   | Main jet, hexagon, # 150   | 4,87 €  | 5,80 €  |
| 13c_079  | 39244   | Main jet, hexagon, # 155   | 4,87 €  | 5,80 €  |
| 13c_079  | 39245   | Main jet, hexagon, # 160   | 4,87 €  | 5,80 €  |
| 13c_079  | 39248   | Main jet, hexagon, # 175   | 4,87 €  | 5,80 €  |
| 13c_079  | 39247   | Main jet, hexagon, # 170   | 4,87 €  | 5,80 €  |
| 13c_079  | 39246   | Main jet, hexagon, # 165   | 4,87 €  | 5,80 €  |
| 13c_079  | 39231   | Main jet, hexagon, # 90  | 4,87 €  | 5,80 €  |
| 13c_080  | 1254736 | Spring for idle mixture screw for BMW R75/5  | 0,71 €  | 0,84 €  |
| 13c_081  | 1335302 | Mixture regulating screw for BMW R75/5-R100, R45/R65 and R65GS-R100GS  | 3,45 €  | 4,11 €  |
| 13c_082a | 1254654 | Air tube rubber for BMW BMW R45 & R65, R75/5-R100/7, 64/32/... (head/carb.), R80/7 from year of manufacture 1981 (carb./intake tube)                       | 6,30 €  | 7,50 €  |
| 13c_083  | 61026   | Clamp for fork boot for R50/5-R100/7 (clamp with screw)  | 1,26 €  | 1,50 €  |
| 13c_083  | 9061026 | Clamp for air tube for R50/5 (clamp with screw)  | 1,26 €  | 1,50 €  |
| 13c_083  | 9161026 | Clamp for Air tube rubber for R75/5, R75/6, R90/6 (clamp with screw)   | 1,26 €  | 1,50 €  |
| 13c_084  | 9057338 | Clamp screw, choke cable for BMW R75/5-R100 until year of manufacture 08/1980 and for BMW R45 and R65 until year of manufacture 08/1980                    | 5,04 €  | 6,00 €  |
| 13c_085a | 1252826 | Choke cable for BMW R75/5, until year of manufacture 01/1971, flexibel, left side (up to FIN 2977320) only with carburator 64/32/3                         | 7,48 €  | 8,90 €  |
| 13c_085b | 1252827 | Choke cable for BMW R75/5, until year of manufacture 01/1971, flexibel, right side (up to FIN 2977320) only with carburator 64/32/4                        | 7,48 €  | 8,90 €  |
| 13c_085c | 1255976 | Choke cable for BMW R75/5, from year of manufacture 01/1971, stiff, left side and for BMW R90/6, R45 und R65, R80, R100 until year of manufacture 09/1980  | 7,14 €  | 8,50 €  |
| 13c_085d | 1255977 | Choke cable for BMW R75/5, from year of manufacture 01/1971, stiff, right side and for BMW R90/6, R45 und R65, R80, R100 until year of manufacture 09/1980 | 7,77 €  | 9,25 €  |
| 13c_086  | 1256019 | Choke cable nipple at adjusting lever for R75/5-R100 until year of manufacture 08/1980   | 2,69 €  | 3,20 €  |
| 13c_087  | 21038   | Nur M 5 for throttle adjusting screw   | 0,25 €  | 0,30 €  |
| 13c_088  | 1260191 | Choke lever from BMW R75/5 on gearbox  | 40,34 € | 48,00 € |
| 13c_089  | 1256295 | Adjusting screw choke cable carburator for BMW R75/5-R100 until year of manufacture 08/1980 for stiff choke cable  | 5,21 €  | 6,20 €  |
| 13c_091  | 39182   | Nut M 6 for throttle adjusting screw   | 0,46 €  | 0,55 €  |



**Group 13d Dellorto carburetor R90S**



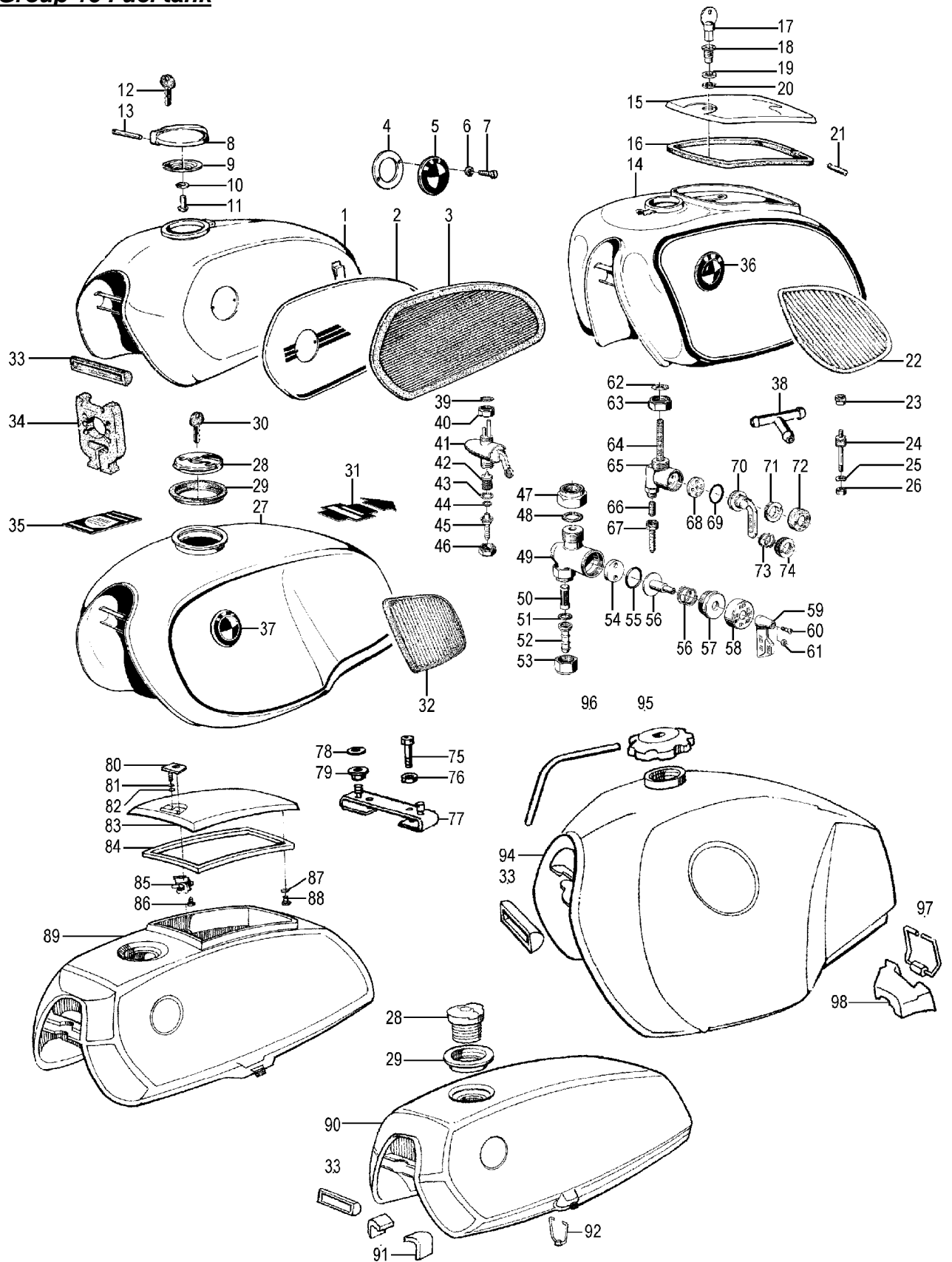
| <u>Picture-No.</u> | <u>Article-No.</u> | <u>Description</u>   | <u>Net</u> | <u>Gross</u> |
|--------------------|--------------------|--|------------|--------------|
| 13d_000            | 39006              | Gasket set for Carburettor for BMW R90S, Dellorto  | 10,04 €    | 11,95 €      |
| 13d_001            | 62399              | Dellorto carburettor R90S RH   | 226,05 €   | 269,00 €     |
| 13d_001            | 62398              | Dellorto carburettor R90S LH   | 226,05 €   | 269,00 €     |
| 13d_002            | 1260874            | Grommet for throttle cable on carburettor Dellorto also grommet for choke cable Dellorto | 1,01 €     | 1,20 €       |
| 13d_007            | 1264281            | Throttle adjusting screw for BMW R90S, Dellorto only for the old version !               | 5,00 €     | 5,95 €       |
| 13d_008            | 1260845            | CarbTop screw R90S   | 1,09 €     | 1,30 €       |
| 13d_009            | 1260880            | Jet needle retaining spring Dellorto   | 0,80 €     | 0,95 €       |
| 13d_010            | 1260882            | Jet needle Dellorto  | 11,60 €    | 13,80 €      |
| 13d_011            | 260881             | Throttle slide R90S  | 42,69 €    | 50,80 €      |
| 13d_012            | 260883             | O-ring slide top Dellorto for BMW R90S   | 1,85 €     | 2,20 €       |
| 13d_014            | 260846             | Carburator slide cover Dellorto  | 4,62 €     | 5,50 €       |
| 13d_015            | 260879             | Slide spring Dellorto  | 1,85 €     | 2,20 €       |
| 13d_016            | 1260848            | Spring for fuel pump Dellorto for BMW R90S   | 0,42 €     | 0,50 €       |
| 13d_017            | 1260847            | Bolt fuel-pump Dellorto  | 1,60 €     | 1,90 €       |
| 13d_018            | 1260849            | Fuel pump lever Dellorto   | 1,43 €     | 1,70 €       |
| 13d_021            | 36968              | Screw for carburator clamp   | 1,93 €     | 2,30 €       |
| 13d_022            | 1260885            | Isolating bushing carburettor for BMW R90S   | 3,53 €     | 4,20 €       |
| 13d_024            | 1260890            | Gasket ring Dellorto fuel entry  | 1,51 €     | 1,80 €       |
| 13d_025            | 1260889            | Fuel inlet cover Dellorto  | 4,33 €     | 5,15 €       |
| 13d_026            | 260888             | Sieve Dellorto tube adapter  | 2,44 €     | 2,90 €       |



|         |         |  |         |         |
|---------|---------|--|---------|---------|
| 13d_027 | 1260875 | Adjusting screw choke cable for BMW R90S, Dellorto             | 4,12 €  | 4,90 €  |
| 13d_028 | 1260876 | Adjusting screw nut choke cable for BMW R90S, Dellorto         | 0,55 €  | 0,65 €  |
| 13d_030 | 1261353 | Spring for choke Dellorto for BMW R90S                         | 0,97 €  | 1,15 €  |
| 13d_031 | 261354  | Piston valve Dellorto  | 2,10 €  | 2,50 €  |
| 13d_034 | 1261357 | Gasket valve base for BMW R90S Dellorto                        | 1,47 €  | 1,75 €  |
| 13d_035 | 1260871 | Dellorto mixing chamber  | 8,57 €  | 10,20 € |
| 13d_036 | 1260872 | Jet holder Dellorto  | 6,64 €  | 7,90 €  |
| 13d_037 | 1260873 | Main jet, Dellorto, # 155                                      | 2,44 €  | 2,90 €  |
| 13d_038 | 260893  | Idle jet for BMW R90S Dellorto                                 | 12,52 € | 14,90 € |
| 13d_039 | 260892  | Ball valve Dellorto  | 8,15 €  | 9,70 €  |
| 13d_040 | 1261358 | Injection valve Dellorto                                       | 3,78 €  | 4,50 €  |
| 13d_041 | 260861  | O-ring power enrichment valve Dellorto jet and injection valve | 0,76 €  | 0,90 €  |
| 13d_043 | 260895  | Float valve Dellorto   | 11,72 € | 13,95 € |
| 13d_044 | 260896  | Float Dellorto   | 12,35 € | 14,70 € |
| 13d_046 | 260898  | O-ring float chamber Dellorto for BMW R90S                     | 2,35 €  | 2,80 €  |
| 13d_047 | 260899  | Float chamber cover Dellorto                                   | 20,97 € | 24,95 € |
| 13d_048 | 1260900 | Gasket ring for float chamber screw Dellorto                   | 0,50 €  | 0,60 €  |
| 13d_049 | 260901  | Float bowl screw, Dellorto, new version                        | 10,25 € | 12,20 € |
| 13d_052 | 1260855 | Gasket ring Dellorto jet holder                                | 0,33 €  | 0,39 €  |
| 13d_055 | 1260858 | Washer for slide adjusting screw of Dellorto carburettor       | 0,84 €  | 1,00 €  |
| 13d_056 | 1260857 | Spring for adjusting-screw Dellorto                            | 1,60 €  | 1,90 €  |
| 13d_057 | 1260856 | Slide adjusting screw of Dellorto carburettor of BMW R90S      | 2,69 €  | 3,20 €  |
| 13d_058 | 260850  | O-ring carburator regulating screw Dellorto for BMW R90S       | 1,47 €  | 1,75 €  |
| 13d_059 | 1260851 | Washer for mixture regulating screw of Dellorto carburettor    | 0,76 €  | 0,90 €  |
| 13d_060 | 1260852 | Spring for idle mixture screw Dellorto for BMW R90S            | 0,63 €  | 0,75 €  |
| 13d_061 | 1260853 | Mixture regulating screw for BMW R90S                          | 3,28 €  | 3,90 €  |
| 13d_062 | 260870  | Diaphragm Dellorto carburettor for BMW R90S                    | 30,17 € | 35,90 € |
| 13d_063 | 1260869 | Spring for pump cover Dellorto for BMW R90S                    | 0,76 €  | 0,90 €  |
| 13d_064 | 260860  | Pump valve Dellorto  | 7,52 €  | 8,95 €  |
| 13d_065 | 260859  | O-ring pump valve Dellorto and regulation screw bottom         | 1,60 €  | 1,90 €  |
| 13d_067 | 260863  | O-ring adjusting screw Dellorto for BMW R90S                   | 1,47 €  | 1,75 €  |



**Group 16 Fuel tank**



| <u>Picture-No.</u> | <u>Article-No.</u> | <u>Description</u>  | <u>Net</u> | <u>Gross</u> |
|--------------------|--------------------|---|------------|--------------|
| 16_00              | 1303017            | Fuel hose quick-connector, Ø 7,5mm                                  | 7,52 €     | 8,95 €       |
| 16_00              | 1403017            | Fuel hose quick-connector, Ø 9mm NOT for BMW-oldtimer-motorcycle    | 7,52 €     | 8,95 €       |
| 16_000             | 1455167            | Grommet for cable holder R80PD-R100R, 09/90->                       | 0,49 €     | 0,58 €       |
| 16_000             | 2307010            | Fuel tank breather-tube R60/7-R100, R45/65 R80-R100R, GS/PD         | 12,56 €    | 14,95 €      |
| 16_000             | 2307037            | Sticker "800" black for BMW R80GS, Fuel tank, left side             | 13,40 €    | 15,95 €      |
| 16_000             | 99201              | Fuel hose clamp with contact jaw omega style                        | 1,09 €     | 1,30 €       |
| 16_000             | 99993              | Fuel-filter with paper inlay, stick-in-hose, universal, transparent | 2,35 €     | 2,80 €       |



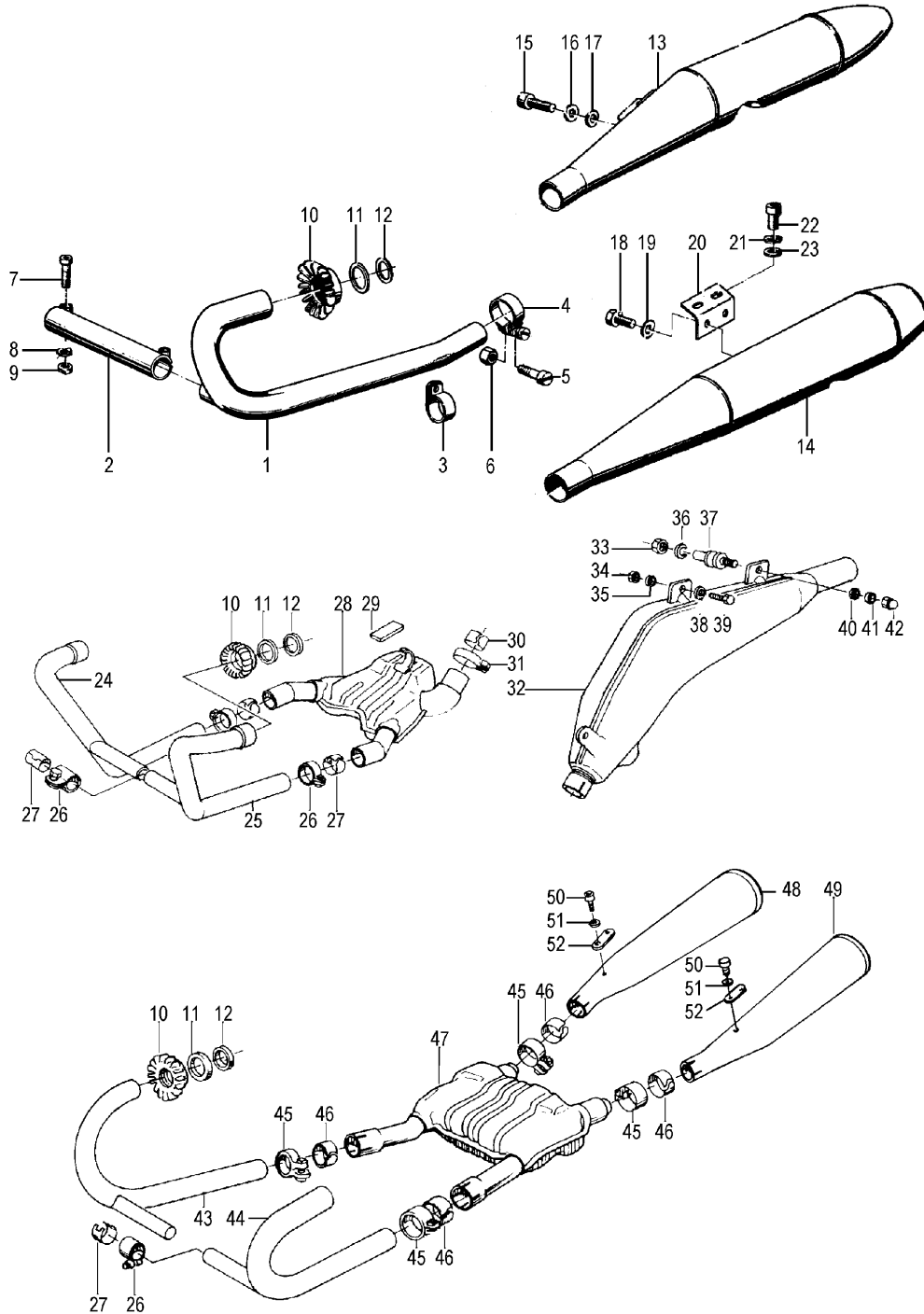
|         |         |   |          |          |
|---------|---------|---|----------|----------|
| 16_000  | 99200   | Fuel hose clamp with snail thread   | 0,92 €   | 1,09 €   |
| 16_000  | 2323569 | Sticker for BMW "BOXER" left side silver  | 33,26 €  | 39,58 €  |
| 16_000  | 2323570 | Sticker for BMW "BOXER" right side silver   | 33,26 €  | 39,58 €  |
| 16_000  | 1234819 | Tool box gasket, R60/7-R100, 74-84  | 3,57 €   | 4,25 €   |
| 16_001a | 32001   | Fuel tank R50/5-R75/5, painted (for chrome-panels)  | 562,94 € | 669,90 € |
| 16_002  | 1231866 | Chrom-panel for fuel tank "toaster" (17L) left side for BMW R50/5-R75/5 until year of manufacture 09/1972                                 | 83,19 €  | 99,00 €  |
| 16_002a | 1231867 | Chrom-panel for fuel tank "toaster" (17L), right side for BMW R50/5-R75/5 until year of manufacture 09/1972                               | 83,19 €  | 99,00 €  |
| 16_003a | 1232235 | Knee pad for BMW R50/5-R90/6, on 17L-tank, from year of manufacture 09/1972, only left side (single = 1 pc.)                              | 24,37 €  | 29,00 €  |
| 16_003b | 1232236 | Knee pad for BMW R50/5-R90/6, on 17L-tank, from year of manufacture 09/1972, only right side (single = 1 pc.)                             | 24,37 €  | 29,00 €  |
| 16_004  | 1230506 | Emblem rubber for tank for BMW R50/5-R75/5  | 4,71 €   | 5,60 €   |
| 16_005  | 30769   | Emblem for BMW R50/5-R75/5, tank, enamel, for screwing original BMW   | 36,05 €  | 42,90 €  |
| 16_007  | 9901703 | Emblem screw for BMW R50/5-R75/5 and R90S stainless steel   | 0,38 €   | 0,45 €   |
| 16_007  | 1038    | Emblem screw for BMW R25/2-R69S stainless steel   | 0,34 €   | 0,40 €   |
| 16_007a | 9910381 | Emblem screw for BMW R24-R69S, cross-slot stainless steel   | 0,38 €   | 0,45 €   |
| 16_008  | 32348   | Fuel tank cap for BMW R50/5-R90S with lock  | 75,55 €  | 89,90 €  |
| 16_008a | 1232348 | Fuel tank cap for BMW R50/5-R90S without lock   | 41,93 €  | 49,90 €  |
| 16_009  | 30603   | Gasket for fuel tank cap from BMW R50/5-R90S  | 17,90 €  | 21,30 €  |
| 16_010  | 36413   | Shim for fuel tank cap for BMW R50/5-R90S   | 1,05 €   | 1,25 €   |
| 16_011  | 44651   | Groove pin for fuel tank cap for BMW R50/5-R90S   | 1,39 €   | 1,65 €   |
| 16_012  | 9062680 | Key base, standard, solid, --> '80  | 4,37 €   | 5,20 €   |
| 16_012  | 53659   | Key base foldable   | 17,56 €  | 20,90 €  |
| 16_012  | 1233554 | Key base, standard, solid, '80 -->  | 8,91 €   | 10,60 €  |
| 16_013  | 30883   | Fuel tank cap axle for BMW R50/5-R90S   | 4,12 €   | 4,90 €   |
| 16_014  | 33864   | Fuel tank R50/5-R75/6, 24L, new painted good condition – PLEASE CONTACT US BEFORE ORDER TO TALK ABOUT                                     | 562,10 € | 668,90 € |
| 16_014b | 33862   | Fuel tank R50/5-90S, 22L, with tool box   | 714,20 € | 849,90 € |
| 16_015  | 31298   | Tool box cover R25/2-27, R51/3-68 opens lengthways  | 40,97 €  | 48,75 €  |
| 16_016  | 80188   | Tool box gasket, R25-/2, 26/27, 51/2-68, /5-100   | 5,00 €   | 5,95 €   |
| 16_017  | 41016   | Tool box key, square-end also battery cover key for R26/27  | 3,78 €   | 4,50 €   |
| 16_018  | 80165   | Tool box screw, square (separate)   | 2,77 €   | 3,30 €   |
| 16_018  | 0180167 | Tool box screw, square (complete with mounting parts)   | 3,74 €   | 4,45 €   |
| 16_020  | 63108   | O-ring tool box lock screw  | 0,34 €   | 0,40 €   |
| 16_021  | 10140   | Tool box cover split pin, /5-100 (box in tank)  | 0,46 €   | 0,55 €   |
| 16_022a | 1230048 | Knee pad for BMW R50/5-R90/6, on 24L-tank, only left side (single = 1 pc.)  | 22,27 €  | 26,50 €  |
| 16_022b | 1230049 | Knee pad for BMW R50/5-R90/6 on 24L-tank, only right side (single = 1 pc.)  | 22,27 €  | 26,50 €  |
| 16_023  | 33457   | Plastic nut, tank mount rear, batterie bracket  | 3,78 €   | 4,50 €   |
| 16_024  | 30045   | Tank holder rubber R50/5-R100 rear  | 7,52 €   | 8,95 €   |
| 16_027a | 52283   | Fuel tank R60/7-R80/7 crude, original   | 642,77 € | 764,90 € |
| 16_027b | 52284   | Fuel tank R60/7-R80/7, painted  | 747,90 € | 890,00 € |
| 16_028  | 1453910 | Gasket for fuel tank cap for BMW R65GS, R80GS Basic und R80G/S from year of manufacture 1980-1992   | 7,73 €   | 9,20 €   |
| 16_029  | 53148   | Gasket for fuel tank cap from BMW R60/7->   | 6,39 €   | 7,60 €   |
| 16_029  | 07360   | Outer ring for fuel tank cap from BMW R60/7   | 6,05 €   | 7,20 €   |
| 16_031  | 1237917 | Sticker 1. Aid Set fuel tank  | 7,48 €   | 8,90 €   |
| 16_032a | 1234048 | Knee pad for BMW R90S and R60/7-R100, only right side (single = 1 pc.)  | 27,65 €  | 32,90 €  |
| 16_032b | 1234047 | Knee pad for BMW R90Sm and R60/7-R100, only left side (single = 1 pc.)  | 27,65 €  | 32,90 €  |
| 16_033a | 230031  | Fuel tank holder rubber front R50/5-R100 ->84   | 4,96 €   | 5,90 €   |
| 16_033b | 36124   | Tank holder rubber, front, 85->   | 4,79 €   | 5,70 €   |
| 16_034  | 1230030 | Tank support rubber for BMW models, from year of manufacture 09/1969  | 5,13 €   | 6,10 €   |
| 16_035  | 1453617 | Sticker Sicherer mit Helm, for fuel tank (Safe with helmet)   | 3,99 €   | 4,75 €   |
| 16_036b | 37927   | Emblem for BMW R90S, Tank - fits also for BMW R50/5-R100 enamel, stick-on label, original BMW   | 33,19 €  | 39,50 €  |
| 16_036b | 7686746 | Emblem for BMW R60/6-R100RT until 1987 and for seat bench R90S, R100S, CS, RS, RT until 09/1984 Ø=70mm, Alu, stick on label, original BMW | 15,04 €  | 17,90 €  |
| 16_036c | 2325183 | Emblem for BMW R80GS, R100GS from year of manufacture 09/1987 and R80R, R100R aluminum, stick-on label, original BMW                      | 10,84 €  | 12,90 €  |
| 16_038  | 1336900 | Fuel hose connector, T-piece  | 5,00 €   | 5,95 €   |
| 16_039  | 4084110 | Gasket ring fuel cock Everbest-shape for BMW R25/3-R27 and R50/5-R75/5 fits also fuelcock for R24 with external thread                    | 1,39 €   | 1,65 €   |
| 16_043  | 4084109 | Gasket ring for original "old" fuel cock Everbest A18 x 21  | 1,26 €   | 1,50 €   |
| 16_048  | 40060   | Gasket ring fuel cock/tank for BMW R25/3-R69S and R50/5-R100 for all fuel cocks with connection M20x1                                     | 0,63 €   | 0,75 €   |
| 16_049  | 84008   | Pet cock for R25/3-R27, R50/5-R75/5, R60/6-R90S, with 1 outflow/leaving, "Everbest" ORIGINAL-FORM "EVERBEST"                              | 41,93 €  | 49,90 €  |
| 16_055  | 1234869 | O-ring pet cock (new shape) for BMW R50/5-R100  | 1,81 €   | 2,15 €   |
| 16_058  | 1233367 | Pet cock cover from BMW R50/5 black   | 2,06 €   | 2,45 €   |



|         |         |   |          |          |
|---------|---------|---|----------|----------|
| 16_062  | 63077   | Gasket ring fuel cock for small threads, M14 Frankfurter Armaturenwerke                           | 0,63 €   | 0,75 €   |
| 16_063  | 84120   | Pet cock nut for R25/3-R69S M16x1 left-hand thread, M20x1 right-hand thread                       | 2,77 €   | 3,30 €   |
| 16_064  | 2307112 | Pet cock sieve in tank for pet cock "new form" inner Ø: 10mm, outer Ø: 13mm, length: 115mm        | 4,24 €   | 5,05 €   |
| 16_065  | 80008   | Pet cock for BMW R25/3-R27 and R50/5-R75/5, with 1 outflow/leaving                                | 28,53 €  | 33,95 €  |
| 16_067  | 33366   | Pet cock fuel line adaptor (single) with fine sieve   | 1,93 €   | 2,30 €   |
| 16_068  | 1238924 | Pet cock Viton-sealing-washer for Karcoma pet cocks "new form"                                    | 2,94 €   | 3,50 €   |
| 16_069  | 1234869 | O-ring pet cock (new shape) for BMW R50/5-R100  | 1,81 €   | 2,15 €   |
| 16_072a | 1240400 | Pet cock new shape for BMW R50/5-R90S, 1 outlet downwards   | 39,41 €  | 46,90 €  |
| 16_072b | 1233557 | Pet cock new shape, with 2 outflow/leaving  | 44,12 €  | 52,50 €  |
| 16_072c | 2307113 | Pet cock new form for BMW R60/7-R100, left side with socketsieve                                  | 46,72 €  | 55,60 €  |
| 16_072d | 2307114 | Pet cock new form for BMW R60/7-R100, right side with socketsieve                                 | 39,41 €  | 46,90 €  |
| 16_072e | 08008   | Pet cock for BMW R25/3-R27 and R50/5-R100 WITH drain-pool   | 36,89 €  | 43,90 €  |
| 16_078  | 34336   | Steering damper and tank-circlip  | 0,97 €   | 1,15 €   |
| 16_079  | 1453144 | Tank holder rubber R65-R100 1985->, rear  | 1,43 €   | 1,70 €   |
| 16_090  | 38728   | Fuel tank R45/65, new white painted   | 562,44 € | 669,30 € |
| 16_091a | 37552   | Fuel tank holder, rear R 45/65, left  | 12,52 €  | 14,90 €  |
| 16_091b | 37553   | Rear tank support plate R45/65 RH   | 12,52 €  | 14,90 €  |
| 16_092  | 1240159 | Fuel tank spanner, rear, R 45/65, 80GS, ST  | 14,20 €  | 16,90 €  |
| 16_092a | 2307004 | Fuel tank spanner, rear, R 45/65, 80GS, ST  | 24,54 €  | 29,20 €  |
| 16_095  | 1453817 | Fuel tank cap for BMW R65GS-R100GS/PD from year of manufacture 1980 - Sep 1991 lockable           | 36,05 €  | 42,90 €  |
| 16_095  | 1453910 | Gasket for fuel tank cap for BMW R65GS, R80GS Basic und R80G/S from year of manufacture 1980-1992 | 7,73 €   | 9,20 €   |
| 16_096  | 2307010 | Fuel tank breather-tube R60/7-R100, R45/65 R80-R100R, GS/PD                                       | 12,56 €  | 14,95 €  |
| 16_097  | 1240159 | Fuel tank spanner, rear, R 45/65, 80GS, ST  | 14,20 €  | 16,90 €  |
| 16_097  | 2307004 | Fuel tank spanner, rear, R 45/65, 80GS, ST  | 24,54 €  | 29,20 €  |
| 16_098  | 2307014 | Fuel tank support, rear, R65GS-R100R  | 17,31 €  | 20,60 €  |



**Group 18 Exhaust system**



| <b>Picture-No.</b> | <b>Article-No.</b> | <b>Description</b>   | <b>Net</b> | <b>Gross</b> |
|--------------------|--------------------|--|------------|--------------|
| 18_000             | 61922              | Grommet silencer R 100R  | 1,33 €     | 1,58 €       |
| 18_000             | 90139              | Wrench for finned exhaust nut forged steel, professional workshop quality  | 23,53 €    | 28,00 €      |
| 18_000             | 9988100            | Exhaust pipe cover for BMW R50/5-R100, Set complete with clamps stainless steel  | 51,26 €    | 61,00 €      |
| 18_000             | 1452066            | Exhaust pipe for BMW R65 and R65RT SF from year of manufacture 09/1984, right side original BMW                        | 126,05 €   | 150,00 €     |
| 18_000             | 1452065            | Exhaust pipe for BMW R65 and R65RT SF from year of manufacture 09/1984, left side original BMW                         | 126,05 €   | 150,00 €     |
| 18_000             | 9988101            | Exhaust pipe cover for BMW R50/5-R100, single without clamp stainless steel  | 23,95 €    | 28,50 €      |
| 18_001a            | 1230434            | Exhaust pipe for BMW R50/5-R100, Set with crosspipe 38mm   | 252,02 €   | 299,90 €     |
| 18_001aa           | 112001             | Exhaust pipe for BMW R50/5-R100, Set with crosspipes 38mm, stainless steel   | 276,47 €   | 329,00 €     |
| 18_001b            | 1237149            | Exhaust pipe for BMW R80/7-R100 from year of manufacture 1981, Set with 2 crosspipes NOT for models with oilcooler!!!! | 258,82 €   | 308,00 €     |
| 18_001c            | 1234441            | Exhaust pipe for BMW R100S, RS, RT, CS, years of manufacture 1978-1980, left side 40mm                                 | 120,97 €   | 143,95 €     |
| 18_001c            | 1234442            | Exhaust pipe for BMW R100S, RS, RT, CS, years of manufacture 1978-1980, right side 40mm                                | 120,97 €   | 143,95 €     |
| 18_001cc           | 0112002            | Exhaust pipe for BMW R100S, RS, RT, CS, years of manufacture 1978 - 1980, Set with crosspipes, 40mm stainless steel    | 276,47 €   | 329,00 €     |





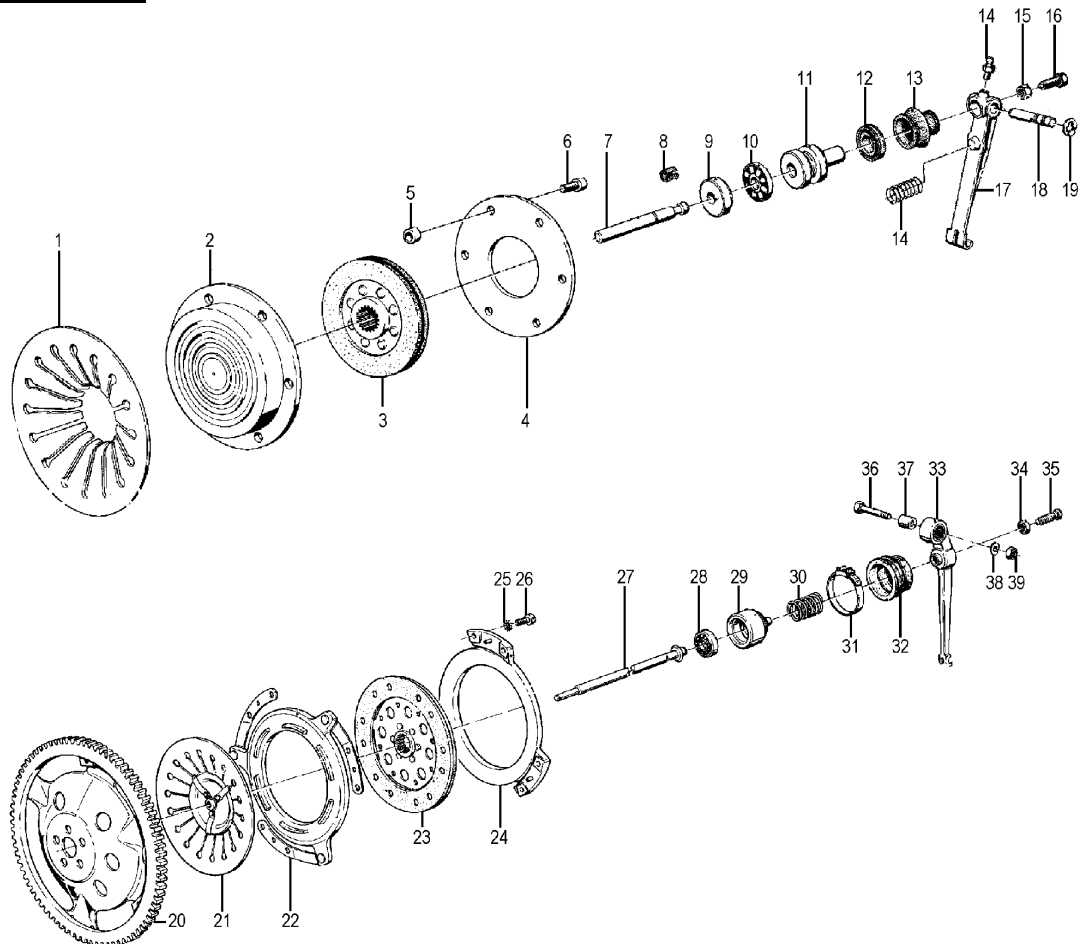
|          |         |   |          |          |
|----------|---------|---|----------|----------|
| 18_001d  | 1238272 | Exhaust pipe for BMW R45 and R65 until year of manufacture 08/1980, right side                                      | 120,97 € | 143,95 € |
| 18_001d  | 1238271 | Exhaust pipe for BMW R45 and R65 until year of manufacture 08/1980, left side                                       | 120,97 € | 143,95 € |
| 18_001e  | 1337218 | Exhaust pipe for BMW R45 and R65 from year of manufacture 09/1980, right side for 2 crosspipes                      | 102,52 € | 122,00 € |
| 18_001e  | 1337217 | Exhaust pipe for BMW R45 and R65 from year of manufacture 09/1980, left side for 2 crosspipes                       | 102,52 € | 122,00 € |
| 18_001f  | 30433   | Exhaust pipe for BMW R50/5-R100, right side original BMW  | 123,49 € | 146,95 € |
| 18_001g  | 30434   | Exhaust pipe for BMW R50/5-R100, left side original BMW   | 123,49 € | 146,95 € |
| 18_001i  | 2030434 | Exhaust pipe for BMW R50/5-R100, left side 38mm   | 115,97 € | 138,00 € |
| 18_002a  | 21035   | Crosspipe R50/5-100 repro   | 27,27 €  | 32,45 €  |
| 18_002b  | 238281  | Crosspipe R45/65, front (long) 1978->   | 29,33 €  | 34,90 €  |
| 18_002bb | 1238281 | Crosspipe R45/65, front (long) 1978-> Orig. BMW   | 54,20 €  | 64,50 €  |
| 18_002c  | 337234  | Crosspipe R45/R65, rear (short) 1981->  | 25,00 €  | 29,75 €  |
| 18_002d  | 302011  | Cross pipe R65, front (long) black 1981->   | 21,73 €  | 25,86 €  |
| 18_002e  | 302012  | Crosspipe R65, rear (short) black 1981->  | 41,93 €  | 49,90 €  |
| 18_002f  | 1230638 | Crosspipe R50/5-R100 BMW  | 54,54 €  | 64,90 €  |
| 18_002g  | 1337152 | Crosspipe R60/7-R100, rear 1981-> BMW   | 63,95 €  | 76,10 €  |
| 18_003a  | 1230587 | Exhaust pipe clamp for BMW R50/5-R100 until year of manufacture 09/1984, left side for 38mm pipes                   | 10,00 €  | 11,90 €  |
| 18_003b  | 1230432 | Exhaust-pipe clamp for BMW R50/5-R100 until year of manufacture 09/1984, right side for 38mm pipes                  | 10,00 €  | 11,90 €  |
| 18_003c  | 1234445 | Exhaust pipe clamp for BMW R100S and R100RS, left side for 40mm pipes   | 6,47 €   | 7,70 €   |
| 18_003e  | 1238322 | Exhaust pipe clamp for BMW R45 and R65 from year of manufacture 09/1984, left side                                  | 5,95 €   | 7,08 €   |
| 18_003f  | 1238274 | Exhaust pipe clamp for BMW R45 and R65 from year of manufacture 09/1984, right side                                 | 5,95 €   | 7,08 €   |
| 18_004   | 1336553 | Exhaust pipe clamp for BMW R50/5-R100, 38mm chrome plated   | 5,34 €   | 6,35 €   |
| 18_004b  | 1336555 | Clamp for muffler, R100S and RS diameter: 40mm, chrome  | 6,64 €   | 7,90 €   |
| 18_004c  | 1238282 | Exhaust pipe clamp for BMW R45 and R65, R80G/S, until year of manufacture 09/1984 chrome plated                     | 7,48 €   | 8,90 €   |
| 18_005a  | 098820  | Screw M8x20, stainless, allen-head, exhaust /5  | 0,59 €   | 0,70 €   |
| 18_005b  | 98198   | Screw M8x20 allen-head  | 0,34 €   | 0,40 €   |
| 18_010a  | 4090270 | Exhaust nut for BMW R50/5-R90S "Big"  | 23,53 €  | 28,00 €  |
| 18_010b  | 1234721 | Exhaust nut for BMW from R60/7 up "small"   | 18,40 €  | 21,90 €  |
| 18_010c  | 1335595 | Exhaust nut for BMW R45 and R65 (fits also on R68, R69 and R69S)  | 19,37 €  | 23,05 €  |
| 18_011a  | 1230585 | Exhaust thrust ring for BMW R50/5-R100, 38mm  | 4,20 €   | 5,00 €   |
| 18_011b  | 1234448 | Exhaust thrust ring for BMW R100, 40mm  | 5,00 €   | 5,95 €   |
| 18_012a  | 1230586 | Exhaust clamp ring for BMW R50/5-R100, 38mm   | 6,30 €   | 7,50 €   |
| 18_012b  | 1234449 | Exhaust clamp ring for BMW R100, 40mm   | 7,48 €   | 8,90 €   |
| 18_012c  | 1335598 | Exhaust clamp ring for BMW R45 and R65  | 7,98 €   | 9,50 €   |
| 18_013   | 32921   | Muffler for BMW R50/5-R75/5, Cigar-shape, right side with ECE-ABE   | 201,60 € | 239,90 € |
| 18_013   | 11059   | Muffler-Set for BMW R50/5-R100, Cigar shape with ECE-ABE stainless steel polished                                   | 418,49 € | 498,00 € |
| 18_013   | 32920   | Muffler for BMW R50/5-R75/5, Cigar-shape, left side with ECE-ABE  | 201,60 € | 239,90 € |
| 18_013   | 9012001 | Heat-protection for silencers for BMW50/5-R100 up to year of manufacture 09/1984 stainless steel                    | 26,89 €  | 32,00 €  |
| 18_013a  | 1232921 | Muffler-Set for BMW R50/5-R75/5, Cigar shape without ECE-ABE for 38mm and 40mm exhaust pipe                         | 167,98 € | 199,90 € |
| 18_013b  | 90120   | Heat-protection set for silencers incl. clamps for BMW R50/5-R100 until year of manufacture 09/1984 stainless steel | 58,74 €  | 69,90 €  |
| 18_014   | 233210  | Muffler for BMW R60/6-R100, 38mm, with ECE-ABE, left side until year of manufacture 09/1984                         | 188,99 € | 224,90 € |
| 18_014   | 33211   | Muffler for BMW R60/6-R100, 38mm, with ECE-ABE, right side until year of manufacture 09/1984                        | 188,99 € | 224,90 € |
| 18_014a  | 34453   | Muffler for BMW R100, 40mm, with ECE-ABE, right side  | 188,99 € | 224,90 € |
| 18_014a  | 34452   | Muffler for BMW R100, 40mm, with ECE-ABE, left side   | 188,99 € | 224,90 € |
| 18_014b  | 33210   | Muffler-Set for BMW R60/6-R100RT, without ECE-ABE, 38mm and 40mm until year of manufacture 09/1984                  | 139,20 € | 165,65 € |
| 18_014c  | 2302013 | Muffler for BMW R65LS, black, left side original BMW  | 260,50 € | 310,00 € |
| 18_014c  | 2302014 | Muffler for BMW R65LS, black, right side original BMW   | 260,50 € | 310,00 € |
| 18_014d  | 38276   | Muffler for BMW R45 & R65, with ECE-ABE; chrome, right side up to year of manufacture 09/1984                       | 188,99 € | 224,90 € |
| 18_014d  | 38275   | Muffler for BMW R45 & R65, with ECE-ABE, chrome, left side up to year of manufacture 09/1984                        | 188,99 € | 224,90 € |
| 18_014e  | 700351  | Muffler for BMW R50/5-R100, Sport-shape, 38mm, right side without ECE-ABE   | 155,38 € | 184,90 € |
| 18_014e  | 70351   | Muffler for BMW R50/5-R100, Sport-shape, 38mm, left side without ECE-ABE  | 155,38 € | 184,90 € |
| 18_014f  | 700352  | Muffler for BMW R100, SportShape, 40mm, without ECE-ABE, right side   | 155,38 € | 184,90 € |
| 18_014f  | 70352   | Muffler for BMW R100, SportShape, 40mm, without ECE-ABE, left side  | 155,38 € | 184,90 € |
| 18_020   | 1233033 | Exhaust angle bracket for BMW R50/5-R100, year of manufacture from 1969 until 09/1984                               | 3,91 €   | 4,65 €   |
| 18_020a  | 14025   | Exhaust angle bracket for BMW R50/5-R100, year of manufacture from 1969 until 09/1984 stainless steel               | 12,86 €  | 15,30 €  |



|         |         |  |          |          |
|---------|---------|--|----------|----------|
| 18_024a | 1452500 | Exhaust pipe for BMW R80GS-R100PD year of manufacture 1988 - 1995, right side and R80R, R100R/MYS until year of manufacture 1995, original BMW               | 142,35 € | 169,40 € |
| 18_024b | 1458192 | Exhaust pipe for BMW R65GS, right side chromed, original BMW   | 125,00 € | 148,75 € |
| 18_025a | 1452399 | Exhaust pipe for BMW R80GS-R100PD, years of manufacture 1988 - 1995, left side and R80R, R100R/MYS until year of manufacture 1995, original BMW              | 142,35 € | 169,40 € |
| 18_025b | 1458191 | Exhaust pipe for BMW R65GS, left side chromed, original BMW  | 125,00 € | 148,75 € |
| 18_026  | 1454638 | Exhaust pipe clamp crosspipe for BMW R65 from year of manufacture 09/1984 and for BMW R80GS, R100GS, R80R and R100R from year of manufacture 1988, 27mm      | 23,95 €  | 28,50 €  |
| 18_026a | 1457663 | Exhaust pipe clamp for BMW R80GS-100PD from year of manufacture 09/1987, left side and for BMW R80R und R100R  | 10,84 €  | 12,90 €  |
| 18_026b | 1457664 | Exhaust pipe clamp for BMW R80GS-100PD from year of manufacture 09/1987, right side and for BMW R80R und R100R   | 10,84 €  | 12,90 €  |
| 18_026c | 1454636 | Exhaust pipe clamp, crosspipe for BMW R80-100RT from year of manufacture 09/1984 31mm  | 22,27 €  | 26,50 €  |
| 18_027  | 1454639 | Gasket x-pipe for BMW R65 until year of manufacture 1985, R80-R100GS, PD, R, 27mm  | 6,51 €   | 7,75 €   |
| 18_027  | 2331956 | Gasket exhaust pipes for BMW R80GS-R100PD and R80/R100R from year of manufacture 09/1987   | 8,57 €   | 10,20 €  |
| 18_027a | 1454637 | Gasket for x-pipe R65-R100RT, from year of manufacture 09/1984, 31mm   | 6,30 €   | 7,50 €   |
| 18_028  | 2113002 | Front muffler R65GS-R80ST, stainless, 80-92  | 205,88 € | 245,00 € |
| 18_028a | 6322094 | Front muffler R80GS-R100PD 09/800> stainless steel   | 234,45 € | 279,00 € |
| 18_029  | 1457940 | Rubber pad for BMW R80R/GS/Basic, R100R and R100GS   | 1,26 €   | 1,50 €   |
| 18_032  | 811013  | Muffler for BMW R65GS-R80ST, R100GS/PD, with ECE-ABE, Manufacturer: Sito from year of manufacture 1980 until 1996, (also for paralever), not original shape! | 260,42 € | 309,90 € |
| 18_032a | 8111007 | Muffler for BMW R65GS-R80ST, R100GS/PD, with EG-ABE from year of manufacture 1980 until 1996, stainless steel polished (also for paralever)                  | 478,91 € | 569,90 € |
| 18_037  | 2310861 | Exhaust rubber bearing for BMW R80GS and R100GS  | 13,36 €  | 15,90 €  |
| 18_043  | 1452182 | Exhaust pipe for BMW R80 and R80RT, years of manufacture 09/1984-1995, right side and R100RS, R100RT, years of manufacture 1987-1995, original BMW           | 125,97 € | 149,90 € |
| 18_043a | 1457928 | Exhaust pipe for BMW R100RT and R100RS, years of manufacture 1987-1995, right side original BMW  | 139,41 € | 165,90 € |
| 18_044  | 1452181 | Exhaust pipe for BMW R80 and R80RT, years of manufacture 09/1984-1995, left side and R100RS, R100RT, years of manufacture 1987-1995, original BMW            | 139,41 € | 165,90 € |
| 18_045  | 1454379 | Exhaust pipe clamp for BMW R65-R100 from year of manufacture 09/1984, left side for 43mm pipes   | 15,08 €  | 17,95 €  |
| 18_045a | 1454381 | Exhaust pipe clamp for BMW from year of manufacture 09/1984, diameter= 49mm, left side Original BMW  | 10,84 €  | 12,90 €  |
| 18_045b | 1454380 | Exhaust pipe clamp for BMW R65-R100 from year of manufacture 09/1984, right side for 43mm pipes  | 14,24 €  | 16,95 €  |
| 18_045c | 6580100 | Exhaust pipe clamp for BMW R65-R100 from year of manufacture 09/1984 chrome plated   | 6,64 €   | 7,90 €   |
| 18_046  | 1454656 | Gasket exhaust pipe for BMW R65-R100, from year of manufacture 09/1984, front, 43mm  | 6,89 €   | 8,20 €   |
| 18_046a | 1454382 | Exhaust pipe clamp for BMW from year of manufacture 09/1984, diameter= 49mm, right side Original BMW   | 10,84 €  | 12,90 €  |
| 18_046b | 2331955 | Gasket for muffler/collector for BMW R65-R100RT from year of manufacture 09/1984 and for BMW R80GS-R100PD from year of manufacture 09/1987, rear             | 7,35 €   | 8,75 €   |
| 18_047  | 1452097 | Front muffler R65, R80, R100 09/84->   | 378,07 € | 449,90 € |
| 18_047a | 6321097 | Front muffler R65, R80, R100 09/84-> stainless steel   | 226,05 € | 269,00 € |
| 18_048  | 58362   | Muffler for BMW R65 & R80, with ECE-ABE, right side from year of manufacture 1985  | 199,58 € | 237,50 € |
| 18_049  | 58361   | Muffler for BMW R65 & R80, with ECE-ABE, left side from year of manufacture 1985   | 199,58 € | 237,50 € |
| 18_050  | 98193   | Screw M8x16 allen-head   | 0,18 €   | 0,21 €   |
| 18-001h | 2030433 | Exhaust pipe for BMW R50/5-R100, right side 38mm   | 115,97 € | 138,00 € |



**Group 21 Clutch**



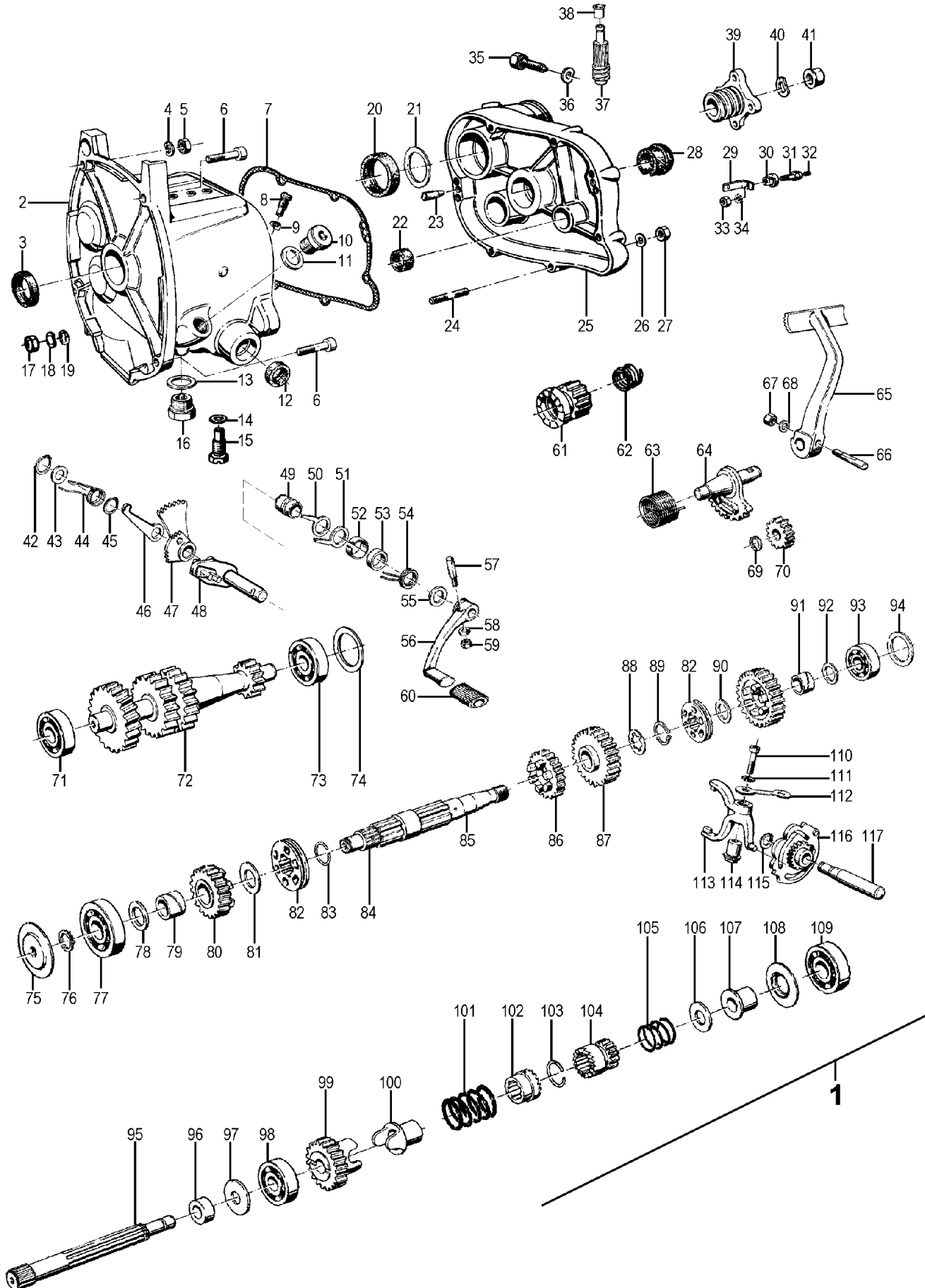
| <u>Picture-No.</u> | <u>Article-No.</u> | <u>Description</u>  | <u>Net</u> | <u>Gross</u> |
|--------------------|--------------------|---|------------|--------------|
| 21_000             | 1239891            | Bushing for clutch for BMW-Models from year of manufacture 08/1980 (light clutch)                     | 3,02 €     | 3,59 €       |
| 21_000             | 45182              | Split pin for clutch lever R50/5-R75/5  | 0,18 €     | 0,21 €       |
| 21_001a            | 1250288            | Clutch spring for BMW R50/5-R80/7 until year of manufacture 09/1980                                   | 44,45 €    | 52,90 €      |
| 21_001b            | 1234035            | Clutch spring for BMW R90/6, R90S and R100 until year of manufacture 09/1980                          | 44,45 €    | 52,90 €      |
| 21_001c            | 1237573            | Clutch spring for BMW R45 and R65 until year of manufacture 09/1980                                   | 81,68 €    | 97,20 €      |
| 21_002a            | 1251801            | Pressure plate clutch for BMW R50/5-R100 from year of manufacture 09/1969-09/1980, front              | 61,34 €    | 72,99 €      |
| 21_002a            | 0051801            | Pressure plate clutch for BMW R50/5-R100 from year of manufacture 09/1969-09/1980, front ORIGINAL BMW | 89,83 €    | 106,90 €     |
| 21_002b            | 1237567            | Pressure plate clutch for BMW R45 and R65 until year of manufacture 09/1980, front                    | 68,49 €    | 81,50 €      |
| 21_003a            | 5054               | Clutch friction disc for BMW R50/5-R100 until year of manufacture 09/1980                             | 55,46 €    | 66,00 €      |
| 21_003b            | 36332              | Clutch friction disk for BMW R50/5-R100 until year of manufacture 09/1980 Original                    | 107,73 €   | 128,20 €     |
| 21_003b            | 37571              | Clutch friction disc for BMW R45 and R65 until year of manufacture 09/1980                            | 51,64 €    | 61,45 €      |
| 21_004a            | 1231666            | Thrust ring clutch for BMW R50/5-R100 from year of manufacture 09/1969-09/1980, rear                  | 92,35 €    | 109,90 €     |
| 21_004b            | 1237593            | Thrust ring clutch for BMW R45 and R65 until year of manufacture 09/1980, rear                        | 165,13 €   | 196,50 €     |
| 21_005             | 70511              | Spacer washer clutch for BMW R50-R69S and R50/5-R75/5 only for pressure ring "without edge"           | 4,12 €     | 4,90 €       |
| 21_006             | 31463              | Screw clutch R50/5-R100 >09/80, Allen head  | 1,47 €     | 1,75 €       |
| 21_007a            | 1230106            | Clutch thrust rod for BMW R50/5, R60/5 and R75/5  | 13,36 €    | 15,90 €      |
| 21_007b            | 1232089            | Clutch thrust rod for BMW R60/6-R100 until year of manufacture 09/1980                                | 27,65 €    | 32,90 €      |
| 21_008             | 20132              | Felt for clutch push rod for BMW R24-R27 and R50-R100 for mounting cut diagonally                     | 2,48 €     | 2,95 €       |
| 21_009             | 30962              | Thrust washer clutch for BMW R24-R26 and R51/2-R69S and BMW R50/5 until year of manufacture 09/1973   | 9,20 €     | 10,95 €      |
| 21_009b            | 1232088            | Thrust washer for needle bearing for BMW models from year of manufacture 09/1973-09/1980              | 11,60 €    | 13,80 €      |
| 21_010a            | 30961              | Thrust bearing clutch ball bearing for BMW models until year of manufacture 09/1973                   | 21,43 €    | 25,50 €      |
| 21_010b            | 1232079            | Thrust bearing clutch needle bearing for BMW models from year of manufacture 09/1973-09/1980          | 25,13 €    | 29,90 €      |
| 21_011a            | 1230107            | Clutch thrust piece ball for BMW R50/5, R60/5 und R75/5, years of manufacture 09/1969-09/1973         | 33,53 €    | 39,90 €      |
| 21_011b            | 1232087            | Clutch thrust piece needle for BMW R45/R65 and R60/6-R100, years of manufacture 09/1973-09/1980       | 36,89 €    | 43,90 €      |



|         |         |  |          |          |
|---------|---------|--|----------|----------|
| 21_012  | 20109   | Sealing for clutch thrust piece  | 2,52 €   | 3,00 €   |
| 21_013  | 30109   | Dust cover for clutch release lever for BMW models until year of manufacture 09/1980   | 8,32 €   | 9,90 €   |
| 21_014a | 80122   | Clutch lever spring until year of manufacture 08/1973  | 1,64 €   | 1,95 €   |
| 21_014b | 1234034 | Clutch lever spring from year of manufacture 09/1973 until 08/1980   | 6,68 €   | 7,95 €   |
| 21_016a | 30108   | Adjusting screw for clutch release lever for BMW R26-R27, R50-69S, R50/5 until year of manufacture 09/1980, M8                               | 2,94 €   | 3,50 €   |
| 21_016b | 1241848 | Adjusting screw for clutch release lever from year of manufacture 09/1980, M8  | 4,12 €   | 4,90 €   |
| 21_017  | 1230104 | Clutch release lever for BMW R50/5-R75/5 (at gear-box)   | 62,94 €  | 74,90 €  |
| 21_018a | 1230090 | Bolt clutch release lever for BMW R50/5-R75/5  | 10,50 €  | 12,50 €  |
| 21_018b | 1241484 | Bolt clutch release lever for BMW R60/6-R100   | 15,04 €  | 17,90 €  |
| 21_019a | 9932852 | Clutch release lever washer from year of manufacture 09/1973, 7mm  | 1,05 €   | 1,25 €   |
| 21_019b | 1864963 | Clutch release lever Lock plate from year of manufacture 09/1973   | 3,11 €   | 3,70 €   |
| 21_019c | 9934208 | Clutch release lever washer for BMW R60/6-R90S, 8mm  | 0,50 €   | 0,60 €   |
| 21_020  | 38722   | Flywheel 1981-> (light clutch)   | 146,89 € | 174,80 € |
| 21_021  | 1242353 | Clutch spring for BMW R45-R100, years of manufacture 09/1980-09/1984 and for BMW R100 from year of manufacture 1987 and R80R/R100R           | 45,97 €  | 54,70 €  |
| 21_022  | 2302200 | Pressure plate clutch for BMW R45-R100 from year of manufacture 09/1980, front light clutch from year of manufacture 09/1980                 | 51,68 €  | 61,50 €  |
| 21_023a | 1451512 | Clutch friction disc for BMW R45-R100 from year of manufacture 09/1980 (light clutch) Original   | 96,60 €  | 114,95 € |
| 21_023b | 4054    | Clutch friction disc for BMW R45-R100 from year of manufacture 09/1980 (light clutch)  | 51,64 €  | 61,45 €  |
| 21_024  | 1457280 | Thrust ring clutch for BMW R80/7-R100 from year of manufacture 09/1980, rear light clutch for BMW R45 and R65 years of manufacture 1978-1985 | 107,73 € | 128,20 € |
| 21_025  | 1242377 | Serrated lock washer for clutch screw for BMW models from year of manufacture 09/1980  | 0,42 €   | 0,50 €   |
| 21_026  | 38680   | Clutch screw R80-R100, 09/80->   | 1,47 €   | 1,75 €   |
| 21_027  | 41844   | Clutch thrust rod for BMW R80-R100 from year of manufacture 09/1980  | 58,74 €  | 69,90 €  |
| 21_028  | 9984020 | Bearing clutch thrust rod for BMW R45-R100 for "light" clutch from year of manufacture 09/1980   | 24,33 €  | 28,95 €  |
| 21_029  | 1464167 | Clutch thrust piece for all BMW models from year of manufacture 09/1980 light model  | 47,48 €  | 56,50 €  |
| 21_030  | 1241849 | Clutch lever spring from year of manufacture 09/1980   | 2,35 €   | 2,80 €   |
| 21_031  | 41872   | Clamp for clutch boot 09/80->  | 2,27 €   | 2,70 €   |
| 21_032  | 1338731 | Dust cover for clutch release lever for BMW models from year of manufacture 09/1980  | 23,53 €  | 28,00 €  |
| 21_033a | 1241847 | Clutch release lever for BMW from year of manufacture 09/1980 (at gear-box)  | 53,36 €  | 63,50 €  |
| 21_033b | 1238422 | Needle bushing for shift lever/clutch lever  | 10,00 €  | 11,90 €  |
| 21_033b | 1234049 | Clutch release lever for BMW until year of manufacture 09/1980 (at gear-box)   | 86,51 €  | 102,95 € |
| 21_035  | 1241848 | Adjusting screw for clutch release lever from year of manufacture 09/1980, M8  | 4,12 €   | 4,90 €   |
| 21_037  | 1241833 | Bushing for clutch release lever from year of manufacture 09/1980  | 9,20 €   | 10,95 €  |



**Group 23a FourSpeed gearbox**



**Picture-No. Article-No. Description**

|       |       |  |
|-------|-------|--|
| 23a   | 19124 | Oil drain screw, M18, hexagon                |
| 23a_0 | 66102 | Wedge for shift pedal for BMW R24-R69S zincd |

| Net    | Gross  |
|--------|--------|
| 2,94 € | 3,50 € |
| 3,82 € | 4,55 € |

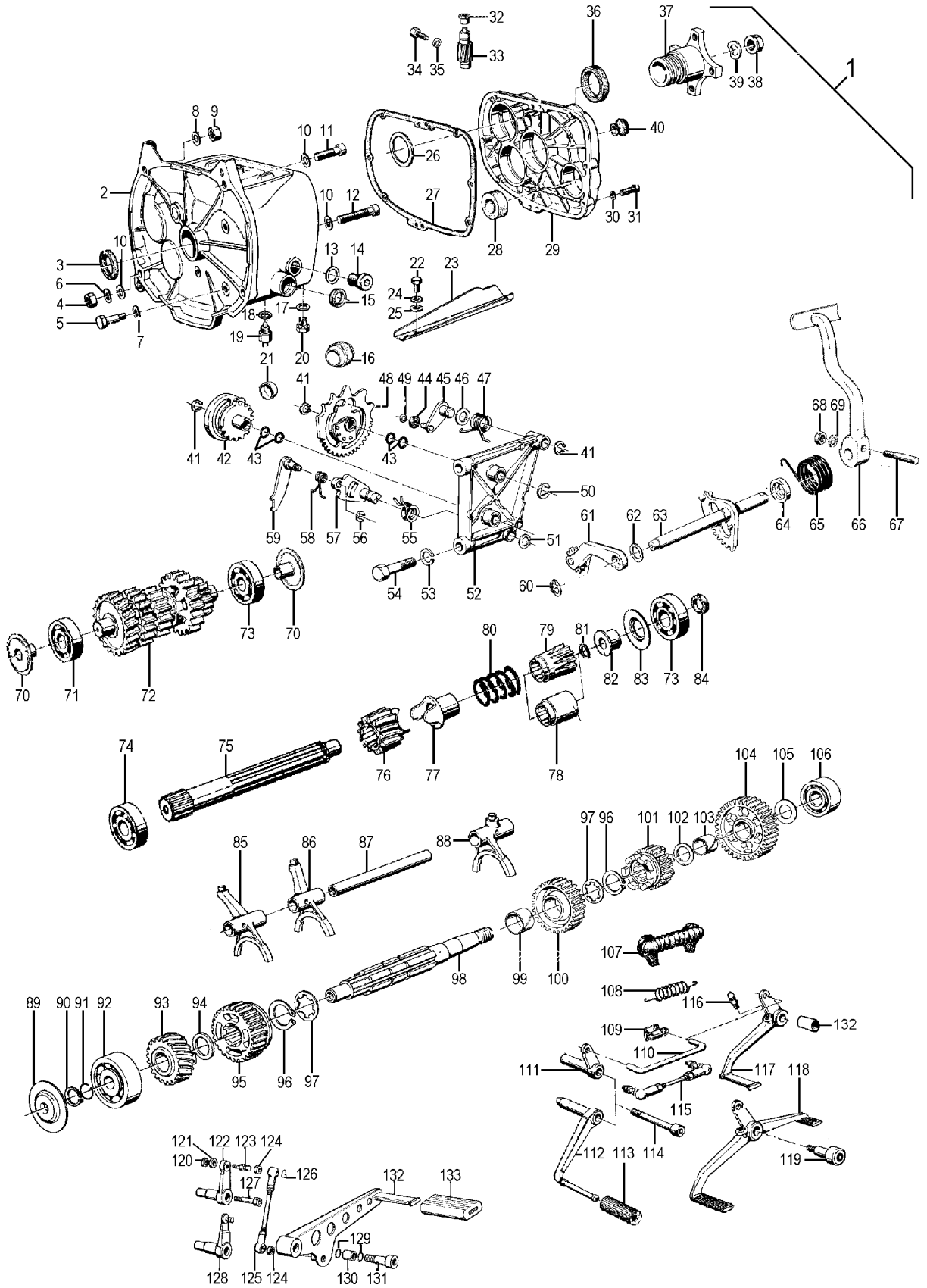


|          |         |   |          |            |
|----------|---------|---|----------|------------|
| 23a_00   | 98457   | Spring washer B 8,4, DIN137B-A2 stainless steel   | 0,21 €   | 0,25 €     |
| 23a_000  | 991140  | Gearbox input repair kit for BMW R24-R27, R50-R69S and R50/5-R75/5 Speedy sleeve  | 37,95 €  | 45,16 €    |
| 23a_000  | 1231523 | Gear-wheel 1st gear /6->82  | 60,55 €  | 72,05 €    |
| 23a_000  | 99982   | Gasket set gearbox (No.G07), for BMW R50/5-R75/5  | 23,78 €  | 28,30 €    |
| 23a_002  | 1234036 | Gearbox 4-speed for BMW R50/5-R75/5 overhauled  | 920,17 € | 1.095,00 € |
| 23a_003  | 30088   | Seal-ring, gearbox-input shaft R50/5-R75/5  | 3,91 €   | 4,65 €     |
| 23a_005b | 98353   | Nut M 8 stainless steel   | 0,38 €   | 0,45 €     |
| 23a_006  | 98206   | Screw M8x40, allen-head   | 0,46 €   | 0,55 €     |
| 23a_007  | 06280   | Gearbox cover gasket for 4-speed-transmission, 2-cylinders, years of manufacture 1955-1973  | 2,31 €   | 2,75 €     |
| 23a_013  | 2027    | Gasket ring oil drain screw, M14x20x2   | 0,67 €   | 0,80 €     |
| 23a_016a | 07104   | Oil filler screw, M14 x 1,5   | 2,02 €   | 2,40 €     |
| 23a_016b | 07163   | Oil drain screw, M14, magnetic zincked  | 3,19 €   | 3,80 €     |
| 23a_020  | 30087   | Seal-ring, gearbox-output R50/5-R75/5   | 6,09 €   | 7,25 €     |
| 23a_022  | 02196   | Seal-ring crankshaft front R51/3-60, Kick start bumper R24-R27, R50-R69S / 5 + 5 speed gearbox  | 3,70 €   | 4,40 €     |
| 23a_031  | 06158   | Idle indicator switch contact bolt for BMW R25/2-R27 and R51/3-R69S   | 10,76 €  | 12,80 €    |
| 23a_038  | 30176   | Bushing speedo-cable for BMW R26-R69S and R50/5-R100 thin end   | 3,19 €   | 3,80 €     |
| 23a_039  | 1230057 | Gearbox flange for BMW R50/5-R75/5  | 86,47 €  | 102,90 €   |
| 23a_044  | 66131   | Spring latch for BMW R50-R69S and R50/5-R75   | 10,84 €  | 12,90 €    |
| 23a_055  | 06253   | Seal-ring, foot shifting lever R51/3-R68 R60/6-R100 09/74->   | 3,36 €   | 4,00 €     |
| 23a_055  | 32248   | Seal-ring, shifter R60/6-R90S ->09/74   | 3,36 €   | 4,00 €     |
| 23a_056  | 1239023 | Foot shifter rocker R60/6 ->09/80   | 119,75 € | 142,50 €   |
| 23a_056  | 66245   | Foot shift lever R50-R69S, R50/5-R75/5, used  | 60,34 €  | 71,80 €    |
| 23a_056b | 1231621 | Foot shift lever R60/6-R100   | 170,17 € | 202,50 €   |
| 23a_057  | 66103   | Wedge for shift pedal for BMW R24-R69S stainless steel  | 6,51 €   | 7,75 €     |
| 23a_060  | 45016   | Foot gear lever rubber R24-R69S, / 5-4-speed trans / 5 - 4-speed transmission   | 1,51 €   | 1,80 €     |
| 23a_060a | 1232097 | Foot gear lever rubber /6 - 5-speed transmission  | 1,26 €   | 1,50 €     |
| 23a_063  | 56112   | Kick starter spring for BMW R24-R27, R50-R69S and R50/5-R75/5   | 5,71 €   | 6,79 €     |
| 23a_066  | 50016   | Mounting bolt for kick starter for BMW R24-R27, R50-R69S and R50/5-R100 zincked   | 4,16 €   | 4,95 €     |
| 23a_070  | 56108   | Kick starter intermediate gear for BMW R24-R27, R50-R69S and R50/5-R75/5  | 75,55 €  | 89,90 €    |
| 23a_071  | 15064   | Bearing auxiliary shaft for BMW R24-R27 and R50-R69S, front brearing wheel R25-R25/3, front and rear, auxiliary shaft /5 4-gear box   | 22,65 €  | 26,95 €    |
| 23a_072  | 30068   | Intermediate gear-box R50/5-R75/5   | 378,15 € | 450,00 €   |
| 23a_072a | 1231206 | Gearbox-part: Auxiliary shaft Sports R50/5, R60/5, R75/5 4-speed gearbox  | 294,12 € | 350,00 €   |
| 23a_073  | 6203    | Bearing camshaft R24-R69S, crankshaft R51/3-R69S, front end, with 17mm cone wheel bearing R25-R25/2, pinion shaft R24, auxiliary shaft /5 4-gear box, crankshaft most front R51/3-R69 | 6,22 €   | 7,40 €     |
| 23a_074  | 1230966 | Distance washer intermediate shaft for BMW R50/5-R75/5, 0,18mm  | 1,81 €   | 2,15 €     |
| 23a_074  | 1230969 | Distance washer intermediate shaft für BMW R50/5-R75/5, 0,50mm  | 1,68 €   | 2,00 €     |
| 23a_077  | 6064    | Bearing output shaft for BMW R60/6-R100, front and /5 4-gear gear box   | 20,84 €  | 24,80 €    |
| 23a_078  | 1230089 | Thrust washer gearbox output shaft for BMW R50/5-R75/5  | 1,59 €   | 1,89 €     |
| 23a_079  | 1230081 | Bushing for BMW R50/5-R75/5, 4th gear-wheel   | 16,72 €  | 19,90 €    |
| 23a_080  | 1230060 | Gear-wheel, outputshaft, /5, 4-speed gearbox  | 144,54 € | 172,00 €   |
| 23a_081  | 1231616 | Washer Power-out shaft, only "Sport"-gearbox R50/5->R100  | 2,48 €   | 2,95 €     |
| 23a_085  | 1230077 | Gearbox outlet shaft for BMW R50/5-R75/5  | 280,00 € | 333,20 €   |
| 23a_086  | 1230062 | Gear-wheel, outputshaft, /5, 4-speed gearbox  | 144,54 € | 172,00 €   |
| 23a_086a | 1231211 | Gear-wheel 3 st gear /5, Sport  | 158,82 € | 189,00 €   |
| 23a_087  | 1230064 | Gear-wheel, outputshaft, /5, 4-speed gearbox  | 142,02 € | 169,00 €   |
| 23a_087a | 1231210 | Gear-wheel 2 st gear /5, Sport  | 158,82 € | 189,00 €   |
| 23a_090A | 1230066 | Gear-wheel, outputshaft, /5, 4-speed gearbox  | 159,87 € | 190,25 €   |
| 23a_090B | 1231209 | Gear-wheel 1st gear /5, Sport   | 158,82 € | 189,00 €   |
| 23a_091  | 1030259 | Bushing for BMW R50/5-R75/5, 1st gear-wheel   | 24,24 €  | 28,85 €    |
| 23a_092  | 1231630 | Shim for gearbox output shaft for BMW R50/5-R100 and 4 und 5. gear  | 3,78 €   | 4,50 €     |
| 23a_093  | 4064    | Bearing crankshaft for BMW R24-R27 front end and /5 4-speed gearbox and for BMW R24-R69S input shaft front and output shaft rear  | 7,35 €   | 8,75 €     |
| 23a_095  | 1230455 | Gearbox drive shaft for BMW R50/5-R75/5   | 155,00 € | 184,45 €   |
| 23a_097  | 1230447 | Bearing cover ring for BMW R50/5, R60/5 and R75/5   | 1,01 €   | 1,20 €     |
| 23a_098  | 1064    | Bearing gearbox outlet shaft front + rear R51/2-R68   | 7,73 €   | 9,20 €     |
| 23a_099  | 1230085 | Gear-wheel inputshaft R50/5, R60/5, R75/5   | 134,03 € | 159,50 €   |
| 23a_100  | 1233425 | Drive thrust piece power-in shaft for BMW R45/R65, R50/5-R100, R80G/S, ST, 35mm   | 58,57 €  | 69,70 €    |
| 23a_101  | 1231303 | Pressure spring drive shaft for BMW R60/6-R100  | 9,41 €   | 11,20 €    |
| 23a_107  | 1231392 | Bushing input-shaft for BMW R50/5-R75/5   | 6,39 €   | 7,60 €     |
| 23a_112  | 1230093 | Retaining sheet metal for BMW /5, 4th gear  | 1,76 €   | 2,09 €     |
| 23a_113a | 230100  | Gearbox shifter fork R50/5-R75/5 Original BMW   | 90,76 €  | 108,00 €   |
| 23a_113b | 1069    | Gear box shift fork R50/5-R75/5   | 73,95 €  | 88,00 €    |



|         |         |  |         |         |
|---------|---------|--|---------|---------|
| 23a_114 | 1230086 | Excenter bushing shifter fork for BMW R24-R90S                         | 24,33 € | 28,95 € |
| 23a024  | 03209   | Dowel pin for valve cover R51/3-69S (small) timing case, gearbox cover | 1,51 €  | 1,80 €  |

**Group 23b FiveSpeed gearbox**



| <u>Picture-No.</u> | <u>Article-No.</u> | <u>Description</u>  | <u>Net</u> | <u>Gross</u> |
|--------------------|--------------------|---|------------|--------------|
| 23b_000            | 6000003            | Bearing kit for R60/6-R100 from year of manufacture 09/1974 | 140,76 €   | 167,50 €     |



|          |         |  |            |            |
|----------|---------|--|------------|------------|
| 23b_000  | 6000001 | Gasket set gearbox (No.G08), for BMW R60/6-R100 until Sep 1980 with and without kickstarter                                  | 35,21 €    | 41,90 €    |
| 23b_000  | 1234213 | Gear wheel 4th speed R60/6-R100 ->82   | 133,11 €   | 158,40 €   |
| 23b_000  | 31527   | Gear-wheel 2nd gear R60/6-R100 ->82  | 61,26 €    | 72,90 €    |
| 23b_000  | 99387   | Gear-wheel auxiliary-shaft R60/6-R100, 15°, used without "X" - Mark  | 51,72 €    | 61,55 €    |
| 23b_000  | 99388   | Gear-wheel, auxiliary-shaft R60/6-R100, 17,5° with "X"- mark   | 128,49 €   | 152,90 €   |
| 23b_000  | 1239891 | Bushing for clutch for BMW-Models from year of manufacture 08/1980 (light clutch)  | 3,02 €     | 3,59 €     |
| 23b_002a | 40767   | Gearbox 5-speed with kickstarter, until year of manufacture 1981 overhauled  | 1.004,20 € | 1.195,00 € |
| 23b_002b | 1242415 | Gearbox 5-speed with kick starter, from year of manufacture 1981 and later overhauled  | 1.004,20 € | 1.195,00 € |
| 23b_002c | 1240766 | Gearbox 5-speed without kickstarter, until year of manufacture 1981 overhauled   | 920,17 €   | 1.095,00 € |
| 23b_002d | 1242417 | Gearbox 5-speed without kickstarter, from year of manufacture 1981 and later overhauled                                      | 920,17 €   | 1.095,00 € |
| 23b_002e | 1240767 | Gearbox 5-speed with kickstarter, until year of manufacture 1981 NEW   | 1.487,31 € | 1.769,90 € |
| 23b_003  | 32249   | Seal-ring, gearbox input shaft, 5-speed  | 4,37 €     | 5,20 €     |
| 23b_007  | 22083   | Spring washer B10, DIN137A zincked   | 0,17 €     | 0,20 €     |
| 23b_010  | 98414   | Washer B 8,4   | 0,06 €     | 0,07 €     |
| 23b_011  | 98206   | Screw M8x40, allen-head  | 0,46 €     | 0,55 €     |
| 23b_012  | 33474   | Distance washer gearbox outlet shaft for BMW R51/3-R68 and all 5-gear, 0,10mm  | 1,51 €     | 1,80 €     |
| 23b_012a | 33475   | Distance washer gearbox outlet shaft for BMW R51/3-R68 and all 5-gear, 0,20mm  | 1,51 €     | 1,80 €     |
| 23b_012b | 31625   | Distance washer gearbox outlet shaft for BMW R51/3-R68 and all 5-gear, 0,30mm  | 1,60 €     | 1,90 €     |
| 23b_012c | 31626   | Distance washer gearbox outlet shaft for BMW R51/3-R68 and all 5-gear, 0,38mm  | 7,73 €     | 9,20 €     |
| 23b_012d | 31627   | Distance washer gearbox outlet shaft for BMW R51/3-R68 and all 5-gear, 0,50mm  | 1,60 €     | 1,90 €     |
| 23b_013  | 63300   | Gasket ring, 18x22x1,5 - aluminium   | 0,25 €     | 0,30 €     |
| 23b_014  | 19124   | Oil drain screw, M18, hexagon  | 2,94 €     | 3,50 €     |
| 23b_014a | 07104   | Oil filler screw, M14 x 1,5  | 2,02 €     | 2,40 €     |
| 23b_014a | 0007104 | Oil filler screw, M14 x 1,5 stainless steel, polished  | 5,97 €     | 7,10 €     |
| 23b_015a | 32248   | Seal-ring, shifter R60/6-R90S ->09/74  | 3,36 €     | 4,00 €     |
| 23b_015b | 06253   | Seal-ring, foot shifting lever R51/3-R68 R60/6-R100 09/74->  | 3,36 €     | 4,00 €     |
| 23b_017  | 2028    | Gasket ring, 14x18x1,5 - Aluminum  | 0,21 €     | 0,25 €     |
| 23b_018  | 63130   | Gasket ring, 12x16x1,5 - aluminium   | 0,25 €     | 0,30 €     |
| 23b_019a | 52153   | Idle indicator switch for BMW R60/6-R90S until year of manufacture 09/1975   | 23,70 €    | 28,20 €    |
| 23b_019b | 43097   | Idle indicator switch for BMW R60/6-R100 from year of manufacture 09/1975 please also order article nr 1355262 (Gasket ring) | 20,97 €    | 24,95 €    |
| 23b_020  | 07163   | Oil drain screw, M14, magnetic zincked   | 3,19 €     | 3,80 €     |
| 23b_024  | 98406   | Washer B4,3  | 0,04 €     | 0,05 €     |
| 23b_027  | 1338596 | Gearbox cover gasket for 5-speed-transmission  | 3,32 €     | 3,95 €     |
| 23b_029  | 1234037 | Gearbox cover for 5-speed with kickstarter, until year of manufacture 09/1980 used   | 159,66 €   | 190,00 €   |
| 23b_029a | 1241832 | Gearbox cover for 5-speed with kickstarter, from year of manufacture 09/1980   | 153,70 €   | 182,90 €   |
| 23b_029b | 1241831 | Gearbox cover 5-speed without kickstarter, new version   | 154,54 €   | 183,90 €   |
| 23b_029c | 1233948 | Gearbox cover 5-speed without kickstarter, until year of manufacture 09/1980   | 165,00 €   | 196,35 €   |
| 23b_030  | 98410   | Washer B 6,4   | 0,05 €     | 0,06 €     |
| 23b_031  | 98158   | Screw M6x20, allen-head  | 0,25 €     | 0,30 €     |
| 23b_032  | 30176   | Bushing speedo-cable for BMW R26-R69S and R50/5-R100 thin end  | 3,19 €     | 3,80 €     |
| 23b_033  | 30058   | Speedo drive, R 24-69S   | 41,09 €    | 48,90 €    |
| 23b_034  | 30599   | Speedo cable screw with breather hole, RPM-meter screw R50/5->   | 6,64 €     | 7,90 €     |
| 23b_036a | 32681   | Seal-ring, 5-speed gearbox R60/6-R100 ->09/87  | 6,60 €     | 7,85 €     |
| 23b_036b | 1338514 | Seal-ring, gearbox-output 87->, Teflon   | 18,57 €    | 22,10 €    |
| 23b_037  | 1232557 | Gearbox flange, 5-speed  | 153,95 €   | 183,20 €   |
| 23b_038  | 30084   | Drive shaft nut, M16 with bund   | 6,30 €     | 7,50 €     |
| 23b_039  | 98462   | Spring washer B16, DIN137 zincked  | 0,34 €     | 0,40 €     |
| 23b_040  | 30109   | Dust cover for clutch release lever for BMW models until year of manufacture 09/1980   | 8,32 €     | 9,90 €     |
| 23b_042  | 1451563 | Shifting Cam 3/4-Gear transmission   | 109,24 €   | 130,00 €   |
| 23b_044a | 31572   | Shifter scenery roll R60/6-R100  | 4,41 €     | 5,25 €     |
| 23b_044b | 1231572 | Shifter scenery ball bearing R60/6-R100  | 4,62 €     | 5,50 €     |
| 23b_047  | 34791   | Foot shift lever spring R60/6-R90S 09/75->   | 2,44 €     | 2,90 €     |
| 23b_047a | 31639   | Foot shift lever spring R60/6-R90S ->09/75   | 3,19 €     | 3,80 €     |
| 23b_048  | 1231611 | Shifting Cam 1/2/5 5-Gear transmission   | 109,24 €   | 130,00 €   |
| 23b_050  | 9932881 | Lock ring 10,0   | 0,42 €     | 0,50 €     |
| 23b_052  | 1231664 | Bearing block R50/5, R60/5, R75/5, R60/6, R75/6, R90/6, R90S until 09/76, 5-speed transmission                               | 75,00 €    | 89,25 €    |
| 23b_055  | 31618   | Gearbox spring for segment shaft R60/6-R100  | 3,70 €     | 4,40 €     |
| 23b_056  | 32841   | Lock ring for chain tensioner for R50/5-R100 until year of manufacture 1979 and gear for BMW R60/6-R100                      | 0,55 €     | 0,65 €     |
| 23b_058  | 1242910 | Spring for latch for BMW R50/5-R100  | 2,27 €     | 2,70 €     |
| 23b_059  | 1242892 | Kick starter ratchet for BMW R60/6-R100R   | 20,61 €    | 24,53 €    |
| 23b_060  | 9934100 | Lock ring kickstarter R60/6-R100   | 0,88 €     | 1,05 €     |

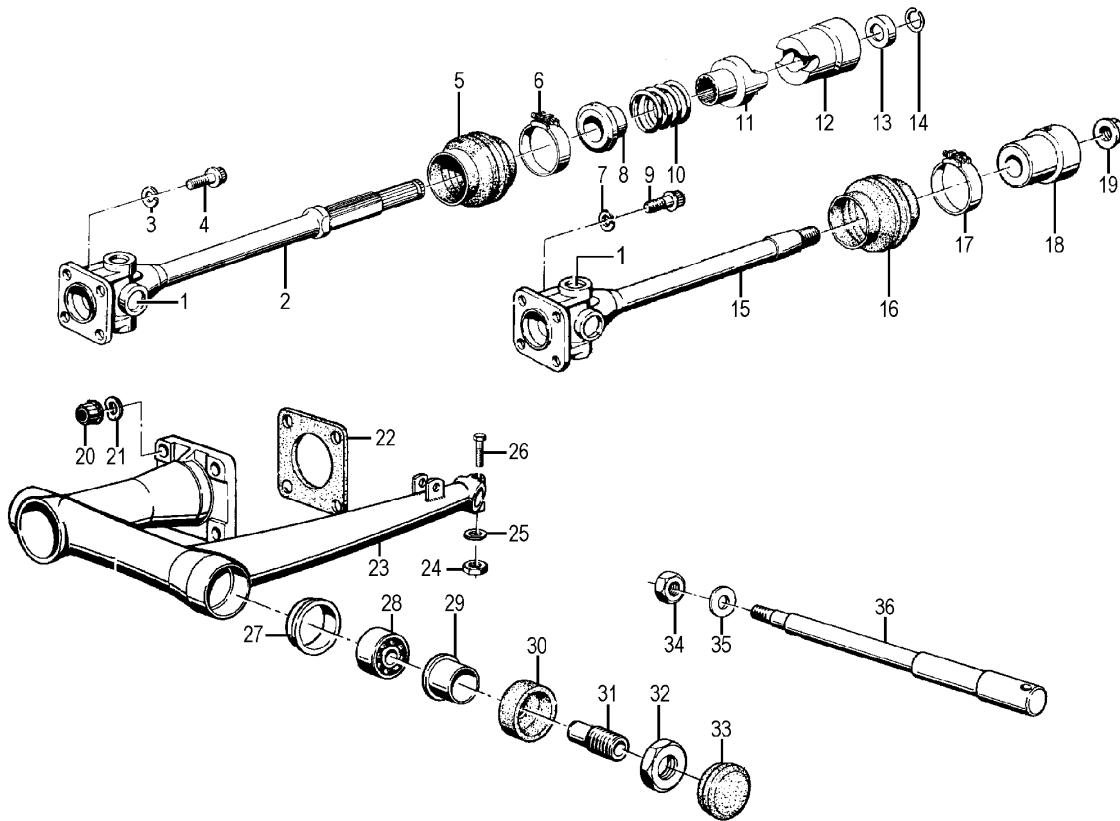




|          |         |  |          |          |
|----------|---------|--|----------|----------|
| 23b_061  | 1231673 | Holder for kick starter shaft for BMW R50/5-R100PD   | 29,37 €  | 34,95 €  |
| 23b_062  | 1232090 | Washer kickstarter (front) R60/6-R100  | 1,60 €   | 1,90 €   |
| 23b_063  | 1338609 | Kick starter section gear for BMW R60/6-R100   | 177,56 € | 211,30 € |
| 23b_064  | 1232049 | Washer kickstarter (rear) R60/6-R100   | 12,56 €  | 14,95 €  |
| 23b_065  | 1231682 | Kick starter spring for BMW R60/6-R100   | 6,12 €   | 7,28 €   |
| 23b_066  | 1230055 | Kick starter for BMW R50/5-R100, with bend   | 105,46 € | 125,50 € |
| 23b_067a | 50016   | Mounting bolt for kick starter for BMW R24-R27, R50-R69S and R50/5-R100 zinced                   | 4,16 €   | 4,95 €   |
| 23b_067b | 56124   | Mounting bolt for kick starter for BMW R24-R27, R50-R69S and R50/5-R100 stainless steel          | 5,88 €   | 7,00 €   |
| 23b_071  | 1064    | Bearing gearbox outlet shaft front + rear R51/2-R68  | 7,73 €   | 9,20 €   |
| 23b_072  | 1242996 | Intermediate shaft R60/6-R100, 17.5°, ->09/95 last version                                       | 347,02 € | 412,95 € |
| 23b_073  | 1064    | Bearing gearbox outlet shaft front + rear R51/2-R68  | 7,73 €   | 9,20 €   |
| 23b_074  | 35449   | Roller bearing for driveshaft front R60/6-R100   | 98,49 €  | 117,20 € |
| 23b_075  | 2301778 | Gearbox drive shaft for BMW R60/6-R100 from year of manufacture 09/1980, Ø 33,5mm, 17,5°         | 279,75 € | 332,90 € |
| 23b_075  | 2302327 | Gearbox drive shaft for BMW R45-R100 from year of manufacture 03/1985, Ø 20mm                    | 98,74 €  | 117,50 € |
| 23b_075a | 1231516 | Gearbox drive shaft for BMW R60/6-R100 from year of manufacture 09/1980, Ø 18mm                  | 194,87 € | 231,90 € |
| 23b_075c | 1241855 | Gearbox drive shaft for BMW R60/6-R100 from year of manufacture 09/1980 until 03/1985 Ø=18       | 183,19 € | 218,00 € |
| 23b_076a | 1231519 | Gear-wheel, output-shaft R60/6-R100, 15° without X-mark, up to 04/1984                           | 51,72 €  | 61,55 €  |
| 23b_076b | 1242991 | Gear-wheel, outputshaft R60/6-R100, 17,5° with "X"- mark   | 100,76 € | 119,90 € |
| 23b_077  | 1233425 | Drive thrust piece power-in shaft for BMW R45/R65, R50/5-R100, R80G/S, ST, 35mm                  | 58,57 €  | 69,70 €  |
| 23b_080  | 1231303 | Pressure spring drive shaft for BMW R60/6-R100   | 9,41 €   | 11,20 €  |
| 23b_081a | 1232086 | Lock ring input shaft R60/6-R100   | 0,76 €   | 0,90 €   |
| 23b_082  | 1232062 | Bushing input-shaft for BMW R60/6-R100   | 20,00 €  | 23,80 €  |
| 23b_083  | 1230452 | Bearing cover ring for BMW-models from year of manufacture 09/1969 gearbox drive shaft           | 4,12 €   | 4,90 €   |
| 23b_084  | 42420   | Seal-ring, clutch-pressure bolt R60/6-R100   | 12,52 €  | 14,90 €  |
| 23b_085  | 1234215 | Gearbox shifter fork R60/6-R100, 1./2. speed   | 163,61 € | 194,70 € |
| 23b_088  | 1234217 | Gearbox shifter fork R60/6-R100, 3./4. speed   | 75,55 €  | 89,90 €  |
| 23b_089  | 1230075 | Oil drip pan output shaft for BMW R50/5 and up   | 11,68 €  | 13,90 €  |
| 23b_090  | 9934100 | Lock ring kickstarter R60/6-R100   | 0,88 €   | 1,05 €   |
| 23b_090  | 1235006 | Lock ring power-out shaft R60/6->  | 0,97 €   | 1,15 €   |
| 23b_092  | 6064    | Bearing output shaft for BMW R60/6-R100, front and /5 4-gear gear box                            | 20,84 €  | 24,80 €  |
| 23b_093c | 99390   | Gear-wheel 5th gear +6%, 82->, 17,5° (with x-mark)   | 147,06 € | 175,00 € |
| 23b_094  | 1231616 | Washer Power-out shaft, only "Sport"-gearbox R50/5->R100   | 2,48 €   | 2,95 €   |
| 23b_095  | 34886   | Gear-wheel 3rd gear R60/6-R100 ->82  | 120,42 € | 143,30 € |
| 23b_097  | 1231633 | Washer Power-out shaft, 5-speed gearbox  | 1,60 €   | 1,90 €   |
| 23b_098  | 1338793 | Power-gearbox output shaft for 5-speed gearbox   | 276,39 € | 328,90 € |
| 23b_103  | 1232299 | Bushing for BMW R60/6-R100, 1st gear-wheel   | 13,36 €  | 15,90 €  |
| 23b_105  | 1231630 | Shim for gearbox output shaft for BMW R50/5-R100 and 4 und 5. gear                               | 3,78 €   | 4,50 €   |
| 23b_106  | 1064    | Bearing gearbox outlet shaft front + rear R51/2-R68  | 7,73 €   | 9,20 €   |
| 23b_107  | 1236746 | Rubber boot gear shifter, years of manufacture 1970-1985   | 14,12 €  | 16,80 €  |
| 23b_112  | 1231621 | Foot shift lever R60/6-R100  | 170,17 € | 202,50 € |
| 23b_113  | 45016   | Foot gear lever rubber R24-R69S, / 5-4-speed trans / 5 - 4-speed transmission                    | 1,51 €   | 1,80 €   |
| 23b_113a | 1232097 | Foot gear lever rubber /6 - 5-speed transmission   | 1,26 €   | 1,50 €   |
| 23b_114  | 2322402 | Screw shift lever R60/6-R100, allen head, cinced   | 0,80 €   | 0,95 €   |
| 23b_115  | 01391   | Shift lever rod for BMW R60/7-R100RT NEW VERSION: with intake for ball-shaped head               | 26,05 €  | 31,00 €  |
| 23b_115  | 36741   | Shift lever rod for BMW R60/7-R100RT OLD VERSION: with rod end -- REMNANTS!                      | 12,52 €  | 14,90 €  |
| 23b_117  | 1241593 | Shift lever 5-Speed gear box (transmitted) ->04/85   | 45,21 €  | 53,80 €  |
| 23b_118  | 1239023 | Foot shifter rocker R60/6 ->09/80  | 119,75 € | 142,50 € |
| 23b_119  | 1241595 | Foot shifter bolt R60/7-R100 ->03/85   | 14,87 €  | 17,70 €  |
| 23b_123  | 1461432 | Shifting lever tenon from year of manufacture 1981 also for steering-damper for BMW R50/5 and up | 2,44 €   | 2,90 €   |
| 23b_124  | 1150432 | Shifter rod dust seal  | 1,43 €   | 1,70 €   |
| 23b_126  | 87611   | Lock bow, steering damper connector + shifter gear   | 1,22 €   | 1,45 €   |
| 23b_129  | 2302380 | O-ring shift lever for BMW R65-R100PD from year of manufacture 04/1985                           | 0,42 €   | 0,50 €   |
| 23b_130  | 2302382 | Bushing gear lever for BMW R65-R100PD from year of manufacture 04/1985                           | 10,50 €  | 12,50 €  |
| 23b_130a | 1238422 | Needle bushing for shift lever/clutch lever  | 10,00 €  | 11,90 €  |
| 23b_131  | 1338639 | Shift lever bolt R65-100PD 04/85>  | 12,52 €  | 14,90 €  |
| 23b_18a  | 1355262 | Gasket ring for neutral switch for BMW R60/6-R100  | 0,84 €   | 1,00 €   |
| 23b_24a  | 9963003 | Gasket ring covering plate gear drive for R65GS-R80ST, years of manufacture 1980-1992            | 0,42 €   | 0,50 €   |



**Group 26 Swingarm and drive shaft**



| <b>Picture-No.</b> | <b>Article-No.</b> | <b>Description</b>  | <b>Net</b> | <b>Gross</b> |
|--------------------|--------------------|---|------------|--------------|
| 26_001a            | 99921              | U-joint for BMW R51/3-R68, R50-R69S and R50/5-R100 (all models)   | 38,32 €    | 45,60 €      |
| 26_001b            | 3034               | Repair of universal joint, labour and u-joint   | 76,64 €    | 91,20 €      |
| 26_002a            | 235972             | Drive shaft for BMW R50/5, R60/5 and R75/5, short wheel base, until year of manufacture 02/1972 Ratio 1:7, Orig. BMW NEW PART                           | 217,65 €   | 259,00 €     |
| 26_002b            | 1232560            | Drive shaft for BMW R50/5-R100, long wheel base, years of manufacture 02/197-09/1978 Ratio 1:7, without bell, Orig. BMW NEW PART                        | 424,37 €   | 505,00 €     |
| 26_002d            | 1237180            | Drive shaft for BMW R60/7-R100 until year of manufacture 09/1980  | 365,00 €   | 434,35 €     |
| 26_002e            | 1237500            | Drive shaft for BMW R45 and R65 until year of manufacture 09/1980   | 336,09 €   | 399,95 €     |
| 26_002e            | 1242112            | Drive shaft for BMW R65, R80/7-R100RT, from year of manufacture 09/1980 and for BMW G65GS, R80G/S (not for Paralever !)                                 | 365,55 €   | 435,00 €     |
| 26_003             | 98432              | Lock washer A 8, Form B zincked   | 0,08 €     | 0,10 €       |
| 26_004             | 30414              | Drive shaft, twelve-sided bolt for BMW R50-R69S and R50/5-R100RT until year of manufacture 09/1980  | 1,64 €     | 1,95 €       |
| 26_004             | 1242297            | Drive shaft, twelve-sided bolt for BMW R45, R65 and R80/7-R100RT from year of manufacture 09/1980   | 1,93 €     | 2,30 €       |
| 26_005             | 1230304            | Rubber boot Gearbox-swingarm for BMW R50/5-R100 and R45, R65  | 10,29 €    | 12,25 €      |
| 26_005b            | 1452504            | Rubber boot swing arm/rear drive for BMW-models from year of manufacture 09/1984 and R100 from year of manufacture 09/1986                              | 16,22 €    | 19,30 €      |
| 26_006a            | 30297              | Clamp for gearbox for R50/5-R100 "BMW" zincked  | 2,77 €     | 3,30 €       |
| 26_006b            | 39813              | Clamp for gearbox for R50/5-R100 "BMW", stainless steel   | 6,47 €     | 7,70 €       |
| 26_014             | 1237189            | Fuse ring drive shaft bell, R45/65, R65GS-R80G/S R60/7-R100RT ( not for Paralever )   | 1,85 €     | 2,20 €       |
| 26_018b            | 1230305            | Drive shaft bell for BMW R50/5, R60/5 and R75/5, short-wing-base, 1:6 cone  | 41,93 €    | 49,90 €      |
| 26_018b            | 1232558            | Drive shaft bell for BMW R50/5-R100RT, long wheel base until year of manufacture 09/1978, 1:7 cone  | 83,61 €    | 99,50 €      |
| 26_019             | 30084              | Drive shaft nut, M16 with bund  | 6,30 €     | 7,50 €       |
| 26_020             | 37789              | Cylinder base 12-point nut for cardan coupling  | 2,31 €     | 2,75 €       |
| 26_022             | 2311098            | Gasket driveshaft for BMW R50/5-R100  | 1,51 €     | 1,80 €       |
| 26_026             | 98205              | Screw M8x35 hexagon   | 0,25 €     | 0,30 €       |
| 26_027             | 39812              | Grease stop washer swingarm for BMW R26, R27 and R50-R100, rear   | 4,54 €     | 5,40 €       |
| 26_028             | 13064              | Bearing wheel for BMW R26, R27, R50/5-R100 and R45/R65 until year of manufacture 09/1984 and rocker arm for BMW R26-R69S and R50/5-R100, front and rear | 15,88 €    | 18,90 €      |
| 26_028             | 0013064            | Bearing wheel for BMW R26, R27 and R50/5-R100, +0,10mm / 0,15mm overmeasure and rocker arm for BMW R26-R69S, front and rear                             | 37,82 €    | 45,00 €      |
| 26_028b            | 42618              | Swing arm bearing, sealed, 01/81-> (fits Monolever, too)  | 33,19 €    | 39,50 €      |
| 26_029             | 00324              | Thrust sleeve swingarm for BMW R26-R100   | 5,84 €     | 6,95 €       |
| 26_030             | 00331              | Seal-ring, swingarm all   | 3,19 €     | 3,80 €       |
| 26_030a            | 1236897            | Gasket ring swing seal for BMW R45 dnd R65 until 01/1981, R80/R100 from year of manufacture 09/1980   | 2,48 €     | 2,95 €       |

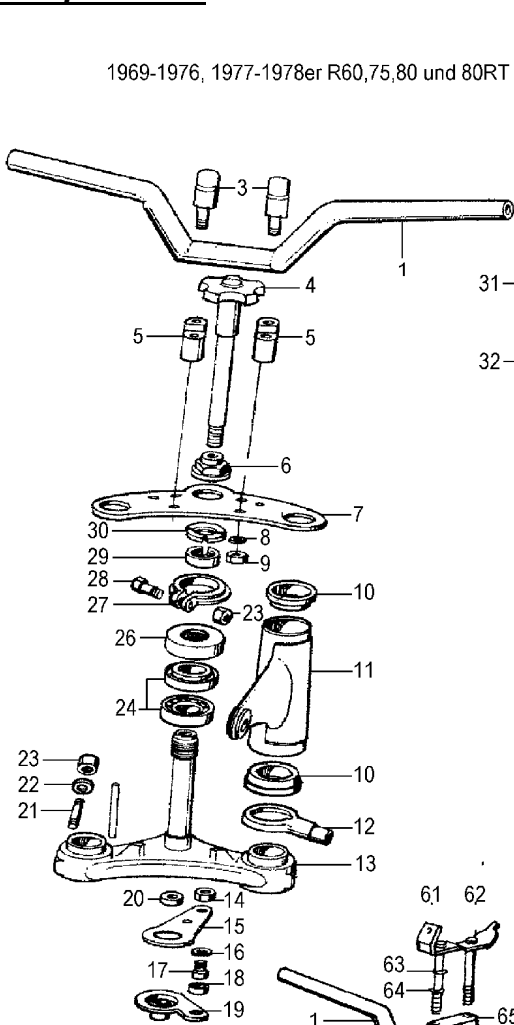


|         |         |  |         |         |
|---------|---------|--|---------|---------|
| 26_031  | 30301   | Swing arm bolt R50/5-R100  | 35,21 € | 41,90 € |
| 26_032  | 54174   | Nut for rear swing arm bolt R26-R100   | 4,83 €  | 5,75 €  |
| 26_033  | 1230296 | Dust cap f. swing arm bearing R50/5-R100, Standard   | 1,64 €  | 1,95 €  |
| 26_033a | 1230297 | Dust cap f. swing arm bearing R50/5-R100, shining  | 1,64 €  | 1,95 €  |
| 26_035  | 1232709 | Flat washer for wheel axle for BMW R50/5-R100RS until year of manufacture 09/1980, rear, large stainless steel | 5,80 €  | 6,90 €  |
| 26_036a | 30303   | Wheel axle R50/5-R100, R45, R65, upto sep/1984, rear (drum brake), stainless steel polished                    | 50,34 € | 59,90 € |
| 26_036a | 1230303 | Wheel axle R50/5-R100, R45, R65, upto 09/1984, rear (drum brake)   | 68,49 € | 81,50 € |
| 26_036b | 35830   | Wheel axle R100S, CS, RS, RT, rear (disk brake) upto sep/1984  | 58,78 € | 69,95 € |

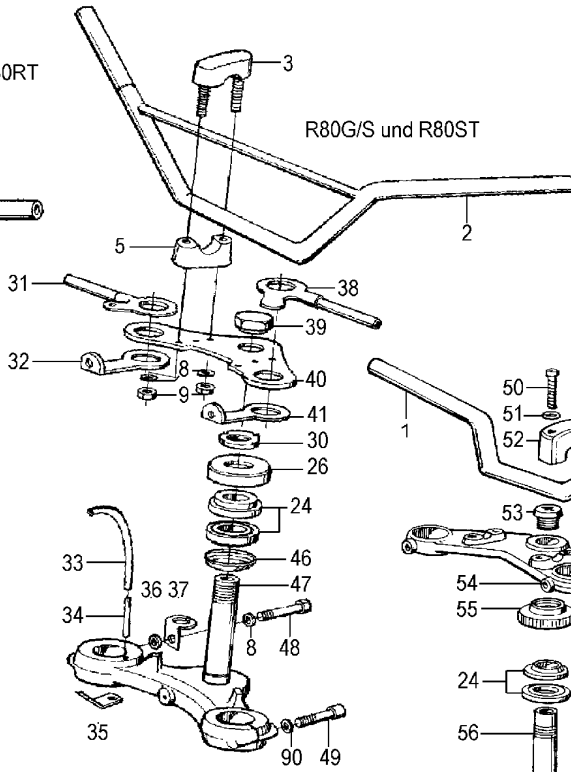


**Group 31 Fork**

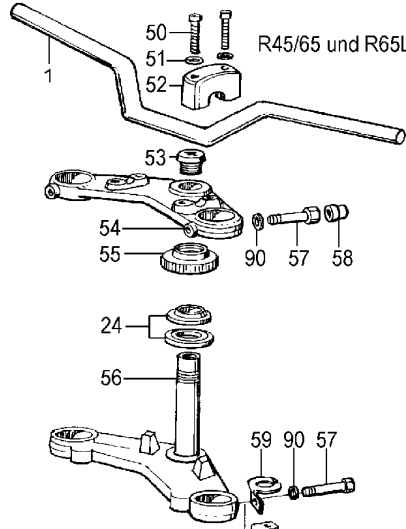
1969-1976, 1977-1978er R60,75,80 und 80RT



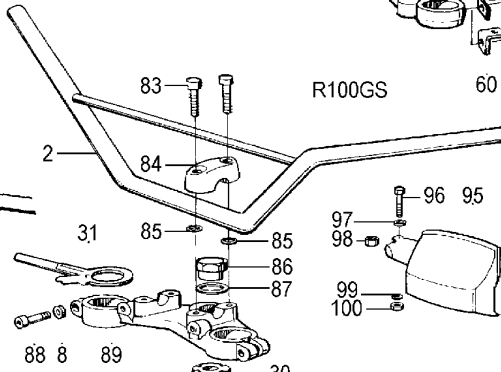
R80G/S und R80ST



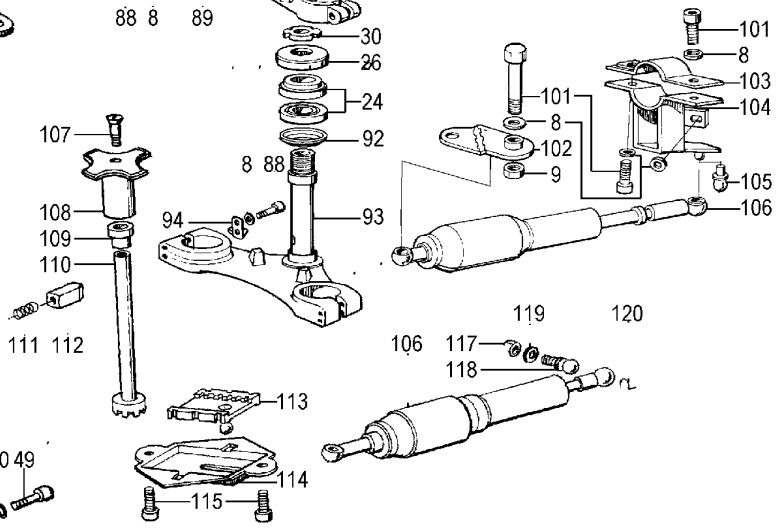
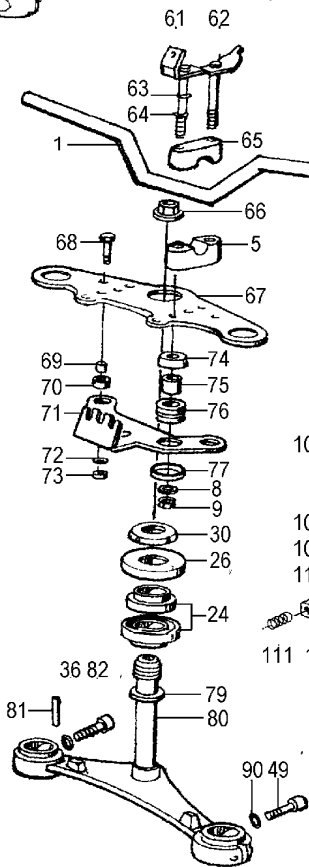
R45/65 und R65LS

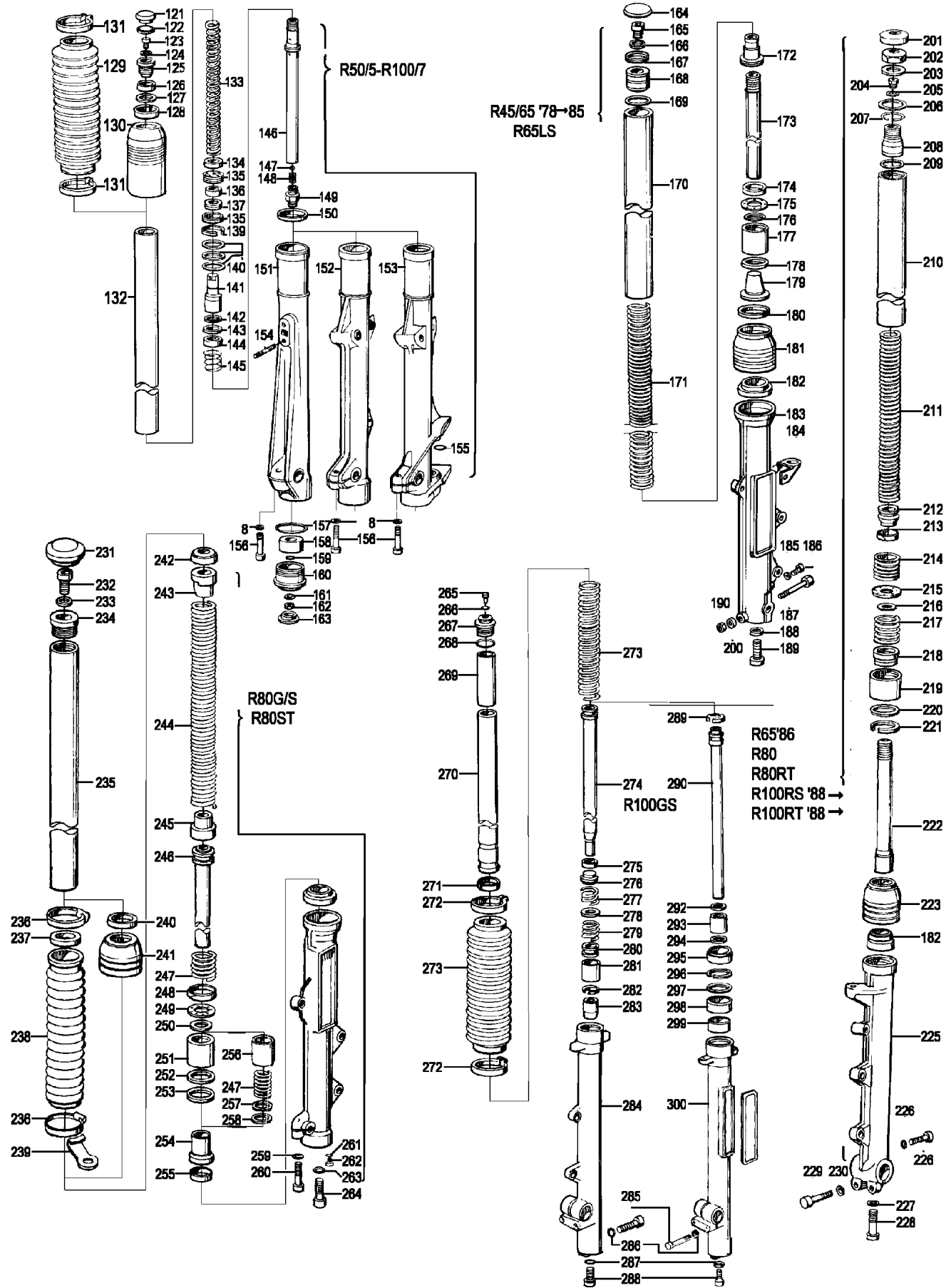


R100GS



R100, 100RS/RT und R100/7





| Picture-No. | Article-No. | Description   | Net     | Gross   |
|-------------|-------------|---|---------|---------|
| 31_0        | 22083       | Spring washer B10, DIN137A zincked  | 0,17 €  | 0,20 €  |
| 31_000      | 2307241     | Indicator light holder-blind for BMW R80R-100R, left side, silver REMNANTS!!! | 51,64 € | 61,45 € |
| 31_000      | 2314034     | Screw for top fork yoke R80R-R100 Mystic                                      | 12,44 € | 14,80 € |
| 31_000      | 2311639     | Nut for top fork yoke for BMW R80/R100R, Mystic                               | 7,98 €  | 9,50 €  |



|          |         |  |          |          |
|----------|---------|--|----------|----------|
| 31_000   | 2312714 | O-ring fork oil filler screw for BMW R80R and up   | 0,55 €   | 0,65 €   |
| 31_000   | 2312848 | Fork seal ring (piston ring) for BMW R80R and R100R  | 2,98 €   | 3,55 €   |
| 31_000   | 50127   | Seal-ring, fork K75-100  | 7,56 €   | 9,00 €   |
| 31_000   | 238217  | Steering damper return spring for BMW R60/7-R100 also as clutch release fork spring for models until year of manufacture 1973  | 3,28 €   | 3,90 €   |
| 31_000   | 1458474 | Distance washer fork seal for BMW Models from year of manufacture 09/1984  | 1,29 €   | 1,54 €   |
| 31_000   | 1237213 | Fork felt for BMW R45, R65, R80 and R100 from year of manufacture 1978   | 1,26 €   | 1,50 €   |
| 31_000   | 1458065 | Fork boot for BMW R80GS, R100GS years of manufacture 1991-1995 and R80GS Basic   | 12,31 €  | 14,65 €  |
| 31_000   | 3060    | Fork oil ATF43A, 1 Liter   | 6,30 €   | 7,50 €   |
| 31_000   | 1452138 | Washer fork R65RT, R80RT ->10/85   | 0,76 €   | 0,90 €   |
| 31_000   | 1240504 | Fork for MW R50/5-R75/5 used   | 600,00 € | 714,00 € |
| 31_000   | 1457133 | Cover cap for fork stabilisator screw for BMW R65/R80 from 1985  | 0,42 €   | 0,50 €   |
| 31_000   | 1356802 | Safety reflector carrier, fork R60/6-R100  | 13,36 €  | 15,90 €  |
| 31_000   | 1236900 | Cover cap for front fender screw for BMW R45, R65 from year of manufacture Sep 1980 and R80ST                                  | 2,10 €   | 2,50 €   |
| 31_000   | 1232925 | Handlebar clamping support SET for BMW R50/5, R60/5 and R75/5 polished (1x upper part + 1x lower part), REMNANTS               | 84,03 €  | 100,00 € |
| 31_000   | 2312831 | Fork tube R80R, R100R, Mystik, 1991-95   | 185,00 € | 220,15 € |
| 31_000a  | 2312838 | Seal Fork, R80R-R100R/MYS 91-95  | 8,91 €   | 10,60 €  |
| 31_001   | 94052   | Handlebar for side car use, universal, flat 750mm wide, Fehling  | 38,15 €  | 45,40 €  |
| 31_001   | 72002   | Handlebar (touring) medium high 95mm high, 670mm wide  | 26,05 €  | 31,00 €  |
| 31_001   | 5052    | Handlebar half-high, similar to BMW R50/5, R60/5 and R75/5 145mm high, 765mm wide, Fehling, US-Version                         | 45,13 €  | 53,70 €  |
| 31_001a  | 72189   | Handlebar for BMW R50/5-R100/7, original shape, flat   | 28,15 €  | 33,50 €  |
| 31_001b  | 03041   | Handlebar for BMW R100RS 550mm wide  | 78,91 €  | 93,90 €  |
| 31_001c  | 03043   | Handlebar for BMW RT-Models and R45 and R65, high Fehling  | 39,58 €  | 47,10 €  |
| 31_001h  | 3062    | Handlebar, LN A 200mm high, 800mm wide, Fehling, REMNANTS  | 30,17 €  | 35,90 €  |
| 31_002   | 72036   | Handlebar for BMW R50-R69S, half-high with cross bar 160mm high, 750mm wide, Fehling, US-Version                               | 42,69 €  | 50,80 €  |
| 31_003   | 00391   | Handlebar clamping support for BMW R50/5, R60/5 and R75/5, upper   | 31,01 €  | 36,90 €  |
| 31_004   | 30467   | Steering damper knob for BMW R50/5, R60/5 and R75/5  | 41,01 €  | 48,80 €  |
| 31_005   | 32926   | Handlebar clamping support for BMW R90S-R100RT, lower black  | 51,43 €  | 61,20 €  |
| 31_006a  | 30478   | Cap nut fork top for BMW R50/5-R100RT with hole  | 17,90 €  | 21,30 €  |
| 31_006b  | 1235429 | Cap nut fork top for BMW R65-R100 until year of manufacture 09/1984, without hole  | 21,76 €  | 25,90 €  |
| 31_007   | 1232511 | Top fork yoke for BMW R50/5-R90/6  | 56,22 €  | 66,90 €  |
| 31_007a  | 1240075 | Top fork yoke for BMW R60/7-R100, from year of manufacture 09/1977   | 28,49 €  | 33,90 €  |
| 31_008   | 98414   | Washer B 8,4   | 0,06 €   | 0,07 €   |
| 31_010b  | 1230696 | Fork rubber ring for BMW R50/5-R100, upper, 4,0mm until year of manufacture 08/1984  | 3,36 €   | 4,00 €   |
| 31_010bb | 1452141 | Fork rubber ring for BMW R65, R100R, R80 and R80R, upper from year of manufacture 09/1984                                      | 2,10 €   | 2,50 €   |
| 31_010c  | 2000385 | Fork rubber ring for BMW R50/5-R100 and R65, lower until year of manufacture 1995  | 3,95 €   | 4,70 €   |
| 31_011a  | 1231014 | Headlight ear for BMW R50/5, R60/5 and R75/5, left side  | 60,34 €  | 71,80 €  |
| 31_011b  | 1231018 | Headlight ear for BMW R50/5, R60/5 and R75/5, right side   | 60,34 €  | 71,80 €  |
| 31_011c  | 1236878 | Headlight ear for BMW R60/6-R100, left side until year of manufacture 09/1984 and for BMW R80 from year of manufacture 09/1984 | 102,94 € | 122,50 € |
| 31_011e  | 2307385 | Headlight bracket cover for BMW R80R-R100R, left side primed   | 31,01 €  | 36,90 €  |
| 31_011f  | 2307386 | Headlight bracket cover for BMW R80R-R100R, right side primed  | 31,01 €  | 36,90 €  |
| 31_012a  | 1233941 | Indicator light holder for BMW R50/5-R100/7, front, chromed  | 33,53 €  | 39,90 €  |
| 31_013a  | 1230577 | Lower fork yoke for BMW R50/5-R75/5  | 294,03 € | 349,90 € |
| 31_013b  | 1233956 | Lower fork yoke for BMW R60/6-R100 until year of manufacture 09/1984   | 253,78 € | 302,00 € |
| 31_015   | 30471   | Steering damper resistor plate R50/5-75/5  | 16,72 €  | 19,90 €  |
| 31_017   | 98165   | Screw M6x16, allen-head  | 0,17 €   | 0,20 €   |
| 31_023   | 00315   | Steering clamping nut for BMW R50/2, R60/2 and R69S with telescopic fork (USA) and for BMW R50/5, R60/5 and R75/5, used        | 7,16 €   | 8,52 €   |
| 31_024   | 9985070 | Steering head bearing set for BMW R50/5-R100R  | 39,41 €  | 46,90 €  |
| 31_026   | 00312   | Dust cap steering head for R50/5-R100, top   | 22,52 €  | 26,80 €  |
| 31_027   | 00311   | Clamping ring steering for BMW R50/2, R60/2 and R69S with telescopic fork (USA) and for BMW R50/5, R60/5 and R75/5, used       | 9,20 €   | 10,95 €  |
| 31_030   | 32343   | Grooved nut fork top for BMW R50/5-R100  | 18,40 €  | 21,90 €  |
| 31_031   | 1242232 | Indicator light holder for BMW R80G/S, front, right side   | 20,13 €  | 23,95 €  |
| 31_034   | 41470   | Clamp pin for lower fork yoke, valve cover   | 0,76 €   | 0,90 €   |
| 31_038   | 1242231 | Indicator light holder for BMW R80G/S, front, left side  | 20,13 €  | 23,95 €  |
| 31_046   | 34509   | Dust cap steering head for R50/5-R100, bottom  | 4,87 €   | 5,80 €   |
| 31_047   | 2311637 | Lower fork yoke for BMW R80-R100GS, PD, Basic  | 205,88 € | 245,00 € |
| 31_053   | 1237243 | Top fork yoke screw R45/65   | 18,40 €  | 21,90 €  |
| 31_054   | 1237191 | Top fork yoke for BMW R45 and R65  | 86,00 €  | 102,34 € |



|         |         |   |          |          |
|---------|---------|---|----------|----------|
| 31_054a | 1235573 | Headlight ear-indicator holder unit for BMW R45/R65 and R80ST "front plate"   | 92,35 €  | 109,90 € |
| 31_059  | 1237255 | Brake hose holder for BMW R45 and R65, upper fork yoke  | 1,60 €   | 1,90 €   |
| 31_066  | 1242262 | Lock nut fork top for BMW R65-R100 from year of manufacture 09/1984   | 6,30 €   | 7,50 €   |
| 31_069  | 1232242 | Bushing gauge-unit holder for BMW R60/6-R100, small   | 1,01 €   | 1,20 €   |
| 31_070  | 7670749 | Grommet instruments-holder R60/6-R100, small  | 1,43 €   | 1,70 €   |
| 31_071  | 1232240 | Instrument holder for BMW R60/6-R100S   | 22,02 €  | 26,20 €  |
| 31_074  | 1232243 | Cap for upper fork guide for BMW R60/6-R100RT   | 1,05 €   | 1,25 €   |
| 31_075  | 1232241 | Bushing gauge-unit holder for BMW R60/6-R100, large   | 4,62 €   | 5,50 €   |
| 31_076  | 1232245 | Grommet instruments-holder R60/6-R100S, large   | 1,43 €   | 1,70 €   |
| 31_079  | 34509   | Dust cap steering head for R50/5-R100, buttom   | 4,87 €   | 5,80 €   |
| 31_089  | 2311682 | Top fork yoke for BMW R80-R100GS, PD, Basic   | 92,03 €  | 109,52 € |
| 31_090  | 98420   | Washer B 10,5   | 0,08 €   | 0,10 €   |
| 31_093  | 2311637 | Lower fork yoke for BMW R80-R100GS, PD, Basic   | 205,88 € | 245,00 € |
| 31_095a | 2315713 | Hand protector cover for BMW R80GS and R100GS from year of manufacture 1991, right side   | 3,83 €   | 4,56 €   |
| 31_095b | 2315711 | Hand protector for BMW R80GS-R100PD from year of manufacture 1991, left side  | 13,36 €  | 15,90 €  |
| 31_095c | 2315870 | Hand protector retrofit kit R80GS-R100PD  | 50,34 €  | 59,90 €  |
| 31_095d | 1234359 | Hand protector police fairing for BMW-models, right side  | 38,00 €  | 45,22 €  |
| 31_095e | 2315712 | Hand protector for BMW R80GS-R100PD from year of manufacture 1991, right side   | 13,36 €  | 15,90 €  |
| 31_1    | 63073   | Gasket ring toolbox screw, M10x14x1.5   | 0,17 €   | 0,20 €   |
| 31_105  | 1461432 | Shifting lever tenon from year of manufacture 1981 also for steering-damper for BMW R50/5 and up  | 2,44 €   | 2,90 €   |
| 31_106a | 32361   | Steering damper hydraulic for BMW R50/5-R100  | 65,46 €  | 77,90 €  |
| 31_107  | 9928103 | Screw for steering damper hand wheel R60/6-R100   | 1,01 €   | 1,20 €   |
| 31_109  | 32556   | Bushing steering damper for BMW R60/6-R100  | 6,47 €   | 7,70 €   |
| 31_110  | 32275   | Steering damper cogwheel for BMW R60/6-R100   | 10,29 €  | 12,25 €  |
| 31_113  | 1232274 | Steering damper slide for BMW R60/6-R100  | 13,15 €  | 15,65 €  |
| 31_114  | 1232270 | Steering damper housing for BMW R60/6-R100  | 23,74 €  | 28,25 €  |
| 31_115  | 98137   | Screw M5x16 allen-head  | 0,17 €   | 0,20 €   |
| 31_118  | 1237285 | Steering damper bolt for BMW R45, R65 and R65LS   | 4,12 €   | 4,90 €   |
| 31_120  | 87611   | Lock bow, steering damper connector + shifter gear  | 1,22 €   | 1,45 €   |
| 31_121  | 1234399 | Front fork cap for BMW R50/5-R100/7 and R100S until year of manufacture 09/1977   | 10,67 €  | 12,70 €  |
| 31_121a | 1237858 | Tool for fork cap /5 > 09/77 original BMW   | 15,04 €  | 17,90 €  |
| 31_122  | 33343   | Gasket ring fork for BMW R25, R25/2 and from R50/5, upper cap   | 1,39 €   | 1,65 €   |
| 31_123  | 9919662 | Fork oil fill screw for BMW R60/6-R100  | 0,84 €   | 1,00 €   |
| 31_124  | 9963041 | Gasket ring for small fork seal screw for BMW R50/5-R100 until year of manufacture 09/1977 and fork from BMW R50/5 and up, buttom, small  | 0,25 €   | 0,30 €   |
| 31_125  | 1238904 | Fork mount piece for BMW R60/7-R100   | 25,97 €  | 30,90 €  |
| 31_126  | 2000399 | Fork spacer for BMW R50/5, R60/5 and R75/5, pre-tension   | 2,23 €   | 2,65 €   |
| 31_127  | 40179   | Washer for top fork yoke R50/5->  | 4,87 €   | 5,80 €   |
| 31_128  | 1233038 | Fork felt for BMW R90S, R100S/RT/T/S, /7, R80 until year of manufacture 09/1980   | 1,68 €   | 2,00 €   |
| 31_129a | 34908   | Rubber boot fork for BMW R50/5-R100/7 with 13 ribs  | 15,13 €  | 18,00 €  |
| 31_129b | 1234908 | Rubber boot fork for BMW R50/5-R100/7 with 11 ribs  | 14,24 €  | 16,95 €  |
| 31_130  | 34396   | Fork boot for BMW R90S and R60/7-R100RT until year of manufacture 09/1980   | 20,00 €  | 23,80 €  |
| 31_131  | 61026   | Clamp for fork boot for R50/5-R100/7 (clamp with screw)   | 1,26 €   | 1,50 €   |
| 31_131  | 9061026 | Clamp for air tube for R50/5 (clamp with screw)   | 1,26 €   | 1,50 €   |
| 31_131  | 9161026 | Clamp for Air tube rubber for R75/5, R75/6, R90/6 (clamp with screw)  | 1,26 €   | 1,50 €   |
| 31_132a | 00376   | Fork tube R50/5-R100 ->09/80  | 161,18 € | 191,80 € |
| 31_132b | 41655   | Fork tube R80, R80GS, R100, 09/80->09/84  | 151,18 € | 179,90 € |
| 31_132e | 1454814 | Fork tube R65-R100RT, 85> monolever   | 151,18 € | 179,90 € |
| 31_133b | 1231358 | Fork spring for BMW R50/5-R100 until year of manufacture 09/1980, normal model  | 40,50 €  | 48,20 €  |
| 31_133b | 32018   | Front fork spring set for BMW R50/5-R100 until year of manufacture 09/1984, progressive   | 39,41 €  | 46,90 €  |
| 31_133b | 1232017 | Fork spring for BMW R50/5-R100RT until year of manufacture 09/1984, heavy duty original BMW   | 36,05 €  | 42,90 €  |
| 31_133b | 1241657 | Fork spring for BMW R80-R100RT years of manufacture 09/1980-09/1984 and for BMW R65GS, R80GS years of manufacture 1981-1992, original BMW | 26,05 €  | 31,00 €  |
| 31_134  | 2000384 | Fork stop bushing for BMW R50/5-R100, until year of manufacture 08/1980   | 2,69 €   | 3,20 €   |
| 31_135  | 1232046 | Fork threaded ring for BMW R50/5-R100 until year of manufacture 09/1980   | 16,72 €  | 19,90 €  |
| 31_136  | 1232045 | Fork damper ring for BMW R50/5-R100 until year of manufacture 08/1980   | 10,84 €  | 12,90 €  |
| 31_137  | 1234506 | Fork damper ring for BMW R50/5-R100 until year of manufacture 08/1980 for harder springs  | 6,89 €   | 8,20 €   |
| 31_139  | 9934650 | Fork circlip R50/5-R100 bis 09/80   | 0,80 €   | 0,95 €   |
| 31_140  | 1232059 | Front fork inner wiper ring for BMW R50/5-R100 until year of manufacture 09/1980  | 2,27 €   | 2,70 €   |
| 31_141  | 1232054 | Spring retainer, lower R50/5-R100 ->09/80   | 37,73 €  | 44,90 €  |
| 31_142  | 1232763 | Fork inner plastic washer for BMW R50/5-R100  | 4,20 €   | 5,00 €   |
| 31_143  | 1232058 | Bushing fork for BMW R50/5-R75/5  | 7,48 €   | 8,90 €   |



|         |         |   |          |          |
|---------|---------|---|----------|----------|
| 31_145  | 1232057 | Thrust spring fork, damper/tube for BMW models from year of manufacture 09/1969   | 1,68 €   | 2,00 €   |
| 31_147  | 86280   | Ball for fork bolt for BMW R50/5, R60/5 and R75/5   | 0,42 €   | 0,50 €   |
| 31_148  | 32061   | Thrust spring for fork bolt R50/5-R100  | 1,60 €   | 1,90 €   |
| 31_149  | 32060   | Fork bolt R50/5-R100  | 10,42 €  | 12,40 €  |
| 31_150  | 230001  | Seal-ring, R50/5-R100RS, R45/65,->08/84 R65GS-R80ST, 09/80-09/87 (Monolever)  | 5,67 €   | 6,75 €   |
| 31_151  | 2000378 | Fork leg lower, R50/5-R75/5, r/h  | 147,02 € | 174,95 € |
| 31_151a | 2000377 | Fork leg lower, R50/5-R75/5, l/h  | 147,02 € | 174,95 € |
| 31_152  | 1232297 | Fork leg lower,R60/6, r+l, 60/7 right, 14mm axle  | 180,59 € | 214,90 € |
| 31_153  | 1232255 | Fork leg lower R75/6-R90S, r/h, >09/74 for 14mm axle  | 207,06 € | 246,40 € |
| 31_153a | 1232476 | Fork leg lower R75/6-R90S, l/h, >09/74 for 14mm axle  | 207,06 € | 246,40 € |
| 31_153c | 1233509 | Fork leg lower R75/6-R100RT, l/h 09/74-09/80, for 17mm axle   | 289,83 € | 344,90 € |
| 31_154  | 98562   | Dowel pin for engine/gearbox R50-R69S and carburator flange R25-R69S  | 3,32 €   | 3,95 €   |
| 31_155  | 1231483 | Fork seal for skid pipe /6, /7, R100CS, RT, RS, S   | 8,36 €   | 9,95 €   |
| 31_156  | 98204   | Screw M 8x35, allen-head for BMW R50/5-R100 cylinder-head screw, hexagon socket   | 0,46 €   | 0,55 €   |
| 31_156  | 2322411 | Fork oil drain screw M 5 from BMW R60/7 and up  | 0,21 €   | 0,25 €   |
| 31_157a | 1232426 | Gasket ring fork for BMW R50/5-R75/5, lower, large  | 1,43 €   | 1,70 €   |
| 31_157b | 1232369 | Gasket ring fork for BMW R60/6-R100 until year of manufacture 09/1984, lower, large also gasket ring exhaust pipe for BMW R35             | 2,10 €   | 2,50 €   |
| 31_157c | 9963010 | Gasket ring fork from BMW R60/7, lower, small   | 0,34 €   | 0,40 €   |
| 31_158a | 1230751 | Fork bumper ring for BMW R50/5, R60/5 and R75/5   | 3,95 €   | 4,70 €   |
| 31_158b | 1231314 | Fork bumper ring for BMW R60/6-R100 until year of manufacture 08/1980   | 6,64 €   | 7,90 €   |
| 31_159  | 9963041 | Gasket ring for small fork seal screw for BMW R50/5-R100 until year of manufacture 09/1977 and fork from BMW R50/5 and up, buttom, small  | 0,25 €   | 0,30 €   |
| 31_160  | 2000380 | Fork lock screw for BMW R50/5, R60/5 and R75/5, buttom  | 40,25 €  | 47,90 €  |
| 31_160  | 2000382 | Fork lock screw for BMW R50/5-R75/5, buttom used  | 20,93 €  | 24,90 €  |
| 31_160a | 1231506 | Fork lock screw for BMW R60/6-R100, buttom  | 12,52 €  | 14,90 €  |
| 31_161  | 54140   | Gasket ring fork BMW R25/3, R51/2-R68 and R50/5-R75/5 for shock tube, low   | 0,42 €   | 0,50 €   |
| 31_163  | 2000381 | Front fork cap for BMW R50/5-R100, lower, until year of manufacture 08/1980   | 2,52 €   | 3,00 €   |
| 31_164  | 1239765 | Front fork cap for BMW R45-R65LS, top, years of manufacture 1978-1985   | 3,11 €   | 3,70 €   |
| 31_166  | 9919662 | Fork oil fill screw for BMW R60/6-R100  | 0,84 €   | 1,00 €   |
| 31_169  | 37245   | O-ring upper spring retainer for BMW R45 and R65  | 0,80 €   | 0,95 €   |
| 31_170  | 41657   | Fork tube R45/65  | 125,00 € | 148,75 € |
| 31_171  | 32021   | Front fork spring set for BMW R45, R65 and R80ST until year of manufacture 09/1984, progressive   | 54,71 €  | 65,10 €  |
| 31_174  | 1237215 | Fork bumper ring for BMW R45 and R65 until year of manufacture 09/1984  | 2,44 €   | 2,90 €   |
| 31_178  | 9934645 | Fork fuse ring R45/65 bis 09/80 R65GS-R80ST, R80, R100 ab 11/82 >   | 0,76 €   | 0,90 €   |
| 31_178a | 1242646 | Fork fuse ring R45/65 up from 09/80 > R65GS-R80ST, R80/7-R100, 09/80-11/82  | 0,76 €   | 0,90 €   |
| 31_181  | 1237205 | Fork boot for BMW R45/R65, R80-R100RT and R80ST years of manufacture 09/1980-09/1984  | 7,48 €   | 8,90 €   |
| 31_182  | 1241737 | Fork spacer Typ 56 all, Typ 54 from year of manufacture 11/1982 Typ 57 from year of manufacture 09/1980                                   | 9,66 €   | 11,50 €  |
| 31_182b | 10199   | Seal-ring, fork R65-R100RT 84->   | 11,26 €  | 13,40 €  |
| 31_201  | 1454815 | Front fork cap for BMW R65-R80RT from year 1985, R100 until 1987, top   | 1,64 €   | 1,95 €   |
| 31_201  | 1238909 | Front fork cap plastic for BMW R60/7-R100RT, top, from 09/1977-1995   | 6,05 €   | 7,20 €   |
| 31_209  | 1454962 | Fork o-ring R65-R80RT   | 1,56 €   | 1,86 €   |
| 31_211  | 32020   | Fork spring for BMW R65-R100 from year of manufacture 1985, progressive   | 20,59 €  | 24,50 €  |
| 31_213  | 1452013 | Fork guide plastic for BMW R65, R80 and R100 from year of manufacture 09/1984   | 1,85 €   | 2,20 €   |
| 31_218  | 2301886 | Fork spring sleeve for BMW R80, R100 and R65GS from year of manufacture 11/1982   | 2,23 €   | 2,65 €   |
| 31_223  | 1454392 | Fork boot for BMW models years of manufacture 09/1984-09/1986   | 18,57 €  | 22,10 €  |
| 31_228  | 9913408 | Fork oil drain screw for BMW R65, R80 from year 09/1984 and R100 from year 09/1986  | 0,87 €   | 1,04 €   |
| 31_232  | 9919112 | Fork oil fill screw for BMW R65, R80GS, ST from year of manufacture 1980, RT from year 1985 R100 from year of manufacture 1987            | 0,80 €   | 0,95 €   |
| 31_237  | 1241669 | Fork rubber ring for BMW R65GS and R80GS  | 4,62 €   | 5,50 €   |
| 31_238a | 1241666 | Rubber boot fork for BMW R80G/S and R65GS   | 14,87 €  | 17,70 €  |
| 31_238b | 1311077 | Rubber boot fork for BMW R80GS and R100GS from year of manufacture 09/1988  | 26,81 €  | 31,90 €  |
| 31_243  | 2301724 | Front fork support bearing for BMW R65GS, R80G/S and R80-R100 from year of manufacture 09/1980  | 11,43 €  | 13,60 €  |
| 31_244  | 1231358 | Fork spring for BMW R50/5-R100 until year of manufacture 09/1980, normal model  | 40,50 €  | 48,20 €  |
| 31_244  | 32018   | Front fork spring set for BMW R50/5-R100 until year of manufacture 09/1984, progressive   | 39,41 €  | 46,90 €  |
| 31_244  | 1232017 | Fork spring for BMW R50/5-R100RT until year of manufacture 09/1984, heavy duty original BMW   | 36,05 €  | 42,90 €  |
| 31_244  | 1241657 | Fork spring for BMW R80-R100RT years of manufacture 09/1980-09/1984 and for BMW R65GS, R80GS years of manufacture 1981-1992, original BMW | 26,05 €  | 31,00 €  |
| 31_244a | 3142510 | Front fork spring set for BMW R80GS and R100GS, progressive from year of manufacture 09/1987  | 44,96 €  | 53,50 €  |
| 31_248  | 1241649 | Fork guide plastic for BMW-models from year of manufacture 09/1980-1984   | 14,71 €  | 17,50 €  |

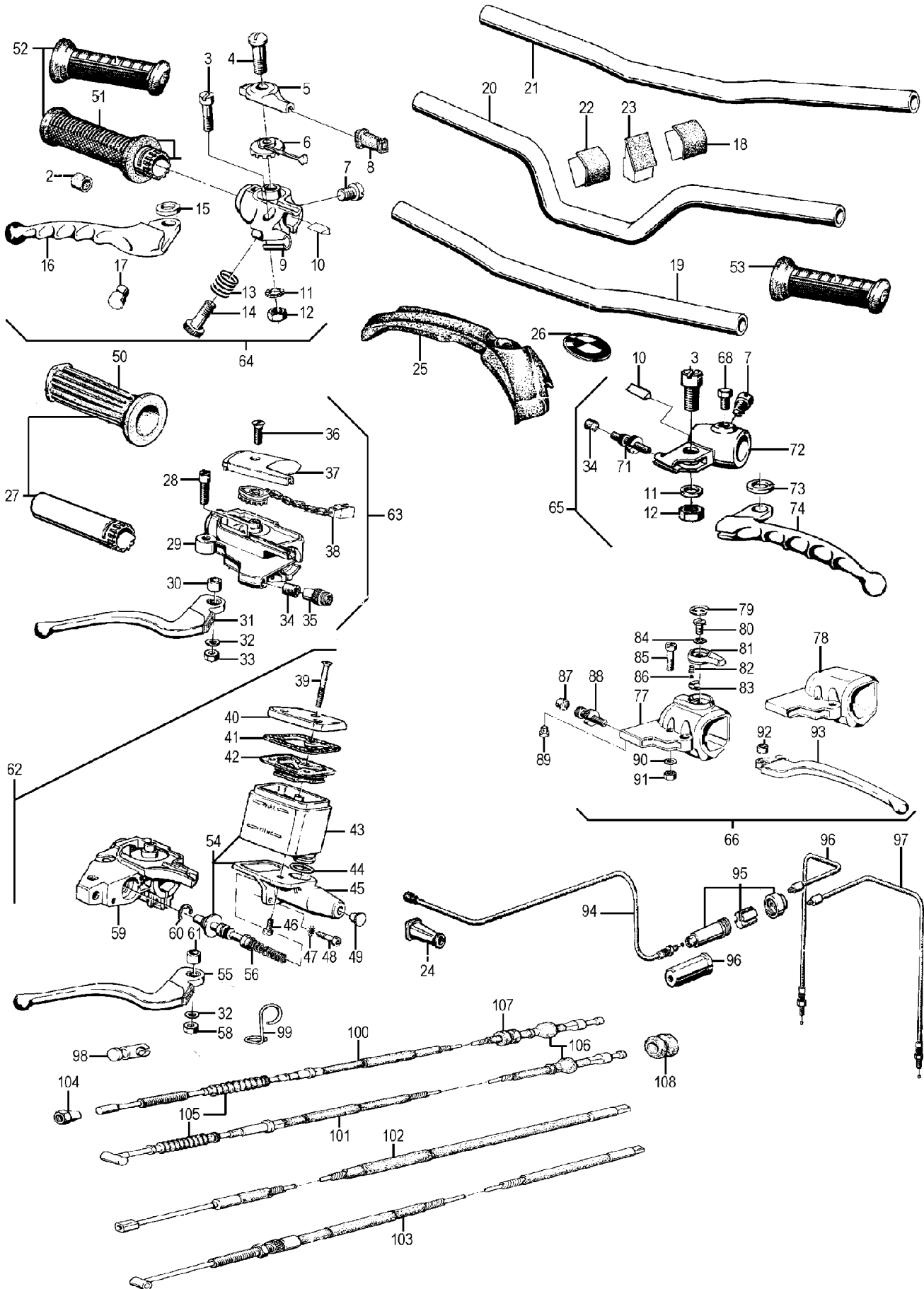




|         |         |  |          |          |
|---------|---------|--|----------|----------|
| 31_250  | 1242645 | Fork valve disc  | 0,84 €   | 1,00 €   |
| 31_270  | 1457853 | Fork tube R80-R100GS, PD, Basic  | 159,58 € | 189,90 € |
| 31_273a | 1458220 | Rubber boot fork for BMW R80GS, R100GS/PD from year 1987-08/1989           | 30,67 €  | 36,50 €  |
| 31_273b | 1311077 | Rubber boot fork for BMW R80GS and R100GS from year of manufacture 09/1988 | 26,81 €  | 31,90 €  |
| 31_298  | 1458064 | Seal-ring, fork, R80GS-R100PD, 09/90->                                     | 8,07 €   | 9,60 €   |
| 31_301  | 1244529 | Yellow side reflector, fork + bags   | 6,30 €   | 7,50 €   |



**Group 32 Steering and handlebar**



| <u>Picture-No.</u> | <u>Article-No.</u> | <u>Description</u>  | <u>Net</u> | <u>Gross</u> |
|--------------------|--------------------|---|------------|--------------|
| 32_0               | 1451749            | Clutch/brake lever bolt for BMW R80-R100, from year of manufacture 09/1990    | 2,94 €     | 3,50 €       |
| 32_000             | 1451734            | Throttle control housing for BMW R80-R100PD, from year of manufacture 09/1990 | 46,28 €    | 55,07 €      |



|         |         |   |          |          |
|---------|---------|---|----------|----------|
| 32_000  | 1236886 | Cover cap for extra switch for BMW R45-R100   | 2,73 €   | 3,25 €   |
| 32_000  | 1237001 | Cover cap for additional switch for BMW R60/7-R100  | 1,43 €   | 1,70 €   |
| 32_000  | 1236871 | Handlebars impact plate R60/7-R100  | 310,00 € | 368,90 € |
| 32_000  | 25600   | Throttle control unit "Sport", radial, 1 cable, 46mm stroke aluminum  | 76,89 €  | 91,50 €  |
| 32_000  | 1459318 | Cover cap for impact plate for K-Model and R1100  | 0,97 €   | 1,15 €   |
| 32_000  | 2311754 | Cable holder R80R-R100PD, 09/90->   | 3,44 €   | 4,09 €   |
| 32_000  | 1452460 | Handlebars impact plate R65, R80 09/85->  | 15,04 €  | 17,90 €  |
| 32_000  | 1242932 | Cover cap for additional switch for BMW R45-R65RT SF, R100RT/RS, R80, R80ST/RT  | 4,37 €   | 5,20 €   |
| 32_000  | 1452428 | Handlebar impact plate R100RS   | 29,58 €  | 35,20 €  |
| 32_004  | 32668   | Screw for throttle cover R26-R100 ->81 REMNANTS   | 6,05 €   | 7,20 €   |
| 32_004a | 72259   | Screw for throttle cover R26-R100 up to 1981 stainless steel polished   | 4,62 €   | 5,50 €   |
| 32_005b | 1233306 | Throttle control cover for BMW R50/5-R90S, years of manufacture 09/1972-08/1974, long   | 18,91 €  | 22,50 €  |
| 32_006  | 1232463 | Throttle cam for BMW R50/5-R90S until year of manufacture 09/1974 brass   | 45,63 €  | 54,30 €  |
| 32_007a | 72219   | Clamp screw, control housing for BMW R26, R27, R50-R69S and R50/5-R75/5   | 0,42 €   | 0,50 €   |
| 32_007b | 9900311 | Clamp screw, control housing for BMW models from year of manufacture 09/1975  | 0,42 €   | 0,50 €   |
| 32_008  | 30037   | Grommet for throttle cabel on handle bar, 2 cables for BMW R50/5-R100RT   | 2,69 €   | 3,20 €   |
| 32_009a | 1232664 | Throttle control housing for BMW R50/5-R90S, years of manufacture 09/1972 - 08/1974 original BMW  | 60,84 €  | 72,40 €  |
| 32_010  | 72223   | Wedge for Magura throttle/clutch assy for BMW R26, R27, R50-R69S and R50/5-R90S   | 4,16 €   | 4,95 €   |
| 32_011  | 1230871 | Spring washer for clutch/- brake lever  | 0,50 €   | 0,60 €   |
| 32_012  | 38382   | Nut for brake/clutch lever bolt   | 0,50 €   | 0,60 €   |
| 32_014  | 1230874 | Locking screw for throttle control for BMW R50/5-R100 (including spring)  | 9,16 €   | 10,90 €  |
| 32_016  | 1233350 | Brake lever for BMW R50/5-R90S, until year of manufacture 08/1974   | 37,90 €  | 45,10 €  |
| 32_017  | 11440   | Nipple adaptor for BMW R26-R69S and for BMW R50/5-R100 on lever   | 5,46 €   | 6,50 €   |
| 32_020  | 5052    | Handlebar half-high, similar to BMW R50/5, R60/5 and R75/5 145mm high, 765mm wide, Fehling, US-Version  | 45,13 €  | 53,70 €  |
| 32_020  | 3063    | Handlebar, LN B 250mm high, 830mm wide, Fehling   | 40,25 €  | 47,90 €  |
| 32_020  | 2303272 | Handlebar for BMW R65GS and R80G/S-R100GS black   | 120,00 € | 142,80 € |
| 32_021  | 72189   | Handlebar for BMW R50/5-R100/7, original shape, flat  | 28,15 €  | 33,50 €  |
| 32_024  | 42495   | Grommet for throttle cabel on handle bar, 1 cable, for BMW R26 and R27  | 2,94 €   | 3,50 €   |
| 32_025  | 35611   | Handle impact plate R100RS  | 83,95 €  | 99,90 €  |
| 32_026  | 1238280 | Emblem baffle plate handlebar for BMW-Models from year of manufacture 1976 until 1984   | 7,23 €   | 8,60 €   |
| 32_027  | 1454129 | Throttle twist tube for BMW R60/6-R100, R65GS-R100GS, R45/R65 from year of manufacture 09/1974  | 27,65 €  | 32,90 €  |
| 32_028  | 1451749 | Clutch/brake lever bolt for BMW R80-R100, from year of manufacture 09/1990  | 2,94 €   | 3,50 €   |
| 32_031a | 1234850 | Brake lever for BMW R60/6-R100, years of manufacture 09/1974-08/1980  | 20,00 €  | 23,80 €  |
| 32_031b | 1238384 | Brake lever for BMW R45 and R65, until year of manufacture 08/1980  | 30,17 €  | 35,90 €  |
| 32_032  | 1230871 | Spring washer for clutch/- brake lever  | 0,50 €   | 0,60 €   |
| 32_034  | 1231610 | Felt for cables from R50/5 and up   | 1,85 €   | 2,20 €   |
| 32_036  | 1454245 | Screw for throttle top cover 09/81->  | 2,10 €   | 2,50 €   |
| 32_037b | 33539   | Throttle control cover for BMW R60/6-R100, years of manufacture 09/1975-09/1980, new cam 2 cables   | 9,03 €   | 10,75 €  |
| 32_037c | 1242561 | Throttle control cover for BMW R80 and R100, new cam, 1 cable and for BMW R45, R65 from year of manufacture 09/1980                                     | 14,54 €  | 17,30 €  |
| 32_038  | 1232463 | Throttle cam for BMW R50/5-R90S until year of manufacture 09/1974 brass   | 45,63 €  | 54,30 €  |
| 32_038a | 1233535 | Throttle cam for BMW R60/6-R100, years of manufacture 09/1974-09/1980 33mm stroke, 2 cables   | 19,66 €  | 23,40 €  |
| 32_038b | 1457036 | Throttle cam for BMW R80GS-K100 from year of manufacture 09/1990 38mm stroke, 1 cable   | 15,04 €  | 17,90 €  |
| 32_038c | 1233536 | Throttle cam for BMW R90S, R100S, R100RT and R100RS, years of manufacture 09/1974-09/1980 40mm stroke, 2 cables   | 15,88 €  | 18,90 €  |
| 32_038d | 1457038 | Throttle cam for BMW R80, R80GS and R65-R100 from year of manufacture 09/1985 35mm stroke, 2 cables   | 15,04 €  | 17,90 €  |
| 32_038e | 1457080 | Throttle cam for BMW R80, R45, R65 years of manufacture 09/1980-09/1984 and for BMW R65G/S-R80ST from year of manufacture 09/1984, 35mm stroke, 1 cable | 15,04 €  | 17,90 €  |
| 32_038f | 1457081 | Throttle cam for BMW R100 from year of manufacture 09/1980 42mm stroke, 1-cable and for BMW R80 from year of manufacture 1985                           | 17,56 €  | 20,90 €  |
| 32_038g | 1458092 | Throttle cam for BMW R80 and R100GS, years of manufacture 09/1987-08/1990 42mm stroke, 2 cables   | 15,04 €  | 17,90 €  |
| 32_038h | 1238379 | Throttle cam for BMW R45 and R65, years of manufacture 09/1978-09/1985 33mm stroke, 2 cables  | 18,07 €  | 21,50 €  |
| 32_039a | 9928128 | Brake fluid container screw for BMW R80R/R100R, R80GS Basic and R80GS/R100GS from year of manufacture 09/1990, short                                    | 3,28 €   | 3,90 €   |
| 32_039b | 9942544 | Break fluid container screw from year of manufacture 09/1976, long and for BMW R45 and R65 from year of manufacture 09/1980                             | 3,28 €   | 3,90 €   |
| 32_039c | 2311143 | Brake fluid container screw for BMW R45 und R65 until year of manufacture 09/1980   | 2,44 €   | 2,90 €   |
| 32_040a | 1454945 | Brake fluid container cover for BMW R80/7-R100 and R45 and R65 from year of manufacture 09/1980   | 10,04 €  | 11,95 €  |



|         |         |  |          |          |
|---------|---------|--|----------|----------|
| 32_040b | 1454944 | Brake fluid container cover for BMW R80R/R100R, R80GS Basic and R80GS/R100GS from year of manufacture 09/1990  | 8,82 €   | 10,50 €  |
| 32_040c | 1238389 | Brake fluid container cover for BMW R45 and R65 until year of manufacture 09/1980  | 9,20 €   | 10,95 €  |
| 32_042a | 1242547 | Brake fluid container boot & washer for BMW R80/7-R100 from year of manufacture 09/1976 and for BMW R45 and R65 from year of manufacture 09/1980         | 8,99 €   | 10,70 €  |
| 32_042b | 1451742 | Brake fluid container boot & washer for BMW R80R/R100R and R80G/S and R100GS from year of manufacture 09/1990  | 7,52 €   | 8,95 €   |
| 32_042c | 1238387 | Brake fluid container boot & washer for BMW R45 and R65 until year of manufacture 08/1980  | 7,98 €   | 9,50 €   |
| 32_043  | 1242623 | Brake fluid container on throttle-control for BMW R45/R65 + R80/7-R100, from year of manufacture 1976  | 12,52 €  | 14,90 €  |
| 32_044  | 42624   | O-ring for brake box (gas grip)  | 2,10 €   | 2,50 €   |
| 32_050  | 720852  | Handle bar rubber for BMW R60/7-R100, pair, square   | 10,84 €  | 12,90 €  |
| 32_050a | 2300388 | Heating grip R65-R100, RH, Original BMW  | 66,30 €  | 78,90 €  |
| 32_051  | 1233307 | Throttle twist tube for BMW R50/5-R90S until year of manufacture 08/1974 with handle rubber  | 27,48 €  | 32,70 €  |
| 32_051a | 72153   | Throttle twist tube for BMW R26, R27 and R50-R69S and for BMW R50/5-R90S until year of manufacture 08/1974, steel  | 25,80 €  | 30,70 €  |
| 32_052  | 37812   | Handle bar rubber for BMW R60/7-R100, right side, square   | 5,46 €   | 6,50 €   |
| 32_052a | 19152   | Handle bar rubber for BMW R24-R90S, pair, round  | 8,82 €   | 10,50 €  |
| 32_052b | 720850  | Handle bar rubber for BMW R24-R90S, pair, round, Magura  | 12,56 €  | 14,95 €  |
| 32_052c | 7208501 | Handle bar rubber for BMW R24-R90S, right side, round, Magura  | 7,48 €   | 8,90 €   |
| 32_052d | 7208502 | Handle bar rubber for BMW R24-R90S, left side, round, Magura   | 7,48 €   | 8,90 €   |
| 32_053  | 37811   | Handle bar rubber for BMW R60/7-R100, left side, square  | 5,46 €   | 6,50 €   |
| 32_054a | 1242548 | Brake cylinder set for BMW-Models years of manufacture 09/1981-09/1981 Ø:13mm, "Single Disk"   | 149,33 € | 177,70 € |
| 32_054a | 2302371 | Brake piston set (Master cylinder piston), Magura, 12mm 1 brake disc   | 41,93 €  | 49,90 €  |
| 32_054b | 1238392 | Brake piston set (Master cylinder piston), Magura, 13mm 1 brake disc   | 54,45 €  | 64,80 €  |
| 32_054c | 1454474 | Brake piston set (Master cylinder piston), Magura, 14mm 1 brake disc   | 41,93 €  | 49,90 €  |
| 32_054c | 1242873 | Brake cylinder set for BMW R60/7-> and R65LS from year of manufacture 09/1980 Ø:15mm, "double disk"  | 149,33 € | 177,70 € |
| 32_054d | 1242549 | Brake cylinder for BMW-Models years of manufacture 09/1981-09/1981 Ø:16mm, "double disk"   | 149,33 € | 177,70 € |
| 32_054d | 2334101 | Brake piston set (Master cylinder piston), Magura, 15mm 2 brake discs  | 41,93 €  | 49,90 €  |
| 32_054e | 1238393 | Brake piston set (Master cylinder piston), Magura, 16mm 2 brake discs  | 41,93 €  | 49,90 €  |
| 32_054f | 2310785 | Brake cylinder set for BMW R65 and R80-R100 from year of manufacture 04/1989 Ø=14mm  | 137,73 € | 163,90 € |
| 32_055  | 1242555 | Brake lever for BMW R45, R65 and R80/7-R100, from year of manufacture 09/1980  | 37,73 €  | 44,90 €  |
| 32_059  | 1242563 | Throttle control housing for BMW R45, R65 and R80-R100, R65GS, R80G/S, years 09/1980-09/1984   | 58,57 €  | 69,70 €  |
| 32_061  | 1451796 | Lever bushing for BMW R80GS/R100GS and R80R/R100R, from year of manufacture 09/1990  | 1,26 €   | 1,50 €   |
| 32_061  | 1232662 | Lever bushing for BMW R45-R100 and R60/6-R100RT, from year of manufacture 09/1980 and for BMW R65GS-R100GS   | 3,53 €   | 4,20 €   |
| 32_062  | 2302353 | Throttle control unit for BMW R45-R65LS, years of manufacture 09/1978-09/1980, Ø=16mm for 2 brake disc, (round brake fluid tank)                         | 228,49 € | 271,90 € |
| 32_062a | 2302368 | Throttle control unit complete for BMW R45-R100, years of manufacture 09/1981-09/1984 15mm, 2 brake disks, 1 cable                                       | 178,91 € | 212,90 € |
| 32_062b | 2310747 | Throttle control unit complete for BMW R65-R80RT, from year of manufacture 09/1985 15mm, 2 cables and for BMW R100RS/RT from year of manufacture 04/1989 | 210,00 € | 249,90 € |
| 32_062c | 2310742 | Throttle control unit complete for BMW R80R, R80GS, R100R and R100GS, from year of manufacture 09/19 13mm, 2 cables                                      | 165,00 € | 196,35 € |
| 32_063  | 2302363 | Throttle control unit for BMW R45-R100, years of manufacture 09/1980-09/1981, Ø=16mm for 2 brake disks, 1 cable  | 186,51 € | 221,95 € |
| 32_063a | 2302367 | Throttle control unit for BMW R45-R65, years of manufacture 1978-1985, Ø=12mm and for BMW R65GS-R80ST, years of manufacture 1980-1992, for 1 brake disc  | 172,23 € | 204,95 € |
| 32_063b | 1234847 | Throttle control unit for BMW R90S-R100RS, years of manufacture 09/1975-09/1980, 40mm stroke   | 113,36 € | 134,90 € |
| 32_064  | 1232981 | Throttle control unit for BMW R50/5-R90S, until year of manufacture 08/1974  | 147,65 € | 175,70 € |
| 32_065  | 32980   | Clutch control unit for BMW R50/5-R90S until year of manufacture 09/1974   | 111,43 € | 132,60 € |
| 32_071  | 30878   | Cable adjustor M10x1, with slot R60/6-R100   | 6,68 €   | 7,95 €   |
| 32_071  | 30876   | Cable adjustor R50/5-R100, without slot R50/5-R75/5  | 6,68 €   | 7,95 €   |
| 32_072  | 1232660 | Clutch control housing for BMW R50/5-R90S until year of manufacture 1975   | 38,99 €  | 46,40 €  |
| 32_072  | 1240796 | Clutch control housing for BMW R45-R100 from year of manufacture 09/1980   | 62,98 €  | 74,95 €  |
| 32_074  | 1233348 | Clutch lever for BMW R50/5-R90S, until year of manufacture 08/1974   | 38,57 €  | 45,90 €  |
| 32_077  | 1241862 | Clutch control unit for BMW R60/7-R100 from year of manufacture 11/1979 with choke lever   | 109,20 € | 129,95 € |
| 32_078  | 1234723 | Clutch control unit for BMW R60/6-R100 until year of manufacture 11/1979 and R45/R65 without choke lever   | 98,28 €  | 116,95 € |
| 32_079a | 1234724 | Choke lever cover for BMW R60/6 from year of manufacture 08/1980   | 3,61 €   | 4,30 €   |
| 32_079b | 1451975 | Cover for choke lever for BMW-models from year of manufacture 09/1980  | 5,80 €   | 6,90 €   |
| 32_080  | 9907430 | Choke lever bolt 09/76->   | 1,26 €   | 1,50 €   |

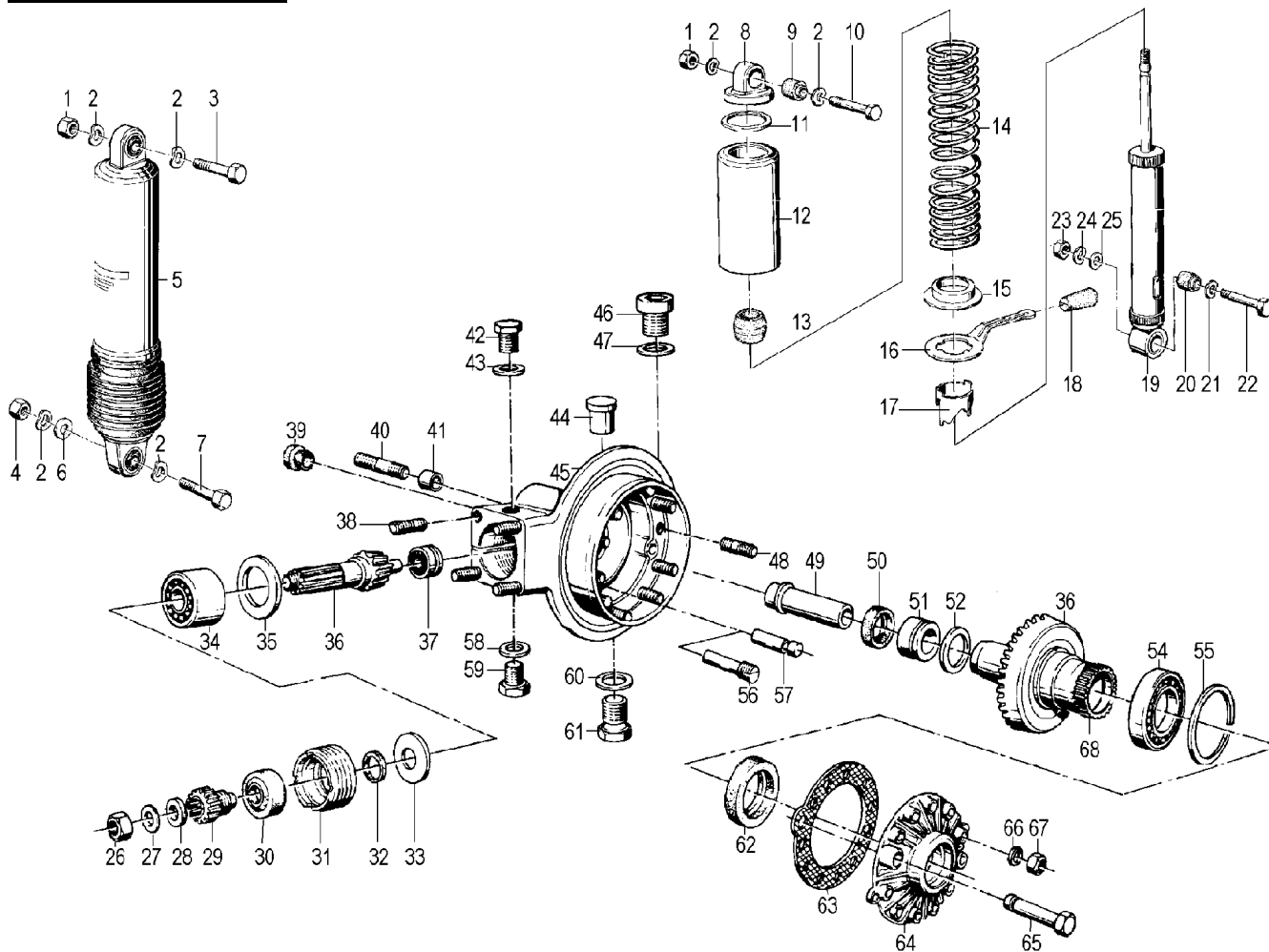


|          |         |   |         |         |
|----------|---------|---|---------|---------|
| 32_081   | 1240792 | Choke lever for BMW R60/7-R100 on handlebar   | 12,52 € | 14,90 € |
| 32_083   | 1240790 | Choke lever index plate for BMW-models from year of manufacture 09/1976   | 1,47 €  | 1,75 €  |
| 32_084   | 1240791 | Choke lever lining disk from BMW R60/7  | 0,84 €  | 1,00 €  |
| 32_085   | 1451749 | Clutch/brake lever bolt for BMW R80-R100, from year of manufacture 09/1990  | 2,94 €  | 3,50 €  |
| 32_092   | 1451796 | Lever bushing for BMW R80GS/R100GS and R80R/R100R, from year of manufacture 09/1990   | 1,26 €  | 1,50 €  |
| 32_092   | 1232662 | Lever bushing for BMW R45-R100 and R60/6-R100RT, from year of manufacture 09/1980 and for BMW R65GS-R100GS  | 3,53 €  | 4,20 €  |
| 32_093   | 1451700 | Clutch lever for BMW R80-R100, from year of manufacture 09/1990   | 36,93 € | 43,95 € |
| 32_093   | 1234848 | Clutch lever for BMW R45, R65 and R60/6-R100, years of manufacture 09/1974-09/1984 and for BMW R65GS-R100GS   | 37,77 € | 44,95 € |
| 32_094   | 1242594 | Choke cable steering/distributor for BMW R45-R100RT from year of manufacture 09/1980 and R65GS-R100PD from 09/1980, R80R-R100R/MYS from 1991, 1 piece | 12,56 € | 14,95 € |
| 32_094   | 1242126 | Throttle cable (grip-distributor) for BMW R65GS-R80ST, from year of manufacture 09/1980 640mm, for flat bars  | 10,00 € | 11,90 € |
| 32_094a  | 1242125 | Throttle cable (grip-distributor) for BMW R45, R65, from year of manufacture 09/1980 and R65GS-R80ST 770mm, for high bars                             | 10,00 € | 11,90 € |
| 32_094a  | 1242593 | Choke cable steering/distributor for BMW R80, R100, RS/CS from year of manufacture 09/1980 and for BMW R65 from year of manufacture 09/1984, 1 piece  | 11,68 € | 13,90 € |
| 32_094b  | 1242127 | Throttle cable (grip-distributor) for BMW R80, R100RT and R100T, years of manufacture 09/1980-09/198  | 16,47 € | 19,60 € |
| 32_094c  | 1242128 | Throttle cable (grip-distributor) for BMW R100/7, R100CS and R100RS, years 09/1980-09/1984 for flat bars  | 13,53 € | 16,10 € |
| 32_095   | 1242014 | Cable distributor 09/80->   | 11,51 € | 13,70 € |
| 32_096   | 01342   | Grommet for throttle cable distributor  | 2,44 €  | 2,90 €  |
| 32_096a  | 2302232 | Throttle cable (distributor-carburator) for BMW R45, R65, R65GS-R80ST, from year 09/1980 short  | 11,68 € | 13,90 € |
| 32_096a  | 1242139 | Choke cable distributor/carburator for BMW-models from year 09/1980, right side for 32mm and 40mm carburators   | 11,68 € | 13,90 € |
| 32_096b  | 1242135 | Throttle cable (distributor-carburator) for BMW R100/7-RT from year 09/1980 and R80 from 09/1984 long   | 8,32 €  | 9,90 €  |
| 32_097a  | 1242138 | Choke cable distributor/carburator for BMW-models from year 09/1980, for 32mm carburator fits for left or right side                                  | 13,36 € | 15,90 € |
| 32_097b  | 1454605 | Choke cable distributor/carburator for BMW-models from year 09/1980, left side, for 32mm carburetors  | 8,32 €  | 9,90 €  |
| 32_098   | 11440   | Nipple adaptor for BMW R26-R69S and for BMW R50/5-R100 on lever   | 5,46 €  | 6,50 €  |
| 32_098   | 30040   | Brake cable bolt WITHOUT thread for BMW R50-R69S and R50/5-R60/6 drum brake, front  | 7,48 €  | 8,90 €  |
| 32_100a  | 1234515 | Brake cable for BMW R50/5-R60/6 for low Euro handlebar  | 8,57 €  | 10,20 € |
| 32_100b  | 34516   | Brake cable for BMW R50/5-R60/6, 15cm longer for high or wide bars  | 11,93 € | 14,20 € |
| 32_100c  | 1234517 | Brake cable for BMW R50/5-R60/6, 30cm longer for very high or very wide bars  | 12,52 € | 14,90 € |
| 32_101a  | 1230041 | Clutch cable for BMW R50/5, R60/5 and R75/5 for low Euro bars   | 7,65 €  | 9,10 €  |
| 32_101b  | 1230042 | Clutch cable for BMW R50/5, R60/5 and R75/5, 15cm longer for high or wide bars  | 8,07 €  | 9,60 €  |
| 32_101c  | 1230044 | Clutch cable for BMW R50/5, R60/5 and R75/5, 30cm longer for very high bars   | 11,68 € | 13,90 € |
| 32_101f  | 1233098 | Clutch cable for BMW R60/6-R100 until year of manufacture 09/1984, 1410mm and for BMW R45/R65, R80 from year of manufacture 1778, for low bars        | 11,72 € | 13,95 € |
| 32_101h  | 1235744 | Clutch cable for BMW R60/6-R100RT and R45-R80 until year of manufacture 1978, long and for BMW R65GS-R100PD, (1520mm), high bars                      | 12,02 € | 14,30 € |
| 32_103   | 36616   | Throttle cable for BMW R100/7, R100RT, R100T, and R100RS, years of manufacture 1976/09/1980 for carburator 94/40/..                                   | 11,64 € | 13,85 € |
| 32_103   | 72355   | Throttle cable for BMW R51/2-R68  | 5,00 €  | 5,95 €  |
| 32_103   | 72357   | Throttle cable for BMW R51/2-R68, 30cm longer for very high bars  | 5,80 €  | 6,90 €  |
| 32_103   | 72348   | Throttle cable for BMW R50-R69S, R50/5-R60/7 and R90S   | 4,96 €  | 5,90 €  |
| 32_103   | 72349   | Throttle cable for BMW R50-R69S, R50/5-R60/7 and R90S, 15cm longer for high or wide bars  | 4,96 €  | 5,90 €  |
| 32_103   | 72350   | Throttle cable for BMW R50-R69S, R50/5-R60/7 and R90S, 30cm longer for very high bars   | 4,96 €  | 5,90 €  |
| 32_103a  | 2311828 | Throttle cable for BMW R100R and R100GS, right side, from year of manufacture 1988  | 19,41 € | 23,10 € |
| 32_103b  | 1236611 | Throttle cable for BMW R50/5, R60/5, R60/6 and R60/7, until year of manufacture 08/1980, 10cm longer OEM Quality                                      | 8,82 €  | 10,50 € |
| 32_103e  | 1236614 | Throttle cable for BMW R75/5-R80/7 and R100, years of manufacture 09/1978-08/1980 1146mm  | 19,41 € | 23,10 € |
| 32_103f  | 0236613 | Throttle cable for BMW R75/5-R80/7, R100 and R45/R65, until year 09/1980, 8cm longer for high or wide bars  | 6,05 €  | 7,20 €  |
| 32_103g  | 236612  | Throttle cable for BMW R75/5-R80/7, R100 and R45, R65, until year 09/1980   | 5,84 €  | 6,95 €  |
| 32_103h  | 236614  | Throttle cable for BMW R75/5-R80/7, R100 and R45, R65, until year 09/1980, 30cm longer for very high bars   | 6,64 €  | 7,90 €  |
| 32_103k  | 1454582 | Throttle cable for BMW R45/R65 and R80, left side, from year 09/1984 and R100RS from year 1986  | 11,64 € | 13,85 € |
| 32_103ka | 1454583 | Throttle cable for BMW R65 and R80, right side, from year 09/1984 and R100RS from year 1986 for low bars  | 13,36 € | 15,90 € |
| 32_103l  | 1454584 | Throttle cable for BMW R65RT, R80RT and R80GS, left side, from 09/1984 and R100RT from 1986 for high bars   | 19,75 € | 23,50 € |
| 32_103l  | 1454585 | Throttle cable for BMW R65RT, R80RT and R80GS, right side, from 09/1984 and R100RT from 1987 for high bars  | 19,75 € | 23,50 € |



|          |         |   |         |         |
|----------|---------|---|---------|---------|
| 32_103ml | 1458090 | Throttle cable for BMW R80R, R80GS and R100GS, left side, from year of manufacture 09/1990  | 14,20 € | 16,90 € |
| 32_103n  | 1458091 | Throttle cable for BMW R80R, R80GS and R100GS, right side, from year of manufacture 09/1990 | 14,20 € | 16,90 € |
| 32_103o  | 2311827 | Throttle cable for BMW R100R and R100GS, left side, from year of manufacture 1988           | 18,40 € | 21,90 € |
| 32_104   | 60178   | Brake cable adjuster for BMW R50-R69S and R50/5-R60/6 drum brake, front                     | 2,69 €  | 3,20 €  |
| 32_105   | 1117638 | Rubber boot clutch/brake cable for BMW R50/5-R100   | 3,78 €  | 4,50 €  |
| 32_106   | 1230038 | Grommet for brake- and clutch cable from BMW R50/5 and up                                   | 3,70 €  | 4,40 €  |
| 32_106b  | 30039   | Grommet clutch cable for BMW R50/5 and up, long   | 4,37 €  | 5,20 €  |
| 32_108   | 33254   | Grommet clutch cable guide for BMW R50/5 and up   | 0,97 €  | 1,15 €  |

**Group 33 Rear axle**



| Picture-No. | Article-No. | Description  | Net      | Gross    |
|-------------|-------------|--|----------|----------|
| 33_000      | 2310904     | Swingarm bolt / rear drive RH 87->   | 10,99 €  | 13,08 €  |
| 33_000      | 2311091     | Needle bearing for rear drive for BMW models from year of manufacture 1987               | 45,80 €  | 54,50 €  |
| 33_000      | 1458097     | Cover cap for swingarm / rear drive from 1987  | 1,64 €   | 1,95 €   |
| 33_000      | 2312459     | Suspension unit for BMW R80 and R100R, Mystic from year of manufacture 1992 Original BMW | 516,81 € | 615,00 € |
| 33_000      | 6000002     | Gasket set rear drive (No.A06), for BMW R50/5-R100 until year of manufacture Sep 1980    | 31,43 €  | 37,40 €  |
| 33_000      | 2310890     | Swing arm bolt / rear drive LH 87->  | 16,62 €  | 19,78 €  |
| 33_000      | 1450095     | Thrust ring pinion wheel, Paralever for BMW Models from year of manufacture 1987         | 4,41 €   | 5,25 €   |
| 33_000      | 1450076     | Threated piece rear drive Paralever 87->   | 4,85 €   | 5,77 €   |
| 33_000      | 1451185     | Seal ring for pinion wheel, Paralever, 87->  | 3,96 €   | 4,71 €   |
| 33_000      | 1451182     | O-ring for rear drive cover for BMW R80GS-R100PD until year of manufacture 1987          | 3,78 €   | 4,50 €   |
| 33_000      | 19209       | Oil control plug M8 x 1, for finned rear drive   | 0,97 €   | 1,15 €   |
| 33_000      | 2301743     | Suspension unit for BMW R65GS until 1992 and R80G/S, ST until 1986 original BMW          | 327,65 € | 389,90 € |
| 33_000      | 1233302     | Gasket ring rear drive for BMW R60/6-R100 and breather 51254788                          | 1,64 €   | 1,95 €   |
| 33_000      | 1457605     | Gasket ring for brake key for BMW R80-R100 from Sep 1989 rear                            | 0,28 €   | 0,33 €   |
| 33_000      | 1237586     | Spring for BMW R45 and R65, rear suspension, reinforced                                  | 34,20 €  | 40,70 €  |
| 33_000      | 1241766     | Shock-absorber R80GS->09/83  | 159,58 € | 189,90 € |
| 33_000      | 1452127     | Suspension unit for BMW R65-R80RT, years of manufacture 1985-1995 Original BMW           | 344,45 € | 409,90 € |



|          |         |  |          |          |
|----------|---------|--|----------|----------|
| 33_000   | 1458322 | Shock-absorber R80GS, R100GS, 87-90  | 210,00 € | 249,90 € |
| 33_000   | 2310508 | Suspension unit for BMW R80GS and R100GS, from year of manufacture 09/1988, black original BMW   | 478,99 € | 570,00 € |
| 33_000   | 6400008 | Suspension unit for BMW R80GS and R100GS, from year of manufacture 09/1988, Wilbers Emu On each drivers weight individually adjustable ! | 436,89 € | 519,90 € |
| 33_000   | 6000045 | Gasket set rear drive (No.A07), for BMW R45-R100 from Sep 1980 until Sep 1984  | 30,45 €  | 36,24 €  |
| 33_003   | 9901169 | Suspension unit locking screw for BMW R50/5-R100RS, upper, rear  | 6,64 €   | 7,90 €   |
| 33_005b  | 1236110 | Suspension unit set for BMW for R50/5-R100 until year of manufacture 09/1984, IKON identical to KONI                                     | 324,03 € | 385,60 € |
| 33_005bb | 091282  | Spring Set (pair) for Ikon for BMW R50/5-R100, rear, extra hard, 9,0mm for sidecar use   | 58,78 €  | 69,95 €  |
| 33_005c  | 1237505 | Suspension unit set for BMW R45 and R65 until year of manufacture 09/1984, IKON  | 315,13 € | 375,00 € |
| 33_005d  | 236110  | Suspension unit for BMW R60/6-R100, reinforced, left side Original BMW   | 273,07 € | 324,95 € |
| 33_005d  | 1235883 | Suspension unit for BMW R60/6-R100RT until year of manufacture 09/1984, left side Original BMW   | 273,07 € | 324,95 € |
| 33_005d  | 1235884 | Suspension unit for BMW R60/6-R100RT until year of manufacture 09/1984, right side original BMW  | 273,07 € | 324,95 € |
| 33_005d  | 1231895 | Suspension unit for BMW R50/5, R60/5 and R75/5, reinforced, left side Original BMW   | 361,26 € | 429,90 € |
| 33_005d  | 1231894 | Suspension unit for BMW R50/5, R60/5 and R75/5, reinforced, right side Original BMW  | 361,26 € | 429,90 € |
| 33_005e  | 236111  | Suspension unit for BMW R60/6-R100, reinforced, right side, rear original BMW  | 273,07 € | 324,95 € |
| 33_005u  | 1240811 | Rubber boot viveau-shocks for BMW R60/6-R90S, R80 and R100   | 35,25 €  | 41,95 €  |
| 33_007   | 14337   | Suspension unit locking screw for BMW R26 and R27, rear, left side stainless steel   | 6,89 €   | 8,20 €   |
| 33_007   | 1230249 | Suspension unit locking screw for BMW R50/5-R100 until year of manufacture 09/1984 stainless steel                                       | 4,20 €   | 5,00 €   |
| 33_008   | 1230279 | Suspension unit upper eye for BMW R50/5-R75/5, rear  | 55,38 €  | 65,90 €  |
| 33_008a  | 2301595 | Suspension unit upper eye for BMW R60/6-R100 until year of manufacture 1984, rear  | 5,29 €   | 6,30 €   |
| 33_009   | 230276  | Silent bloc shock upper R50/5-R100 ->84  | 4,62 €   | 5,50 €   |
| 33_010   | 9901169 | Suspension unit locking screw for BMW R50/5-R100RS, upper, rear  | 6,64 €   | 7,90 €   |
| 33_011   | 1237288 | Suspension unit flat washer for BMW R50/5-R100 until year of manufacture 1984  | 2,23 €   | 2,65 €   |
| 33_012a  | 1230277 | Shock cover for BMW R50/5-R75/5 until year of manufacture 08/1973, rear aluminium  | 42,77 €  | 50,90 €  |
| 33_012b  | 1233084 | Shock cover for BMW R60/6-R90S, rear aluminium   | 72,44 €  | 86,20 €  |
| 33_013   | 1230280 | Rear shock stop rubber R50/5-R100 ->84   | 1,18 €   | 1,40 €   |
| 33_014a  | 1231893 | Spring for BMW R50/5-R100, reinforced for Boge   | 29,33 €  | 34,90 €  |
| 33_015   | 1230282 | Suspension unit rear shock sping guide ring for BMW R50/5 until year of manufacture 1984, lower  | 3,32 €   | 3,95 €   |
| 33_017a  | 1230272 | Suspension unit adjusting sleeve for BMW R50/5-R100 until year of manufacture 1984, right side   | 30,59 €  | 36,40 €  |
| 33_019   | 1240646 | Shock absorber cartridge R50/5-R100, Boge  | 134,37 € | 159,90 € |
| 33_019a  | 1240647 | Rear shock absorber R45/65 1978-1985   | 108,32 € | 128,90 € |
| 33_019b  | 1237289 | Rear shock absorber R45/65 "Heavy Duty" 1978-1985  | 140,34 € | 167,00 € |
| 33_020   | 30258   | Shock absorber silent bloc R50/5-R100 ->84, lower  | 10,88 €  | 12,95 €  |
| 33_022   | 14337   | Suspension unit locking screw for BMW R26 and R27, rear, left side stainless steel   | 6,89 €   | 8,20 €   |
| 33_022   | 1230249 | Suspension unit locking screw for BMW R50/5-R100 until year of manufacture 09/1984 stainless steel                                       | 4,20 €   | 5,00 €   |
| 33_027   | 30256   | Lock plate transmission input nut R50/5-R75/5  | 3,07 €   | 3,65 €   |
| 33_028   | 31093   | Washer coupling cardan shaft for BMW R60/6-R100  | 0,80 €   | 0,95 €   |
| 33_028a  | 30255   | Drive coupling pinion wheel for BMW R50/5, R60/5 and R75/5   | 46,89 €  | 55,80 €  |
| 33_029b  | 33303   | Drive coupling pinion wheel for BMW R60/6-R100   | 30,17 €  | 35,90 €  |
| 33_030   | 30356   | Seal-ring transmission input R50/5-R100  | 9,16 €   | 10,90 €  |
| 33_031   | 1230355 | Rear drive threaded ring R50/5-R100, R45/65  | 7,23 €   | 8,60 €   |
| 33_032   | 1230353 | Distance washer for connector on pinion wheel for BMW models from R50/5 and up   | 3,89 €   | 4,63 €   |
| 33_033   | 1230525 | Washer transmission cam R50/5->  | 0,87 €   | 1,04 €   |
| 33_034   | 1230247 | Bearing pinion shaft for BMW R50/5 and up, front plastic cage  | 50,34 €  | 59,90 €  |
| 33_035a  | 30737   | Distance ring pinion wheel for BMW R50/5-R75/5, 2,5mm  | 2,23 €   | 2,65 €   |
| 33_035b  | 1230717 | Distance ring pinion wheel for BMW R50/5-R75/5, 1,5mm  | 2,23 €   | 2,65 €   |
| 33_035c  | 30719   | Distance ring pinion wheel for BMW R50/5-R75/5, 1,6mm  | 2,23 €   | 2,65 €   |
| 33_035d  | 30721   | Distance ring pinion wheel for BMW R50/5-R75/5, 1,7mm  | 2,23 €   | 2,65 €   |
| 33_035e  | 30723   | Distance ring pinion wheel for BMW R50/5-R75/5, 1,8mm  | 2,23 €   | 2,65 €   |
| 33_035f  | 30725   | Distance ring pinion wheel for BMW R50/5-R75/5, 1,9mm  | 2,23 €   | 2,65 €   |
| 33_035g  | 30727   | Distance ring pinion wheel for BMW R50/5-R75/5, 2,0mm  | 2,23 €   | 2,65 €   |
| 33_035h  | 30729   | Distance ring pinion wheel for BMW R50/5-R75/5, 2,1mm  | 2,23 €   | 2,65 €   |
| 33_035i  | 30731   | Distance ring pinion wheel for BMW R50/5-R75/5, 2,2mm  | 2,23 €   | 2,65 €   |
| 33_035j  | 30733   | Distance ring pinion wheel for BMW R50/5-R75/5, 2,3mm  | 2,23 €   | 2,65 €   |
| 33_035k  | 30735   | Distance ring pinion wheel for BMW R50/5-R75/5, 2,4mm  | 2,23 €   | 2,65 €   |
| 33_036   | 1233288 | Crown + pinion wheel set 37:11 R80, R80G/S   | 310,84 € | 369,90 € |
| 33_036a  | 33287   | Crown + pinion wheel set 32:10 R75/5-80/7  | 302,48 € | 359,95 € |

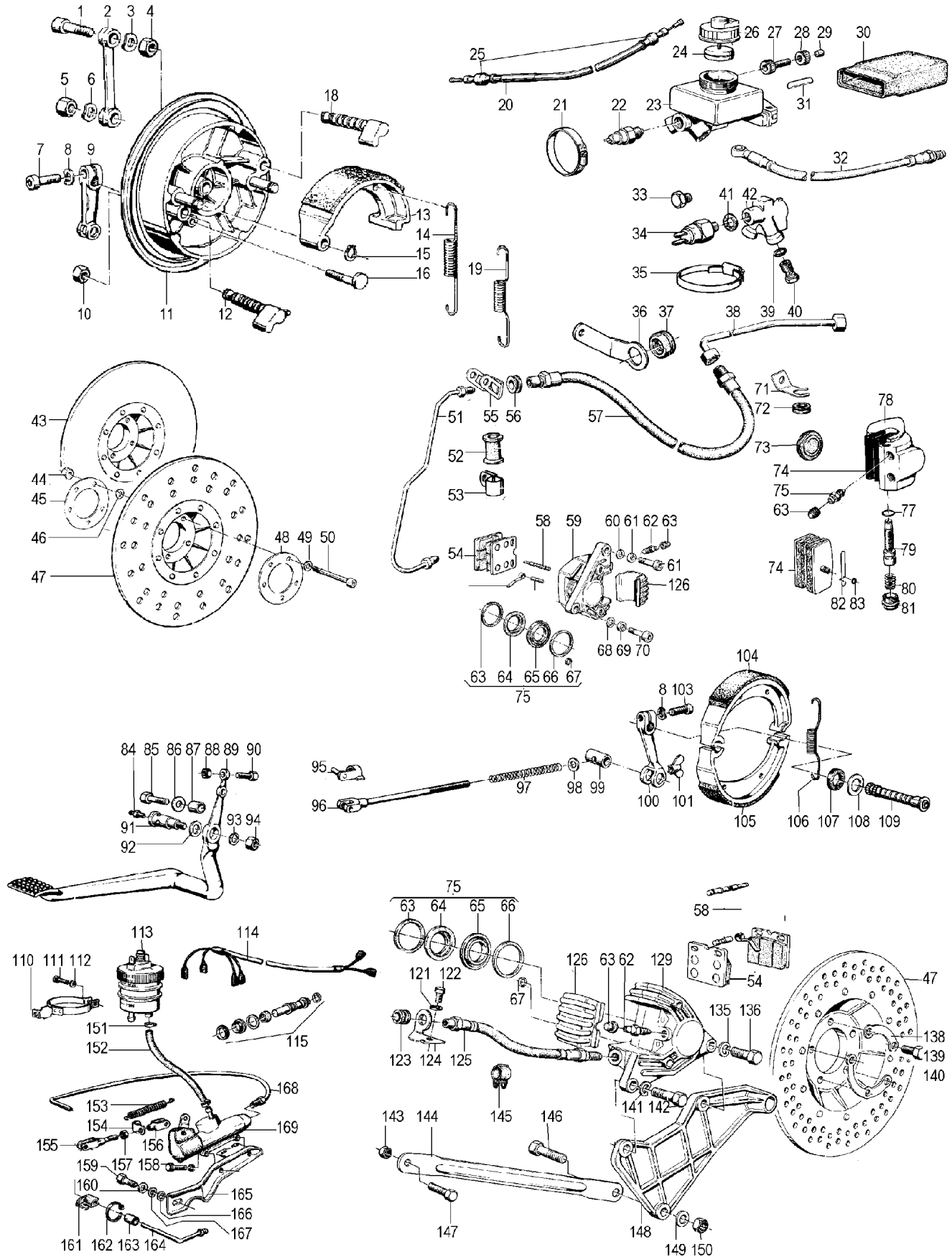


|          |         |   |          |          |
|----------|---------|---|----------|----------|
| 33_036c  | 33286   | Crown + pinion wheel set 34:11, R90/6, R100/7   | 315,13 € | 375,00 € |
| 33_036e  | 1233289 | Crown + pinion wheel set 32:9, (3,56) R50/5, R60/7, R60TIC  | 315,13 € | 375,00 € |
| 33_037a  | 30244   | Needle bearing for pinion wheel for BMW R50/5-R100 until year of manufacture 09/1980  | 29,33 €  | 34,90 €  |
| 33_037b  | 36995   | Needle bearing for pinion wheel for BMW R45-R100 from year of manufacture 09/1980   | 26,81 €  | 31,90 €  |
| 33_038   | 1241928 | Dowel pin rear drive/swing arm R50/5-R100 ->84  | 2,10 €   | 2,50 €   |
| 33_040   | 9908177 | Dowel pin rear drive/shock absorber R50/5-R100 ->08/83  | 2,69 €   | 3,20 €   |
| 33_040   | 1452062 | Bolt gear/shock for BMW R65-R80 from year of manufacture 1985   | 31,85 €  | 37,90 €  |
| 33_042   | 19225   | Oil drain screw, M12 x 1,5  | 1,93 €   | 2,30 €   |
| 33_043   | 63130   | Gasket ring, 12x16x1,5 - aluminium  | 0,25 €   | 0,30 €   |
| 33_044a  | 1232581 | Breather rear drive R50/5-R100 ->09/80  | 21,68 €  | 25,80 €  |
| 33_044b  | 1238838 | Engine breather screw, transmission for BMW-models from year of manufacture 09/1980   | 19,33 €  | 23,00 €  |
| 33_045a  | 33281   | Rear drive for BMW R75/5, R75/6, R75/7, R80/7, 32:10 overhauled   | 689,07 € | 819,99 € |
| 33_045b  | 1238660 | Rear drive for BMW R45 and R65, 34:8 used   | 230,08 € | 273,80 € |
| 33_045c  | 1241093 | Rear drive for BMW R50/5, R60/6, R60/7, 32:9  | 478,15 € | 569,00 € |
| 33_046   | 19124   | Oil drain screw, M18, hexagon   | 2,94 €   | 3,50 €   |
| 33_050   | 04337   | Seal-ring, rear drive, R50-R69S, R50/5-R100   | 3,61 €   | 4,30 €   |
| 33_051a  | 1242738 | Needle bearing for crown wheel for BMW R50/5 and up   | 76,89 €  | 91,50 €  |
| 33_051b  | 42367   | Needle bearing for crown wheel for BMW R80, ST, G/S   | 29,33 €  | 34,90 €  |
| 33_051c  | 32005   | Roller bearing tapered for BMW R65-R80RT, years of manufacture 1985-1995 and for BMW R100 from year of manufacture 1987, inner, small | 13,36 €  | 15,90 €  |
| 33_052a  | 38931   | Thrust ring crown wheel for BMW R50-R69S and R50/5-R100, 1,6mm  | 19,24 €  | 22,90 €  |
| 33_052a  | 1242461 | Thrust ring crown wheel for BMW R65GS, R80G/S and R80ST, 2,7mm  | 3,53 €   | 4,20 €   |
| 33_052b  | 38932   | Thrust ring crown wheel for BMW R50-R69S and R50/5-R100, 1,6mm  | 19,24 €  | 22,90 €  |
| 33_052b  | 1242462 | Thrust ring crown wheel for BMW R65GS, R80G/S and R80ST, 2,8mm  | 3,53 €   | 4,20 €   |
| 33_052c  | 1242463 | Thrust ring crown wheel for BMW R65GS, R80G/S and R80ST, 2,9mm  | 3,53 €   | 4,20 €   |
| 33_052c  | 32769   | Thrust ring crown wheel for BMW R50-R69S and R50/5-R100, 1,7mm  | 19,24 €  | 22,90 €  |
| 33_052d  | 30527   | Thrust ring crown wheel for BMW R50-R69S and R50/5-R100, 1,8mm  | 19,24 €  | 22,90 €  |
| 33_052d  | 1242464 | Thrust ring crown wheel for BMW R65GS, R80G/S and R80ST, 3,0mm  | 3,53 €   | 4,20 €   |
| 33_052e  | 1242465 | Thrust ring crown wheel for BMW R65GS, R80G/S and R80ST, 3,1mm  | 3,53 €   | 4,20 €   |
| 33_052e  | 31238   | Thrust ring crown wheel for BMW R50-R69S and R50/5-R100, 1,9mm  | 19,24 €  | 22,90 €  |
| 33_052f  | 1242466 | Thrust ring crown wheel for BMW R65GS, R80G/S and R80ST, 3,2mm  | 3,53 €   | 4,20 €   |
| 33_052f  | 30528   | Thrust ring crown wheel for BMW R50-R69S and R50/5-R100, 2,0mm  | 19,24 €  | 22,90 €  |
| 33_052g  | 1242467 | Thrust ring crown wheel for BMW R65GS, R80G/S and R80ST, 3,3mm  | 3,53 €   | 4,20 €   |
| 33_052g  | 31239   | Thrust ring crown wheel for BMW R50-R69S and R50/5-R100, 2,1mm  | 19,24 €  | 22,90 €  |
| 33_052h  | 1242468 | Thrust ring crown wheel for BMW R65GS, R80G/S and R80ST, 3,4mm  | 3,53 €   | 4,20 €   |
| 33_052h  | 30529   | Thrust ring crown wheel for BMW R50-R69S and R50/5-R100, 2,3mm  | 19,24 €  | 22,90 €  |
| 33_052i  | 30530   | Thrust ring crown wheel for BMW R50-R69S and R50/5-R100, 2,2mm  | 19,83 €  | 23,60 €  |
| 33_052j  | 30531   | Thrust ring crown wheel for BMW R50-R69S and R50/5-R100, 2,4mm  | 20,97 €  | 24,95 €  |
| 33_052k  | 30532   | Thrust ring crown wheel for BMW R50-R69S and R50/5-R100, 2,5mm  | 19,24 €  | 22,90 €  |
| 33_054   | 19064   | Bearing crown wheel for BMW R50-R69S and R50-R100   | 33,53 €  | 39,90 €  |
| 33_054b  | 42210   | Grooved ball bearing for crown wheel 1980   | 44,45 €  | 52,90 €  |
| 33_055a  | 1230535 | Distance washer crown wheel, 2-arm swing, 0,180mm   | 9,75 €   | 11,60 €  |
| 33_055d  | 1230538 | Distance washer crown wheel, 2-arm swing, 0,500mm   | 8,36 €   | 9,95 €   |
| 33_055e  | 1230539 | Distance washer crown wheel, 2-arm swing, 0,630mm   | 8,36 €   | 9,95 €   |
| 33_055ee | 1230540 | Distance washer crown wheel, 2-arm swing, 0,750mm   | 8,36 €   | 9,95 €   |
| 33_055ef | 1230541 | Distance washer crown wheel, 2-arm swing, 0,880mm   | 8,36 €   | 9,95 €   |
| 33_055f  | 1241703 | Distance washer crown wheel, 1-arm swing, 0,180mm   | 2,27 €   | 2,70 €   |
| 33_055g  | 1241704 | Distance washer crown wheel, 1-arm swing, 0,280mm   | 2,27 €   | 2,70 €   |
| 33_055i  | 2310549 | Distance washer crown wheel, 1-arm swing, 0,500mm   | 6,09 €   | 7,25 €   |
| 33_056   | 2301699 | Bushing for brake key for rear drive cover article number: 1241940  | 9,16 €   | 10,90 €  |
| 33_058   | 63130   | Gasket ring, 12x16x1,5 - aluminium  | 0,25 €   | 0,30 €   |
| 33_059   | 19225   | Oil drain screw, M12 x 1,5  | 1,93 €   | 2,30 €   |
| 33_060   | 2027    | Gasket ring oil drain screw, M14x20x2   | 0,67 €   | 0,80 €   |
| 33_061a  | 07104   | Oil filler screw, M14 x 1,5   | 2,02 €   | 2,40 €   |
| 33_061b  | 07163   | Oil drain screw, M14, magnetic zincked  | 3,19 €   | 3,80 €   |
| 33_062a  | 3004343 | Seal-ring, crown wheel, /5-R100   | 15,88 €  | 18,90 €  |
| 33_062b  | 41619   | Seal-ring, transmission, mono-swingarm  | 20,17 €  | 24,00 €  |
| 33_063a  | 2311096 | Gasket for rear drive for year of manufacture Sep 1969 bis Sep 1980   | 4,37 €   | 5,20 €   |
| 33_063b  | 2311097 | Gasket for rear drive from year of manufacture Sep 1980   | 3,19 €   | 3,80 €   |
| 33_065a  | 9932881 | Lock ring 10,0  | 0,42 €   | 0,50 €   |
| 33_068a  | 0001415 | Drive coupling for BMW R50/5, 60/5 and R75/5 to be weld into the crown wheel  | 109,16 € | 129,90 € |
| 33_068a  | 0001416 | Drive coupling for BMW R60/6 and up to be weld into the crown wheel   | 109,16 € | 129,90 € |
| 33_068c  | 30810   | Drive coupling repair (rear drive) for BMW R50/5-R100 delivered dissected!!!  | 159,58 € | 189,90 € |





**Group 34 Brake**



| <u>Picture-No.</u> | <u>Article-No.</u> | <u>Description</u>   | <u>Net</u> | <u>Gross</u> |
|--------------------|--------------------|--|------------|--------------|
| 34_000             | 2312695            | Brake hose rubber grommet R80/R100R  | 0,99 €     | 1,18 €       |
| 34_000             | 41565              | Brake hose steel covered for BMW RT, T from year of manufacture 09/1980, front upper | 41,93 €    | 49,90 €      |
| 34_000             | 41563              | Steel coated front upper brake hose R100CS 09/80->, Lucas                            | 41,93 €    | 49,90 €      |



|          |         |  |          |          |
|----------|---------|--|----------|----------|
| 34_000   | 1242759 | Brake hose for BMW R100S, RS, RT, years of manufacture 1976-1984, rear 258mm   | 26,64 €  | 31,70 €  |
| 34_000   | 2310786 | Brake cylinder set for BMW R80GS-R100PD years of manufacture 1991-1995 Ø:13mm  | 138,61 € | 164,95 € |
| 34_000   | 2310196 | Rubber plug for front fender R80/100R  | 1,01 €   | 1,20 €   |
| 34_000   | 9407510 | Brake fluid 1/4 Liter, DOT 4   | 4,12 €   | 4,90 €   |
| 34_000   | 460358  | Brake disc lock for 5mm holes  | 11,68 €  | 13,90 €  |
| 34_000   | 2302369 | Brake cylinder set for BMW R45 and R65, R65GS-R80ST from year of manufacture 09/1981 Ø=12mm  | 137,73 € | 163,90 € |
| 34_000   | 1238062 | Clamp ring, front brake for BMW R45-R65LS, ATE   | 1,60 €   | 1,90 €   |
| 34_000   | 1238061 | Boot front brake ATE for BMW R45-R65LS   | 6,68 €   | 7,95 €   |
| 34_001   | 98211   | Screw M8x65, allen-head  | 0,67 €   | 0,80 €   |
| 34_002   | 2060338 | Stabiliser for brake plate for BMW R50/5-R60/7 used  | 24,37 €  | 29,00 €  |
| 34_007   | 98158   | Screw M6x20, allen-head  | 0,25 €   | 0,30 €   |
| 34_009   | 1230011 | Brake lever for BMW R50/5, R60/5, R60/6 and R60/7, front upper and lower used  | 15,97 €  | 19,00 €  |
| 34_011a  | 1230024 | Brake anchor plate for BMW R50/5-R60/6 until year of manufacture 09/1974, WITHOUT attachment parts used  | 100,84 € | 120,00 € |
| 34_011b  | 1233681 | Brake anchor plate for BMW R50/5-R60/6 from year of manufacture 09/1974, WITHOUT attachment parts only for 17mm wheel axle !                     | 50,34 €  | 59,90 €  |
| 34_012   | 1230016 | Brake spanner for BMW R50/5-R60/6, front lower   | 61,30 €  | 72,95 €  |
| 34_013   | 2311079 | Brake-shoe Set for BMW R50/5-R60/6, front, EBC (Set = 2 pc. for 1 front wheel)   | 46,72 €  | 55,60 €  |
| 34_013a  | 30005   | Brake-shoe for BMW R50/5-R60/6, front original BMW   | 42,27 €  | 50,30 €  |
| 34_014   | 1230020 | Brake-shoe spring for BMW R50/5-R60/7, front upper and R51/3-R69S  | 2,69 €   | 3,20 €   |
| 34_015   | 34066   | Lock ring brake-pads /5  | 0,21 €   | 0,25 €   |
| 34_016   | 1230010 | Eccentric bolt front brake for BMW R50/5-R60/7   | 29,33 €  | 34,90 €  |
| 34_018   | 1230018 | Brake spanner for BMW R50/5-R60/6, front upper   | 24,80 €  | 29,51 €  |
| 34_019   | 2060237 | Brake-shoe spring for BMW R50/5-R60/7, front lower   | 2,73 €   | 3,25 €   |
| 34_022   | 1351662 | Brake light switch, years of manufacture 09/1969-09/1974, front, with grommet and starter switch for BMW R60/6 until year of manufacture 09/1974 | 51,68 €  | 61,50 €  |
| 34_023   | 1234381 | Brake cylinder for BMW R75/6-R100RT below the fuel tank until year of manufacture 09/1980 Ø=14mm, "single disk"                                  | 285,63 € | 339,90 € |
| 34_023   | 1234379 | Brake cylinder for BMW R75/6-R100RT below the fuel tank until year of manufacture 09/1980 Ø=17mm, "double disk"                                  | 284,87 € | 339,00 € |
| 34_023a  | 1234926 | Brake cylinder repair kit for BMW-Models from from 09/1975-09/1980 14mm, 1 brake disc, (below tank)  | 63,78 €  | 75,90 €  |
| 34_023b  | 1234924 | Brake cylinder Repair Kit for BMW R75/6-R90/6 from year of manufacture 09/1975 14mm, (below tank)  | 64,54 €  | 76,80 €  |
| 34_023bb | 0004924 | O-ring set brake cylinder and tank for BMW models until year of manufacture 09/1975 and for BMW R75/6-R90/6 until year of manufacture 09/1975    | 4,12 €   | 4,90 €   |
| 34_023c  | 1234925 | Brake cylinder Repair Kit for R90S until year of manufacture 08/1975 16mm (below tank)   | 52,86 €  | 62,90 €  |
| 34_023d  | 1234927 | Brake cylinder Repair Kit for BMW R90S from year of manufacture 09/1975 17mm, (below tank)   | 52,44 €  | 62,40 €  |
| 34_023e  | 1234470 | Brake fluid container, under fuel tank for BMW-Models until year of manufacture 09/1980  | 57,06 €  | 67,90 €  |
| 34_023f  | 1242547 | Brake fluid container boot & washer for BMW R80/7-R100 from year of manufacture 09/1976 and for BMW R45 and R65 from year of manufacture 09/1980 | 8,99 €   | 10,70 €  |
| 34_025a  | 1234400 | Brake cable for BMW R75/6-R90S until year of manufacture 08/1975, Ø:6mm for standard bars  | 14,71 €  | 17,50 €  |
| 34_025b  | 1234857 | Brake cable for BMW R75/6 from year of manufacture 09/1957, Ø:7mm for low bars, disk brake   | 19,83 €  | 23,60 €  |
| 34_025c  | 1235809 | Brake cable for BMW R75/6-R100T from year of manufacture 09/1975, Ø:7mm for high bars, disk brake  | 19,75 €  | 23,50 €  |
| 34_030   | 1233559 | Dust cap f. brake cylinder for BMW R75/6-R100 below tank   | 11,68 €  | 13,90 €  |
| 34_032a  | 1239825 | Brake hose for BMW R45 and R65, years of manufacture 1978-09/1981, upper, short  | 18,40 €  | 21,90 €  |
| 34_032b  | 1239827 | Brake hose for BMW R45 and R65, years of manufacture 09/1978-09/1981, upper, long  | 28,74 €  | 34,20 €  |
| 34_032c  | 1237236 | Brake pipe for BMW R45 and R65, upper  | 8,32 €   | 9,90 €   |
| 34_032d  | 1238218 | Brake pipe for BMW R45T, upper   | 3,83 €   | 4,56 €   |
| 34_032e  | 1242904 | Brake hose for BMW R45 and R65, from year of manufacture 09/1981, upper, long  | 28,88 €  | 34,37 €  |
| 34_032f  | 1241565 | Brake hose for BMW R65, R80, R100RT, front, upper and RT from year of manufacture 09/1980  | 33,53 €  | 39,90 €  |
| 34_034   | 1244334 | Brake light switch, years of manufacture 1974-1980 - junction underneath tank and for BMW 45 and R65 until year of manufacture 09/1984           | 27,48 €  | 32,70 €  |
| 34_036a  | 1233127 | Brake hose holder for BMW R75/6-R90S, upper REMNANTS   | 4,96 €   | 5,90 €   |
| 34_036b  | 1234628 | Brake hose holder for BMW R75/7-R100, upper  | 2,48 €   | 2,95 €   |
| 34_036c  | 1241561 | Brake hose holder for BMW R80-R100, lower left   | 6,39 €   | 7,60 €   |
| 34_036d  | 1241562 | Brake hose holder for BMW R80-R100, lower right  | 10,84 €  | 12,90 €  |
| 34_037   | 34629   | Grommet brake-hose, upper, /6->  | 4,12 €   | 4,90 €   |
| 34_037   | 1233159 | Grommet front brake-hose /6->  | 1,64 €   | 1,95 €   |
| 34_040a  | 1242205 | Hollow bolt for brake hose, M10x1, for BMW R45-R100 from year of manufacture 09/1981 original BMW  | 4,12 €   | 4,90 €   |
| 34_040b  | 42206   | Hollow bolt for brake hose, M10x1 aluminum   | 5,80 €   | 6,90 €   |



|         |         |  |          |          |
|---------|---------|--|----------|----------|
| 34_040c | 42205   | Double hollow screw for brake hose, M10x1 aluminum, hard coal  | 6,30 €   | 7,50 €   |
| 34_042  | 1239831 | Brake hose distributor for BMW from year of manufacture 09/1981, ATE   | 29,37 €  | 34,95 €  |
| 34_042b | 1241568 | Brake distributor for BMW R80/7 and R100/7 from year of manufacture 09/1980  | 31,68 €  | 37,70 €  |
| 34_042C | 1241567 | Brake hose distributor for BMW R100RS from year of manufacture 09/1980<br>4 connections  | 31,68 €  | 37,70 €  |
| 34_045  | 1232417 | Brake disc washer, 5-hole, from year of manufacture 09/1973-09/1980  | 2,69 €   | 3,20 €   |
| 34_047a | 1236566 | Brembo-Brake disc for BMW-Models years of manufacture 09/1973-09/1984<br>and R65LS, front and for BMW R100S/CS/RS/RT, rear   | 167,98 € | 199,90 € |
| 34_047b | 2310143 | Brake disc for BMW R80GS and R100GS from year of manufacture 09/1987<br>and for BMW R65-R80RT, years of manufacture 06/1988-08/1990  | 203,36 € | 242,00 € |
| 34_047c | 1454612 | Brake disc for BMW R65-R100, years of manufacture 09/1984-08/1988 for double<br>disc brake   | 167,98 € | 199,90 € |
| 34_047d | 1236005 | Brembo-Brake disc for BMW R45 and R65 until year of manufacture 09/1980 and<br>for BMW R65GS-R80ST, R75/6-R100 with narrow wheel hub from year of<br>manufacture 09/1980     | 193,19 € | 229,90 € |
| 34_047e | 1452174 | Brake disc for BMW R65-R80RT, years of manufacture 09/1984-06/1988   | 264,66 € | 314,95 € |
| 34_047f | 1457470 | Brembo-Brake caliper for BMW R100 from year of manufacture 1987, R65-R80RT<br>from year 09/1984 and K75/K100 until year of manufacture 09/1988                               | 315,04 € | 374,90 € |
| 34_050  | 18828   | Screw M8x75, allen-head  | 1,26 €   | 1,50 €   |
| 34_051a | 1232405 | Brake pipe for BMW-Models until year of manufacture 08/1980, lower left-side   | 15,42 €  | 18,35 €  |
| 34_051b | 1232406 | Brake pipe for BMW-Models until year of manufacture 08/1980, lower right-side  | 15,42 €  | 18,35 €  |
| 34_051c | 1242270 | Brake pipe for BMW R65GS and R80G/S  | 10,50 €  | 12,50 €  |
| 34_054a | 2301360 | Brake pad set for BMW R45-R100 from 1981, R65-R100RT years of manufacture<br>09/1984-08/1988 and R100S, RS, RT, rear (Brembo)  | 24,33 €  | 28,95 €  |
| 34_054b | 2310983 | Brake pad set for BMW R80R and R100R and K-Models from 1990  | 24,33 €  | 28,95 €  |
| 34_054c | 2314546 | Brake pad set for BMW R65-R100RT from 08/1988-1995   | 25,13 €  | 29,90 €  |
| 34_054d | 2314545 | Brake pad set for BMW R65-R80RT from year of manufacture 09/1984-08/1989 and<br>R100RS, RT from year of manufacture 09/1987, R80/100GS from year of<br>manufacture 1987-1996 | 26,47 €  | 31,50 €  |
| 34_055  | 1233155 | Brake hose holder for BMW R75/6-R90S, lower  | 14,03 €  | 16,70 €  |
| 34_055b | 1237256 | Brake hose holder for BMW R45 and R65  | 14,20 €  | 16,90 €  |
| 34_056b | 1236462 | Grommet brake-hose, lower, R 45/65, 80GS also be used for cable management<br>R24-R69S   | 2,44 €   | 2,90 €   |
| 34_057  | 34601   | Brake hose steel covered for BMW R65LS, year of manufacture 09/1981-09/1984<br>and BMW R45 and R65 with "double brake disc", Set three-pieces                                | 117,56 € | 139,90 € |
| 34_057a | 1234699 | Brake hose for BMW R75/6-R100 until year of manufacture 09/1980 ATE hinged<br>brake caliper front  | 69,41 €  | 82,60 €  |
| 34_057b | 34600   | Brake hose steel coated for BMW R45 and R65, years of manufacture<br>1978-09/1981 TRW with certificate, 2 pieces   | 93,19 €  | 110,90 € |
| 34_057b | 1239826 | Brake hose for BMW R45 and R65, years of manufacture 10/1978-09/1984, lower  | 50,34 €  | 59,90 €  |
| 34_057c | 1242106 | Brake hose steel covered for BMW R80, R100G/S, ST, PD, years of manufacture<br>1981-1987 with ABE  | 53,70 €  | 63,90 €  |
| 34_057c | 1457798 | Brake hose steel covered for BMW R80 and R100GS, years of manufacture<br>1987-1990 and BMW R65-R80RT from year of manufacture 06/1988, with ABE                              | 48,70 €  | 57,95 €  |
| 34_057d | 2312692 | Brake hose steel covered for BMW R80 and R100R with ABE  | 51,68 €  | 61,50 €  |
| 34_057e | 98882   | Steel coated brake hose for BMW R75/6-R100/7, for conversion brake cylinder on<br>handle bar for single disc brakes in connenction with hollow screw                         | 56,01 €  | 66,65 €  |
| 34_057e | 0098882 | Steel coated brake hose for BMW R75/6-R100/7, for conversion brake cylinder on<br>handle bar for double disc brakes in connenction with banjo bolt                           | 96,60 €  | 114,95 € |
| 34_057f | 34700   | Brake hose Steel covered for BMW R75/6-R100 until year of manufacture 09/1980<br>Set 2-pieces with ABE for "double brake disc"   | 96,60 €  | 114,95 € |
| 34_057g | 1235736 | Brake hose for BMW RS + RT-Models until year of manufacture 1995, front, lower   | 39,41 €  | 46,90 €  |
| 34_057h | 11686   | Brake hose steel covered for BMW R80GS, R100 Basic, PD until year of<br>manufacture 08/1990 with TÜV-certificate   | 53,70 €  | 63,90 €  |
| 34_057i | 1457909 | Brake hose for BMW RT-Modells from year of manufacture 11/1986, upper, long  | 31,68 €  | 37,70 €  |
| 34_057j | 0034680 | Brake hose steel covered for BMW R80, R100, CS, years of manufacture<br>09/1981-09/1984 Set 3-pieces with ABE  | 125,97 € | 149,90 € |
| 34_057k | 0035736 | Brake hose steel covered for BMW R80 and R100RT, years of manufacture<br>10/1980-09/1984 set for dual disk with ABE  | 116,38 € | 138,49 € |
| 34_057L | 0034681 | Brake hose steel covered for BMW R100RS, years of manufacture<br>10/1980-09/1980 with ABE, three pieces  | 117,64 € | 139,99 € |
| 34_057m | 38171   | Brake hose steel covered for BMW R65 and R80 from year of manufacture<br>1985 Single disk  | 54,54 €  | 64,90 €  |
| 34_057n | 91277   | Brake hose steel covered for BMW R65RT from year of manufacture 1985,<br>2-pieces handlebar to slave cylinder. For "two" brake disc.   | 93,11 €  | 110,80 € |
| 34_058  | 1238059 | Brake pad mounting kit for all Brembo-brake caliper until year of manufacture<br>09/1984 and R80GS until year of manufacture 1992  | 12,27 €  | 14,60 €  |
| 34_058b | 1238066 | Brake pad pin for BMW R45 and R65, ATE   | 3,28 €   | 3,90 €   |
| 34_058c | 1238065 | Brake pad spring for BMW R45 and R65, ATE  | 6,68 €   | 7,95 €   |
| 34_059c | 1450755 | Brembo-Brake caliper for BMW R100 from year of manufacture 1987, right side +<br>refitting 2nd disk für BMW R65-R80RT from year of manufacture 09/1984                       | 315,04 € | 374,90 € |
| 34_059d | 1238069 | Brembo-Brake caliper for BMW R45 and R65 years of manufacture<br>09/1981-09/1984, left side  | 294,03 € | 349,90 € |
| 34_059e | 1238070 | Brembo-Brake caliper for BMW R65LS years of manufacture 09/1980-09/1984, right<br>side + refitting 2nd disc for BMW R45 and R65 until year of manufacture 09/1984            | 234,37 € | 278,90 € |
| 34_062a | 1233124 | Screw for brake breather ATE   | 6,30 €   | 7,50 €   |



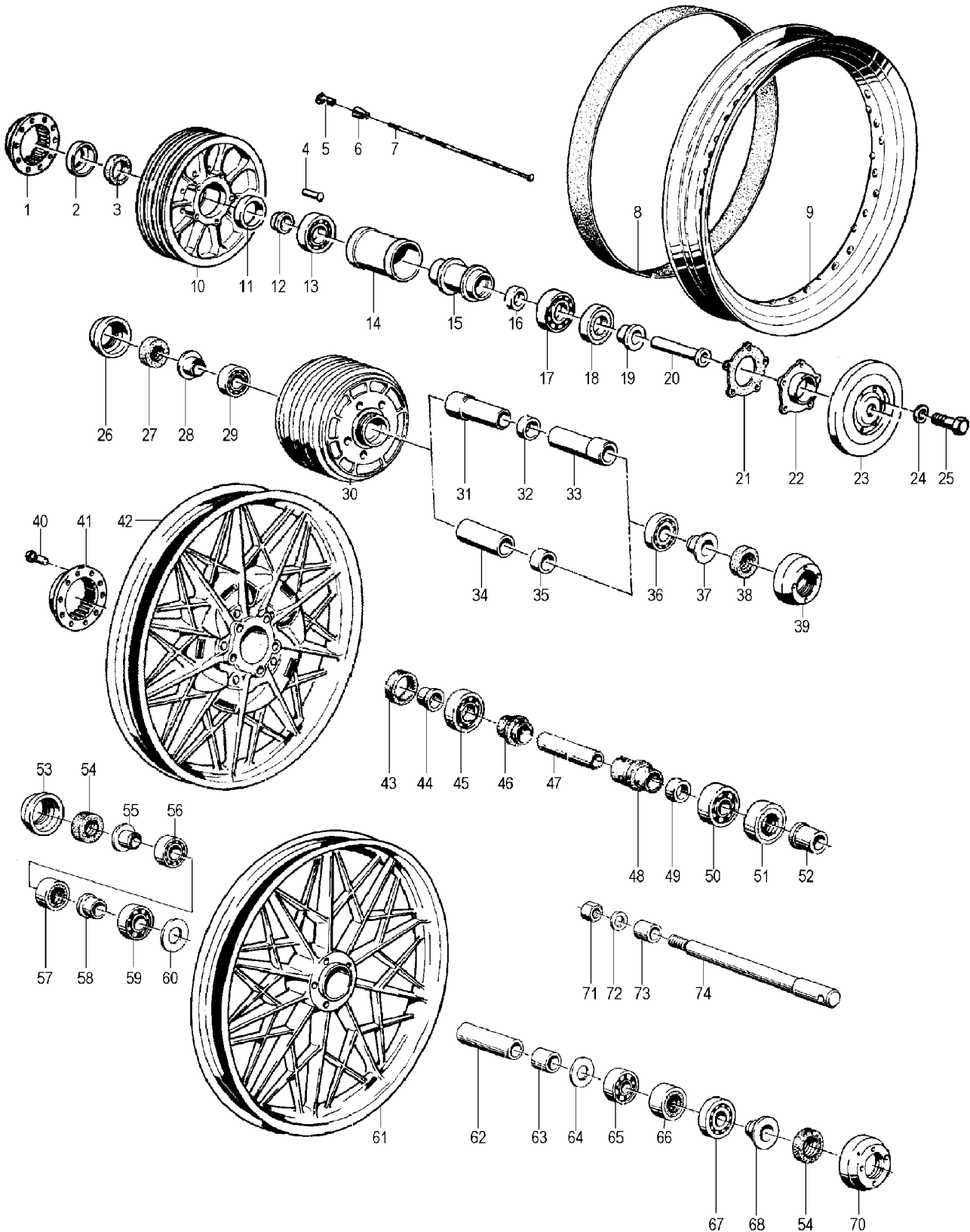
|             |         |  |          |          |
|-------------|---------|--|----------|----------|
| 34_062b     | 1236793 | Brake venting screw for Brembo brake caliper   | 7,06 €   | 8,40 €   |
| 34_063a     | 1233125 | Dust cap for brake breather ATE  | 3,53 €   | 4,20 €   |
| 34_063b     | 1236794 | Brake venting dust cover for Brembo-brake caliper  | 3,78 €   | 4,50 €   |
| 34_067      | 987001  | Brake caliper O-ring for BMW R45 und R65, small, single REMNANTS   | 3,99 €   | 4,75 €   |
| 34_070      | 9901049 | Screw M10x30 hexagon socket for brake caliper from year of manufacture 09/1981   | 1,01 €   | 1,20 €   |
| 34_073a     | 2301705 | Repair Kit brake caliper ATE with 38mm piston  | 83,95 €  | 99,90 €  |
| 34_073b     | 1454809 | Gasket set for brake caliper for BMW R45 & R65 ATE   | 37,14 €  | 44,20 €  |
| 34_073b     | 3401705 | Gasket set for brake caliper ATE 38mm pistons for hinged caliper   | 18,40 €  | 21,90 €  |
| 34_073c     | 1233317 | Boot brake caliper dust protection, for BMW models from year of manufacture 09/1973-08/1984, ATE   | 21,43 €  | 25,50 €  |
| 34_073c     | 3401709 | Gasket set for brake caliper ATE für 40mm pistons for hinged caliper   | 18,40 €  | 21,90 €  |
| 34_073d     | 2301709 | Repair Kit brake caliper ATE with 40mm piston  | 83,95 €  | 99,90 €  |
| 34_074a     | 2301358 | Brake pad set for BMW R75/6-R100 until year of manufacture 09/1980 for ATE hinged caliper  | 31,05 €  | 36,95 €  |
| 34_074b     | 2301359 | Brake pad set for BMW R45 and R65 from year of manufacture 09/1978, ATE  | 26,47 €  | 31,50 €  |
| 34_075a     | 1458211 | Gasket set for Brembo-brake caliper for BMW R80GS-R100PD from year of manufacture 06/1988  | 21,60 €  | 25,70 €  |
| 34_075a     | 1454722 | Gasket set for Brembo-brake caliper for BMW R65-R80RT from 09/1984 until 06/1988   | 17,23 €  | 20,50 €  |
| 34_075b     | 1237234 | Repair-kit for Bremb-Brake caliper on BMW R80-R100S, RS, RT front and rear from 09/1980 and for BMW R65GS-R80ST, front                         | 16,72 €  | 19,90 €  |
| 34_075c     | 2310493 | Gasket Set for brake caliper for BMW R65-R80RT from 08/1988 and R100RS/RT from 08/1987   | 16,89 €  | 20,10 €  |
| 34_075c     | 1454807 | Gasket set for Brembo-brake caliper for BMW R45 and R65  | 29,83 €  | 35,50 €  |
| 34_077      | 31469   | O-ring brake caliper axle, ATE   | 2,10 €   | 2,50 €   |
| 34_078      | 1237303 | Brake caliper, from year of manufacture 09/1975 40mm (hinged caliper), ATE   | 411,68 € | 489,90 € |
| 34_079      | 1231462 | Bolt for brake caliper ATE   | 29,33 €  | 34,90 €  |
| 34_080      | 1231468 | Spring for brake caliper axle ATE  | 2,10 €   | 2,50 €   |
| 34_081      | 31466   | Plugscrew for ATE caliper R75/6  | 10,00 €  | 11,90 €  |
| 34_082      | 1232513 | Brake pad Spring for BMW R75/6-R100 until year of manufacture 09/1980, ATE   | 4,54 €   | 5,40 €   |
| 34_082a     | 1454721 | Front brake pad mounting kit for BMW R65-R80RT from year of manufacture 1985, front R80GS-R100PD from year of manufacture 1988 and R80GS Basic | 12,27 €  | 14,60 €  |
| 34_083      | 233120  | O-ring brake pad, ATE  | 2,48 €   | 2,95 €   |
| 34_089      | 1230043 | Foot brake pedal for BMW R50/5-R100 until year of manufacture 09/1980 used   | 62,94 €  | 74,90 €  |
| 34_089a     | 1238284 | Foot brake pedal for BMW R45 and R65 until year of manufacture 09/1984   | 50,38 €  | 59,95 €  |
| 34_091      | 1230221 | Bolt for foot brake pedal for BMW R50/5-R100 until year of manufacture 09/1981 standard messure  | 69,33 €  | 82,50 €  |
| 34_091a     | 1230222 | Bolt for foot brake pedal for BMW R50/5-R100 until year of manufacture 09/1980 +0,2mm oversize with grease nipple                              | 25,17 €  | 29,95 €  |
| 34_095a     | 34961   | Brake rod bolt with lock spring, 6x12mm  | 2,44 €   | 2,90 €   |
| 34_095b     | 9934955 | Brake rod bolt with lock spring, 6x24mm  | 2,44 €   | 2,90 €   |
| 34_096a     | 1450743 | Brake rod for BMW R50/5-R75/5, short wheel base, BMW R45 and R64, K75 WITHOUT attachment parts zincked   | 20,97 €  | 24,95 €  |
| 34_096aa    | 50743   | Brake rod for BMW R50/5-R75/5, short wheel base and BMW R45 and R65 with 6mm security clip   | 41,60 €  | 49,50 €  |
| 34_096bb    | 32999   | Brake rod for BMW R50/5-R90S, long wheel base complete with 6mm security clip, stainless steel polished  | 41,60 €  | 49,50 €  |
| 34_100a     | 1230308 | Brake lever for BMW R50/5-R100, rear, until year of manufacture 09/1980 used   | 16,72 €  | 19,90 €  |
| 34_100b     | 1239078 | Brake lever for BMW R45/R65, R80/7-R100 and R65GS-R100GS from year of manufacture 09/1980, rear Original New part                              | 56,22 €  | 66,90 €  |
| 34_101a     | 4044115 | Wing nut for brake rod for BMW R25-R69S stainless steel chromed  | 10,84 €  | 12,90 €  |
| 34_103      | 19625   | Screw M6x25, allen-head  | 0,17 €   | 0,20 €   |
| 34_104/105  | 2311088 | Brake-shoe Set for BMW R50/5-R100, R45 and R65, rear, until year of manufacture 09/1980 (Set = 2 pc. for 1 rear wheel)                         | 43,07 €  | 51,25 €  |
| 34_104/105a | 2311089 | Brake-shoe Set for BMW R65LS, rear   | 43,07 €  | 51,25 €  |
| 34_104/105b | 2310523 | Brake-shoe Set, rear, years of manufacture 09/1980-09/1989 all R-Models, K75 years of manufacture 1985-1996                                    | 46,89 €  | 55,80 €  |
| 34_104/105c | 2311019 | Brake-shoe Set for BMW R80 and R100, rear, from year of manufacture 09/1989  | 43,07 €  | 51,25 €  |
| 34_104/105d | 2311082 | Brake-shoe for BMW R65LS, rear upper original BMW  | 41,51 €  | 49,40 €  |
| 34_105a     | 1457572 | Brake-shoe spring anti noise rubber for BMW R60/7-R100 until year of manufacture 09/1989   | 5,25 €   | 6,25 €   |
| 34_105b     | 1458148 | Brake-shoe spring anti noise rubber for BMW R80GS-R100R  | 1,98 €   | 2,36 €   |
| 34_105c     | 2311083 | Brake-shoe for BMW R65LS, rear lower original BMW  | 41,51 €  | 49,40 €  |
| 34_106a     | 1457091 | Brake-shoe spring for BMW R50/5-R100, rear until year of manufacture 09/1989 and R45, R65, GS, ST  | 2,94 €   | 3,50 €   |
| 34_106b     | 1458377 | Brake-shoe spring for BMW R80-R100, rear, from year of manufacture 09/1989 also GS, PD, R  | 5,00 €   | 5,95 €   |
| 34_107      | 30360   | Felt ring for brake key for BMW R50/5-R100, rear   | 2,44 €   | 2,90 €   |
| 34_107b     | 06328   | O-ring brake spanner for BMW R80/7 and up and for BMW R45/R65, R100 years of manufacture 09/1980-09/1989                                       | 0,50 €   | 0,60 €   |
| 34_108      | 60107   | Brake pedal washer, rear, R50/5->, R50-R69S  | 1,30 €   | 1,55 €   |
| 34_109a     | 1230261 | Brake spanner for BMW R50/5-R100 until year of manufacture 08/1980, rear   | 86,47 €  | 102,90 € |



|            |         |  |          |          |
|------------|---------|--|----------|----------|
| 34_109b    | 1454836 | Brake spanner for BMW R100, from year of manufacture 1980, rear  | 55,00 €  | 65,45 €  |
| 34_110     | 1236136 | Retaining clamp brake cylinder for BMW R100S, RS, RT, rear   | 22,10 €  | 26,30 €  |
| 34_113a    | 1242625 | Brake fluid container screw on throttle control for BMW R45/R65, R80/7-R100 and R65GS-R100GS               | 0,25 €   | 0,30 €   |
| 34_113b    | 1241961 | Brake fluid container for BMW R100RS and R100RT, rear, from year of manufacture 09/1980                    | 15,63 €  | 18,60 €  |
| 34_115a    | 2302371 | Brake piston set (Master cylinder piston), Magura, 12mm 1 brake disc                                       | 41,93 €  | 49,90 €  |
| 34_115b    | 1242791 | Brake cylinder repair kit for BMW R100RS, RT from year of manufacture 09/1980, rear 14mm                   | 31,01 €  | 36,90 €  |
| 34_115b    | 1238392 | Brake piston set (Master cylinder piston), Magura, 13mm 1 brake disc                                       | 54,45 €  | 64,80 €  |
| 34_115b    | 1237233 | Brake cylinder repair kit for BMW R100S, RS, RT until year of manufacture 09/1980, rear 16mm               | 26,81 €  | 31,90 €  |
| 34_115c    | 1454474 | Brake piston set (Master cylinder piston), Magura, 14mm 1 brake disc                                       | 41,93 €  | 49,90 €  |
| 34_115d    | 2334101 | Brake piston set (Master cylinder piston), Magura, 15mm 2 brake discs                                      | 41,93 €  | 49,90 €  |
| 34_115e    | 1238393 | Brake piston set (Master cylinder piston), Magura, 16mm 2 brake discs                                      | 41,93 €  | 49,90 €  |
| 34_125b    | 42759   | Brake hose steel covered for BMW R100S, RS and RT, years of manufacture 1976-1984, rear TRW-Lucas with ABE | 40,76 €  | 48,50 €  |
| 34_126b    | 1238058 | Dust cover for Brembo-Brake caliper for BMW-Models years of manufacture 09/1980-09/1984                    | 7,14 €   | 8,50 €   |
| 34_126c    | 1454653 | Cover for Brembo-brake caliper BMW R65RT-R100RS until year of manufacture 08/1988                          | 4,45 €   | 5,30 €   |
| 34_138     | 1235844 | Lock plate, disc-brake rear, R100, 2 holes   | 5,84 €   | 6,95 €   |
| 34_139     | 98203   | Screw M 8x30 hexagon   | 0,25 €   | 0,30 €   |
| 34_140     | 1235843 | Lock plate, disc-brake rear, R100, 3 holes   | 2,10 €   | 2,50 €   |
| 34_145     | 1362825 | Clamp brake hose R100, rear  | 0,84 €   | 1,00 €   |
| 34_151     | 1116458 | Clamp for brake hose container/cylinder, rear  | 3,07 €   | 3,65 €   |
| 34_152     | 1236259 | Fluid tube, Container-Cylinder, rear   | 3,28 €   | 3,90 €   |
| 34_164/168 | 1242767 | Brake pipe for BMW R100S, RS, RT, years of manufacture 09/1980-09/1984, rear                               | 15,88 €  | 18,90 €  |
| 34_169a    | 1238084 | Brake cylinder for BMW R100S, RS, RT until year of manufacture 09/1980, rear                               | 117,56 € | 139,90 € |
| 34_169a    | 1238040 | Dust cap for brake cylinder for BMW R100RS, R100RT and R100S, rear wheel                                   | 5,84 €   | 6,95 €   |
| 34_169b    | 1241960 | Brake cylinder for BMW R100RS, RT from year of manufacture 09/1980, rear                                   | 118,40 € | 140,90 € |



**Group 36 Wheels**



| <u>Picture-No.</u> | <u>Article-No.</u> | <u>Description</u>   | <u>Net</u> | <u>Gross</u> |
|--------------------|--------------------|--|------------|--------------|
| 36_000             | 1450824            | Wheel bearing spacer tube R65-R100 1985->  | 3,73 €     | 4,44 €       |
| 36_000             | 1458284            | Plug for rear wheel hub R65GS-R100R  | 10,00 €    | 11,90 €      |
| 36_000             | 9931697            | Shim for tire valve (metal)  | 0,08 €     | 0,10 €       |
| 36_000             | 97001              | Tool for spokes, chrome vanadium suitable for most nipples M3 - M3.5 - M4 - M4.5 | 10,84 €    | 12,90 €      |
| 36_000             | 2333226            | Wheel screw R80GS-R100PD, R80R-R100R   | 3,28 €     | 3,90 €       |
| 36_000             | 30070              | Nipple M4  | 0,34 €     | 0,40 €       |
| 36_000             | 1450859            | Bearing wheel for BMW R65-R100 years of manufacture 1985-1995 also for K-models  | 10,04 €    | 11,95 €      |



|         |         |   |          |          |
|---------|---------|---|----------|----------|
| 36_000  | 1452727 | Nipple M4, R80/100R, R80/100GS 96> R850GS-R1200C  | 1,05 €   | 1,25 €   |
| 36_000  | 9700101 | Tool for spokes suitable for most nipples M3.5 - M4 - M4.5 - M5   | 9,66 €   | 11,50 €  |
| 36_000a | 0030070 | Nipple M4, stainless steel  | 0,42 €   | 0,50 €   |
| 36_001a | 30325   | Drive coupling rear wheel (hub) for BMW R50/5, R60/5 and R75/5  | 71,43 €  | 85,00 €  |
| 36_001b | 32525   | Drive coupling wheel (hub) for BMW R60/6-R100   | 83,61 €  | 99,50 €  |
| 36_003  | 31701   | Seal-ring, wheel /5-> rear+front (inner)  | 9,45 €   | 11,25 €  |
| 36_003a | 38155   | Felt ring for wheel bearing for BMW R25/2-R27 and R50/5-R75/5   | 2,23 €   | 2,65 €   |
| 36_004a | 9947165 | Rivet for wheel spline R50/5-R75/5  | 1,09 €   | 1,30 €   |
| 36_004b | 9900800 | Rivet for wheel spline R60/6-R100   | 2,44 €   | 2,90 €   |
| 36_007a | 34592   | Spoke R50/5-60/6 front (drum), chromed, M4, w/nipple GS up from 1988 >  | 1,01 €   | 1,20 €   |
| 36_007b | 8046    | Spoke R50/5-60/7 front (drum), stainless steel, M4 w/nipple   | 1,22 €   | 1,45 €   |
| 36_007c | 34593   | Spoke R75/6-R100RS front (disk brake), M4, chrome plated, w/nipple  | 1,01 €   | 1,20 €   |
| 36_007d | 8047    | Spoke R75/6-R100RS front (disk brake), M4 stainless steel, w/nipple   | 1,22 €   | 1,45 €   |
| 36_007e | 6044    | Spoke R25/3-R27, R50-R69S M4x140, R50/5- rear, incl. nipple   | 1,01 €   | 1,20 €   |
| 36_007f | 1047    | Spoke R25/3-R27, R50-R69S (2x crossed), R50/5-> rear, stainless steel, incl. Nipple   | 1,22 €   | 1,45 €   |
| 36_007g | 1241608 | Spoke R65GS-R80GS, 80-92, front, chromed, w/o nipple, orig.BMW  | 3,28 €   | 3,90 €   |
| 36_007h | 1452726 | Spoke R80/100GS, PD, 87> front, chromed, M4 w/o nipple  | 3,28 €   | 3,90 €   |
| 36_008  | 1040    | Rim tape - Tube protection rubber suitable for 16 - 21 inch   | 2,35 €   | 2,80 €   |
| 36_009b | 1233325 | Rim für BMW R50/5-R100, rear, until year of manufacture 09/1980 Aluminum, original BMW  | 292,10 € | 347,60 € |
| 36_009c | 933325  | Rim für BMW R50/5-R100, rear, until year of manufacture 09/1980 aluminum  | 167,23 € | 199,00 € |
| 36_009d | 1233323 | Rim for BMW R50/5-R75/5 & R60/6, front, for drum brake Aluminium, original BMW  | 226,81 € | 269,90 € |
| 36_009e | 1233321 | Rim for BMW R75/6-R100 & R80ST, front, for disk brake, aluminum original BMW  | 231,01 € | 274,90 € |
| 36_009e | 0033321 | Rim for BMW R75/6-R100 & R80ST, front, for disk brake, aluminum   | 158,82 € | 189,00 € |
| 36_009f | 933323  | Rim for BMW R50/5-R75/5 and R60/6, front, for drum brake Aluminium  | 158,82 € | 189,00 € |
| 36_010b | 32437   | Wheel hub for BMW R50/5-R60/6 front without bearings, bushings and spacers  | 231,01 € | 274,90 € |
| 36_010c | 32979   | Wheel hub R60/6-R100 -> 81, rear, empty also replacement R50/5-R75/5  | 361,26 € | 429,90 € |
| 36_010d | 1239035 | Wire wheel R60/6-R100, R45/65, rear   | 600,00 € | 714,00 € |
| 36_010e | 2302280 | Wire wheel R80ST front, complete, 1,85x19 w/out tire  | 520,00 € | 618,80 € |
| 36_010f | 1458453 | Front wheel R80/100 GS, PD 09/90->  | 637,65 € | 758,80 € |
| 36_013  | 13064   | Bearing wheel for BMW R26, R27, R50/5-R100 and R45/R65 until year of manufacture 09/1984 and rocker arm for BMW R26-R69S and R50/5-R100, front and rear | 15,88 €  | 18,90 €  |
| 36_014  | 30324   | Wheel bearing outer spacer tube R60/6-90S rear R50/5-R75/5 front + rear   | 10,25 €  | 12,20 €  |
| 36_015  | 35737   | Wheel bearing spacer tube R50/5-R60/6   | 11,68 €  | 13,90 €  |
| 36_015b | 35570   | Spacer rubber wheel bearing for BMW R50/5-R100  | 1,26 €   | 1,50 €   |
| 36_017  | 13064   | Bearing wheel for BMW R26, R27, R50/5-R100 and R45/R65 until year of manufacture 09/1984 and rocker arm for BMW R26-R69S and R50/5-R100, front and rear | 15,88 €  | 18,90 €  |
| 36_018  | 30334   | Seal-ring wheel bearing ->78 rear+front (outer)   | 11,68 €  | 13,90 €  |
| 36_019  | 1230322 | Thrust sleeve for BMW R50/5-R100 until year of manufacture 09/1984, left side on wider tires also to be used on right side                              | 5,84 €   | 6,95 €   |
| 36_020  | 30007   | Reducing bush for wheel axle for BMW R50/5-R75/5, used  | 9,20 €   | 10,95 €  |
| 36_021  | 1232523 | Gasket for Wheel bearing for BMW R50/5-R100   | 2,48 €   | 2,95 €   |
| 36_022  | 30337   | Wheel bearing cover R50/5-75/5  | 20,97 €  | 24,95 €  |
| 36_022b | 32477   | Wheel bearing cover R60/6-90S   | 22,27 €  | 26,50 €  |
| 36_023  | 30338   | Hubcap R50/5-75/5 stainless steel   | 51,43 €  | 61,20 €  |
| 36_024  | 98429   | Lock washer A 6 zincked   | 0,08 €   | 0,10 €   |
| 36_025  | 98162   | Screw M6x35 hexagon   | 0,15 €   | 0,18 €   |
| 36_025a | 098162  | Screw M6x35 hexagon, stainless  | 0,42 €   | 0,50 €   |
| 36_027  | 35836   | Seal-ring, wheel bearing /6->, front (inner+outer)  | 4,83 €   | 5,75 €   |
| 36_028  | 4038142 | Thrust sleeve for BMW R50/5-R100, right side and for BMW R45, R65   | 5,84 €   | 6,95 €   |
| 36_029  | 13064   | Bearing wheel for BMW R26, R27, R50/5-R100 and R45/R65 until year of manufacture 09/1984 and rocker arm for BMW R26-R69S and R50/5-R100, front and rear | 15,88 €  | 18,90 €  |
| 36_030  | 37090   | Wheel hub R75/6-R100RT, empty, >09/80   | 268,82 € | 319,90 € |
| 36_030b | 1235819 | Wheel hub for BMW R45 and R65, R80GS front without bearings, bushings and spacers   | 155,38 € | 184,90 € |
| 36_032  | 31140   | Wheel bearing spacer ring R75/6-R90S 10.2mm   | 4,96 €   | 5,90 €   |
| 36_033  | 1232423 | Distance bushing for wheel axle for BMW R75/6-R90S until year of manufacture 09/1974, 14mm  | 20,21 €  | 24,05 €  |
| 36_034  | 37606   | Wheel bearing spacer tube R75/6-R100 front  | 13,53 €  | 16,10 €  |
| 36_034a | 1236140 | Wheel bearing spacer tube R65GS-R80RT   | 13,28 €  | 15,80 €  |
| 36_034a | 1237606 | Wheel bearing spacer tube R75/6-R100 front  | 11,18 €  | 13,30 €  |
| 36_035a | 30781   | Wheel bearing spacer ring for R25/3-R27 and R50/5-R100RT, 6.30mm  | 2,94 €   | 3,50 €   |
| 36_035b | 30782   | Wheel bearing spacer ring for R25/3-R27 and R50/5-R100RT, 6.35mm  | 2,94 €   | 3,50 €   |
| 36_035c | 30783   | Wheel bearing spacer ring for R25/3-R27 and R50/5-R100RT, 6.40mm  | 2,94 €   | 3,50 €   |
| 36_035d | 30784   | Wheel bearing spacer ring for R25/3-R27 and R50/5-R100RT, 6.45mm  | 2,94 €   | 3,50 €   |

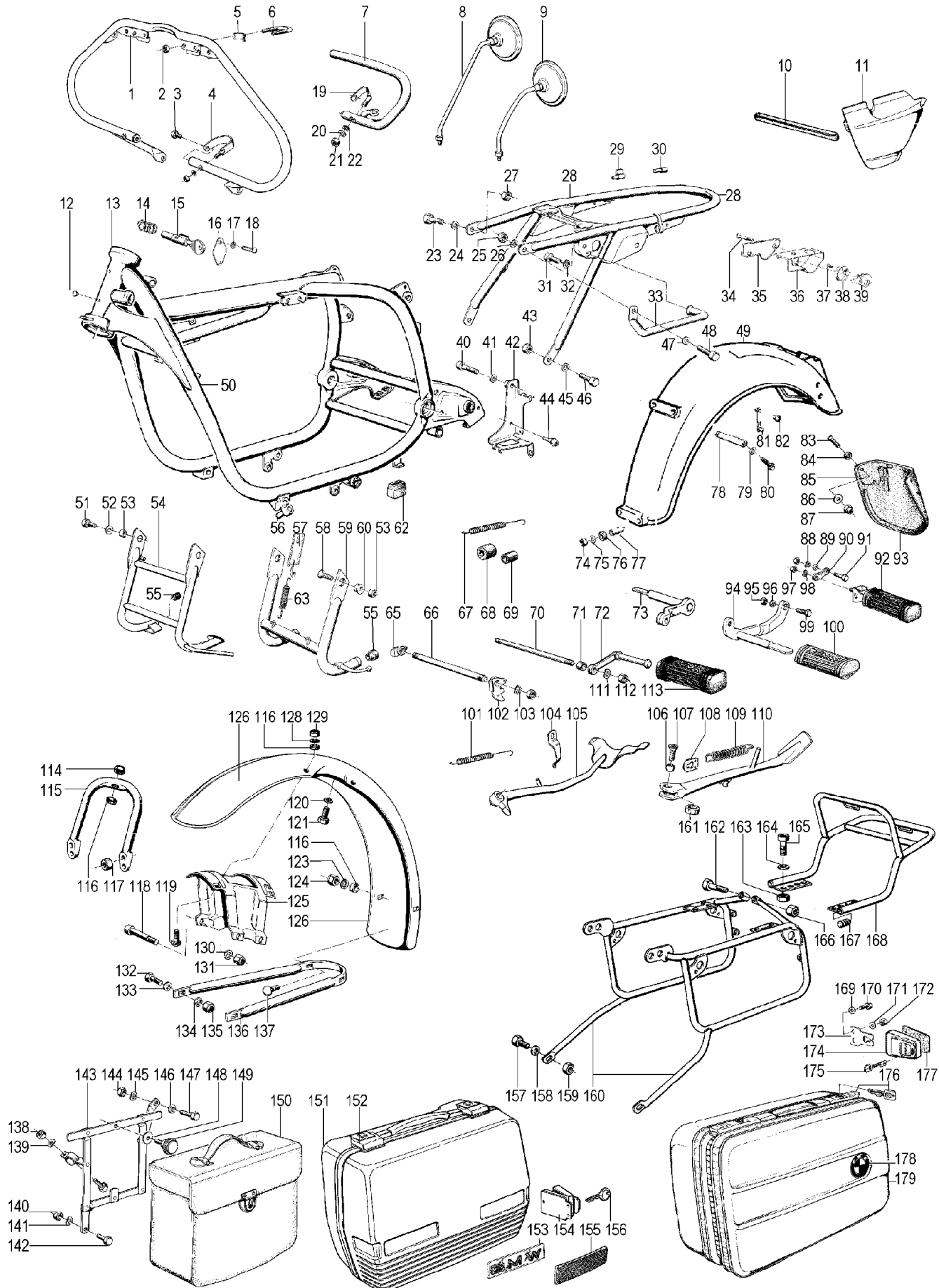


|         |         |   |          |          |
|---------|---------|---|----------|----------|
| 36_035e | 30785   | Wheel bearing spacer ring for R25/3-R27 and R50/5-R100RT, 6.50mm  | 2,94 €   | 3,50 €   |
| 36_035f | 30786   | Wheel bearing spacer ring 6.55mm /5 + singles   | 2,94 €   | 3,50 €   |
| 36_035g | 30787   | Wheel bearing spacer ring for R25/3-R27 and R50/5-R100RT, 6.60mm  | 2,94 €   | 3,50 €   |
| 36_035h | 31240   | Wheel bearing spacer ring for R25/3-R27 and R50/5-R100RT, 6.65mm  | 2,94 €   | 3,50 €   |
| 36_035i | 30788   | Wheel bearing spacer ring for R25/3-R27 and R50/5-R100RT, 6.70mm  | 2,94 €   | 3,50 €   |
| 36_035j | 31241   | Wheel bearing spacer ring for R25/3-R27 and R50/5-R100RT, 6.75mm  | 2,94 €   | 3,50 €   |
| 36_035k | 30789   | Wheel bearing spacer ring for R25/3-R27 and R50/5-R100RT, 6.80mm  | 2,94 €   | 3,50 €   |
| 36_035l | 31242   | Wheel bearing spacer ring for R25/3-R27 and R50/5-R100RT, 6.85mm  | 2,94 €   | 3,50 €   |
| 36_035m | 31243   | Wheel bearing spacer ring for R25/3-R27 and R50/5-R100RT, 6.90mm  | 2,94 €   | 3,50 €   |
| 36_035n | 31244   | Wheel bearing spacer ring for R25/3-R27 and R50/5-R100RT, 6.95mm  | 2,94 €   | 3,50 €   |
| 36_035o | 31245   | Wheel bearing spacer ring for R25/3-R27 and R50/5-R100RT, 7.00mm  | 2,94 €   | 3,50 €   |
| 36_035p | 31246   | Wheel bearing spacer ring for R25/3-R27 and R50/5-R100RT, 7.05mm  | 2,94 €   | 3,50 €   |
| 36_035q | 31247   | Wheel bearing spacer ring for R25/3-R27 and R50/5-R100RT, 7.10mm  | 2,94 €   | 3,50 €   |
| 36_035r | 31248   | Wheel bearing spacer ring for R25/3-R27 and R50/5-R100RT, 7.15mm  | 2,94 €   | 3,50 €   |
| 36_035s | 31249   | Wheel bearing spacer ring for R25/3-R27 and R50/5-R100RT, 7,20mm  | 2,94 €   | 3,50 €   |
| 36_036  | 13064   | Bearing wheel for BMW R26, R27, R50/5-R100 and R45/R65 until year of manufacture 09/1984 and rocker arm for BMW R26-R69S and R50/5-R100, front and rear | 15,88 €  | 18,90 €  |
| 36_038  | 35836   | Seal-ring, wheel bearing /6->, front (inner+outer)  | 4,83 €   | 5,75 €   |
| 36_039  | 1232422 | Nut for front hupcap R60/6-R100   | 20,00 €  | 23,80 €  |
| 36_041  | 1236208 | Drive coupling wheel (hub) for BMW R100 years of manufacture 1976-1984, R45/65 years 1978-1985 disk brake   | 109,83 € | 130,70 € |
| 36_042a | 1238092 | Casted rear wheel R60/6-R100, R45/65 silver, drum disk  | 511,29 € | 608,44 € |
| 36_042b | 238092  | Casted rear wheel R60/6-R100, R45/65 silver, used drum brake, overhauled  | 332,34 € | 395,48 € |
| 36_044  | 2301737 | Thrust sleeve for BMW models with finned gear wheel disk  | 10,84 €  | 12,90 €  |
| 36_050  | 13064   | Bearing wheel for BMW R26, R27, R50/5-R100 and R45/R65 until year of manufacture 09/1984 and rocker arm for BMW R26-R69S and R50/5-R100, front and rear | 15,88 €  | 18,90 €  |
| 36_054  | 35836   | Seal-ring, wheel bearing /6->, front (inner+outer)  | 4,83 €   | 5,75 €   |
| 36_061a | 2302284 | Casted front wheel R45/65, 18", silver, w/out disk  | 347,68 € | 413,74 € |
| 36_061b | 1457361 | Casted front wheel R100RS, K75, K100, black   | 270,00 € | 321,30 € |
| 36_061c | 1451897 | Casted front wheel R65, R80RT, R100RT, silver   | 475,63 € | 566,00 € |
| 36_071  | 98389   | Nut M14 x 1,5 flat for wheel axle for BMW R50/5-R100 and R69US, front and rear stainless steel  | 2,10 €   | 2,50 €   |
| 36_072  | 1233020 | Flat washer for wheel axle for spoked wheel for BMW R50/6-R90S and R45-R65LS  | 3,53 €   | 4,20 €   |
| 36_073a | 1233491 | Distance bushing for wheel axle, 19mm for spoked wheel from september/1973 upto august/1980 and for casted wheel upto aug/1984                          | 16,72 €  | 19,90 €  |
| 36_073b | 1242632 | Distance bushing for wheel axle from year4 of manufacture 09/1979, 24mm   | 16,72 €  | 19,90 €  |
| 36_073c | 1242633 | Distance bushing for wheel axle from year of manufacture 09/1979, 4mm   | 2,44 €   | 2,90 €   |
| 36_073d | 1232285 | Distance bushing for wheel axle, until year of manufacture 09/1974, 18mm  | 16,64 €  | 19,80 €  |
| 36_074a | 60336   | Wheel axle R50/5-R90S, R69US, 14mm, upto 1975, front stainless steel  | 50,34 €  | 59,90 €  |
| 36_074a | 1236144 | Wheel axle R45, R65, R80ST, 17mm, front   | 44,12 €  | 52,50 €  |
| 36_074b | 33490   | Wheel axle R60/6-R100, from 1975 and later, 17mm, front   | 62,10 €  | 73,90 €  |
| 36_074c | 1454950 | Wheel axle R65-R100R, GS, from sep/1984 and later   | 41,87 €  | 49,83 €  |
| 36_074c | 1233490 | Wheel axle R75/6-R100RS, 17mm, front stainless steel  | 50,84 €  | 60,50 €  |
| 36_075  | 204011  | Tube 4.00-18 Continental or Metzeler  | 14,92 €  | 17,75 €  |
| 36_075  | 132519  | Tire 3.50S19 Avon AM6 Speedmaster groove profile  | 83,99 €  | 99,95 €  |
| 36_076  | 432518  | Tire 3.25S18 ME11 Metzeler  | 113,40 € | 134,95 € |
| 36_077  | 232519  | Tire 3.25S19 ME11 Metzeler  | 113,36 € | 134,90 € |
| 36_077a | 240019  | Tire 3.25H19 Heidenau K34   | 73,95 €  | 88,00 €  |
| 36_078  | 540018  | Tire 4.00S18 H-06, Mitas  | 67,14 €  | 79,90 €  |
| 36_078a | 6440018 | Tire Metzeler 4.00V18 Lasertec rear   | 155,38 € | 184,90 € |
| 36_080  | 1408017 | Tire 140/80B17 69V TL ME55A Metronic  | 165,00 € | 196,35 € |
| 36_080  | 832519  | Tire 3.25H19 ME33 Laser Metzeler  | 117,56 € | 139,90 € |
| 36_080  | 332518  | Tire 3.25H18 ME11 Metzeler  | 156,30 € | 186,00 € |
| 36_080  | 332519  | Tire 3.25H19 ME11 Metzeler  | 113,36 € | 134,90 € |
| 36_080a | 0112018 | Tire 4.00H18 Heidenau K36   | 104,96 € | 124,90 € |
| 36_081  | 20402   | Tire air tube 3.25/3.50/4.00-19   | 9,92 €   | 11,80 €  |
| 36_45   | 13064   | Bearing wheel for BMW R26, R27, R50/5-R100 and R45/R65 until year of manufacture 09/1984 and rocker arm for BMW R26-R69S and R50/5-R100, front and rear | 15,88 €  | 18,90 €  |
| 36-000  | 1237595 | Intermediate ring, wheel bearing, cast-wheel R100 R60-R80 76-84, R45/65LS 78-85   | 4,62 €   | 5,50 €   |





**Group 46a Frame, fenders, baggage carrier**



**Picture-No. Article-No. Description**

46\_000 1451237 Footrest bolt for BMW R65GS-R100PD from year of manufacture 11/1986, rear

**Net Gross**  
5,84 € 6,95 €



|         |         |  |          |          |
|---------|---------|--|----------|----------|
| 46_000  | 9020217 | Sub-frame for side car for BMW R50/5-R100/7 with connecting clamps and connecting rods   | 671,43 € | 799,00 € |
| 46_000  | 1452444 | Rubber grommet for impact plate for BMW R65, R80, R80RT and R100RT   | 0,59 €   | 0,70 €   |
| 46_000  | 7770005 | Sticker Reifendruck, below Seat, all Models /5 tire inflation pressure   | 4,62 €   | 5,50 €   |
| 46a_00  | 0903914 | Rear Mirror for BMW R45 und R65, R100 from year of manufacture 1981-1984, long, right side 8mm, reduced display, discontinued item | 16,72 €  | 19,90 €  |
| 46a_000 | 1233663 | ID-plate 90 S  | 9,16 €   | 10,90 €  |
| 46a_000 | 1233662 | ID-plate 90/6  | 8,32 €   | 9,90 €   |
| 46a_000 | 1238292 | Side stand angle-bolt R45/65 ->80  | 1,68 €   | 2,00 €   |
| 46a_000 | 34861   | Tire air pump for BMW models from R50/5 und up, short silver   | 15,42 €  | 18,35 €  |
| 46a_000 | 1454536 | Foot rest for BMW R65-R100PD, right side, rear   | 9,92 €   | 11,80 €  |
| 46a_000 | 1454388 | Footrest washer for BMW R65-R100PD   | 0,56 €   | 0,67 €   |
| 46a_000 | 1457390 | Foot rest bearing bracket for BMW R65-R100PD from year of manufacture 11/1986  | 1,74 €   | 2,07 €   |
| 46a_000 | 1457392 | Footrest stop for BMW R65-R100PD   | 0,92 €   | 1,09 €   |
| 46a_000 | 1455735 | Paint pen / touch up applicator set, columbia-silvermetallic for BMW K100 REMNANTS   | 8,32 €   | 9,90 €   |
| 46a_000 | 1233574 | Headlight clamp (full fairing)   | 1,94 €   | 2,31 €   |
| 46a_000 | 2302079 | Crash bar clamp (split version) in combination w/item #2302080, black  | 4,62 €   | 5,50 €   |
| 46a_000 | 2302080 | Crash bar mount (split), in combination with part #2302079   | 3,28 €   | 3,90 €   |
| 46a_000 | 1452297 | Dust cover seat-lock for BMW R60/7-R100, years of manufacture 1976-1984  | 0,38 €   | 0,45 €   |
| 46a_000 | 9056257 | Center stand for BMW R45 and R65 until year of manufacture 01/1982, "1st version"  | 83,95 €  | 99,90 €  |
| 46a_000 | 1239070 | Side stand bushing 45/65 ->80, in holder   | 0,41 €   | 0,49 €   |
| 46a_000 | 1242204 | Battery cover lateral for BMW R65GS, R80G/S and R80ST, right side grounded   | 67,14 €  | 79,90 €  |
| 46a_000 | 1242001 | Screw for rear frame R50/5-R75/5 R50/5->2903625, R60/5->2938706, R75/5->2982739  | 1,26 €   | 1,50 €   |
| 46a_000 | 112520  | Rear Mirror "Albert", left side  | 38,15 €  | 45,40 €  |
| 46a_000 | 112521  | Rear Mirror "Albert", right side   | 38,15 €  | 45,40 €  |
| 46a_000 | 2301594 | Center stand for BMW R45 and R65 from year of manufacture 02/1982  | 123,95 € | 147,50 € |
| 46a_000 | 38294   | Side stand retainer R45/65   | 3,36 €   | 4,00 €   |
| 46a_000 | 90172   | Dust cap for tire air pump   | 0,50 €   | 0,60 €   |
| 46a_000 | 90176   | Rubber gasket for tire air pump  | 1,09 €   | 1,30 €   |
| 46a_000 | 90170   | Tire air pump valve breather, 4 holes  | 0,67 €   | 0,80 €   |
| 46a_000 | 90174   | Rubber back-pressure valve for tire air pump   | 0,42 €   | 0,50 €   |
| 46a_000 | 13070   | Varnish pen, black, 086  | 14,20 €  | 16,90 €  |
| 46a_000 | 37523   | Side stand stop R45/65 79->  | 0,46 €   | 0,55 €   |
| 46a_000 | 2242109 | Footrest rubber-surfaced for BMW R65GS-R80ST   | 3,75 €   | 4,46 €   |
| 46a_000 | 1454535 | Foot rest for BMW R65-R100PD, left side, rear  | 9,92 €   | 11,80 €  |
| 46a_000 | 01429   | ID-plate 75/6, 90/6, 90S   | 3,28 €   | 3,90 €   |
| 46a_000 | 35469   | Key for Krauser pannier (old Touring K1 systems)   | 8,36 €   | 9,95 €   |
| 46a_000 | 34511   | Clamp bracket for Krauser pannier  | 10,84 €  | 12,90 €  |
| 46a_000 | 700110  | Key for H&B pannier (by key number)  | 5,60 €   | 6,66 €   |
| 46a_000 | 2300045 | Emblem Integral-case and System-case stick-on label, original BMW  | 8,82 €   | 10,50 €  |
| 46a_000 | 34860   | Tire air pump for BMW models from R50/5 und up, short black  | 15,42 €  | 18,35 €  |
| 46a_000 | 2302102 | Battery cover lateral for BMW R80ST, left grounded   | 92,52 €  | 110,10 € |
| 46a_000 | 2323569 | Sticker for BMW "BOXER" left side silver   | 33,26 €  | 39,58 €  |
| 46a_000 | 2323570 | Sticker for BMW "BOXER" right side silver  | 33,26 €  | 39,58 €  |
| 46a_000 | 2300039 | Hinge for City pannier   | 2,94 €   | 3,50 €   |
| 46a_000 | 2303652 | Bag carrier lock for City case   | 16,72 €  | 19,90 €  |
| 46a_000 | 2307385 | Headlight bracket cover for BMW R80R-R100R, left side primed   | 31,01 €  | 36,90 €  |
| 46a_000 | 2307386 | Headlight bracket cover for BMW R80R-R100R, right side primed  | 31,01 €  | 36,90 €  |
| 46a_000 | 2312791 | Identification plate blank   | 16,72 €  | 19,90 €  |
| 46a_000 | 1242203 | Battery cover lateral for BMW R65GS und R80G/S, left side grounded   | 82,27 €  | 97,90 €  |
| 46a_000 | 0504014 | Rear Mirror for BMW R60/6-R100, long, right side 8mm, chrome-plated, reduced display   | 17,56 €  | 20,90 €  |
| 46a_000 | 0804012 | Rear Mirror for BMW R60/6-R100, short, right side 8mm, reduced display, REMNANTS   | 16,72 €  | 19,90 €  |
| 46a_000 | 0803913 | Rear Mirror for BMW R60/6-R100 and BMW R45 & R65, short, left side 8mm, reduced display  | 16,72 €  | 19,90 €  |
| 46a_000 | 0503913 | Rear Mirror for BMW R60/6-R100, long, left side 8mm, chrome-plated, reduced display  | 17,56 €  | 20,90 €  |
| 46a_000 | 2301427 | ID-plate R80, R80/7, R80TIC 398kg > 04/81  | 16,72 €  | 19,90 €  |
| 46a_000 | 1236240 | Rubber grommet front panel for BMW R45 and R65 and battery cover for BMW R80ST, R80-R100GS, PD                                     | 1,39 €   | 1,65 €   |
| 46a_000 | 7770002 | Sticker Inspektion for BMW all Models /5   | 5,46 €   | 6,50 €   |
| 46a_000 | 3308039 | Rear Mirror for BMW R60/6-R100, R45, R65 and R80GS, short, left side black   | 20,13 €  | 23,95 €  |
| 46a_000 | 3308040 | Rear Mirror for BMW R60/6-R100 and R80GS, short, right side 8mm, black, normal display   | 20,13 €  | 23,95 €  |
| 46a_000 | 01302   | Crash bar set R50/5-R100 Krauser, chrome   | 117,56 € | 139,90 € |



|          |         |  |          |          |
|----------|---------|--|----------|----------|
| 46a_001  | 9024171 | Crash bar R50/5-R100 trapeze shape, chrome w/mounting parts, ->09/80   | 167,98 € | 199,90 € |
| 46a_004  | 1237759 | Crash bar clamp, black, one piece for original BMW crash bar   | 10,84 €  | 12,90 €  |
| 46a_006  | 24186   | Crash bar U-mount  | 6,30 €   | 7,50 €   |
| 46a_007b | 3052    | Crash bar set for BMW R50/5-R100CS, R80/100GS, ST Fehling, chrome, 2 parts, with mounting-material   | 155,38 € | 184,90 € |
| 46a_007c | 1240879 | Crash bar R50/5-R100 LH, chrome, w/out sidestand mounting points   | 180,67 € | 215,00 € |
| 46a_007d | 01808   | Crash bar R50/5-R100, R45/65 ->'85, R100R RH chrome  | 180,67 € | 215,00 € |
| 46a_007e | 2301839 | Crash bar set R45/65, black  | 142,77 € | 169,90 € |
| 46a_007g | 2301820 | Crash bar R45/65 RH, chrome, original BMW  | 86,47 €  | 102,90 € |
| 46a_007h | 1242628 | Crashbar R80GS-R100PD LH, w/sidestand-mounting point, black  | 134,62 € | 160,20 € |
| 46a_007i | 2303890 | Crash bar R80GS-R100R RH, black  | 75,59 €  | 89,95 €  |
| 46a_007i | 2301818 | Crash bar R65GS-R80GS RH, black  | 88,49 €  | 105,30 € |
| 46a_008  | 6039    | Rear Mirror for BMW, oval, for bar end mounting, left side   | 18,49 €  | 22,00 €  |
| 46a_008  | 1453078 | Rear Mirror for BMW R80GS-R100R and R100GS/PD year of manufacture 1991-95, left + right side black   | 31,85 €  | 37,90 €  |
| 46a_008  | 2316125 | Rear Mirror for BMW R80GS-R100R, left + right side chrome-plated   | 51,68 €  | 61,50 €  |
| 46a_008  | 0006039 | Rear Mirror for BMW, oval, for bar end mounting, right side  | 18,49 €  | 22,00 €  |
| 46a_008a | 2039    | Rear Mirror for BMW R50/5-R75/5, long, left side 10mm left-hand thread, 10mm bar   | 31,85 €  | 37,90 €  |
| 46a_008b | 2046    | Rear Mirror for BMW R50/5-R75/5, long, right side 10mm right-hand tread, 10mm bar  | 31,85 €  | 37,90 €  |
| 46a_008c | 5039    | Rear Mirror für BMW R60/6-R100 and BMW R45 & R65, long, left side  | 16,72 €  | 19,90 €  |
| 46a_008d | 5040    | Rear Mirror for BMW R60/6-R100, long, right side 8mm   | 16,72 €  | 19,90 €  |
| 46a_008e | 2055    | Rear Mirror for BMW R60/6-R100, R45, R65, long, left side black  | 16,72 €  | 19,90 €  |
| 46a_008f | 2056    | Rear Mirror for BMW R60/6-R100, long, right side black   | 16,72 €  | 19,90 €  |
| 46a_008g | 9039    | Rear Mirror for BMW R45 and R65, right side, long 8mm  | 16,72 €  | 19,90 €  |
| 46a_008g | 0903912 | Rear Mirror for BMW R45 und R65, R100 from year of manufacture 1981-1984, long, right side 8mm, reduced display, chrome plated                                   | 16,72 €  | 19,90 €  |
| 46a_009a | 2041    | Rear Mirror for BMW R50/5-R75/5, short, left side 10mm, left-hand thread, REMNANTS   | 31,85 €  | 37,90 €  |
| 46a_009c | 8039    | Rear Mirror for BMW R60/6-R100 and BMW R45 & R65, short, left side 8mm thread  | 16,72 €  | 19,90 €  |
| 46a_009c | 2308039 | Rear Mirror for BMW R60/6-R100, R45, R65 and R80GS, short, left side 8mm, black, reduced display   | 20,13 €  | 23,95 €  |
| 46a_009d | 8040    | Rear Mirror for BMW R60/6-R100, short, right side 8mm  | 16,72 €  | 19,90 €  |
| 46a_009d | 2308040 | Rear Mirror for BMW R60/6-R100/7, short, right side 8mm, black, reduced display  | 20,13 €  | 23,95 €  |
| 46a_009e | 9040    | Rear Mirror for BMW R45 and R65, short, right side 8mm   | 16,72 €  | 19,90 €  |
| 46a_009e | 2308041 | Rear Mirror for BMW R45 and R65, R80G/S, R100 year of manufacture 1981-1984, short, right side 8mm, black, reduced display                                       | 20,13 €  | 23,95 €  |
| 46a_009f | 02175   | Rear Mirror for BMW R65 and R80 from year of manufacture 09/1984, short, left + right side K100 high handlebar, black, R100GS, PD until year of manufacture 1990 | 16,72 €  | 19,90 €  |
| 46a_009f | 021751  | Rear Mirror for BMW R65 and R80 from year of manufacture 09/1984, long, left + right side K100 flat handlebar, black   | 19,50 €  | 23,21 €  |
| 46a_009f | 0804111 | Rear Mirror for BMW R45 und R65, R100 from year of manufacture 1981-1984, short, right side 8mm, reduced display, chrome-plated                                  | 20,13 €  | 23,95 €  |
| 46a_009g | 98369   | Nut M10 for rear mirror, left-hand threat  | 0,76 €   | 0,90 €   |
| 46a_009h | 6040    | Rear Mirror for BMW, round, for bar end mounting, left side  | 18,49 €  | 22,00 €  |
| 46a_009i | 0006041 | Rear Mirror for BMW, round, for bar end mounting, right side   | 18,49 €  | 22,00 €  |
| 46a_010  | 1351414 | Batterie cover rubber ring for BMW R50/5-R100  | 2,10 €   | 2,50 €   |
| 46a_011  | 1233524 | Rubber washer for batterie cover for BMW R60/7-R100, 4,5mm   | 0,88 €   | 1,05 €   |
| 46a_011  | 1233525 | Rubber washer for batterie cover for BMW R60/7-R100, 11mm  | 1,09 €   | 1,30 €   |
| 46a_011  | 36510   | Grommet batterie cover R 45/65, R 80   | 1,60 €   | 1,90 €   |
| 46a_011  | 2307376 | Battery cover lateral for BMW R80R-R100R, right side grounded  | 23,11 €  | 27,50 €  |
| 46a_011a | 31867   | Battery cover for BMW R50/5 from year of manufacture 08/1983, Set (2 pieces) stainless steel polished  | 101,68 € | 121,00 € |
| 46a_011b | 1452486 | Sticker "R80RT", red/silver, battery cover   | 11,50 €  | 13,69 €  |
| 46a_011c | 2301027 | Sticker R65 gold for BMW, for battery cover  | 16,64 €  | 19,80 €  |
| 46a_011d | 1231862 | Battery cover for BMW R50/5-R75/5 until year of manufacture 08/1973, left side chrome/black, Original BMW  | 140,67 € | 167,40 € |
| 46a_011e | 1231863 | Battery cover Battery cover for BMW R50/5-R75/5 until year of manufacture 08/1973, right chrome/black, original BMW  | 140,67 € | 167,40 € |
| 46a_011f | 1237173 | Battery cover for BMW R45 and R65 until year of manufacture 1984, left side unpainted, original BMW  | 35,97 €  | 42,80 €  |
| 46a_011g | 1237174 | Battery cover for BMW R45 and R65 until year of manufacture 1984, right side unpainted, Original BMW   | 35,97 €  | 42,80 €  |
| 46a_011h | 1232539 | Battery cover for BMW from year of manufacture 09/1973, left side unpainted  | 36,89 €  | 43,90 €  |
| 46a_011i | 1235024 | Battery cover for BMW from year of manufacture 09/1973, right side unpainted   | 36,89 €  | 43,90 €  |
| 46a_011k | 1452435 | Battery cover for BMW R65-R80RT from year of manufacture 09/1984, left side and R100 from year of manufacture 1987   | 41,85 €  | 49,80 €  |
| 46a_011k | 36083   | Sticker 1000cc gold for BMW R100/7, S, RS, RT, for battery cover   | 12,52 €  | 14,90 €  |
| 46a_011k | 1234621 | Sticker 1000cc silver for BMW, for battery cover   | 12,52 €  | 14,90 €  |
| 46a_011l | 1452436 | Battery cover lateral for BMW R65-R80RT from year of manufacture 09/1984, right side and R100 from year of manufacture 1987                                      | 41,85 €  | 49,80 €  |
| 46a_011l | 35655   | Sticker 1000cc blue for BMW, for battery cover   | 12,52 €  | 14,90 €  |



|           |         |  |          |          |
|-----------|---------|--|----------|----------|
| 46a_011m  | 34051   | Sticker 600cc silver for BMW, for battery cover  | 11,64 €  | 13,85 €  |
| 46a_011n  | 33327   | Sticker 750cc silver for BMW, for battery cover  | 11,64 €  | 13,85 €  |
| 46a_011na | 1236082 | Sticker 750cc gold for BMW, for battery cover  | 11,64 €  | 13,85 €  |
| 46a_011o  | 37266   | Sticker 800cc silver for BMW, for battery cover  | 11,64 €  | 13,85 €  |
| 46a_011p  | 33328   | Sticker 900cc silver for BMW, for battery cover  | 12,48 €  | 14,85 €  |
| 46a_011q  | 01020   | Sticker R100RS white for BMW, for battery cover  | 12,52 €  | 14,90 €  |
| 46a_011s  | 1240691 | Sticker R80 golden for BMW   | 13,95 €  | 16,60 €  |
| 46a_011t  | 1240692 | Sticker "R80" white for BMW  | 13,95 €  | 16,60 €  |
| 46a_011v  | 1240001 | Sticker "R100/7" silver for BMW, for battery cover   | 6,39 €   | 7,60 €   |
| 46a_011w  | 1239098 | Sticker R65 white for BMW, for battery cover   | 13,07 €  | 15,55 €  |
| 46a_011w  | 2301025 | Sticker R65 silver for BMW, for battery cover  | 12,52 €  | 14,90 €  |
| 46a_011x  | 1240006 | Sticker R80/7 gold for BMW   | 13,36 €  | 15,90 €  |
| 46a_011y  | 1240008 | Sticker R100S silver for BMW, for battery cover  | 7,52 €   | 8,95 €   |
| 46a_011z  | 1239097 | Sticker R45 white for BMW, for battery cover   | 15,04 €  | 17,90 €  |
| 46a_012   | 36624   | Groove pin for ID-plate for BMW R50/5-R90S stainless steel   | 0,55 €   | 0,65 €   |
| 46a_012b  | 31085   | ID-plate 50/5  | 10,00 €  | 11,90 €  |
| 46a_012c  | 31086   | ID-plate 60/5  | 8,32 €   | 9,90 €   |
| 46a_012d  | 31087   | ID-plate 75/5 Vehicle Identification Plate   | 8,32 €   | 9,90 €   |
| 46a_014   | 16104   | Lock spring for steering lock  | 0,59 €   | 0,70 €   |
| 46a_015a  | 9016007 | Steering lock for BMW R50/5, R60/5 and R75/5 original BMW  | 16,72 €  | 19,90 €  |
| 46a_015a  | 317025  | Steering lock for BMW R25/3-R27, R50-R69S and R50/5-R100, short  | 9,92 €   | 11,80 €  |
| 46a_015b  | 1243274 | Steering lock for BMW R60/6-R100RS/GS original BMW   | 32,52 €  | 38,70 €  |
| 46a_017   | 32019   | Spring washer for steering lock cover for BMW R25/3-R27 and R50-R100   | 0,25 €   | 0,30 €   |
| 46a_018   | 92025   | Groove pin for steering-lock cover and stepshield for BMW R26, R27 and R50-R100/7                                      | 0,42 €   | 0,50 €   |
| 46a_023   | 1231093 | Screw for rear frame mount R50/5-R100 LWB  | 1,51 €   | 1,80 €   |
| 46a_028a  | 01268   | Frame rear end LWB, used   | 125,97 € | 149,90 € |
| 46a_030   | 35638   | Seat holder bolt rear, replacement (weld-on)   | 6,68 €   | 7,95 €   |
| 46a_033   | 1234637 | Handle from rear frame for BMW R50/5-R100RT until yer of manufacture 1995 black  | 18,07 €  | 21,50 €  |
| 46a_034   | 28562   | Screw for seat-lock R50/5-R100, stainless steel  | 0,55 €   | 0,65 €   |
| 46a_035   | 30194   | Seat lock plate, /5->  | 3,70 €   | 4,40 €   |
| 46a_036   | 30186   | Seat lock /5 - R100  | 40,34 €  | 48,00 €  |
| 46a_037   | 07602   | Screw for seat-lock internals  | 1,26 €   | 1,50 €   |
| 46a_038   | 09932   | Ring for seat lock /5->  | 2,35 €   | 2,80 €   |
| 46a_038a  | 1230482 | Lock set R50/5-R75/5, Steering/Seat  | 35,00 €  | 41,65 €  |
| 46a_039   | 43277   | Seat lock cylinder R50/5-> with 2 keys   | 35,21 €  | 41,90 €  |
| 46a_039b  | 1243651 | Lock for tool-box or seat, GS/PD-models late   | 31,01 €  | 36,90 €  |
| 46a_044   | 1231084 | Rubber buffer for battery bracket for BMW from R50/5 and higher, SWB and headlight from R60/6 and higher               | 2,02 €   | 2,40 €   |
| 46a_046   | 1231093 | Screw for rear frame mount R50/5-R100 LWB  | 1,51 €   | 1,80 €   |
| 46a_048   | 1231093 | Screw for rear frame mount R50/5-R100 LWB  | 1,51 €   | 1,80 €   |
| 46a_049a  | 1240297 | Fender for BMW R50/5, rear, until year of manufacture 09/1980 ground coat (black-matte), original BMW New-part         | 125,97 € | 149,90 € |
| 46a_049b  | 295001  | Fender for BMW R50/5, rear, until year of manufacture 09/1980 black painted and lined, original BMW new part           | 295,80 € | 352,00 € |
| 46a_049c  | 1242635 | Fender for BMW R65GS, R80G/S and R80ST, rear, from year of manufacture 1980-1992 black, plastic, original BMW new part | 62,94 €  | 74,90 €  |
| 46a_051   | 35511   | Center stand bolt R50/5-R100 ->09/80   | 1,39 €   | 1,65 €   |
| 46a_053   | 2302049 | Nut M10 for centerstand for BMW BMW R45-R100 until year of manufacture 09/1984, self-locking                           | 1,43 €   | 1,70 €   |
| 46a_053a  | 30210   | Center stand bushing for BMW R50/5-R100 until year of manufacture 09/1980  | 6,51 €   | 7,75 €   |
| 46a_053c  | 01704   | Center stand bushing for BMW R45, R65 and R60/7-R100   | 2,48 €   | 2,95 €   |
| 46a_054   | 1234757 | Center stand for BMW R50/5-R100 until year of manufacture 09/1980, 2 brace   | 110,08 € | 131,00 € |
| 46a_055   | 36522   | Center stand end rubber plug R50/5-R100  | 2,10 €   | 2,50 €   |
| 46a_056b  | 1231233 | Side stand bolt oversize R50/5-> must be adapted to drilling from frame and stand                                      | 11,51 €  | 13,70 €  |
| 46a_056c  | 2311723 | Side stand bolt at crashbar  | 5,46 €   | 6,50 €   |
| 46a_057   | 1238329 | Center stand holder for BMW R45 and R65, /7-R100 from year of manufacture 09/1980                                      | 3,28 €   | 3,90 €   |
| 46a_058   | 02046   | Center stand bolt 09/80->  | 2,10 €   | 2,50 €   |
| 46a_059   | 2301593 | Center stand for BMW R80-R100 from year of manufacture 09/1980, 1 brace  | 125,97 € | 149,90 € |
| 46a_060   | 01704   | Center stand bushing for BMW R45, R65 and R60/7-R100   | 2,48 €   | 2,95 €   |
| 46a_062   | 31815   | Center stand rubber bumper R50/5-R100  | 6,81 €   | 8,10 €   |
| 46a_063a  | 36282   | Center stand spring R60/7-R100, 09/80->01/82   | 3,19 €   | 3,80 €   |
| 46a_063b  | 2331805 | Center stand spring R60/7-R100R, 01/82->, R45/65 R80/100GS, 111mm  | 3,91 €   | 4,65 €   |
| 46a_063c  | 01583   | Center stand spring R60/7-R100R, 01/82->, R45/65 R80/100GS, 143mm  | 4,12 €   | 4,90 €   |
| 46a_065   | 30409   | Center stand holder for BMW R50/5 from year of manufacture 09/1980, right side   | 3,78 €   | 4,50 €   |
| 46a_066   | 30762   | Engine axle for BMW R50/5-100, front and for BMW R45/R65 from year of manufacture 1981, also rear - 306mm              | 18,91 €  | 22,50 €  |



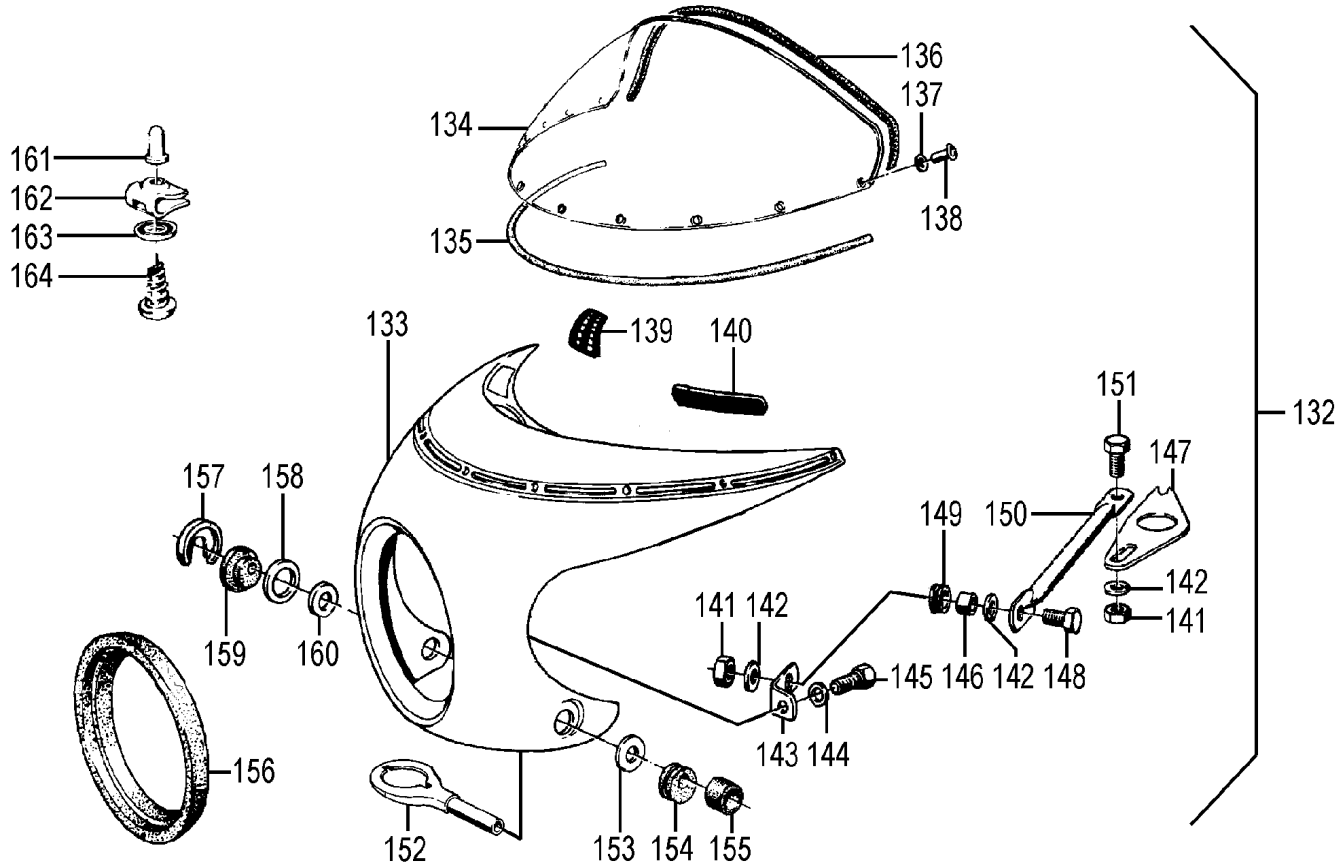
|          |         |  |          |          |
|----------|---------|--|----------|----------|
| 46a_066  | 2311725 | Engine axle for BMW R50/5-100, front and for BMW R45/R65 from year of manufacture 1981, ONLY for crash bar using - 315mm                       | 16,72 €  | 19,90 €  |
| 46a_067  | 34514   | Spring for center stand R50/5-R100 ->09/80   | 2,35 €   | 2,80 €   |
| 46a_068  | 1237787 | Protection rubber stand-spring big   | 0,92 €   | 1,09 €   |
| 46a_069  | 1237786 | Protection rubber for stand-spring, small  | 1,05 €   | 1,25 €   |
| 46a_070  | 30475   | Engine axle for BMW R50/5-100, rear, years of manufacture 09/1969-09/1980 327mm  | 18,91 €  | 22,50 €  |
| 46a_071  | 2311726 | Distance ring engine for BMW Models from year of manufacture 09/1969 until 08/1980   | 6,64 €   | 7,90 €   |
| 46a_072a | 9034125 | Foot rest driver for BMW R50-69S and R50/5-R100, left side   | 25,13 €  | 29,90 €  |
| 46a_072b | 4034260 | Foot rest for BMW R50-R69S and R50/5-R100, right side  | 25,13 €  | 29,90 €  |
| 46a_072c | 1242017 | Foot rest driver for BMW GS- and PD models, left side  | 31,68 €  | 37,70 €  |
| 46a_072d | 1242018 | Foot rest driver for BMW GS- and PD models, right side   | 31,68 €  | 37,70 €  |
| 46a_072e | 1236733 | Foot rest for BMW R60/7-R100S from 1977-1984, left side 90mm   | 24,50 €  | 29,16 €  |
| 46a_077  | 1232948 | Spacer pipe rear fender for BMW R50/5, R60/5 and R75/5   | 3,57 €   | 4,25 €   |
| 46a_090  | 1232230 | Footrest holder passenger for BMW-models from year of manufacture 09/1973  | 24,79 €  | 29,50 €  |
| 46a_092a | 1230477 | Foot rest passenger, flip-up, round, Denfeld also for G/S models, right side   | 19,24 €  | 22,90 €  |
| 46a_092b | 1234661 | Foot rest passenger, flip-up, square shape, BMW  | 29,33 €  | 34,90 €  |
| 46a_092c | 1242700 | Foot rest passenger for BMW R80G/S, flip-up, left side   | 39,38 €  | 46,86 €  |
| 46a_093  | 1230766 | Rear mud flap R50/5-R100 >09/78  | 43,28 €  | 51,50 €  |
| 46a_093a | 2300480 | Rear mud flap R100 87-95, R65-R80RT 85-> w/mounts  | 15,55 €  | 18,50 €  |
| 46a_099  | 9901064 | Foot rest screw M10x35 1980->  | 1,26 €   | 1,50 €   |
| 46a_099a | 9901106 | Foot rest screw M10x50 1980->  | 1,47 €   | 1,75 €   |
| 46a_100a | 1242046 | Footrest rubber for BMW R45/R65 and R80-R100 until year of manufacture 08/1984, front  | 8,99 €   | 10,70 €  |
| 46a_100b | 1454887 | Footrest rubber for BMW R65-R100 from year of manufacture 09/1984  | 7,52 €   | 8,95 €   |
| 46a_100c | 2310401 | Footrest rubber for BMW R850-R1150, front also for RT, rear REMNANTS   | 7,14 €   | 8,50 €   |
| 46a_101a | 30219   | Side stand spring R50/5-R75/5  | 3,70 €   | 4,40 €   |
| 46a_101b | 31646   | Side stand spring R50/5-R100 09/71>09/80   | 4,12 €   | 4,90 €   |
| 46a_102  | 41597   | Side stand retainer R50/5->09/80 (at engine-bolt)  | 19,24 €  | 22,90 €  |
| 46a_104  | 1236859 | Side stand retainer /5   | 10,00 €  | 11,90 €  |
| 46a_105a | 41598   | Side stand R50/5-R100 --> 09/80  | 163,78 € | 194,90 € |
| 46a_105b | 41599   | Side stand R50/5->09/80 used, indicate type!   | 67,14 €  | 79,90 €  |
| 46a_105c | 1242949 | Side stand R 65 GS-80ST, ->87  | 92,35 €  | 109,90 € |
| 46a_105d | 1454673 | Side stand R65, RT, R80, RT, R100RT, RS '85->  | 109,16 € | 129,90 € |
| 46a_107  | 41170   | Side stand screw R80/7->, R45/65   | 0,76 €   | 0,90 €   |
| 46a_107a | 40465   | Side stand bolt R45/65   | 1,64 €   | 1,95 €   |
| 46a_108b | 2310721 | Side stand retainer 84->   | 1,07 €   | 1,27 €   |
| 46a_108c | 2311722 | Side stand spring holder at crashbar   | 1,64 €   | 1,95 €   |
| 46a_108c | 2302005 | Side stand spring-holder R45-100 80->  | 3,19 €   | 3,80 €   |
| 46a_109  | 1238290 | Side stand spring R45/65 ->80  | 14,20 €  | 16,90 €  |
| 46a_109a | 42335   | Side stand spring R60/7->, R45/65, 09/80->   | 3,28 €   | 3,90 €   |
| 46a_109b | 2310739 | Side stand spring R65-80RT, 85->   | 3,57 €   | 4,25 €   |
| 46a_110  | 2311720 | Side stand R80GS-R100PD, PD only, 88->   | 92,35 €  | 109,90 € |
| 46a_110b | 1454750 | Side stand complete with mounting parts for BMW R60/7-R100, year of manufacture 09/1980-09/1984 enforced                                       | 189,24 € | 225,20 € |
| 46a_113a | 34107   | Footrest rubber for BMW R25-R90/6, round/stiff   | 5,00 €   | 5,95 €   |
| 46a_113b | 1234660 | Footrest rubber from BMW R60/7 and up, square shape  | 13,40 €  | 15,95 €  |
| 46a_115a | 1230377 | Fork stabilizer for BMW R50/5, R60/5 and R75/5 ONLY BY CUSTOMER REQUIREMENT  | 150,42 € | 179,00 € |
| 46a_115b | 30377   | Fork stabilisator for BMW R50/5-R60/5/6/7-R75/5 used, checked  | 56,24 €  | 66,93 €  |
| 46a_116  | 1230798 | Spacer rubber for fender brace   | 0,97 €   | 1,15 €   |
| 46a_119  | 9910408 | Screw for front fender mount   | 0,76 €   | 0,90 €   |
| 46a_119  | 98170   | Screw 6x16 allen head, flat  | 0,25 €   | 0,30 €   |
| 46a_125  | 1234907 | Fork stabilisator for BMW R60/6-R100RS, years of manufacture 09/1973-09/1980   | 46,18 €  | 54,95 €  |
| 46a_125a | 1241660 | Fork stabilisator for BMW-models from year of manufacture 09/1980  | 32,69 €  | 38,90 €  |
| 46a_126a | 1234935 | Fender for BMW R50/5-R90/6, front (Mudguard) ground coat, original BMW new part  | 171,01 € | 203,50 € |
| 46a_126b | 1235071 | Fender for BMW R50/5-R60/7, front (Mudguard) painted and lined, extra long, "office model", original BMW new part, - please request for color! | 294,03 € | 349,90 € |
| 46a_126b | 4661935 | Fender for BMW R50/5-R90/6, front (Mudguard) ground coat, replica  | 125,97 € | 149,90 € |
| 46a_126c | 1234936 | Fender for BMW R50/5-R90/6, front (Mudguard) painted and lined, original BMW new part - please request for color!                              | 268,91 € | 320,00 € |
| 46a_126d | 1237062 | Fender for BMW R45, R65 and R80ST, front (Mudguard) Fender for BMW R45, R65 and R80ST, front (Mudguard)  | 138,57 € | 164,90 € |
| 46a_126e | 1234931 | Fender for BMW R90S and R60/7-R100RT, front (Mudguard), from year of manufacture 1976 ground coat, original BMW new part                       | 125,97 € | 149,90 € |
| 46a_136  | 0032975 | Fender brace for BMW R50/5-R90S, front bottom stainless steel  | 47,86 €  | 56,95 €  |
| 46a_142  | 98202   | Screw M8x25 Hexagon  | 0,17 €   | 0,20 €   |

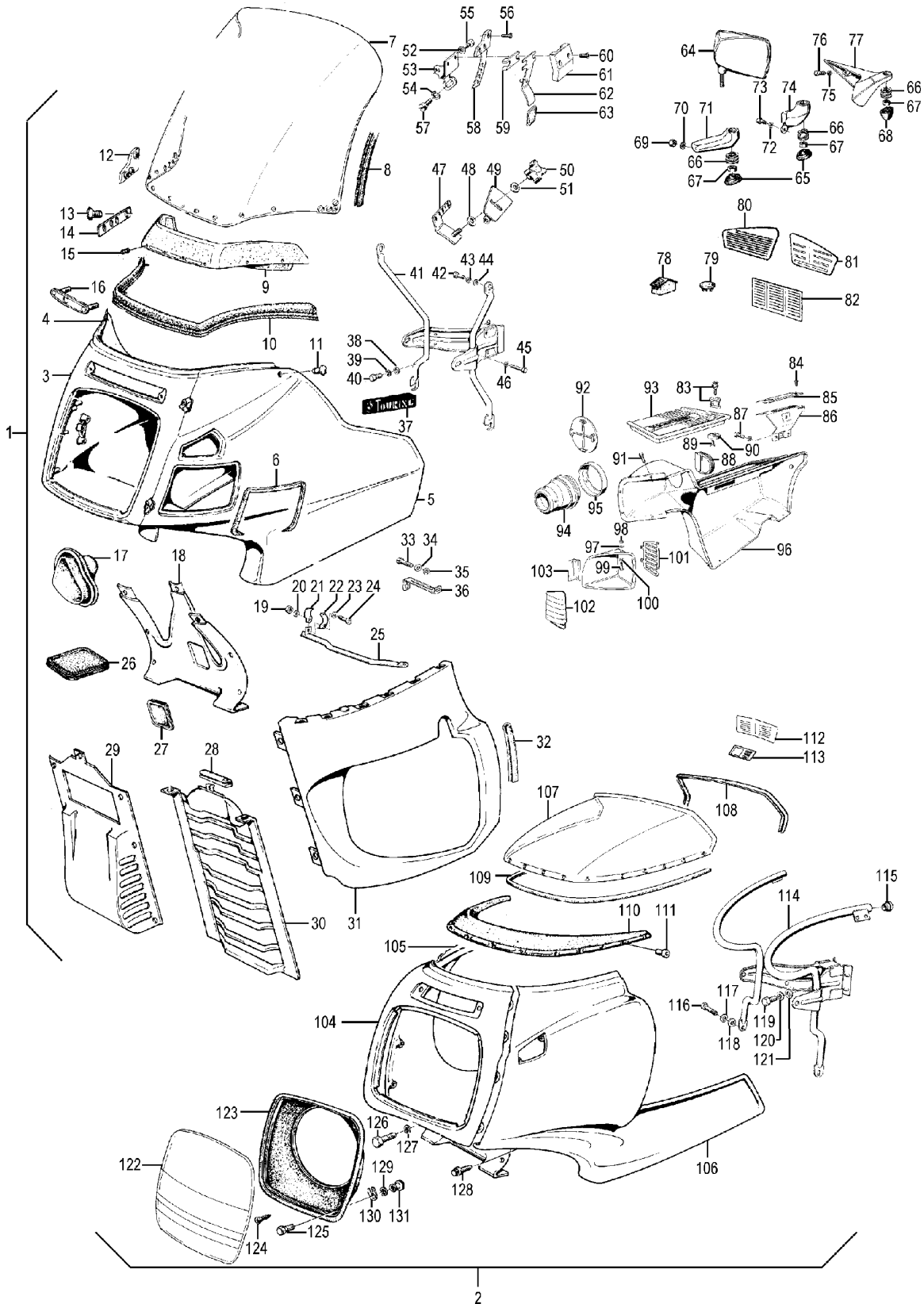


|          |         |   |          |          |
|----------|---------|---|----------|----------|
| 46a_143a | 1237249 | Carrier for Leather bag R65 LH  | 41,93 €  | 49,90 €  |
| 46a_143b | 1237250 | Carrier for Leather bag R65 RH  | 41,93 €  | 49,90 €  |
| 46a_149  | 1231263 | Knurled screw for leather bag for BMW R50/5 and higher  | 1,60 €   | 1,90 €   |
| 46a_150  | 7160123 | Leather bag for BMW R50/5-R100 until year of manufacture 09/1984 without holder, original BMW   | 214,20 € | 254,90 € |
| 46a_150a | 0003858 | Leather bag carrier set, R50/5-R75/5, black ONLY in connection with case holder for Krauser cases                                       | 92,35 €  | 109,90 € |
| 46a_150b | 0003920 | Leather bag fixing screw  | 6,68 €   | 7,95 €   |
| 46a_151c | 2300009 | Case-cover lock for older "Touring"- case   | 23,19 €  | 27,60 €  |
| 46a_153  | 1239455 | Emblem "BMW" f. Touring-case, adhesive  | 17,90 €  | 21,30 €  |
| 46a_154  | 2300008 | Bag carrier lock for older "Touring" case until year of manufacture 04/1989 new version, WITHOUT lock cylinder                          | 20,97 €  | 24,95 €  |
| 46a_154a | 2303680 | Lock cylinder for bag carrier lock articel nr. 2300008 with 2 keys  | 14,20 €  | 16,90 €  |
| 46a_155  | 1244529 | Yellow side reflector, fork + bags  | 6,30 €   | 7,50 €   |
| 46a_157  | 98157   | Screw M6x20 hexagon   | 0,13 €   | 0,15 €   |
| 46a_16   | 2025    | Steering lock cover for BMW R25/3-R27 and R50-R100/7  | 2,35 €   | 2,80 €   |
| 46a_160a | 1234597 | Bag carrier Set for BMW R50/5, R65/5 and R75/5, short wheel base chrome   | 165,21 € | 196,60 € |
| 46a_160b | 1239487 | Bag carrier Set for BMW R50/5-R100 until year of manufacture 09/1984, long wheel base chrome  | 153,36 € | 182,50 € |
| 46a_160c | 1246001 | Bag carrier Set for BMW R50/5-R100 until year of manufacture 09/1984, long wheel base chrome = "B" quality !!!                          | 83,95 €  | 99,90 €  |
| 46a_160d | 1239488 | Bag carrier Set for BMW R45 and R65 until year of manufacture 1985 Chrome, original BMW   | 192,44 € | 229,00 € |
| 46a_160e | 2300484 | Bag carrier for BMW R65-R80RT from 1985 and R100 from 1987, right side  | 78,07 €  | 92,90 €  |
| 46a_160f | 2303529 | Bag carrier Set (Integral-bags) for BMW R65-100RS from year of manufacture 1985   | 163,61 € | 194,70 € |
| 46a_160g | 650604  | Bag carrier Set with bridge for BMW R45 and R65 until year of manufacture 1985, Hepco & Becker chrome                                   | 235,21 € | 279,90 € |
| 46a_160g | 650614  | Bag carrier Set for BMW R80R and R100R, from year of manufacture 1992, Hepco & Becker black   | 130,03 € | 154,74 € |
| 46a_161  | 42332   | Side stand bushing R80, R45/65 79-80 in stand   | 12,10 €  | 14,40 €  |
| 46a_161a | 41169   | Side stand bushing R 45/65 ->79, in stand   | 3,28 €   | 3,90 €   |
| 46a_162  | 98179   | Screw M 6x45 hexagon  | 0,25 €   | 0,30 €   |
| 46a_168  | 9056251 | Luggage rack for BMW R65GS and R80GS, years of manufacture 1980-1986 black  | 86,47 €  | 102,90 € |
| 46a_168a | 1234693 | Luggage rack for BMW R50/5-R100, until year 09/1984, with bag carrier articel 1239487 or 1234597  | 95,72 €  | 113,90 € |
| 46a_168c | 2303693 | Top case Classic 30 liters  | 150,42 € | 179,00 € |
| 46a_168d | 6140101 | Baggage bridge for BMW R100R, Hepco & Becker black  | 93,96 €  | 111,81 € |
| 46a_16a  | 1453158 | Steering lock cover for BMW R65-R100RT from year of manufacture 09/1984   | 2,35 €   | 2,80 €   |
| 46a_173  | 35467   | Retaining plate for Krauser bag   | 9,41 €   | 11,20 €  |
| 46a_173b | 700024  | Bag carrier modification set for Hepco & Becker bags on-to BMW carriers   | 22,61 €  | 26,90 €  |
| 46a_174a | 90106   | Bag carrier lock Krauser K1   | 36,05 €  | 42,90 €  |
| 46a_174b | 700101  | Bag carrier lock, Hepco & Becker  | 25,13 €  | 29,90 €  |
| 46a_179a | 9500001 | Bag Set, Krauser-Classic für BMW R50/5-R100/7 until year of manufacture 09/1984 30 liter indent for passenger's hands, Improved version | 323,53 € | 385,00 € |
| 46a_179e | 1239269 | Inner bag for Classic case, left side   | 50,38 €  | 59,95 €  |
| 46a_179e | 9239269 | Inner bag for Classic case, right side  | 50,38 €  | 59,95 €  |
| 46a_179f | 70114   | Case mounting plate from Hepco & Becker   | 7,98 €   | 9,50 €   |
| 46a_179g | 10010   | Case hinge from Hepco & Becker for trunk 610.009  | 4,87 €   | 5,80 €   |



Group 46b Fairing





| <u>Picture-No.</u> | <u>Article-No.</u> | <u>Description</u>   | <u>Net</u> | <u>Gross</u> |
|--------------------|--------------------|--|------------|--------------|
| 46b_000            | 9062391            | Mounting set for windshield 2303902  | 9,00 €     | 10,71 €      |
| 46b_000            | 2325201            | Emblem covering for BMW-models until year of manufacture 1984                        | 6,89 €     | 8,20 €       |
| 46b_000            | 1239744            | Cap for rear mirror cap for BMW R100RT until year of manufacture 09/1980, right side | 0,95 €     | 1,13 €       |
| 46b_000            | 2303895            | Support for windshield for BMW R65GS-R80ST, R80GS-R100PD and R80GS Basic             | 4,41 €     | 5,25 €       |
| 46b_000            | 2315099            | Rubber bearing for BMW R80GS-R100PD, headlight cover                                 | 3,32 €     | 3,95 €       |
| 46b_000            | 1239743            | Cap for rear mirror cap for BMW R100RT until year of manufacture 09/1980, left side  | 0,95 €     | 1,13 €       |
| 46b_000            | 2303902            | Windshield R65GS-R100GS primed   | 106,89 €   | 127,20 €     |





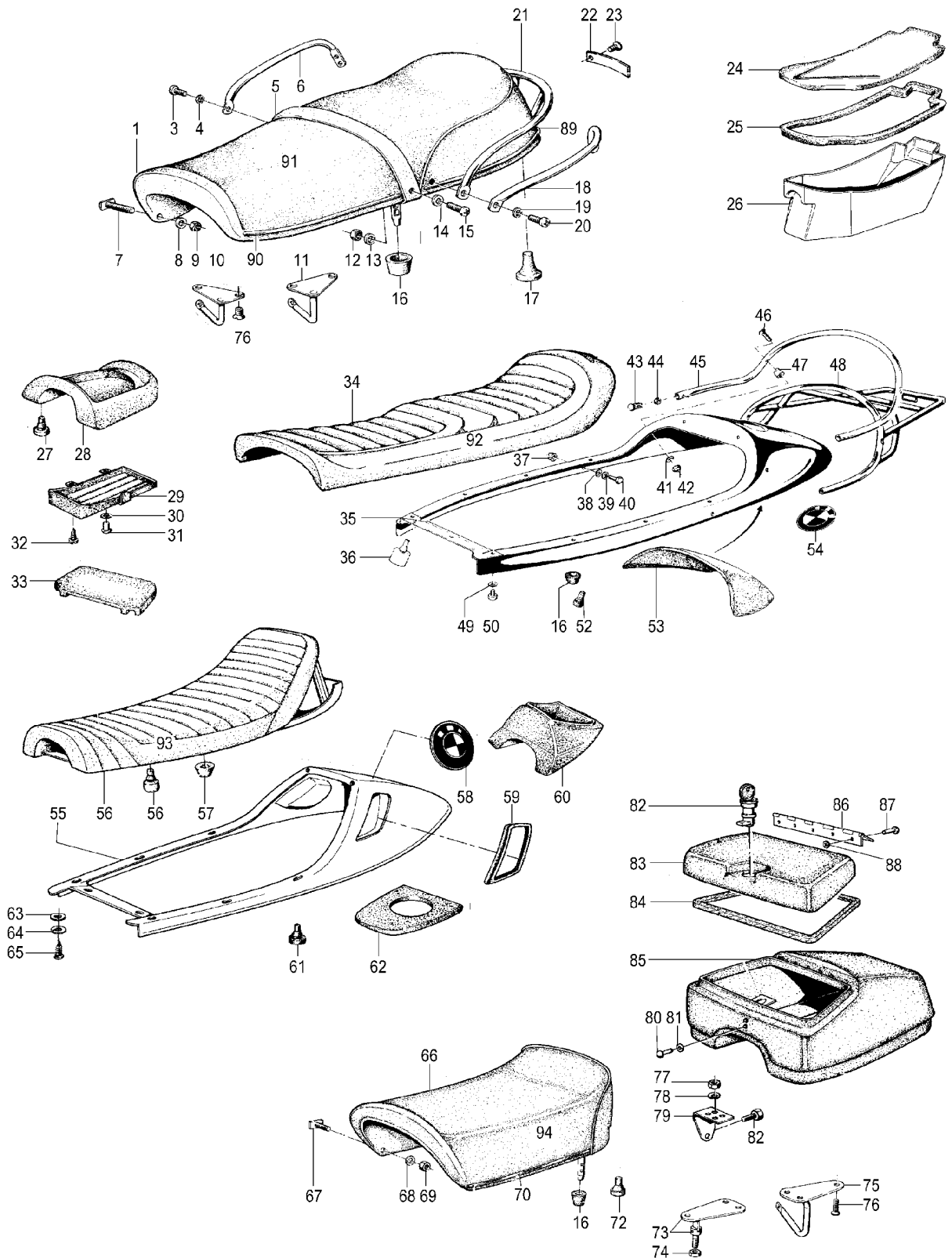
|          |         |  |          |          |
|----------|---------|--|----------|----------|
| 46b_006  | 1239021 | Gasket for air-inlet RT-fairing  | 6,68 €   | 7,95 €   |
| 46b_006a | 1238888 | Grate RT fairing, right  | 3,02 €   | 3,59 €   |
| 46b_006b | 1238887 | Grate RT fairing, left   | 3,02 €   | 3,59 €   |
| 46b_007a | 37774   | Windshield "RT" ->12/79, Original BMW  | 205,88 € | 245,00 € |
| 46b_007b | 52480   | Windshield RT 80->, original   | 278,99 € | 332,00 € |
| 46b_007c | 40622   | Windshield RT "Speed 7"  | 137,81 € | 163,99 € |
| 46b_008  | 02180   | RT windshield edge protection  | 7,65 €   | 9,10 €   |
| 46b_009  | 1237773 | Dashboard for BMW R65RT-R100RT fairing instruments not included                                    | 21,51 €  | 25,60 €  |
| 46b_010  | 1240649 | Windshield gasket, R45T-100RT  | 23,49 €  | 27,95 €  |
| 46b_012a | 1241027 | Windshield clamp-plate RT ->79, left   | 5,29 €   | 6,30 €   |
| 46b_012b | 1241028 | Windshield clamp-plate RT ->79, right  | 5,46 €   | 6,50 €   |
| 46b_015  | 49633   | Rivet for RT-fairing, brass, hollow  | 0,25 €   | 0,30 €   |
| 46b_016  | 1241031 | Windshield clamp-plate RT ->79, front  | 14,20 €  | 16,90 €  |
| 46b_017a | 35500   | Fairing leg boot for BMW RS-, RT-models, left side   | 14,96 €  | 17,80 €  |
| 46b_017b | 35501   | Fairing leg boot for BMW RS-, RT-models, right side  | 14,96 €  | 17,80 €  |
| 46b_027  | 1235513 | Gasket for BMW Models RS-, RT-fairing  | 2,94 €   | 3,50 €   |
| 46b_030  | 1238920 | Fairing center part (engine) grounded  | 52,52 €  | 62,50 €  |
| 46b_030a | 9902497 | Sheet metal screw cladding R100RS, RT, R45-R65   | 0,20 €   | 0,24 €   |
| 46b_037  | 1238975 | Sticker Touring golden, for fairing  | 14,24 €  | 16,95 €  |
| 46b_041  | 1452476 | Holder for fairing RT-Modells 09/84 >  | 107,33 € | 127,72 € |
| 46b_053  | 1241171 | Windshield base plate RT ->79, left  | 4,31 €   | 5,13 €   |
| 46b_053b | 1241172 | Windshield base plate RT ->79, right   | 4,31 €   | 5,13 €   |
| 46b_058a | 1241023 | Windshield holder RT ->79, left  | 25,13 €  | 29,90 €  |
| 46b_058b | 1241024 | Windshield holder RT ->79, right   | 25,13 €  | 29,90 €  |
| 46b_062  | 1239552 | Windshield adjustor-lever RT ->79, left  | 16,01 €  | 19,05 €  |
| 46b_064a | 2302173 | Rear Mirror for BMW R6RT-R100RT from year of manufacture 09/1984, left side convex                 | 38,15 €  | 45,40 €  |
| 46b_064b | 2302174 | Rear Mirror for BMW R6RT-R100RT from year of manufacture 09/1984, right side convex                | 38,15 €  | 45,40 €  |
| 46b_064c | 1241197 | Rear Mirror head for BMW R80RT-R100RS until year of manufacture 09/1984, left side convex          | 37,90 €  | 45,10 €  |
| 46b_064d | 1241198 | Rear Mirror head for BMW R80RT-R100RS until year of manufacture 09/1984, right side                | 37,90 €  | 45,10 €  |
| 46b_065a | 1235568 | Dust cap for Rear Mirror base for BMW R100RS for year of manufacture 09/1976-09/1984 and from 1987 | 1,60 €   | 1,90 €   |
| 46b_066  | 1235567 | Mounting spring for Rear Mirror for BMW all T-/RS-/RT-models                                       | 1,64 €   | 1,95 €   |
| 46b_067  | 98326   | Nut M 6, self-locking zincked  | 0,17 €   | 0,20 €   |
| 46b_068  | 1240627 | Cap for Rear Mirror for BMW T-/RT-Modells  | 3,11 €   | 3,70 €   |
| 46b_071a | 1236129 | Rear Mirror base for BMW R100RS for year of manufacture 09/1976-09/1984 and from 1987, left side   | 30,17 €  | 35,90 €  |
| 46b_071b | 1236130 | Rear Mirror base for BMW R100RS for year of manufacture 09/1976-09/1984 and from 1987, right side  | 30,17 €  | 35,90 €  |
| 46b_077a | 1240623 | Rear Mirror base for BMW R65RT-R100RS from year of manufacture 05/1980, left side                  | 25,17 €  | 29,95 €  |
| 46b_077b | 1240624 | Rear mirror base for BMW R45T-R100RT from year of manufacture 05/1980, right side                  | 25,17 €  | 29,95 €  |
| 46b_078  | 43644   | Hazard-relay cover   | 10,25 €  | 12,20 €  |
| 46b_079  | 1238546 | Plug for instrument carrier RT   | 2,48 €   | 2,95 €   |
| 46b_080  | 1239759 | Sticker Reifendruck for BMW RT (tire inflation pressure)   | 6,89 €   | 8,20 €   |
| 46b_081  | 1239760 | Sticker Motoröl for BMW R100RT and R80RT, instrument panel, right side                             | 6,89 €   | 8,20 €   |
| 46b_096a | 2307190 | Gasket fairing side-box for all BMW T- and RT-Models, upper  | 12,69 €  | 15,10 €  |
| 46b_096b | 1239107 | Gasket fairing side-box for all BMW RT-Models, lower   | 6,30 €   | 7,50 €   |
| 46b_100  | 1239143 | Air-intake RT fairing, left side for all BMW models years of manufacture 1976-1995                 | 39,41 €  | 46,90 €  |
| 46b_100  | 1239144 | Air-intake RT fairing, right side for all BMW models years of manufacture 1976-1995                | 39,41 €  | 46,90 €  |
| 46b_107a | 35414   | Windshield RS-fairing, original  | 117,23 € | 139,50 € |
| 46b_107b | 35415   | Windshield RS-fairing, "Speed 7"   | 83,95 €  | 99,90 €  |
| 46b_109  | 35507   | Rubber seal RS-fairing   | 2,44 €   | 2,90 €   |
| 46b_110  | 1235405 | Dashboard for BMW R100RS fairing instruments not included  | 27,31 €  | 32,50 €  |
| 46b_111  | 49632   | Rivet for S+RS-fairing, brass, hollow  | 0,38 €   | 0,45 €   |
| 46b_122  | 39110   | Lens, headlight faring R100RS, RT  | 45,80 €  | 54,50 €  |
| 46b_133a | 1233732 | Cockpit "S" und "CS" - Fairing with dashboard, primed Original BMW                                 | 281,43 € | 334,90 € |
| 46b_133b | 1233187 | Cockpit "S" - Dashboard  | 26,64 €  | 31,70 €  |
| 46b_134a | 1235499 | Cockpit "S" - Windshield   | 115,04 € | 136,90 € |
| 46b_134b | 35499   | Cockpit "S" - windshield, Speed 7  | 71,85 €  | 85,50 €  |
| 46b_134b | 9935499 | Windshield S-KRAUSER   | 64,54 €  | 76,80 €  |
| 46b_135  | 1233189 | Rubber seal S-fairing  | 2,48 €   | 2,95 €   |
| 46b_137  | 33166   | Windshield rivet rubber washer   | 1,09 €   | 1,30 €   |
| 46b_138  | 33909   | Windshield rivet, plastic, S,RS,RT   | 1,05 €   | 1,25 €   |



|          |         |   |         |          |
|----------|---------|---|---------|----------|
| 46b_139  | 1233191 | Sticker for BMW Cockpit S, /6-R90S 1973/1974, right side,<br>Ölsorten Motor *oil grade motor                              | 5,00 €  | 5,95 €   |
| 46b_139b | 1236236 | Sticker for BMW Cockpit S and RS, /7-R100 from 1975, right side,<br>Ölsorten Motor *oil grade motor                       | 5,00 €  | 5,95 €   |
| 46b_140  | 1236235 | Sticker for BMW Cockpit S, /6-R90S 1973/1974, left side, Zündkerzen –<br>Reifendruck spark plug - tire inflation pressure | 5,00 €  | 5,95 €   |
| 46b_140  | 1453085 | Sticker for BMW Cockpit R100S and R100RS from year of manufacture 1975,<br>left side, Reifendruck tire inflation          | 5,00 €  | 5,95 €   |
| 46b_141  | 9900191 | Cockpit "S" - Nut M 6, self-locking   | 0,17 €  | 0,20 €   |
| 46b_143  | 1240625 | Cockpit "S" - mounting bracket, black   | 7,31 €  | 8,70 €   |
| 46b_145  | 98156   | Screw M6x10 hexagon   | 0,13 €  | 0,15 €   |
| 46b_146  | 1233253 | Cockpit "S" - Bushing for mounting strut  | 1,39 €  | 1,65 €   |
| 46b_147  | 1240651 | Additional instrument mounting flap, black  | 5,63 €  | 6,70 €   |
| 46b_149  | 1233200 | Cockpit "S" - grommet for mounting strut  | 1,43 €  | 1,70 €   |
| 46b_150  | 1240650 | Cockpit "S" - Strud, black  | 25,13 € | 29,90 €  |
| 46b_151  | 98155   | Screw M6x16 hexagon   | 0,13 €  | 0,15 €   |
| 46b_152  | 1233941 | Indicator light holder for BMW R50/5-R100/7, front, chromed   | 33,53 € | 39,90 €  |
| 46b_152  | 1233943 | Cockpit "S" - Indicator light holder, front long version  | 89,83 € | 106,90 € |
| 46b_153  | 1233693 | Cockpit "S" - mounting ring   | 5,63 €  | 6,70 €   |
| 46b_154  | 1234406 | Cockpit "S" - mounting excentric rubber grommet   | 11,26 € | 13,40 €  |
| 46b_156  | 1233186 | Cockpit "S" - gasket for lamp   | 15,88 € | 18,90 €  |
| 46b_157  | 1234405 | Cockpit "S" - mounting cap  | 6,22 €  | 7,40 €   |
| 46b_158  | 1234407 | Cockpit "S" - mounting rubber grommet   | 1,05 €  | 1,25 €   |
| 46b_159  | 1234406 | Cockpit "S" - mounting excentric rubber grommet   | 11,26 € | 13,40 €  |
| 46b_160  | 1233693 | Cockpit "S" - mounting ring   | 5,63 €  | 6,70 €   |
| 46b_166  | 9796055 | Mounting guidelines windshield for BMW R60/7-R100 until year of manufacture<br>09/1984 in GERMANY                         | 2,80 €  | 3,00 €   |



**Group 52 Seat**



| <b>Picture-No.</b> | <b>Article-No.</b> | <b>Description</b>  | <b>Net</b> | <b>Gross</b> |
|--------------------|--------------------|---|------------|--------------|
| 52_000             | 2307313            | Dual seat R80GS-R100PD black 88->   | 344,45 €   | 409,90 €     |
| 52_000             | 1852347            | Bump stop rubber for seat, tank and batterycover                                      | 5,00 €     | 5,95 €       |
| 52_000             | 115026             | Dual seat with bump for BMW R50/5-R90/6, LWB Giulliarì replica                        | 192,44 €   | 229,00 €     |
| 52_000             | 34318              | Seat holder clip R50/5-R100, R45/65   | 0,50 €     | 0,60 €       |
| 52_000             | 1452274            | Cover for rear part seat bench for BMW R100RT, RS, R80 and R80RS                      | 3,39 €     | 4,03 €       |
| 52_000             | 50252              | Dual seat with bump for BMW R50/5, R60/5 and R75/5, shortwing base Giulliarì replica  | 192,44 €   | 229,00 €     |
| 52_000             | 115025             | Dual seat with bump for BMW R60/7-R100/7 and R45-R100, years of manufacture 1981-1995 | 208,82 €   | 248,50 €     |
| 52_001a            | 33962              | Dual seat R50/5-R75/5 SWB ->09/71, without pattern (two chrome grips)                 | 201,68 €   | 240,00 €     |



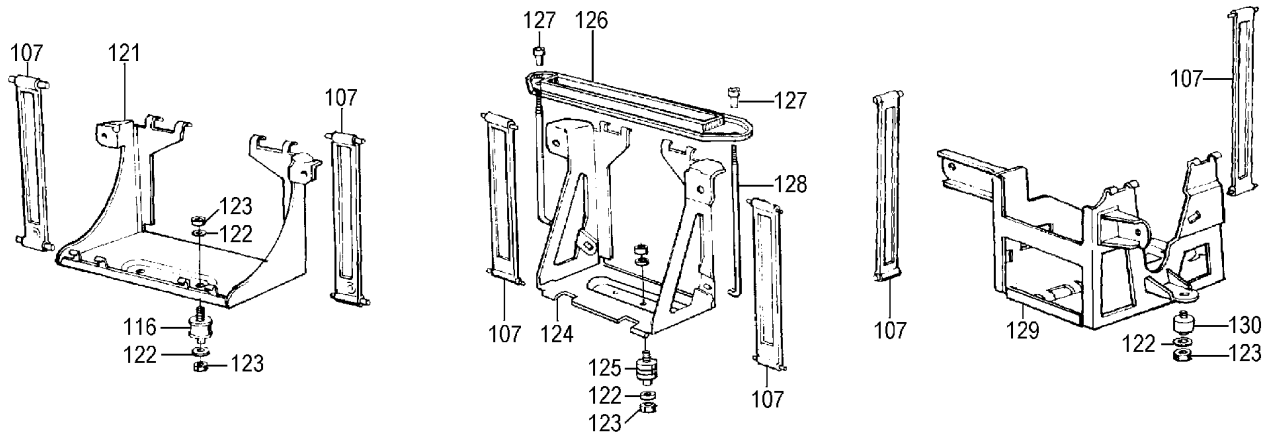
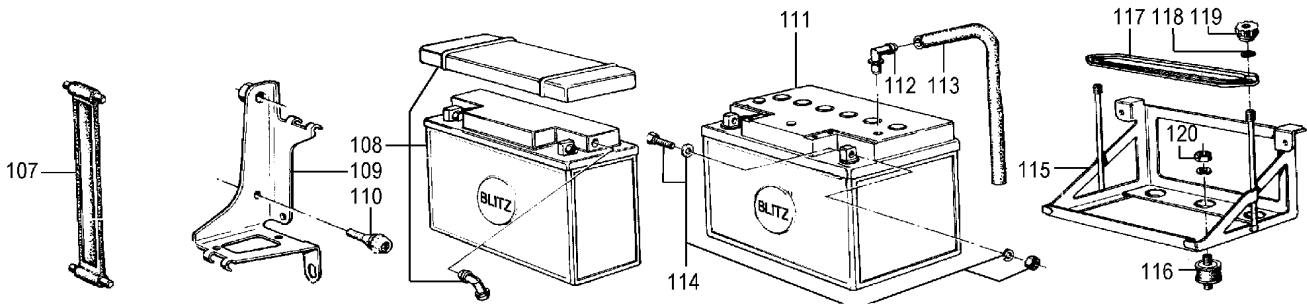
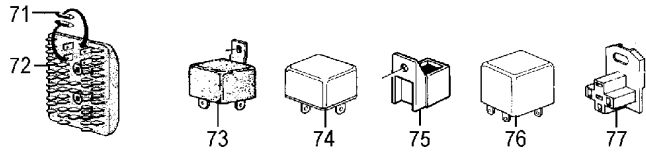
|          |         |  |          |          |
|----------|---------|--|----------|----------|
| 52_001b  | 33963   | Dual seat R50/5-R75/5 SWB 09/71 stripes lenghtways w/ one-piece chrome rail                      | 192,44 € | 229,00 € |
| 52_001c  | 30197   | Dual seat R50/5-R75/5 SWB, cross pattern, w/one- piece chrome rail, Original BMW                 | 352,94 € | 420,00 € |
| 52_001d  | 39965   | Seat R50/5-R75/5 LWB, w/chrome rail lenghtways pattern, reproduction                             | 192,44 € | 229,00 € |
| 52_001e  | 33960   | Dual seat R50/5-R90/6 LWB w/rail, cross pattern Original BMW                                     | 474,79 € | 565,00 € |
| 52_001f  | 33961   | Dual seat R60/6-R90/6 w/rail, cross pattern reproduction   | 192,44 € | 229,00 € |
| 52_001g  | 33964   | Dual seat R60/7-R100/7 with rail, cross pattern Replica  | 192,44 € | 229,00 € |
| 52_001h  | 37832   | Dual seat R60/7-R100/7 w/rail, cross pattern Original BMW  | 339,41 € | 403,90 € |
| 52_001i  | 71004   | Seat cover R50/5-R75/5 SWB, no pattern, ->09/71  | 45,04 €  | 53,60 €  |
| 52_001j  | 5003    | Seat cover R50/5-R75/5 SWB 09/71->, lengthways pattern   | 45,04 €  | 53,60 €  |
| 52_001k  | 71005   | Seat cover R50/5-R90/6 LWB, lengthway pattern  | 45,04 €  | 53,60 €  |
| 52_001l  | 71003   | Seat cover R50/5-R90/6 LWB, cross pattern, black piping  | 45,04 €  | 53,60 €  |
| 52_001ma | 71006   | Seat cover R60/7-R100/7  | 49,41 €  | 58,80 €  |
| 52_003   | 9907639 | Screw for seat chrome hoop   | 0,92 €   | 1,10 €   |
| 52_006   | 30501   | Co-driver's grip, seat /R50/5-R75/5 ->09/71, set only for repro-seat                             | 33,57 €  | 39,95 €  |
| 52_006b  | 1452420 | Seat-grip R65-100RS 86->   | 25,13 €  | 29,90 €  |
| 52_007a  | 99117   | Screw-set dual-seat trim   | 10,88 €  | 12,95 €  |
| 52_010   | 30314   | Seat holder bracket R50/5-R90S , front   | 19,24 €  | 22,90 €  |
| 52_010   | 2530716 | Seat holder bracket R60/7-R100/7, front  | 14,20 €  | 16,90 €  |
| 52_011   | 36351   | Seat holder bracket R50/5-R100 RT, RS, rear  | 19,24 €  | 22,90 €  |
| 52_011a  | 1452425 | Seat holder bracket R65-R100RT, 85-95 front and rear   | 13,36 €  | 15,90 €  |
| 52_016   | 30313   | Bumber for seat lock pin /5->  | 4,62 €   | 5,50 €   |
| 52_016a  | 30511   | Seat lock pin, /5->, with bumber   | 10,00 €  | 11,90 €  |
| 52_017   | 1236128 | Seat rubber plug 10mm, R45-65, R60/7-R100RT R80R, R100R  | 1,81 €   | 2,15 €   |
| 52_017   | 1230319 | Seat rubber plug R50/5-90S, 5mm  | 2,10 €   | 2,50 €   |
| 52_020   | 9907639 | Screw for seat chrome hoop   | 0,92 €   | 1,10 €   |
| 52_021a  | 32033   | Seat bar R50/5-R75/5 SWB, chrome   | 56,05 €  | 66,70 €  |
| 52_021b  | 32966   | Seat bar R50/5-R100/7 LWB, chrome  | 56,05 €  | 66,70 €  |
| 52_022   | 1238917 | Seat emblem R100RT   | 9,66 €   | 11,50 €  |
| 52_022a  | 37764   | ID-Plate R75/5 double seat   | 18,95 €  | 22,55 €  |
| 52_022a  | 1232645 | ID-Plate R90/6 double seat   | 25,17 €  | 29,95 €  |
| 52_022a  | 2301936 | Seat badge R80RT   | 9,66 €   | 11,50 €  |
| 52_022a  | 2301295 | Badge R100CS seat  | 25,13 €  | 29,90 €  |
| 52_024   | 40500   | Tool tray cover R60/7-R100   | 54,87 €  | 65,30 €  |
| 52_025a  | 32685   | Tool-box rubber gasket for BMW R50/5-R90S for long-wheel-base and short-wheel-base (able to cut) | 6,81 €   | 8,10 €   |
| 52_025b  | 32683   | Tool box cover rubber gasket R60/7-R100  | 8,36 €   | 9,95 €   |
| 52_025c  | 39963   | Tool-box cover gasket R45/65   | 2,77 €   | 3,30 €   |
| 52_026a  | 30396   | Tool box R50/5-R75/5 LWB+SWB   | 33,19 €  | 39,50 €  |
| 52_026b  | 32640   | Tool box R60/6-R100/7 LWB, Original BMW  | 22,44 €  | 26,70 €  |
| 52_026c  | 1236175 | Tool-box R45/65 - 09/80  | 29,33 €  | 34,90 €  |
| 52_026c  | 1242167 | Tool-box R45/65 09/80->09/84   | 50,34 €  | 59,90 €  |
| 52_034a  | 37834   | Seat R100S, RS, RT ->09/84, cross pattern, black   | 184,79 € | 219,90 € |
| 52_034b  | 1237834 | Seat R100S, RS, RT original BMW ->09/84  | 268,82 € | 319,90 € |
| 52_034d  | 01365   | Dual seat R90S   | 184,79 € | 219,90 € |
| 52_034e  | 71007   | Seat cover R100S, RS, RT also R90S "late" Version  | 45,04 €  | 53,60 €  |
| 52_034f  | 71008   | Seat cover R90S  | 45,04 €  | 53,60 €  |
| 52_034g  | 1452293 | Seat cover R65-80RT 85>, R100RT 87>  | 49,41 €  | 58,80 €  |
| 52_034h  | 2307337 | Seat cover R80GS yellow/black  | 52,65 €  | 62,65 €  |
| 52_034l  | 2324830 | Seat R100R black, original   | 337,73 € | 401,90 € |
| 52_034i  | 30455   | Seat cover R45/65 78-80  | 45,04 €  | 53,60 €  |
| 52_034j  | 1452298 | Dual seat R65-80 85->, R100 87->, original BMW   | 344,45 € | 409,90 € |
| 52_034k  | 1453102 | Dual seat R65GS-80GS/ST, black   | 344,45 € | 409,90 € |
| 52_034kk | 1452530 | Dual seat R65GS-80GS/ST, black Replica   | 151,18 € | 179,90 € |
| 52_034l  | 0071012 | Seat cover R80ST + G/S, black, with pattern  | 49,41 €  | 58,80 €  |
| 52_034l  | 0071013 | Seat cover R45/65 81-84, black   | 45,04 €  | 53,60 €  |
| 52_034m  | 0071011 | Seat cover R80 G/S, black, without pattern   | 49,41 €  | 58,80 €  |
| 52_035   | 1232446 | Seat frame, R90S-100RT, ->84, unpainted  | 214,20 € | 254,90 € |
| 52_036   | 1232904 | Seat support rubber plug 90S-100RT, 16mm R45/65  | 2,27 €   | 2,70 €   |
| 52_037   | 1232459 | Washer for seat handle/luggage carrier   | 0,63 €   | 0,75 €   |
| 52_040   | 98155   | Screw M6x16 hexagon  | 0,13 €   | 0,15 €   |
| 52_040b  | 98153   | Screw M 6x16 hexagon stainless   | 0,25 €   | 0,30 €   |
| 52_042   | 98326   | Nut M 6, self-locking zincked  | 0,17 €   | 0,20 €   |
| 52_045a  | 1232456 | Seat bar, R90S, chrome   | 34,87 €  | 41,50 €  |
| 52_045b  | 1234635 | Seat bar, R80-100RT, black   | 28,15 €  | 33,50 €  |
| 52_046   | 98163   | Screw M 6x35 stainless   | 0,50 €   | 0,60 €   |

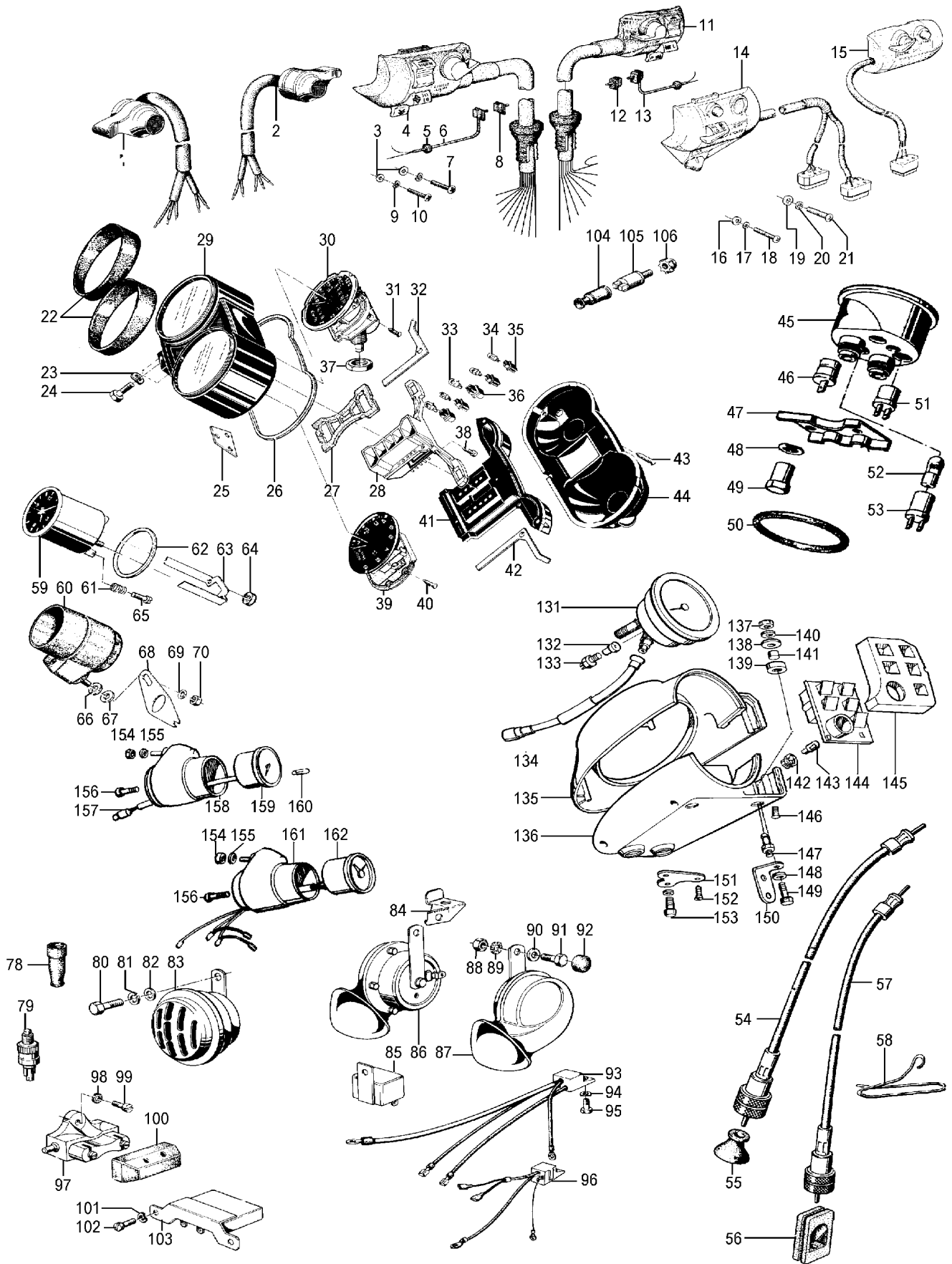


|          |         |   |          |          |
|----------|---------|---|----------|----------|
| 52_047   | 1232458 | Bushing for seat handle, luggage rack   | 2,48 €   | 2,95 €   |
| 52_048a  | 1239300 | Luggage rack for BMW R90S, R80RT, R100S/RT/CS/RS chromed  | 94,96 €  | 113,00 € |
| 52_048b  | 1240128 | Luggage rack for BMW R90S, R80RT, R100S/RT/CS/RS black  | 73,28 €  | 87,20 €  |
| 52_050   | 9907639 | Screw for seat chrome hoop  | 0,92 €   | 1,10 €   |
| 52_053   | 1233313 | Gasket for seat frame R90S-100RT  | 8,32 €   | 9,90 €   |
| 52_053a  | 1237104 | Duck tail, seat R45/65 ->80   | 20,08 €  | 23,90 €  |
| 52_053b  | 1242360 | Duck tail, seat R45/65 80->   | 41,81 €  | 49,75 €  |
| 52_054a  | 1236257 | Emblem seat rear for BMW R45 and R65 until 09/1984, R65-R1150RT from 09/1984 Ø=60mm, Alu, stick-on label                      | 10,84 €  | 12,90 €  |
| 52_054b  | 33551   | Emblem seat R90S  | 10,67 €  | 12,70 €  |
| 52_055   | 2301695 | Seat frame, R100RS mono-seat, unpainted   | 245,42 € | 292,05 € |
| 52_056   | 1237307 | Single seat cover R100RS up to 09/1984 black  | 45,04 €  | 53,60 €  |
| 52_056bb | 0037835 | Mono-seat R100RS black, Reproduction  | 242,86 € | 289,00 € |
| 52_056c  | 1237788 | Mono-seat R 100RS creme white, original   | 222,41 € | 264,67 € |
| 52_056d  | 1240818 | Dual seat R45/65 78->80 black. Fits 81->84 models in combination w/78->80 tail plastics                                       | 192,44 € | 229,00 € |
| 52_056dd | 1242160 | Dual seat R45/65 81-84 black Replica  | 192,44 € | 229,00 € |
| 52_056e  | 452277  | Duck-tail for seat R 65/80 85->, R100 87->  | 103,53 € | 123,20 € |
| 52_056f  | 452298  | Dual seat R65-80 85->, R100 87->  | 162,94 € | 193,90 € |
| 52_060a  | 1240376 | Tool compartement for seat tail for BMW R45 and R65 until year of manufacture 09/1980   | 7,48 €   | 8,90 €   |
| 52_060b  | 1242172 | Tool compartement for seat tail for BMW R45 and R65 from Sep 1980 until Sep 1984  | 33,07 €  | 39,35 €  |
| 52_061   | 1236128 | Seat rubber plug 10mm, R45-65, R60/7-R100RT R80R, R100R   | 1,81 €   | 2,15 €   |
| 52_061   | 1230319 | Seat rubber plug R50/5-90S, 5mm   | 2,10 €   | 2,50 €   |
| 52_062   | 1234427 | Tool-box cover gasket 100RS (mono-seat)   | 16,72 €  | 19,90 €  |
| 52_066a  | 30676   | Solo seat for BMW R50/5-R90/6 until year of manufacture 09/1975, LWB original BMW   | 191,81 € | 228,25 € |
| 52_066b  | 5060755 | Solo seat for BMW R50/5-R75/5, white cord, flat cover Reproduction  | 126,01 € | 149,95 € |
| 52_066c  | 30677   | Solo seat for BMW R60/6-R90/6, LWB Reproduction   | 126,01 € | 149,95 € |
| 52_066d  | 37833   | Solo seat for BMW R60/7-R100 and R45, R65 Reproduction  | 130,25 € | 155,00 € |
| 52_066e  | 0071009 | Single Seat Cover /6, german police, black  | 45,04 €  | 53,60 €  |
| 52_066f  | 0071010 | Single Seat Cover /7, german police, black  | 45,04 €  | 53,60 €  |
| 52_066gs | 2307335 | Solo seat for BMW R80, R100GS and R80, R100R from year 1988, black with rearack Reproduction                                  | 226,05 € | 269,00 € |
| 52_066h  | 2352530 | Solo seat for BMW R80G/S, ST and R65GS, black, ONLY WITH rear rack 1252530 Reproduction                                       | 159,66 € | 190,00 € |
| 52_066h  | 1252530 | Luggage rack for BMW R80G/S, R80ST and R65GS, black, for solo seat articel 2352530 Reproduction                               | 83,19 €  | 99,00 €  |
| 52_072   | 1236128 | Seat rubber plug 10mm, R45-65, R60/7-R100RT R80R, R100R   | 1,81 €   | 2,15 €   |
| 52_072   | 1230319 | Seat rubber plug R50/5-90S, 5mm   | 2,10 €   | 2,50 €   |
| 52_073   | 42704   | Solo seat hinge, front for solo seat  | 16,72 €  | 19,90 €  |
| 52_074   | 42706   | Nut for single seat hinge, front see article 42704  | 3,53 €   | 4,20 €   |
| 52_076   | 00811   | Seat holder screw /5-R100, sunk-head  | 0,34 €   | 0,40 €   |
| 52_085   | 1234539 | Radiobox R50/5-R100, Set  | 276,47 € | 329,00 € |
| 52_088   | 1238680 | Cover fairing for BMW T- and RT-Models  | 1,60 €   | 1,90 €   |
| 52_090a  | 31321   | Seat-trim R50/5, R60/5 and R75/5, short-wheeel-base (SWB), only for version two chrome grips aluminium, incl. screws and nuts | 41,93 €  | 49,90 €  |
| 52_090e  | 31320   | Seat-trim R50/5, R60/5, R75/5, R60/6, R75/6, and R90/6, long-wheel-base (LWB) aluminum, incl. screws and nuts                 | 38,57 €  | 45,90 €  |
| 52_092   | 1238679 | Cover air-intake fairing for BMW T- and RT-Models   | 1,85 €   | 2,20 €   |



Group 61 Electric system





**Picture-No. Article-No. Description**

|        |         |   |
|--------|---------|---|
| 61_0   | 98157   | Screw M6x20 hexagon                                 |
| 61_000 | 1243186 | Cable set, tail light for BMW R60/6-R100 and R100RT |
| 61_000 | 2316081 | Heating grip retrofit kit R80R, R100R               |
| 61_000 | 270060  | Isolating tube, 6mm price per meter                 |
| 61_000 | 270080  | Isolating tube, 8mm price per meter                 |

|  | <b>Net</b> | <b>Gross</b> |
|--|------------|--------------|
|  | 0,13 €     | 0,15 €       |
|  | 4,00 €     | 4,76 €       |
|  | 145,45 €   | 173,09 €     |
|  | 0,77 €     | 0,92 €       |
|  | 0,97 €     | 1,15 €       |



|         |         |   |          |          |
|---------|---------|---|----------|----------|
| 61_000  | 2300473 | Female plug kit complete  | 34,87 €  | 41,50 €  |
| 61_000  | 98682   | Isolating tube (shrink-to-fit), 12mm price per meter  | 1,23 €   | 1,46 €   |
| 61_000  | 2315221 | Heating grip LH R850R-R1100RT, RS   | 44,08 €  | 52,46 €  |
| 61_000  | 1358107 | Wiring harness, neutralswitch for BMW R60/6-R100 until year of manufacture 09/1977  | 10,84 €  | 12,90 €  |
| 61_000  | 1459305 | Hazard-flasher relay R80R-1100R   | 28,53 €  | 33,95 €  |
| 61_000  | 1244392 | Indicator relay for BMW R45-R1100R from year of manufacture 09/1990 with hazard-warning signal flasher                            | 30,59 €  | 36,40 €  |
| 61_000  | 98681   | Isolating tube (shrink-to-fit), 10mm price per meter  | 1,07 €   | 1,27 €   |
| 61_000  | 98683   | Isolating tube (shrink-to-fit) 3,2mm  | 4,62 €   | 5,50 €   |
| 61_000  | 98679   | Isolating tube (shrink-to-fit), 4mm price per meter   | 0,46 €   | 0,55 €   |
| 61_000  | 1361706 | Heating grip push-on contact R80GS-R1100RT  | 0,77 €   | 0,92 €   |
| 61_000  | 1459982 | Heating grip switch R850R-R1100RT   | 17,63 €  | 20,98 €  |
| 61_000  | 43393   | Fuse box housing R45/65 >09/80  | 4,45 €   | 5,30 €   |
| 61_000  | 99503   | Bulb 12 Volt, 18 Watt, festoon-bulb   | 1,85 €   | 2,20 €   |
| 61_000  | 2315222 | Heating grip RH R850-R1100RT, RS  | 48,49 €  | 57,70 €  |
| 61_000  | 1391630 | Female plug R80-R100 ->01/91  | 18,29 €  | 21,77 €  |
| 61_000  | 98680   | Isolating tube (shrink-to-fit), 5mm price per meter   | 0,61 €   | 0,73 €   |
| 61_000  | 9062462 | Indicator light button repair kit for BMW motorcycles from year of manufacture 09/1980  | 3,82 €   | 4,55 €   |
| 61_000  | 5009    | Indicator relay 12V, electronic, for bar-end indic. - Ochsenaugen   | 17,65 €  | 21,00 €  |
| 61_000  | 1459319 | Ignition lock plastic washer R65-R100R Mystic   | 4,62 €   | 5,50 €   |
| 61_000  | 1243216 | Battery cable plus for BMW R60/7-R100 from year of manufacture 09/1978  | 14,54 €  | 17,30 €  |
| 61_000  | 1452341 | Battery carrier for BMW R65-80RT from year of manufacture 1985 and BMW R100 from year of manufacture 1987                         | 18,40 €  | 21,90 €  |
| 61_000  | 1244038 | Fuse box R45/65, 09/80 >>   | 24,79 €  | 29,50 €  |
| 61_000  | 1353489 | Cable set, indicator controll for BMW R50/5, R60/5 and R75/5  | 8,49 €   | 10,10 €  |
| 61_000  | 1238004 | Holder Voltmeter for BMW R45 and R65, right side  | 2,94 €   | 3,50 €   |
| 61_000  | 1238003 | Holder Voltmeter for BMW R45, R45/N and R65, left side  | 3,78 €   | 4,50 €   |
| 61_000  | 1243523 | Wiring harness, neutralswitch for BMW R45-R100RT, all models years of manufacture 09/1977-09/1994                                 | 18,40 €  | 21,90 €  |
| 61_000  | 1243583 | Flashing indicator for BMW R45-R65LS, left side   | 10,17 €  | 12,10 €  |
| 61_000  | 1243584 | Flashing indicator for BMW R45-R65LS, right side  | 10,17 €  | 12,10 €  |
| 61_000a | 1354674 | Wiring harness for BMW R50/5. R60/5 and R75/5   | 76,89 €  | 91,50 €  |
| 61_000b | 1358178 | Wiring harness for BMW R60/6-R90S from year of manufacture 09/1974  | 210,00 € | 249,90 € |
| 61_000c | 1357457 | Wiring Harness for BMW R60/6-R90S, years of manufacture 09/1973-09/1974   | 210,00 € | 249,90 € |
| 61_000d | 1243194 | Wiring harness for BMW R60/7-R100/7 and R100S until year of manufacture 09/1977   | 217,65 € | 259,00 € |
| 61_000e | 1243522 | Wiring harness for BMW R80, R100RT and R100RS, years of manufacture 09/1977-09/1980   | 217,65 € | 259,00 € |
| 61_000f | 1243521 | Wiring harness for BMW R60/7-R100T and R100S, years of manufacture 09/1977-09/1980  | 217,65 € | 259,00 € |
| 61_000g | 1243564 | Wiring harness for BMW R45 and R65 until year of manufacture 08/1980, frame   | 94,87 €  | 112,90 € |
| 61_000g | 1244091 | Wiring harness for BMW R45, R65, R65LS and R80ST from year of manufacture 09/1980, frame  | 117,56 € | 139,90 € |
| 61_000h | 1244830 | Wiring harness for BMW R80GS Basic  | 266,30 € | 316,90 € |
| 61_000h | 1244425 | Wiring harness for BMW R65RT SF and R80RT, years of manufacture 1985-1991 and for BMW R100RT/R100RS from year of manufacture 1987 | 217,65 € | 259,00 € |
| 61_000i | 1244098 | Wiring harness for BMW R80RT, R100RS and R100RT, years of manufacture 09/1980-09/1984   | 217,65 € | 259,00 € |
| 61_000j | 1244464 | Grommet for wire harness/engine 09/78> ( 2 holes )  | 2,10 €   | 2,50 €   |
| 61_000j | 1244093 | Wiring harness for BMW R80/7, R80, R100T and R100CS, years of manufacture 09/1980-09/1984   | 217,65 € | 259,00 € |
| 61_000k | 1244421 | Wiring harness for BMW R65GS and R80G/S, years of manufacture 09/1980-09/1987   | 200,84 € | 239,00 € |
| 61_001a | 51220   | Lightswitch for BMW R50/5-R90S with Cable until year of manufacture 09/1974   | 67,14 €  | 79,90 €  |
| 61_002a | 1351219 | Direction indicator switch for BMW R50/5-R90S until year of manufacture 09/1974 with cabel  | 67,14 €  | 79,90 €  |
| 61_004a | 43247   | Lightswitch for R60/6-R100 years of manufacture 09/1974-09/1978 low bar, cable length 230mm                                       | 105,46 € | 125,50 € |
| 61_004b | 43248   | Lightswitch for BMW R60/6-R100, left side, years of manufacture 09/1974-09/1978 cable length 380mm                                | 134,03 € | 159,50 € |
| 61_004c | 43731   | Lightswitch for BMW R60/6-R100, left side, years of manufacture 09/1974-09/1978 cable length 520mm                                | 134,03 € | 159,50 € |
| 61_004d | 1243597 | Lightswitch for BMW R60/7-R100, left side, years of manufacture 09/1974-09/1978 steady light, cable length 230mm                  | 77,23 €  | 91,90 €  |
| 61_004e | 1243598 | Lightswitch for BMW R60/7-R100, left side, years of manufacture 09/1974-09/1978 steady light, cable length 380mm                  | 71,39 €  | 84,95 €  |
| 61_004f | 1243732 | Lightswitch for BMW R60/7-R100, left side, years of manufacture 09/1974-09/1978 steady light, cable length 520mm                  | 94,74 €  | 112,74 € |
| 61_006  | 43496   | Switch clutch/brake R60/6-R100 from 10/74 >   | 22,27 €  | 26,50 €  |
| 61_011b | 1243246 | Direction indicator switch for BMW R60/6-R100 from year of manufacture 09/1974-09/1978, right side cable length: 380mm            | 125,97 € | 149,90 € |





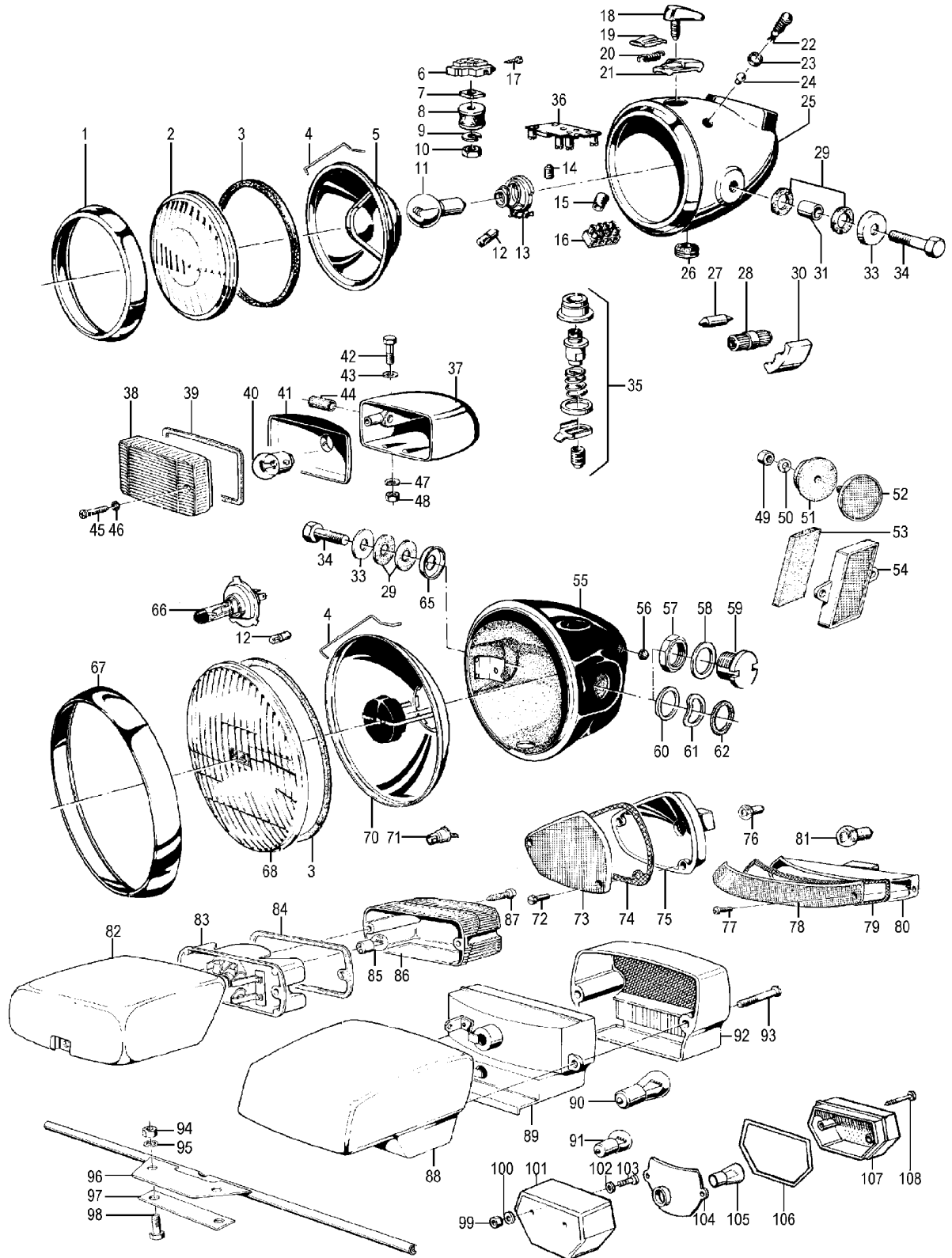
|          |         |   |          |          |
|----------|---------|---|----------|----------|
| 61_011c  | 1243730 | Direction indicator switch for BMW R60/6-R100 from year of manufacture 09/1974-09/1978 cable length: 520mm, RT-fairing  | 136,22 € | 162,10 € |
| 61_011d  | 2305232 | Switch-combination right for BMW R80/R100R, R80/R100GS from year of manufacture 09/1990 with light switch   | 131,85 € | 156,90 € |
| 61_011d  | 2305231 | Switch-combination left for BMW - please see details with steady light  | 136,64 € | 162,60 € |
| 61_013   | 53985   | Grommet lightswitch/shell /5->  | 0,97 €   | 1,15 €   |
| 61_014a  | 1243864 | Switch-combination left for BMW - please see details cable: 230mm, including headlight switch   | 83,61 €  | 99,50 €  |
| 61_014b  | 1243865 | Switch-combination left for BMW - please see details cable: 380mm, including headlight switch   | 88,15 €  | 104,90 € |
| 61_014c  | 1243866 | Switch-combination left for high handlebar for BMW - please see details cable: 520mm, including headlight switch  | 79,75 €  | 94,90 €  |
| 61_014d  | 1243814 | Switch-combination, 78->, 230mm, (perm. headl.) .   | 69,66 €  | 82,90 €  |
| 61_014e  | 1243815 | Switch-combination, 78->, 380mm, (perm. headl.) .   | 50,00 €  | 59,50 €  |
| 61_014f  | 1243816 | Switch-combination left for high handlebar for BMW - please see details cable: 520mm, with steady light   | 81,93 €  | 97,50 €  |
| 61_014g  | 44420   | Switch-combination left for BMW - please see details  | 88,57 €  | 105,40 € |
| 61_014h  | 1244410 | Switch-combination left for BMW - please see details including headlight switch   | 133,36 € | 158,70 € |
| 61_014i  | 1244418 | Switch-combination, R 65RT-100RT, 85-> with permanent headlight   | 117,56 € | 139,90 € |
| 61_015a  | 1243811 | Switch-combination right for BMW R60/7-R100RS from year of manufacture 09/1978 cable: 230mm, REMNANTS!!!  | 66,30 €  | 78,90 €  |
| 61_015b  | 1243812 | Switch-combination right for BMW R60/7-R100RS from year of manufacture 09/1978 for high bars/RS-fairing, 380mm  | 88,15 €  | 104,90 € |
| 61_015c  | 1243813 | Switch-combination right for BMW R60/7-R100RS from year of manufacture 09/1978 for high bars/RS-fairing, 520mm  | 83,95 €  | 99,90 €  |
| 61_015d  | 1244417 | Switch-combination right for BMW R45/R65-R80RT from year of manufacture 09/1984 GS-/ST-/PD from year of manufacture 09/1979 and R100 from year of manufacture 09/1986 | 91,26 €  | 108,60 € |
| 61_022   | 1356676 | Rubber ring for instruments for BMW R60/6-R100RT  | 10,84 €  | 12,90 €  |
| 61_026   | 1356671 | Rubber seal for instrument housing from BMW R60/6 and up  | 1,64 €   | 1,95 €   |
| 61_029c  | 43431   | Instrument combination for BMW R60/7, years of manufacture 09/1977-09/1980, W:0.819 revolution counter  | 347,02 € | 412,95 € |
| 61_029f  | 1356664 | Instrument housing for BMW R60/6-R100RS, until year of manufacture 09/1977  | 176,47 € | 210,00 € |
| 61_029g  | 1243436 | Instrument housing for BMW R60/6-R100, years of manufacture 09/1977-09/1980   | 167,98 € | 199,90 € |
| 61_029h  | 1244779 | Instrument housing for BMW R80/7-R100 from year of manufacture 09/1980  | 167,98 € | 199,90 € |
| 61_029i  | 1236896 | Handlebar crash plate for BMW R45/R65 and R80ST, upper part   | 256,26 € | 304,95 € |
| 61_030e  | 1358115 | Speedo R60/6, R60/7 W=0.819, 32:9   | 175,42 € | 208,75 € |
| 61_030h  | 1244771 | Speedo R80R-R100R, W:0,715  | 264,62 € | 314,90 € |
| 61_030l  | 1358126 | Speedo MPH R90S, R100S, R100RS -> 09/77, W=1,078  | 268,91 € | 320,00 € |
| 61_033a  | 1350062 | Bulb 12 Volt, 2 Watt, glass-socket  | 1,09 €   | 1,30 €   |
| 61_033b  | 9978372 | Bulb 12 Volt, 3 Watt, glass-socket  | 1,09 €   | 1,30 €   |
| 61_034   | 9978375 | Bulb 12Volt, 1,2 Watt, glass-socket   | 0,84 €   | 1,00 €   |
| 61_035   | 1244643 | Bulb holder for BMW from R60/6 for 1,2 Watt bulb  | 4,45 €   | 5,30 €   |
| 61_036   | 1356714 | Bulb holder for BMW from R60/6 for 3 Watt glas-socket bulb  | 2,10 €   | 2,50 €   |
| 61_037b  | 43112   | Securing nut for revolution counter   | 0,97 €   | 1,15 €   |
| 61_039e  | 1244784 | Revolution counter for BMW R80R-R100R, PD, Mystic   | 236,90 € | 281,91 € |
| 61_044a  | 1356674 | Cover instrument housing for BMW R60/6-R100, lower  | 29,37 €  | 34,95 €  |
| 61_044b  | 1236297 | Cover instrument housing, for BMW R45-R65LS, R80ST, years of manufacture 1978-09/1984, lower  | 21,81 €  | 25,95 €  |
| 61_045a  | 1243323 | Speedo R45, R45T, W: 0,895  | 265,00 € | 315,35 € |
| 61_045b  | 43322   | Speedo R45N W: 0.978  | 256,30 € | 305,00 € |
| 61_045c  | 52621   | Speedo for BMW R50/5 with rpm-counter, 20-200 KM/H Ratio: 0.800   | 238,57 € | 283,90 € |
| 61_045cc | 5156601 | Speedo for BMW R50/5 with rpm-counter, 10-120 MPH (Miles) Ratio: 1.280  | 238,57 € | 283,90 € |
| 61_045d  | 50566   | Speedo for BMW R60/5 with rpm-counter, 20-200 KM/H Ratio: 0.760   | 238,57 € | 283,90 € |
| 61_045dd | 5056601 | Speedo for BMW R60/5 with rpm-counter, 10-120 MPH (Miles) Ratio: 1.215  | 238,57 € | 283,90 € |
| 61_045e  | 53676   | Speedo for BMW R75/5 with rpm-counter, 20-200 KM/H Ratio: 0.715   | 238,57 € | 283,90 € |
| 61_045ee | 5367601 | Speedo for BMW R75/5 with rpm-counter, 10-120 MPH (Miles) Ratio: 1,150  | 238,57 € | 283,90 € |
| 61_045g  | 80091   | Chrome rim for speedo for BMW R50/5-R75/5 with rubber gasket  | 16,72 €  | 19,90 €  |
| 61_049   | 50574   | Nut for speedometer bracket for BMW R50/5, R60/5 and R75/5  | 0,67 €   | 0,80 €   |
| 61_050   | 56593   | Gasket ring from BMW R50/5 and up (O-Ring) between speedo and shell   | 2,44 €   | 2,90 €   |
| 61_051   | 8680131 | Bulb holder double-pole for BMW R50/5-R75/5, socket BA9S (charge indicator)   | 4,12 €   | 4,90 €   |
| 61_053   | 8081725 | Bulb holder double-pole for BMW R50/5-R75/5, socket BA7S  | 4,03 €   | 4,80 €   |
| 61_054a  | 1016    | Speedo cable R26/27, R50-R69S, R50/5-> small fixture diameter   | 11,26 €  | 13,40 €  |
| 61_054b  | 57731   | Speedo cable R60/6->, R80G/S, R45/65  | 12,52 €  | 14,90 €  |
| 61_054c  | 2315115 | Speedo cable R80GS/PD, R100GS/PD, 87->>   | 58,74 €  | 69,90 €  |
| 61_055   | 80160   | Grommet for speedocable/gearbox   | 1,43 €   | 1,70 €   |
| 61_056   | 51554   | Grommet for rev counter cable R50/5-R90S  | 7,14 €   | 8,50 €   |
| 61_057   | 1357732 | Revolution counter cable for BMW R50/5-R90/6  | 25,13 €  | 29,90 €  |
| 61_062   | 1243100 | Gasket ring for clock/volt meter  | 2,44 €   | 2,90 €   |



|         |         |  |          |          |
|---------|---------|--|----------|----------|
| 61_064  | 1459257 | Battery carrier bridge twist-nut for BMW R65-R100RT from year of manufacture 09/1984 and additional instruments R50/5-R100                       | 1,51 €   | 1,80 €   |
| 61_068  | 1240651 | Additional instrument mounting flap, black   | 5,63 €   | 6,70 €   |
| 61_072a | 1357593 | Contact plate lamp for BMW R60/6-R90S until year of manufacture 09/1974  | 58,32 €  | 69,40 €  |
| 61_074a | 58193   | Headlight switch relay R60/6-R100 ->1979 (w/out Diode)   | 12,69 €  | 15,10 €  |
| 61_074b | 43049   | Relay for light R60/7-R100 1979-> (w/diode)  | 44,45 €  | 52,90 €  |
| 61_074c | 243086  | Switch relay   | 16,72 €  | 19,90 €  |
| 61_076a | 1352941 | Indicator relay 12V for BMW R50/5-R75/5  | 31,68 €  | 37,70 €  |
| 61_076b | 1358194 | Indicator relay 12V, electronic for BMW R60/6-R100, manufactured from 09/1974-09/1980  | 68,91 €  | 82,00 €  |
| 61_076c | 2306014 | Indicator relay for BMW R80GS-R100R Mystic from year of manufacture 1991   | 79,75 €  | 94,90 €  |
| 61_078  | 44071   | Grommet brake light switch, /7-> front   | 1,60 €   | 1,90 €   |
| 61_083  | 1243486 | Horn 12 Volt, Ø 120mm, from BMW 50/5 and up chromed  | 14,20 €  | 16,90 €  |
| 61_083b | 2072    | Horn 12 Volt, Ø 100mm chromed  | 12,77 €  | 15,20 €  |
| 61_085  | 1373585 | Horn relay R100RT ->09/78  | 22,27 €  | 26,50 €  |
| 61_097  | 6005    | Brake light switch, years of manufacture 09/1954-09/1980, rear   | 5,76 €   | 6,85 €   |
| 61_097a | 1459747 | Brake light switch BMW R80GS-R100R from year of manufacture 1988, rear also for BMW R850GS-R1200C  | 30,67 €  | 36,50 €  |
| 61_097a | 8070184 | Mounting plate for brake light switch article nr. 6005 for BMW R24-R25/3 and R51/2   | 12,56 €  | 14,95 €  |
| 61_100  | 8005    | Cover cap for Brake light switch, rear   | 1,51 €   | 1,80 €   |
| 61_103  | 1352425 | Contact plug for horn / brakelight switch for BMW R50/5  | 4,16 €   | 4,95 €   |
| 61_104  | 51646   | Grommet brake light switch /5 front  | 3,28 €   | 3,90 €   |
| 61_105a | 1351662 | Brake light switch, years of manufacture 09/1969-09/1974, front, with grommet and starter switch for BMW R60/6 until year of manufacture 09/1974 | 51,68 €  | 61,50 €  |
| 61_105b | 1244070 | Brake light switch, year of manufacture 09/1976-09/1984, front NOT FOR BMW R45 and R65 from year of manufacture 09/1980-09/1984                  | 8,36 €   | 9,95 €   |
| 61_105c | 1459569 | Brake light switch for BMW-Models from year of manufacture 09/1984, front and for BMW R65-R80RT from year of manufacture 09/1984, rear           | 23,49 €  | 27,95 €  |
| 61_107A | 1230392 | Battery strap for BMW R50/5-R75/5 until year of manufacture 08/1973  | 6,30 €   | 7,50 €   |
| 61_107B | 1243562 | Battery strap for BMW R45/R65-R80RT, R80/R100R and R65GS-R100GS  | 10,42 €  | 12,40 €  |
| 61_108b | 59014   | Battery 12V, for BMW R50/5-R75/5, short wheel base (for own filling with acid) - (white)   | 60,88 €  | 72,45 €  |
| 61_108b | 1459014 | Battery 12V, for BMW R50/5-R75/5, short wheel base maintenance-free – No shipment outside the European Union possible!                           | 72,69 €  | 86,50 €  |
| 61_108b | 1059014 | Battery 12V, for BMW R45 and R65 (for own filling with acid) - (white)   | 60,88 €  | 72,45 €  |
| 61_108b | 1159014 | Battery 12V, for BMW R80G/S and R80ST (for own filling with acid) - (white)  | 60,88 €  | 72,45 €  |
| 61_108b | 1559014 | Battery 12V, for BMW R45, R65 and R80 maintenance-free - No shipment outside the European Union possible!  | 72,69 €  | 86,50 €  |
| 61_108b | 1659014 | Battery 12V, for BMW R80G/S and R80ST maintenance-free – No shipment outside the European Union possible!  | 72,69 €  | 86,50 €  |
| 61_108d | 3024    | Battery 12V, for 12V-conversation, 12N5.5-3B (for own filling with acid) - (white), REMNANTS   | 29,33 €  | 34,90 €  |
| 61_108d | 0050512 | Battery 12V, for BMW R27-conversation, R50-R69S maintenance-free – No shipment outside the European Union possible!                              | 39,87 €  | 47,45 €  |
| 61_109a | 1230772 | Battery carrier for BMW R50/5, R60/5 and R75/5, right side, short wing base  | 42,27 €  | 50,30 €  |
| 61_109b | 1230771 | Battery carrier for BMW R50/5, R60/5 and R75/5, left side, Short wing base   | 42,27 €  | 50,30 €  |
| 61_110  | 1231084 | Rubber buffer for battery bracket for BMW from R50/5 and higher, SWB and headlight from R60/6 and higher   | 2,02 €   | 2,40 €   |
| 61_111b | 94025   | Battery 12V, for R50/5-R100, long wheel base (for own filling with acid) - (white)   | 64,71 €  | 77,00 €  |
| 61_115  | 1233076 | Battery carrier for BMW R60/6-R100, Long wheel base  | 107,73 € | 128,20 € |
| 61_116a | 33028   | Silent bloc battery holder->09/77  | 6,64 €   | 7,90 €   |
| 61_116b | 43530   | Silent bloc battery holder 77->  | 10,84 €  | 12,90 €  |
| 61_117  | 1233073 | Battery carrier bridge for BMW R60/6-R100 until year of manufacture 08/1983  | 23,95 €  | 28,50 €  |
| 61_119  | 1459257 | Battery carrier bridge twist-nut for BMW R65-R100RT from year of manufacture 09/1984 and additional instruments R50/5-R100                       | 1,51 €   | 1,80 €   |
| 61_121  | 1243302 | Battery carrier for BMW R45, R65, R65GS, R80G/S, ST  | 33,78 €  | 40,20 €  |
| 61_126  | 1452240 | Battery carrier bridge for BMW R65-R80RT from year of manufacture 1985 and BMW R100 from year of manufacture 1987                                | 18,40 €  | 21,90 €  |
| 61_127  | 1459257 | Battery carrier bridge twist-nut for BMW R65-R100RT from year of manufacture 09/1984 and additional instruments R50/5-R100                       | 1,51 €   | 1,80 €   |
| 61_128  | 1452342 | Battery carrier spoke for BMW R65-80RT from year of manufacture 1985 and R100 from year of manufacture 1987                                      | 1,85 €   | 2,20 €   |
| 61_131a | 44381   | Speedo R80 ST 200 KM W=0.773   | 415,38 € | 494,30 € |
| 61_135  | 1244042 | Front housing headlamp, R65GS-R100GS >09/89  | 75,55 €  | 89,90 €  |
| 61_145  | 1244754 | Control lense cover for BMW R65GS-R100PD REMNANTS  | 29,33 €  | 34,90 €  |
| 61_150a | 1244133 | Instrument holder for BMW R65 and R80G/S, upper, left  | 6,64 €   | 7,90 €   |
| 61_150b | 1244134 | Instrument holder for BMW R65 and R80G/S, upper, right   | 6,64 €   | 7,90 €   |
| 61_151  | 1244055 | Instrument holder for BMW R65 and R80G/S, lower  | 3,32 €   | 3,95 €   |
| 61_157  | 1357591 | Wiring harness, auxiliary instruments for BMW R90S, R100S and R100CS with bulb-holder  | 41,01 €  | 48,80 €  |
| 61_157b | 1357703 | Wiring harness, voltmeter for BMW R60/6-R100/7 and RT with bulb-holder   | 28,53 €  | 33,95 €  |
| 61_159b | 44668   | Voltmeter 09/77->  | 106,30 € | 126,50 € |



Group 63 Light



| <u>Picture-No.</u> | <u>Article-No.</u> | <u>Description</u>   | <u>Net</u> | <u>Gross</u> |
|--------------------|--------------------|--|------------|--------------|
| 63_0               | 270060             | Isolating tube, 6mm, price per meter                         | 0,77 €     | 0,92 €       |
| 63_00              | 1052               | Headlight guard, R24-R75/5 chromed                           | 16,72 €    | 19,90 €      |
| 63_000             | 2315655            | Indicator light holder for BMW R80GS-R100PD, rear            | 7,98 €     | 9,50 €       |
| 63_000             | 9907988            | Headlight screw R65GS-R100GS/PD                              | 0,42 €     | 0,50 €       |
| 63_000             | 1244147            | Gasket Ring R65GS-80GS                                       | 6,68 €     | 7,95 €       |
| 63_000             | 1244024            | Headlight carrier R65GS-R100GS                               | 9,69 €     | 11,53 €      |
| 63_000             | 1244023            | Headlight ring R65GS-80GS                                    | 16,50 €    | 19,64 €      |
| 63_000             | 98682              | Isolating tube (shrink-to-fit), 12mm, price per meter        | 1,23 €     | 1,46 €       |
| 63_000             | 54159              | Bar end indicator, polished aluminium with 6V bulb and cable | 24,54 €    | 29,20 €      |
| 63_000             | 98681              | Isolating tube (shrink-to-fit), 10mm, price per meter        | 1,07 €     | 1,27 €       |



|          |         |   |          |          |
|----------|---------|---|----------|----------|
| 63_000   | 98102   | Screw M3x12 for bar end indicator lens  | 0,08 €   | 0,10 €   |
| 63_000   | 89001   | Bulb 12 Volt, 102/2 Watt, socket BA7S e.g. speedo   | 0,97 €   | 1,15 €   |
| 63_000   | 98683   | Isolating tube (shrink-to-fit) 3,2mm  | 4,62 €   | 5,50 €   |
| 63_000   | 1453521 | Lock cover ring R80R-R100R/Mystic and R80GS-R100PD  | 0,50 €   | 0,60 €   |
| 63_000   | 98679   | Isolating tube (shrink-to-fit), 4mm, price per meter  | 0,46 €   | 0,55 €   |
| 63_000   | 78304   | Bulb 12 Volt, 5 Watt, festoon-bulb  | 1,85 €   | 2,20 €   |
| 63_000   | 78305   | Bulb 12 Volt, 10 Watt, festoon-bulb   | 1,85 €   | 2,20 €   |
| 63_000   | 99505   | Bulb 12 Volt, 5 Watt e.g. license plate illumination  | 1,39 €   | 1,65 €   |
| 63_000   | 9907910 | Sheet metal nut, 3,9x9,5mm, for headlight for BMW R65GS-R100GS  | 0,97 €   | 1,15 €   |
| 63_000   | 00111   | Chrome rim 130mm, Hella-headlight p.e. XT 500, NSU  | 16,81 €  | 20,00 €  |
| 63_000   | 2006    | Bar end indicator, aluminium, Hella   | 45,29 €  | 53,90 €  |
| 63_000   | 2011    | Bar end indicator lens "E" approved   | 6,81 €   | 8,10 €   |
| 63_000   | 98680   | Isolating tube (shrink-to-fit), 5mm, price per meter  | 0,61 €   | 0,73 €   |
| 63_000   | 99501   | Bulb 12 Volt, 2 Watt, socket BA9S   | 0,97 €   | 1,15 €   |
| 63_000   | 1244764 | Headlight bracket R80R, R100R black   | 71,55 €  | 85,14 €  |
| 63_000   | 1350492 | Rubber grommet taillight for BMW R50/5-R90S   | 1,93 €   | 2,30 €   |
| 63_001   | 1351651 | Chrom rim for BMW R50/5-R75/5, Headlight  | 21,43 €  | 25,50 €  |
| 63_001b  | 20014   | Direction indicator switch universal with clamp, chromed  | 10,76 €  | 12,80 €  |
| 63_002a  | 11013   | Lens, headlight 1948-1973, H4, ZEV, R45/65 > 09/84  | 10,00 €  | 11,90 €  |
| 63_002b  | 12013   | Lens, headlight 1948-1973, H4, Bosch R45/65 > 09/84   | 22,65 €  | 26,95 €  |
| 63_002b  | 8007    | Lens, headlight R24-69S   | 24,33 €  | 28,95 €  |
| 63_002c  | 43542   | H4 headlight lense /5, R45/65, R80ST, left traffic  | 93,19 €  | 110,90 € |
| 63_002C  | 1352557 | Headlight lens /5 for left traffic  | 41,93 €  | 49,90 €  |
| 63_002C  | 5603004 | Lens, headlight R24-69S, BOSCH Old-Style  | 24,33 €  | 28,95 €  |
| 63_002D  | 1351650 | Headlight lens /5, Bilux, Bosch   | 33,53 €  | 39,90 €  |
| 63_003   | 1007    | Headlight lens gasket   | 1,85 €   | 2,20 €   |
| 63_003a  | 1356403 | Headlight lens gasket R60/6 - R100  | 6,64 €   | 7,90 €   |
| 63_004   | 48181   | Headlight clip  | 0,50 €   | 0,60 €   |
| 63_005a  | 78001   | Reflector for halogen headlight R50/5-R75/5   | 25,80 €  | 30,70 €  |
| 63_005b  | 6011    | H4-Headlight insert for BMW R24-R69S, R50/5-R75/5, R45 and R65, "plastic-reflector", WITHOUT bulb with bulb-holder and spring | 28,49 €  | 33,90 €  |
| 63_005bb | 6316011 | H4-Headlight insert for BMW R24-R69S, R50/5-R75/5, R45 and R65, "metall-reflector", WITHOUT bulb with bulb-holder and spring  | 28,49 €  | 33,90 €  |
| 63_006   | 08018   | H4-plug base, also as indicator plug base for BMW R50-R100  | 6,22 €   | 7,40 €   |
| 63_008   | 56139   | Silent block flasher relais /5 in headlight   | 1,64 €   | 1,95 €   |
| 63_010e  | 1233070 | Spoke wheel R50/5-R60/6, front, complete  | 520,00 € | 618,80 € |
| 63_011a  | 64185   | Bulb 12 Volt, 35/35 Watt, socket BA20D  | 6,30 €   | 7,50 €   |
| 63_012   | 99504   | Bulb 12 Volt, 4 Watt e.g. position light  | 0,97 €   | 1,15 €   |
| 63_012a  | 78242   | Bulb 6 Volt, 3 Watt e.g. sidelight  | 0,97 €   | 1,15 €   |
| 63_012b  | 2301607 | Indicator light holder for BMW R50/5-R100/7, front, black   | 27,65 €  | 32,90 €  |
| 63_016a  | 50508   | Wiring connector 12pc. 6.0  | 1,85 €   | 2,20 €   |
| 63_016a  | 50507   | Wiring connector 12pc. 2.5  | 1,68 €   | 2,00 €   |
| 63_018a  | 8014    | Ignition key R25/3-R75/5  | 6,01 €   | 7,15 €   |
| 63_018b  | 48119   | Ignition key, metal, R25/3-R75/5  | 5,80 €   | 6,90 €   |
| 63_019   | 9013    | Ignition cover slide R25/3-R75/5  | 3,70 €   | 4,40 €   |
| 63_020   | 48191   | Spring for ignition cover slide   | 1,05 €   | 1,25 €   |
| 63_021a  | 6013    | Cover for ignition switch set complete with spring and sliding cover  | 15,29 €  | 18,20 €  |
| 63_021b  | 48189   | Cover for ignition switch, single   | 10,97 €  | 13,05 €  |
| 63_022a  | 56987   | Indicator control lens /5, green  | 9,66 €   | 11,50 €  |
| 63_022b  | 1356986 | Indicator control lens /5, yellow   | 9,66 €   | 11,50 €  |
| 63_022d  | 48129   | Neutral controll lens, green > '54  | 9,66 €   | 11,50 €  |
| 63_025   | 56278   | Headlight complete, R50/5-75/5, w/out speedometer   | 630,25 € | 750,00 € |
| 63_026   | 19007   | Grommet, speedocable/headlight R24-69S  | 1,64 €   | 1,95 €   |
| 63_026b  | 43476   | Grommet, wiring harness/shell /5  | 0,97 €   | 1,15 €   |
| 63_026c  | 53985   | Grommet lightswitch/shell /5->  | 0,92 €   | 1,10 €   |
| 63_027   | 98611   | Fuse 8A, white or black   | 0,25 €   | 0,30 €   |
| 63_027   | 0098611 | Fuse 8A, black, 16mm  | 0,25 €   | 0,30 €   |
| 63_028   | 98620   | Fuse unit for bakelit-fuses   | 2,48 €   | 2,95 €   |
| 63_029   | 8008    | Headlight rubber washer ( you need 4 pcs for one Headlight ! )  | 1,26 €   | 1,50 €   |
| 63_031   | 50138   | Spacer rubber for headlight ear   | 1,68 €   | 2,00 €   |
| 63_033   | 50134   | Headlight washer, polished stainless steel  | 3,32 €   | 3,95 €   |
| 63_034   | 13661   | Headlight bolt, polished stainless steel  | 2,52 €   | 3,00 €   |
| 63_035   | 1013    | Ignition lock assembly R25-75/5   | 37,73 €  | 44,90 €  |
| 63_036   | 48173   | Terminal plate R50/5-R75/5  | 97,14 €  | 115,60 € |
| 63_037a  | 50495   | Indicator light housing from BMW R50/5-R100 fits for refector and accessory shoe aluminum polished                            | 5,80 €   | 6,90 €   |



|            |         |  |          |          |
|------------|---------|--|----------|----------|
| 63_037b    | 1350494 | Indicator light for BMW R50/5, R60/5 and R75/5 aluminum polished   | 33,53 €  | 39,90 €  |
| 63_037bb   | 1350495 | Indicator light for BMW R50/5, R60/5 and R75/5 aluminium polished, with "E" -mark                              | 35,29 €  | 42,00 €  |
| 63_037c    | 1243442 | Indicator light for BMW R60/6-R100R plastic  | 19,96 €  | 23,75 €  |
| 63_037ca   | 1243447 | Indicator light for BMW R60/6-R100R plastic, with "E"-mark   | 20,97 €  | 24,95 €  |
| 63_037cb   | 1243444 | Indicator light housing for BMW R60/6-R100 fits for reflector and accessory shoe black, plastic                | 4,96 €   | 5,90 €   |
| 63_037d    | 1350642 | Cable set, indicators for BMW R50/5-R75/5, front   | 12,56 €  | 14,95 €  |
| 63_037e    | 1357588 | Wiring harness for indicator for BMW R60/6-R90S, front   | 7,98 €   | 9,50 €   |
| 63_037f    | 1243206 | Cable set, indicators for BMW R60/7-R100/7, front  | 20,88 €  | 24,85 €  |
| 63_038     | 1243445 | Indicator light lens for BMW R50/5-R100 with "E"-mark  | 4,96 €   | 5,90 €   |
| 63_038     | 1358183 | Indicator light lens for BMW from R50/5 original BMW   | 8,32 €   | 9,90 €   |
| 63_038a    | 2243445 | Indicator light lens for BMW R50/5-R100  | 3,49 €   | 4,15 €   |
| 63_039     | 1351407 | Gasket for indicator light lens for BMW R50/5-R100, original BMW   | 1,60 €   | 1,90 €   |
| 63_039     | 80115   | Gasket ring for BMW R24-R69S (O-Ring between speedo and shell) and gasket indicator glass for BMW R50/5 and up | 1,09 €   | 1,30 €   |
| 63_040     | 99502   | Bulb 12 Volt, 21 Watt, socket BA15S ball-bulb  | 1,39 €   | 1,65 €   |
| 63_041     | 1243443 | Indicator light reflector for BMW R50/5-R100   | 6,09 €   | 7,25 €   |
| 63_044     | 1351257 | Grommet for indicator light for BMW R50/5-R90S   | 0,50 €   | 0,60 €   |
| 63_045     | 9907643 | Indicator light lens screw for BMW R50/5-R100  | 1,51 €   | 1,80 €   |
| 63_046     | 9963002 | Gasket ring for indicator light lens screw   | 0,42 €   | 0,50 €   |
| 63_052     | 1354792 | Reflector red R50/5-R90S, R45-65LS   | 10,00 €  | 11,90 €  |
| 63_055     | 43483   | Headlight assembly R60/6-R100  | 282,77 € | 336,50 € |
| 63_057a    | 43278   | Ignition-lock screw, inner, R60/6-R100   | 4,12 €   | 4,90 €   |
| 63_057b    | 43279   | Ignition-lock screw, outer, R60/6-R100   | 3,78 €   | 4,50 €   |
| 63_061     | 1357502 | Headlight rubber R60/6-R100, LH  | 1,85 €   | 2,20 €   |
| 63_062     | 038126  | Washer 1.0mm R26/27 drive shaft flange   | 1,81 €   | 2,15 €   |
| 63_066a    | 1354619 | Bulb 12 Volt, 60/55 Watt, Halogen-H4, socket P43T  | 5,00 €   | 5,95 €   |
| 63_066b    | 54620   | Bulb 12 Volt, 100/80 Watt, Halogen-H4, socket P43T   | 8,19 €   | 9,75 €   |
| 63_066c    | 54622   | Bulb 12 Volt, 55/100 Watt, Halogen-H4, socket P43T   | 8,19 €   | 9,75 €   |
| 63_066d    | 54621   | Bulb 12 Volt, 100/80 Watt, Halogen-H4, socket P45T   | 10,76 €  | 12,80 €  |
| 63_066d    | 54618   | Bulb 12 Volt, 60/55 Watt, Halogen-H4, socket P45T  | 6,81 €   | 8,10 €   |
| 63_066e    | 1354620 | Bulb 12 Volt, 60/55 Watt, Halogen-H4, socket P43T, Nightbreaker plus 110% light efficiency !                   | 14,20 €  | 16,90 €  |
| 63_066f    | 78006   | Bulb 12 Volt, 35/35 Watt, Halogen-H4, socket PX43T   | 7,52 €   | 8,95 €   |
| 63_067a    | 1356402 | Chrom rim for BMW R60/6-R100/7, Headlight  | 43,49 €  | 51,75 €  |
| 63_067b    | 1243539 | Chrom rim for BMW R45, R65 and R80ST, Headlight  | 92,35 €  | 109,90 € |
| 63_068a    | 13013   | Lens, headlight R60/6-R100R, H4  | 26,81 €  | 31,90 €  |
| 63_068b    | 1358148 | Lens, headlight R60/6-R100, H4 (left hand traffic)   | 37,77 €  | 44,95 €  |
| 63_070a    | 1355396 | Headlight reflector R60/6-R100/7   | 131,68 € | 156,70 € |
| 63_070b    | 1243537 | Reflector for halogen headlight R45/65 BMW   | 134,37 € | 159,90 € |
| 63_070c    | 1243202 | Rubber cap for H4-light for BMW from /5 and higher   | 6,64 €   | 7,90 €   |
| 63_071     | 80130   | Bulb holder single-pole for position light with H4, socket BA9S  | 3,28 €   | 3,90 €   |
| 63_073-075 | 1243227 | Indicator complete for BMW RT-Fairing, left side   | 50,34 €  | 59,90 €  |
| 63_073-075 | 1243228 | Indicator complete for BMW RT-Fairing, right side  | 50,34 €  | 59,90 €  |
| 63_073a    | 1243233 | Indicator light lense for BMW R45T-R100RT, left side   | 17,56 €  | 20,90 €  |
| 63_074a    | 1244321 | Gasket for indicator light lens for BMW R45T-R100RT, left side   | 4,96 €   | 5,90 €   |
| 63_074b    | 1244322 | Gasket for indicator lens for BMW R45T-R100RT, right side  | 4,54 €   | 5,40 €   |
| 63_079     | 1244320 | Parking light gasket R45T-R100RT   | 4,62 €   | 5,50 €   |
| 63_082     | 33031   | Taillight housing R50/5-R100, used, new painted >09/80   | 66,30 €  | 78,90 €  |
| 63_084     | 1351524 | Taillight gasket R50/5-R75/5   | 6,51 €   | 7,75 €   |
| 63_086a    | 50403   | Lens, taillight R50/5-R100->1981   | 23,19 €  | 27,60 €  |
| 63_086b    | 1350403 | Lens, taillight R50/5-R100 ->1981 Original BMW   | 45,34 €  | 53,95 €  |
| 63_087a    | 06760   | Screw for tail light lens R50/5->  | 1,47 €   | 1,75 €   |
| 63_088     | 43756   | Taillight R45/65 78>, R80-R100R 80>  | 123,28 € | 146,70 € |
| 63_088b    | 1243520 | Wiring harness, tail light for BMW R60/7-R100S, years of manufacture 09/1977-08/1978                           | 27,65 €  | 32,90 €  |
| 63_089a    | 1243685 | Taillight reflector R60/7-R100 ->95  | 31,81 €  | 37,85 €  |
| 63_092     | 43758   | Lens, taillight R60/7, R45/65, 09/78 >>  | 25,13 €  | 29,90 €  |
| 63_096     | 1244715 | Indicator light holder for BMW R80R and R100R, front and rear  | 8,32 €   | 9,90 €   |
| 63_096a    | 1243618 | Indicator light holder for BMW R50/5-R100, rear, chromed   | 62,94 €  | 74,90 €  |
| 63_096b    | 1244352 | Indicator light holder for BMW R50/5-R100, rear, black   | 35,80 €  | 42,60 €  |
| 63_096c    | 1350643 | Wiring harness set, indicators rear for BMW R50/5-R90S   | 13,11 €  | 15,60 €  |
| 63_106     | 1244080 | Gasket taillight for BMW R65GS-R100GS, years of manufacture 1980-1992  | 1,26 €   | 1,50 €   |

**Group 95 Literature, bits and pieces**

| <u>Article-No.</u> | <u>Description</u>                             | <u>Net</u> | <u>Gross</u> |
|--------------------|--|------------|--------------|
| 9799000            | Workshop manual R80GS-R100R 1991-1996 (German) | 45,33 €    | 48,50 €      |



|         |   |          |          |
|---------|---|----------|----------|
| 9010    | Cable tape 150x3,6mm black  | 0,08 €   | 0,10 €   |
| 090102  | Helmet Jet, ECE-22.05, silver, XS   | 58,78 €  | 69,95 €  |
| 0670732 | Goggle Aviator/Jeanted T2 (clear) Retro Pilot also for spectacle wearer   | 130,25 € | 155,00 € |
| 067173  | Goggle Jeanted T1/2 Spare glasses set, yellow   | 21,01 €  | 25,00 €  |
| 0670735 | Goggle Aviator/Jeanted T2 tinted glasses also for spectacle wearer, chrom frame   | 130,25 € | 155,00 € |
| 067175  | Goggle Jeanted T1/2 Spare glasses set, mirrored-glass   | 33,53 €  | 39,90 €  |
| 067172  | Goggle Jeanted T1/2 Spare glasses set, clear  | 21,01 €  | 25,00 €  |
| 9798350 | Workshop manual R80G/S ab 09/80>, original BMW German language  | 34,53 €  | 36,95 €  |
| 068002  | Goggle Aviator Vintage, leather chrome  | 142,02 € | 169,00 € |
| 27028   | Owner's manual for BMW R45 and R65 (GERMAN LANGUAGE)  | 20,37 €  | 21,80 €  |
| 27029   | Owner's manual for BMW R45, R65 and R65LS (GERMAN LANGUAGE)   | 20,37 €  | 21,80 €  |
| 27030   | Workshop manual R50/5-75/5 (German) BMW   | 51,40 €  | 55,00 €  |
| 9796330 | Spare parts catalogue for BMW R45 and R65 in GERMAN   | 35,05 €  | 37,50 €  |
| 068001  | Goggle Aviator Vintage, leather gunmetal  | 142,02 € | 169,00 € |
| 9798270 | Owner's manual for BMW R80RT-R100RT until year of manufacture 09/1984 (GERMAN LANGUAGE)   | 13,97 €  | 14,95 €  |
| 67062   | Goggle Aviator Retro, leather chrome  | 121,85 € | 145,00 € |
| 61250   | Google alternate strap T1/T2  | 26,89 €  | 32,00 €  |
| 24000   | Fuel tank seal mastic, 450g, "Tankcure" for one fueltank !  | 28,49 €  | 33,90 €  |
| 60327   | Goggle-Classic for half-shell helmet, chrome frame, black   | 33,53 €  | 39,90 €  |
| 30752   | Tool bag, high 19cm   | 10,84 €  | 12,90 €  |
| 04119   | Goggle Aviator Retro optical chrome, for spectacle wearer   | 172,27 € | 205,00 € |
| 13070   | Varnish pen, black, 086   | 14,20 €  | 16,90 €  |
| 27026   | Owner's manual for BMW R60/6-R90S - ENGLISH LANGUAGE  | 20,47 €  | 21,90 €  |
| 24003   | Helmet Jet, fiberglass, black/silver, no ECE, S extra small shell, brown leather lining   | 83,99 €  | 99,95 €  |
| 04114   | Goggle Aviator Retro, natural rubber chrome   | 110,00 € | 130,90 € |
| 022001  | Rust remover "Tankcure"   | 15,08 €  | 17,95 €  |
| 9015    | Cable strap 150x3,6mm black   | 0,13 €   | 0,15 €   |
| 9019    | Cable tape 360x7,5mm black  | 0,42 €   | 0,50 €   |
| 4008    | Spare parts catalogue for BMW R5 and R6 in GERMAN   | 23,36 €  | 25,00 €  |
| 999401  | Check light 6-24 Volt   | 8,32 €   | 9,90 €   |
| 90190   | Cable tape 285 x 4,7  | 0,17 €   | 0,20 €   |
| 896103  | Folding leaf sight, clear, for jet helmets with 3 button fixing   | 21,85 €  | 26,00 €  |
| 10020   | Book: Service + repair of electrical system (German language) for BMW R24-R25/3, R51/3-R69S, 6V and 12V, IMPORTANT: German language | 8,36 €   | 9,95 €   |
| 5025    | Cleaner for stainless steel, 250ml spraybottle  | 12,56 €  | 14,95 €  |
| 15057   | Workshop manual, R80R, R100R (German)   | 37,29 €  | 39,90 €  |
| 1083    | Polishing wadding Nevr Dull   | 6,68 €   | 7,95 €   |
| 96165   | List of models R32-R100RS, copy   | 1,82 €   | 1,95 €   |
| 04116   | Goggle Aviator Spare glasses set, yellow  | 13,36 €  | 15,90 €  |
| 9017    | Cabel strap 200 x 3,6 mm black  | 0,13 €   | 0,15 €   |
| 00040   | WD-40, anti-rost Spray 400ml  | 7,52 €   | 8,95 €   |
| 9798860 | Worksop manual R65-R100RT (German)  | 45,33 €  | 48,50 €  |
| 0411401 | Goggle Aviator Retro, natural rubber gunmetal   | 110,00 € | 130,90 € |
| 4600210 | Goggle alternate strap Aviator Retro  | 20,97 €  | 24,95 €  |
| 0501501 | Goggle Cilmax 501, leather chrome   | 55,46 €  | 66,00 €  |
| 3080001 | Autosol Chrom-Polish, 75ml tube   | 5,21 €   | 6,20 €   |
| 0067174 | Google Jeanted T1/2 Spare glasse Set, tinted glass  | 21,01 €  | 25,00 €  |
| 0670736 | Goggle Aviator/Jeanted T2 mirrored-glass also for spectacle wearer, chrom frame   | 134,37 € | 159,90 € |
| 9760461 | Owner's manual for BMW R60/7-R100RS - ENGLISH LANGUAGE  | 13,04 €  | 13,95 €  |
| 3075217 | Tool bag, high 17cm   | 10,84 €  | 12,90 €  |
| 3075215 | Tool bag, high 15cm   | 10,84 €  | 12,90 €  |
| 0004116 | Goggle Aviator Spare glasses Set, clear   | 14,20 €  | 16,90 €  |
| 7131139 | Rider's mask, cotton, black   | 4,20 €   | 5,00 €   |
| 4182778 | Goggle Aviator/Jeanted T2 brown leather, brown glasses also for spectacle wearer, golden frame                                      | 134,37 € | 159,90 € |
| 9799070 | Owner's manual for BMW R80R-R100R from year of manufacture 08/1992 (GERMAN LANGUAGE)  | 18,22 €  | 19,50 €  |
| 1889232 | Helmet Jet, ECE-22.05, silver, S  | 58,78 €  | 69,95 €  |
| 1889233 | Helmet Jet, ECE-22.05, silver, M  | 58,78 €  | 69,95 €  |
| 1889234 | Helmet Jet, ECE-22.05, silver, L  | 58,78 €  | 69,95 €  |
| 1889235 | Helmet Jet, ECE-22.05, silver, XL   | 58,78 €  | 69,95 €  |
| 1889236 | Helmet Jet, ECE-22.05, silver, XXL  | 58,78 €  | 69,95 €  |
| 1889253 | Helmet Jet, fiberglass, black/silver, no ECE, M extra small shell, brown leather lining   | 83,99 €  | 99,95 €  |
| 1889254 | Helmet Jet, fiberglass, black/silver, no ECE, L extra small shell, brown leather lining   | 83,99 €  | 99,95 €  |
| 1889255 | Helmet Jet, fiberglass, black/silver, no ECE, XL extra small shell, brown leather lining  | 83,99 €  | 99,95 €  |
| 1889256 | Helmet Jet, fiberglass, black/silver, no ECE, XXL extra small shell, brown leather lining   | 83,99 €  | 99,95 €  |
| 1889262 | Helmet Jet, fiberglass, green/silver, no ECE, S extra small shell, brown leather lining   | 83,99 €  | 99,95 €  |



|         |  |          |          |
|---------|--|----------|----------|
| 1889263 | Helmet Jet, fiberglass, green/silver, no ECE, M extra small shell, brown leather lining  | 83,99 €  | 99,95 €  |
| 1889265 | Helmet Jet, fiberglass, green/silver, no ECE, XL extra small shell, brown leather lining   | 83,99 €  | 99,95 €  |
| 1889266 | Helmet Jet, fiberglass, green/silver, no ECE, XXL extra small shell, brown leather lining  | 83,99 €  | 99,95 €  |
| 1889164 | Helmet half shell, fiberglass, "British Style", TT TwoTone black-silver, real black leather, XL, REMNANTS  | 88,15 €  | 104,90 € |
| 8961034 | Folding leaf sight, toned, for jet helmets with 3 button fixing  | 22,65 €  | 26,95 €  |
| 1004116 | Goggle Aviator Spare glasses set, smoke  | 13,36 €  | 15,90 €  |
| 2233444 | Rust remover "FERTAN" 250ml No shipment outside the European Union possible!   | 15,55 €  | 18,50 €  |
| 9019000 | Cable tape 300 x 4,6 mm, stainless steel   | 0,62 €   | 0,74 €   |
| 9796332 | Auxiliary Catalogue for BMW R50/5-R100RT FOUR languages in ONE book: German, English, Dutch, Swedish, original BMW   | 45,79 €  | 49,00 €  |
| 998376  | Total Power Grease, Innotec Spray-fat  | 13,40 €  | 15,95 €  |
| 70210   | Owner's manual for BMW R50/5-R75/5 (GERMAN LANGUAGE)   | 20,37 €  | 21,80 €  |
| 4026    | Spare parts catalogue for BMW R50-R69S (German, English, French)   | 17,06 €  | 18,25 €  |
| 30685   | Tool set BMW /5->84, original  | 108,32 € | 128,90 € |
| 70211   | Owner's manual for BMW R60/6-R90S (GERMAN LANGUAGE)  | 20,37 €  | 21,80 €  |
| 70212   | Owner's manual for BMW R60/7-R100RS (GERMAN LANGUAGE)  | 20,37 €  | 21,80 €  |
| 70219   | Spare parts catalogue for BMW R51, R61, R66 and R71 IN GERMAN  | 23,36 €  | 25,00 €  |
| 98740   | Owner's manual for BMW R65-R100RT from year of manufacture 1985 (GERMAN LANGUAGE) original BMW   | 15,14 €  | 16,20 €  |
| 9029    | Spare parts catalogue for BMW R51/2 in GERMAN  | 15,79 €  | 16,90 €  |
| 9028    | Spare parts catalogue for BMW R51/3-R67/3 IN GERMAN  | 15,79 €  | 16,90 €  |
| 9099140 | Spare parts catalogue for BMW R50/5, R60/5 and R75/5 in GERMAN   | 32,71 €  | 35,00 €  |
| 4057    | Spare parts catalogue for BMW R57 and R63 IN GERMAN  | 20,45 €  | 21,88 €  |
| 1004    | Workshop manual R60/7-100RS (German)   | 59,81 €  | 64,00 €  |
| 9020    | Spare parts catalogue for BMW R68 in GERMAN  | 15,79 €  | 16,90 €  |
| 4003    | Spare parts catalogue for BMW R75 Wehrmacht with side car IN GERMAN  | 28,04 €  | 30,00 €  |
| 1001    | Workshop manual R50/5-75/5 (German)  | 40,19 €  | 43,00 €  |
| 4001    | Spare parts catalogue for STEIB sidecars in GERMAN   | 18,69 €  | 20,00 €  |
| 1000    | Workshop manual R60/6-90S (German)   | 36,45 €  | 39,00 €  |
| 1002    | Workshop manual R45/65 (German) 1978-1980  | 37,29 €  | 39,90 €  |
| 3002    | Workshop manual R60/7-R100 (German) 1976-1980  | 37,29 €  | 39,90 €  |
| 9798461 | Workshop manual R60/7-R100RS English   | 35,98 €  | 38,50 €  |
| 27025   | Owner's manual for BMW R50/5-R75/5 - ENGLISH LANGUAGE  | 27,80 €  | 29,75 €  |
| 9796621 | Auxiliary Catalogue for BMW R100-R100RT, GERMAN language original BMW  | 24,86 €  | 26,60 €  |
| 70218   | Spare parts catalogue for BMW R11 and R16 series 1/5 IN GERMAN   | 22,90 €  | 24,50 €  |
| 872042  | Book: "Schrader-Motor-Chronik, BMW-Motorräder Singles, Boxer-, GS- und K-Modelle seit 1970", GERMAN A documentation from Jan Leek, 1.edition 2007, IMPORTANT: German language  | 18,60 €  | 19,90 €  |
| 0872041 | Book: "Schrader-Motor-Chronik, BMW-Motorräder seit 1970, Singles, Boxer- und K-Modelle", GERMAN LANG A documentation from Jan Leek, 1.edition 2000, IMPORTANT: German language | 18,60 €  | 19,90 €  |
| 01558   | Book: "BMW Motorräder seit 1923", GERMAN LANGUAGE from Wolfgang Zeyen and Jan Leek, 1.Edition 2004, IMPORTANT: German language   | 46,64 €  | 49,90 €  |
| 01955   | Book: "Typenkompass, BMW, Motorräder seit 1945", GERMAN LANGUAGE from Jan Leek, 1.Edition 2012, IMPORTANT: German language   | 11,68 €  | 12,50 €  |
| 0035942 | Book: "Schrader-Typen-Chronik, BMW Zweiventil Motorräder 1969 - 1996", GERMAN LANGUAGE A documentation from Andy Schwietzer, 1.Edition 2011, IMPORTANT: German language        | 9,30 €   | 9,95 €   |
| 87134   | Book: "BMW-Zweiventil von 1969 bis 1985, Boxer ab /5, Band 1" GERMAN LANGUAGE from Andy Schwietzer, 3. revised and replinished Edition 2008                                    | 27,85 €  | 29,80 €  |
| 0025485 | Book: "Der Kupferwurm" and "Besser machen, Arbeiten an Motorrädern" in one Vol., GERMAN LANGUAGE from Carl Hertweck, special Edition: 2. Edition 2006                          | 37,29 €  | 39,90 €  |
| 9806631 | Book: "BMW-Zweiventil von 1980 bis 1996, Boxer ab R80G/S, Band 2" GERMAN LANGUAGE from Andy Schwietzer, 1.Edition 2008   | 27,85 €  | 29,80 €  |
| 3038028 | Book: "BMW-Motorräder, Die Jahrhundert-Story", GERMAN LANGUAGE from Frank Rönicke, 1. Edition 2015   | 27,94 €  | 29,90 €  |
| 3038806 | Book: "BMW Boxer, Die Zweiventil-Twins 1969-1996", GERMAN LANGUAGE from Ian Falloon, 1. Edition 2016   | 27,94 €  | 29,90 €  |
| 8066319 | Book: "BMW-Zweiventil von 1969 bis 1996, Boxer Technik, Band 3" GERMAN LANGUAGE from Helmut Heusler, 2.ext.Edition 08/2013, IMPORTANT: German language                         | 36,45 €  | 39,00 €  |
| 090104  | Helmet Jet, ECE-22.05, black, XS   | 58,78 €  | 69,95 €  |
| 24002   | Helmet Jet, ECE-22.05, ivory Classic, XS   | 75,59 €  | 89,95 €  |
| 1885645 | Helmet half shell, fiberglass, white, S  | 63,78 €  | 75,90 €  |
| 1885646 | Helmet half shell, fiberglass, black, S  | 63,78 €  | 75,90 €  |
| 1885647 | Helmet half shell, fiberglass, silver, S   | 63,78 €  | 75,90 €  |
| 1885648 | Helmet half shell, fiberglass, black, chequered, S   | 67,14 €  | 79,90 €  |
| 1885715 | Helmet half shell, fiberglass, ivory, S  | 63,78 €  | 75,90 €  |
| 1889102 | Helmet half shell, fiberglass, black, M  | 63,78 €  | 75,90 €  |
| 1889103 | Helmet half shell, fiberglass, black, L  | 63,78 €  | 75,90 €  |
| 1889104 | Helmet half shell, fiberglass, black, XL   | 63,78 €  | 75,90 €  |
| 1889105 | Helmet half shell, fiberglass, black, XXL  | 63,78 €  | 75,90 €  |
| 1889112 | Helmet half shell, fiberglass, white, M  | 63,78 €  | 75,90 €  |



|         |  |         |          |
|---------|--|---------|----------|
| 1889113 | Helmet half shell, fiberglass, white, L  | 63,78 € | 75,90 €  |
| 1889114 | Helmet half shell, fiberglass, white, XL   | 63,78 € | 75,90 €  |
| 1889115 | Helmet half shell, fiberglass, white, XXL  | 63,78 € | 75,90 €  |
| 1889122 | Helmet half shell, fiberglass, black, chequered, M   | 67,14 € | 79,90 €  |
| 1889123 | Helmet half shell, fiberglass, black, chequered, L   | 67,14 € | 79,90 €  |
| 1889124 | Helmet half shell, fiberglass, black, chequered XL   | 72,10 € | 85,80 €  |
| 1889125 | Helmet half shell, fiberglass, black, chequered XXL  | 72,10 € | 85,80 €  |
| 1889132 | Helmet half shell, fiberglass, ivory, M  | 63,78 € | 75,90 €  |
| 1889133 | Helmet half shell, fiberglass, ivory, L  | 63,78 € | 75,90 €  |
| 1889134 | Helmet half shell, fiberglass, ivory, XL   | 63,78 € | 75,90 €  |
| 1889135 | Helmet half shell, fiberglass, ivory, XXL  | 63,78 € | 75,90 €  |
| 1889142 | Helmet half shell, fiberglass, silver, M   | 63,78 € | 75,90 €  |
| 1889143 | Helmet half shell, fiberglass, silver, L   | 63,78 € | 75,90 €  |
| 1889144 | Helmet half shell, fiberglass, silver, XL  | 63,78 € | 75,90 €  |
| 1889145 | Helmet half shell, fiberglass, silver, XXL   | 63,78 € | 75,90 €  |
| 1889202 | Helmet Jet, ECE-22.05, black, S  | 58,78 € | 69,95 €  |
| 1889203 | Helmet Jet, ECE-22.05, black, M  | 58,78 € | 69,95 €  |
| 1889204 | Helmet Jet, ECE-22.05, black, L  | 58,78 € | 69,95 €  |
| 1889205 | Helmet Jet, ECE-22.05, black, XL   | 58,78 € | 69,95 €  |
| 1889206 | Helmet Jet, ECE-22.05, black, XXL  | 58,78 € | 69,95 €  |
| 1889212 | Helmet Jet, ECE-22.05, white, S  | 58,78 € | 69,95 €  |
| 1889213 | Helmet Jet, ECE-22.05, white, M  | 58,78 € | 69,95 €  |
| 1889214 | Helmet Jet, ECE-22.05, white, L  | 58,78 € | 69,95 €  |
| 1889215 | Helmet Jet, ECE-22.05, white, XL   | 58,78 € | 69,95 €  |
| 1889216 | Helmet Jet, ECE-22.05, white, XXL  | 58,78 € | 69,95 €  |
| 1889225 | Helmet Jet, ECE-22.05, white, chrome-edge, XL black textile lining, REMNANT STOCK!                   | 83,99 € | 99,95 €  |
| 1889226 | Helmet Jet, ECE-22.05, white, chrome-edge, XXL black textile lining, REMNANT STOCK!                  | 83,99 € | 99,95 €  |
| 1889242 | Helmet Jet, ECE-22.05, ivory Classic, S  | 75,59 € | 89,95 €  |
| 1889243 | Helmet Jet, ECE-22.05, ivory Classic, M  | 75,59 € | 89,95 €  |
| 1889244 | Helmet Jet, ECE-22.05, ivory Classic, L  | 75,59 € | 89,95 €  |
| 1889245 | Helmet Jet, ECE-22.05, ivory Classic, XL   | 75,59 € | 89,95 €  |
| 1889246 | Helmet Jet, ECE-22.05, ivory Classic, XXL  | 75,59 € | 89,95 €  |
| 1889156 | Helmet half shell, fiberglass, "British Style", uni, unicolor white, real black leather, M, REMNANTS | 83,99 € | 99,95 €  |
| 1889701 | Helmet Jet, ECE-22.05, black, chequered, XS black textile lining                                     | 92,35 € | 109,90 € |
| 1889702 | Helmet Jet, ECE-22.05, black, chequered, S black textile lining                                      | 92,35 € | 109,90 € |
| 1889703 | Helmet Jet, ECE-22.05, black, chequered, M black textile lining                                      | 92,35 € | 109,90 € |
| 1889704 | Helmet Jet, ECE-22.05, black, chequered, L black textile lining                                      | 92,35 € | 109,90 € |
| 1889705 | Helmet Jet, ECE-22.05, black, chequered, XL black textile lining                                     | 92,35 € | 109,90 € |
| 1889706 | Helmet Jet, ECE-22.05, black, chequered, XXL black textile lining                                    | 92,35 € | 109,90 € |
| 4006    | Spare parts catalogue for BMW R20 and R23 IN GERMAN  | 17,90 € | 19,15 €  |
| 9022    | Spare parts catalogue for BMW R25 IN GERMAN  | 15,79 € | 16,90 €  |
| 9021    | Spare parts catalogue for BMW R24 in GERMAN  | 15,79 € | 16,90 €  |
| 9024    | Spare parts catalogue for BMW R25/3 in GERMAN  | 15,79 € | 16,90 €  |
| 9025    | Spare parts catalogue for BMW R26 and R27 in GERMAN  | 17,06 € | 18,25 €  |
| 4012    | Spare part catalogue for BMW R12 and R17 IN GERMAN   | 19,35 € | 20,70 €  |
| 4004    | Spare parts catalogue for BMW R35 in GERMAN  | 17,90 € | 19,15 €  |
| 9023    | Spare parts catalogue for BMW R25/2 in GERMAN  | 15,79 € | 16,90 €  |
| 9799000 | Workshop manual R80GS-R100R 1991-1996 (German)   | 56,77 € | 66,67 €  |





In order to accomplish a fast dispatch, we ask you to give to us your credit card details

Please fill out this side and **fax it to us at +49 69 23 38 40**

**Credit card direct debit authorisation**

Hereby I authorize

Ulis Motorradladen GmbH  
Gutleutstrasse 144  
D-60327 Frankfurt am Main

to deduct invoice amounts of my credit card account.

Name.....

Customer's number (if known).....

Street.....

ZIP / Town / State / Country.....

Name of Account owner.....

Name of the bank.....

Credit card number.....

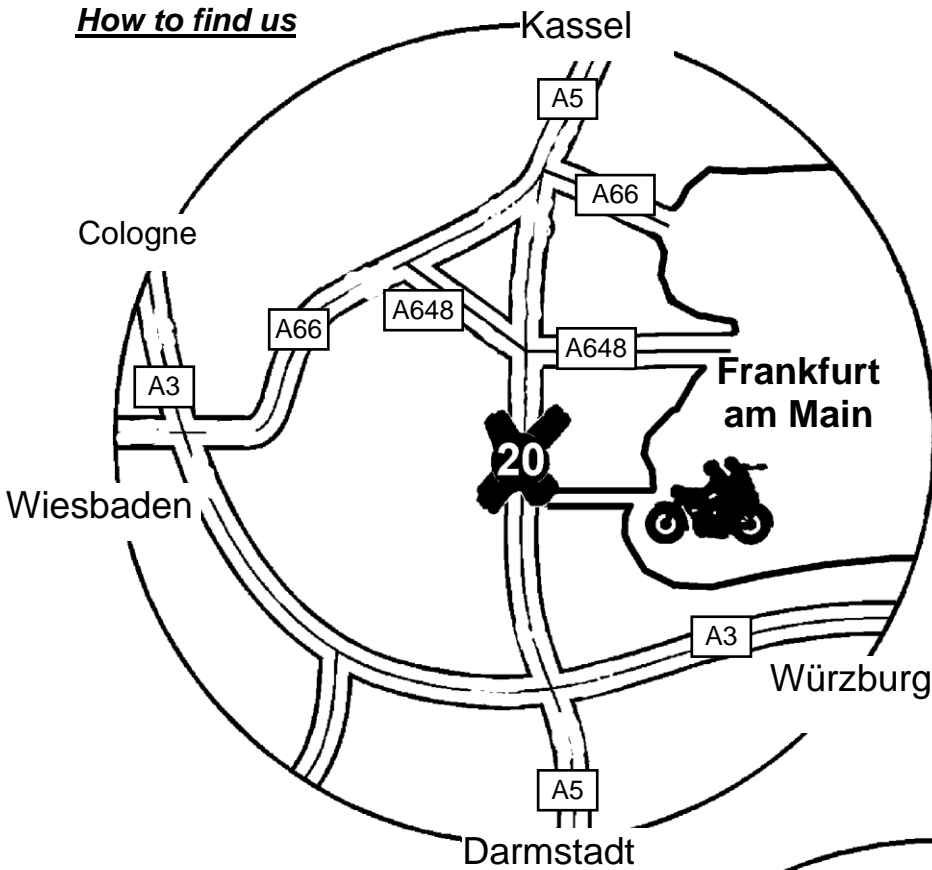
Date of expiration.....

CV code (three digits on the back of your card in the signature area).....

Date / Signature.....

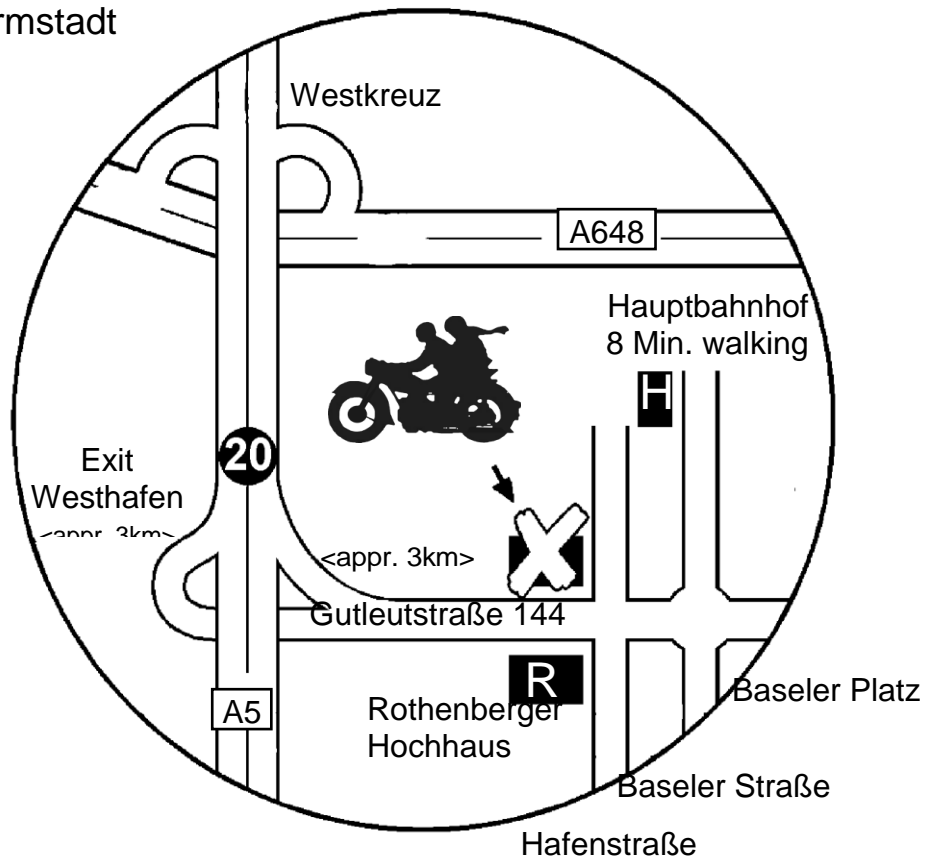


How to find us



**Attention!**  
The exit 20 – WESTHAFEN can only be used when you are coming from the North.

If you are coming from the South, you have to make a U - Turn at the WESTKREUZ  
First direction WIESBADEN, then direction BASEL



**Ulis Motorradladen GmbH**

Gutleutstrasse 144  
D – 60327 Frankfurt am Main  
Germany

Telefon +49 (69) 23 93 19  
Telefax +49 (69) 23 38 40

Info@UlisMotorradladen.de  
www.UlisMotorradladen.de

WGS84:  
50°06'27"North / 08°38'47"East

We're open:  
Tu-Fr 10:00-18:30 / Sat 10:00-13:00