



Ulis Motorradladen

BMW Motorcycles

Spare Parts

Accessory

CATALOGUE 2017

BMW R24 to R69S - 1949 to 1969

Table of content:

Terms and Conditions	3
Impressum	5
Group M: Engine all Singles	6
Group N: Engine housing, Cylinder, Piston all Twins	12
Group W: Inner engine parts all Twins	12
Group G: Gearbox all Singles	21
Group H: Gearbox all Twins 1955-1969	24
Group I: Gearbox all Twins 1948-1956	28
Group K: Rear transmission R25, R25/2, R25/3	31
Group C: Rear transmission all Twins 1948-1956	31
Group P: Rear swing arm and transmission all models 1955-1969	33
Group T: Fork and steering R24, R25, R25/2	40
Group Q: Fork and steering R25/3	43
Group R: Fork and steering R51/2-R68	46
Group S: Front swing and steering all models 1955-1969, rims, spokes, tires	50
Group F: Frame, fenders, tank, seats all models 1948-1956	57
Group J: Frame, fender, tank, seat for all models 1955-1969	63
Group A: Exhaust system all models 1948-1969	69
Group E: Electrics	72
Group V: Carburetor, airfilter all models 1948-1969	80
Group Z: Sidecar spare parts	84
Group L: Literature, Manuals	87
Credit card direct debit authorisation	91
How to find Ulis Motorradladen	92

Ulis Motorradladen GmbH
Gutleutstrasse 144
D-60327 Frankfurt am Main
Germany

Telefon +49 (0) 69 / 17536440
Telefax +49 (0) 69 / 175364499
Info@UlisMotorradladen.de
www.UlisMotorradladen.de
www.UlisMotorradladen.com

Shop is open:

Tuesday to Friday from 10:00 – 12.30 and 13.30 – 18.00
Saturday 10.00 -- 13:00, Sunday and Monday closed.

**The direct line to your needs**

At the times indicated, the responsible employees deal exclusively with your calls. That enough lines are free and therefore longer waiting times are avoided, please call always the fitting number for your needs from the following overview.

Sale - spare parts - The Hotline for your orders!

Tuesday - Friday : 10.00 a.m. to 12.00 noon and 3.00 p.m. to 5.00 p.m.
Saturday : 10.00 a.m. to 1.00 p.m.
Tel.: 0049 (0) 69-1753644-10

Technical consulting - Technical questions about our products

Tuesday - Friday : 5.00 p.m. to 5.30 p.m.
Tel.: 0049 (0) 69-1753644-30

Ebay settlement - with questions about a purchase on Ebay

Tuesday - Friday : 10.00 a.m. to 12.00 noon
Tel.: 0049 (0) 69-1753644-11

IT / Online Store - login problems or questions regarding the use

Tuesday - Friday : 10.00 a.m. to 12.00 noon and 3.00 p.m. to 5.00 p.m.
Tel.: 0049 (0) 69-1753644-42

Additional departments

Tuesday - Friday : 10.00 a.m. to 12.00 noon and 3.00 p.m. to 5.00 p.m.

Switchboard

Here you can call if you are not sure which department is responsible for your concern. They connect you to the appropriate contact person.
Tel.: 0049 (0) 69-1753644-0

Shipping

For questions about a package which is on the way to you, the employees can help you here.
Tel.: 0049 (0) 69-1753644-12

Repairs/Workshop

If you want to repair a motorcycle or parts thereof, or have a bike/part with us for repair, you can contact us with your concerns here.
Tel.: 0049 (0) 69-1753644-31

Purchase

If you are a supplier of us, or want to be, that's the correct number:
Tel.: 0049 (0) 69-1753644-20

Accounting

For questions about a payment or reminder you can call here:
Tel.: 0049 (0) 69-1753644-41

Fax: 00 49 (0)69 - 1753644-99

E-Mail: Info@UlisMotorradladen.de



July 2017
Frankfurt, Germany

Dear BMW friends and riders,

Welcome to Ulis Motorradladen!

Thank you for your interest in our products for older BMW motorcycles. This is our latest edition of an English version of our catalog, we hope this edition will help you locate your parts more easily. Parts descriptions are translated in English language. We apologize for mistakes beforehand.

A note to owners of BMW motorcycles built after 1969: We stock nearly all spare parts for these models and we have a catalog for them exclusively. All catalogs are available for download from our web-site as zipped .pdf files. All software tools to unzip and read them are free and readily available.

In this catalog you'll see each part category preceded by a diagram. By cross-referring a part description with the picture in the diagram, we hope to eliminate misunderstandings and incorrect part orders. The diagrams and listings also show that we do indeed keep all parts for old BMWs in stock and ready for shipment.

Please notice that we offer many used parts. We do not sell junk—rather good, useable parts. For example, if you order a used crankcase breather for a R60/6, the part you receive will in no way be inferior to a new factory part. The price of a used part is generally half the price of the new part. Exceptions to this are rare parts that are no longer available.

We are a customer-oriented company. If you have technical questions regarding your BMW we are happy to answer them. We have been riding, servicing and selling old BMWs for years—we are experts regarding what we sell. We answer all inquiries in the order they are received and as soon as possible. Suggestions are always welcome!

Terms and Conditions

The shipping-cost will be charged according to the conditions displayed in a list you will find on our website under www.ulismotorradladen.de or in conjunction with an online-order you place.

The forwarder and the shipping-method we will determine for you, depending on the nature of the goods you buy.

All shipments however are insured against loss.

The payment-method „COD cost on delivery“ will result in an extra fee (see shipping-cost list).

Online-orders include the shipping-cost and all additions and will be processed when you confirm the order.

Please notice:

Every order will result in shipping-cost, no matter if you order few or many items. No shipment will be transport-fee free.

The shipping-cost includes the German VAT in any case, which is no error.

The average runtime within Germany is 1-5 labourdays.

The average runtime in foreign countries varies from 5-60 labourdays, depending on the destination.

Due to specific conditions in the land of the destination (holidays, weather-conditions, legal conditions) delays can occur and cannot be influenced by Uli's..

Uli's cannot guarantee that the parcel will arrive in time. The shipping-companies themselves do not guarantee the delivery within the standard-runtime, unless you do not order additional service performances.

Special shipping-performances can be ordered, resulting in additional freight-cost, such as EXPRESS-shipments or our courier services. The cost and the equivalent conditions can be asked for at Uli's helpdesk.

We are capable to ship complete motorcycles, sidecars and combinations as well. Cost and delivery conditions under request.

Payment Conditions

- Bankdraft:

We draw the total from your bank-account, if it is bank in Germany. You do not have to care or worry for anything.

The quickest and most convenient way to pay. Bankdraft from banks outside of Germany are not possible.

- Creditcard:

Please transfer your creditcard details to us, We need the long number, expiry-date and the 3-digit security-code. Do not use email to transmit the data! Only Fax, telephone and our webshop are safe. We accept Visa-Euro-Master-Amexcard. Maestro- or bankingcards are not valid.

- Prior payment

We will send an email (or Fax) to you, including an order-confirmation with a detailed list of what you buy and the total cost all together. If you transfer the money to one of our bank-accounts, the goods will be sent out without delay.

Using the online-shop, you can proceed with the payment as soon as the buying process is finished. Mention the document-number, please.

Reparation of Components

If you send in components of motorcycles for reparation, please do not forget to include a detailed description of the labour you want us to perform. Without such a description, the work cannot be done.

Please clean the parts before you send them in. If you should fail to do so, we would probably have to charge an additional cleaning-fee. Pack the things carefully, many valuable parts break or get scratched due to improper packing. The letter you send with the component must also include your full name and home-address.

**Repeal**

It is your privilege as a end-customer to repeal the contract within the first 14 days after your purchase. This right is only valid if we had sent the parts to you, not if you had bought them in our shop locality. Please declare your repeal within 14 days in written form (a.e. letter, fax, email) or by phone.

Send the Reapeal to:

Ulis Motorradladen GmbH
Gutleutstrasse 144
60327 Frankfurt
Germany
Email: info@ulismotorradladen.de
Fax: 0049 - 69 - 1753644 - 99
Phone: 0049 - 69 - 1753644 - 0

You can claim back the full amount, if:

- the commodity has been bought at Uli´s,
- the goods are not damaged
- the goods have not been used, regardless of minor traces of usual inspections

Parts that have been used or damaged might not be subject for a refund or for claims. In some cases, we would refund the value with an equivalent decuction.

The return-shipping-cost will not be covered by Uli´s, you must pay them.

This return-shipping-costs are displayed in our online shop, befor you send the order in the last step.

They will be:

EUR 6,90 inside germany

EUR 15,10 from all other european continent countrys

EUR 28,90 from all countrys outside the european continent.

If you must pay more shipping fee for a standard parcel, we will refund this more costs.

The refund of the money must be do within 14 days.

No Repeal for bussiness customers, clubs and societys.

If you have the wish to send back goods, please ask us before!

No Repeal if you bought the good in our local shop.

If you have the wish to send back goods, please ask us before!

Exchange

The condition for an exchange of a commodity is that the goods have returned to Uli´s.

The goods you return will be subject to a credit, and the parts you want to buy instead will be charged as usual.

Reclamation

Everything you buy at Uli´s includes „Gewährleistung“, which means that you have the right to claim a broken, defective or unfunctional product alt Uli´s up to a period of 24 months, but only if we had sent the part to you. If you had picked up the commodity in our shop locality, the right is invalid.

The right mentioned above is valid 12 moths only if the commodity is secondhand.

Of course we inspect all secondhand and used parts thoroughly before we sell them.

In case of a righteous reclamation of goods, Uli´s will cover all transportation-fees, also for their return.

Your shipmets to us

will be accepted under the condition that the transportation-fee has been paid for. Shipments that include a duty for Uli´s will be refused. Exemptions are made if the return is subject to an agreement with Uli´s.

If it should be your wish not to expend transportation-fees prior to the return, we would like you to get in contact with us.

Uli´s has means to organize reasonable collect-services. If you should fail to contact us before you send in a parcel with a duty for Uli´s, we would probably deduct the cost from later refunds. Please do not send „unfree“ parcels!

Prices

All pricelists in connection with Uli´s Motorradladen, such as the PDF-file you find under www.ulismotorradladen.de include reserved prices. Changes in prices can and will occur. We do not guarantee for printed prices.

The prices in the online-shop are currently adopted and valid in general.

Every pricelist includes prices with VAT and without VAT. All prices are in Euro. Pricelists in other currencies than EURO do not exist. Also, the invoices we set up are in EURO exclusively.

Best Regards,

Schöne Grüße aus Frankfurt,

Ulis Motorradladen



Impressum

Ulis Motorradladen GmbH

BMW Motorräder – Ersatzteile – Zubehör
Gutleutstrasse 144

D-60327 Frankfurt am Main
Germany

Telefon +49 (69) 1753644-0
Telefax +49 (69) 1753644-99
eMail Info@UlisMotorradladen.de
Internet <http://www.UlisMotorradladen.de>
<http://www.UlisMotorradladen.com>

Managing director Ulrich Seiwert
District court Frankfurt HRB40289
VAT-No: / UstIdNr: DE 174059929

Payments can be transfered to:

Postgiroamt Frankfurt
Account No 11 52 38-608
Bank Id No 500 100 60
Iban:DE43500100600115238608
SwiftBic: PBNK DE FF

Commerzbank Frankfurt
Account No 384 766 400
Bank Id No 500 800 00
Iban:DE67500800000384766400
SwiftBic: DRES DE FF

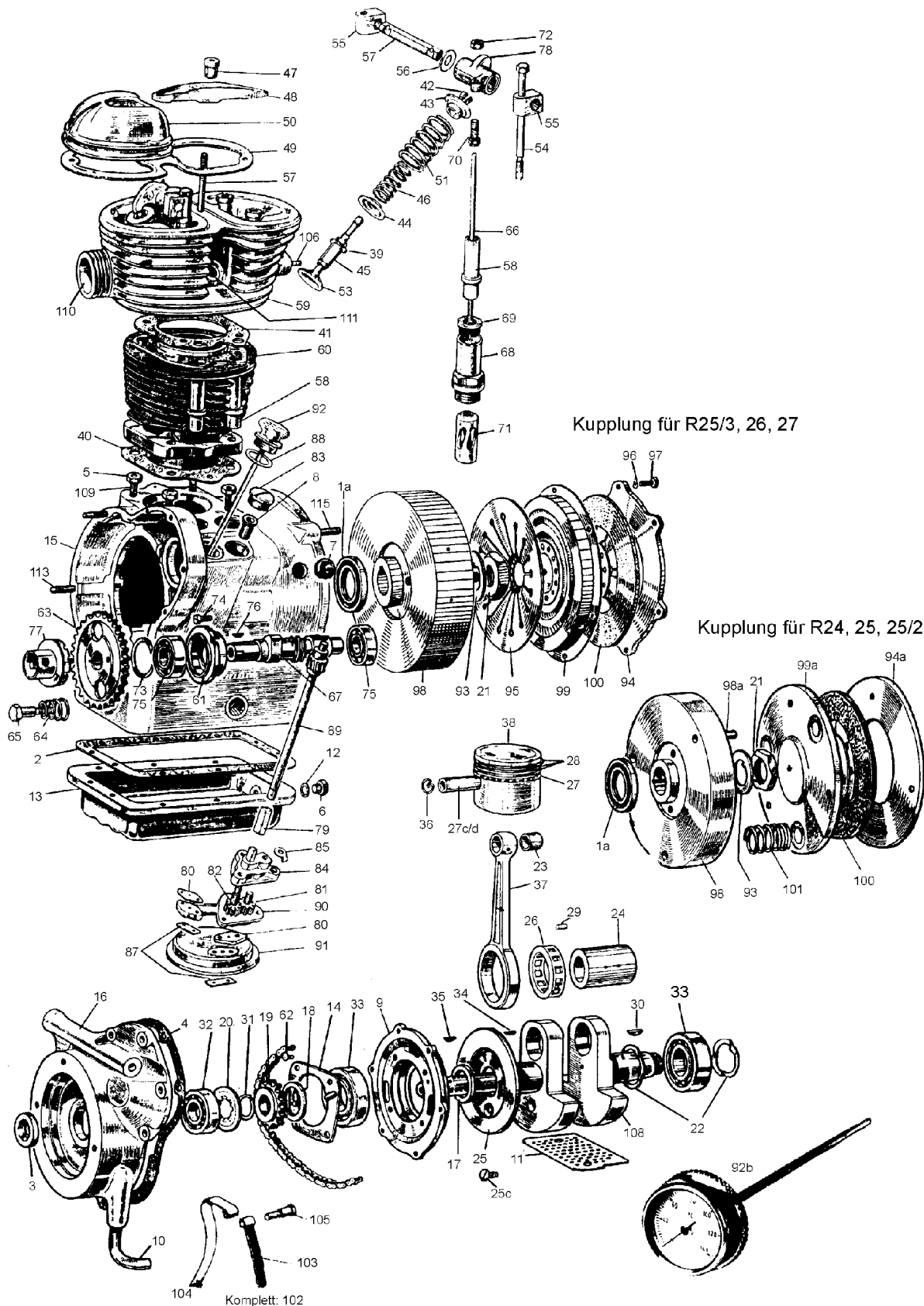
Copyright @ Ulis Motorradladen GmbH 2017.

Reprint, copying or any kind of publishing – even parts of it – needs our written permission!

We apologize for all possible mistakes and price changes.



Group M: Engine all Singles



Picture-No.	Article-No.	Description	Net	Gross
M000	600014	Engine gasket set (No.M01) for BMW R24, complete	26,47 €	31,50 €
M000A	600003	Engine gasket set (No.M02), for BMW R25-R25/3	26,47 €	31,50 €
M000B	600008	Engine gasket set (No.M03), for BMW R26, complete	26,47 €	31,50 €
M000C	600009	Engine gasket set (No.M04) for BMW R27, complete	31,72 €	37,75 €
M001A	07100	Seal-ring, crankshaft rear R24-25/3	7,44 €	8,85 €
M001B	01122	Seal-ring, crankshaft rear R26/27, R51/3-R69S	8,82 €	10,50 €
M001B	0112201	Seal-ring, crankshaft rear R26/27, R51/3-R69S "VITON" with spin	17,23 €	20,50 €
M001C	01123	Seal-ring, crankshaft rear R26-69S, silicone white	10,76 €	12,80 €
M001D	99177	Flywheel seal repair set R24, R25, R25/3, R25/3	36,89 €	43,90 €



M001d	01124	Seal-ring, crankshaft R26-69S, silicon with spin	13,36 €	15,90 €
M001E	99204	Flywheel seal repair set R26/27, R51/3-R69S	41,60 €	49,50 €
M002	01104	Oil pan gasket for BMW R24-R27, Cork	3,32 €	3,95 €
M002	0001104	Oil pan gasket for BMW R24-R27, Paper	3,32 €	3,95 €
M003A	02110	Seal-ring, crankshaft front R24, R25, R26, R27	4,03 €	4,80 €
M003B	02129	Seal-ring camshaft R27	3,53 €	4,20 €
M004	02114	Timing cover gasket R24, R25, R26, R27	2,69 €	3,20 €
M005	9903416	Dowel pin for cylinder base, R24-R69S	5,00 €	5,95 €
M005A	37789	Cylinder base 12-point nut for cardan coupling	2,31 €	2,75 €
M005B	85002	Cylinder base nut 6-point for BMW R24-R60S, wrench size 14mm, M10 zincked Cylinder base nut 6-point for BMW R24-R60S, wrench size 14mm, M10 stainless steel	1,51 €	1,80 €
M005C	98370		2,35 €	2,80 €
M006	07163	Oil drain screw, M14, magnetic zincked	3,19 €	3,80 €
M006	62893	Oil drain screw, M15	5,80 €	6,90 €
M006B	62892	Oil drain screw, M16	6,30 €	7,50 €
M007A	01106	Black rubber plug for timing control hole	1,26 €	1,50 €
M007B	43016	White rubber plug for timing control hole	1,26 €	1,50 €
M008	01112	Bushing oil pump shaft for BMW R24-R27	8,32 €	9,90 €
M009A	90031	Bearing shield crankshaft for BMW R24 and R25, front aluminium, used	65,55 €	78,00 €
M009B	02104	Bearing shield crankshaft for BMW R25-R27, front NEW	91,39 €	108,75 €
M009C	9913470	Hex bolt bearing plate 1-cylinder and alternator cover R51/2	0,30 €	0,36 €
M010	01114	Engine breather pipe for BMW R24, R25, R26 and R27 zincked	10,76 €	12,80 €
M011	01116	Oil sieve, used	7,39 €	8,79 €
M012	2027	Gasket ring oil drain screw, M14x20x2 Oil pan for BMW R24-R27 with distance piece for oil screen, bigger version	0,67 €	0,80 €
M013	07000	Capacity: ca. 1,75 liter (instead of 1,25 liter), aluminium	74,96 €	89,20 €
M014	02124	Flange for front bearing cover for BMW R24-R27 used	10,25 €	12,20 €
M015A	01009	Engine housing for BMW R25, R25/2 and R25/3 used	159,66 €	190,00 €
M015B	01008	Engine housing for BMW R26 used	268,91 €	320,00 €
M015C	01007	Engine housing for BMW R27 used	268,91 €	320,00 €
M016A	4031	Timing cover R24, R25, R26 used	41,93 €	49,90 €
M016B	5031	Timing cover R27 used	100,84 €	120,00 €
M017	0016114	Spacer ring on crankshaft between chainwheel and bearing for BMW R24-R27 new old stock + new produced	3,36 €	4,00 €
M018	0016116	Spacer ring on crankshaft between chainwheel and bearing for BMW R24, R25, R25/2 and R25/3	5,46 €	6,50 €
M019A	16118	Chain wheel crankshaft for BMW R24, R25, R25/2 and R25/3 used	29,37 €	34,95 €
M019B	16500	Chain wheel crankshaft for BMW R26 and R27 Original BMW-NEW PART	50,34 €	59,90 €
M020	16120	Splash guard for front crank bearing R24-R27	4,03 €	4,80 €
M021	16122	Flywheel screw R25-27	2,94 €	3,50 €
M022A	16124	Spring washer for crankshaft for BMW R25, R25/2 and R25/3, rear	2,06 €	2,45 €
M022B	16130	Spring washer for crankshaft for BMW R26, R27 and R50-R69S, rear	2,27 €	2,70 €
M023A	4027	Piston pin bushing für BMW R24-R25/3 and R51/2-R67/3 18mm	7,39 €	8,80 €
M023B	3027	Piston pin bushing for BMW R26, R27 and R50-R69S 20mm	7,39 €	8,80 €
M024	16551	Crank pin for BMW R24, R25, R26 and R27	24,58 €	29,25 €
M025A	16119	Oil slinger for BMW R26 "new" and R27	12,60 €	14,99 €
M025B	16112	Oil slinger for BMW R25, R25/2, R25/3 and R26 "old"	12,60 €	14,99 €
M025C	00106	Screw for oil slinger	0,46 €	0,55 €
M026A	16125	Roller cage for 5mm rollers, small	28,11 €	33,45 €
M026B	17004	Roller cage for 7mm rollers, R24, R26, R27 used	25,13 €	29,90 €
M027A	14217	Piston ring - 68,00-70,50mm, compression define your needed oversize!!!	7,23 €	8,60 €
M027A	1142171	Piston ring - 69,00mm, compression 1st ring	7,23 €	8,60 €
M027A	1014217	Piston ring - 68,00mm, compression 1st ring, chrome plated	7,23 €	8,60 €
M027A	2014217	Piston ring - 68,00mm, compression 2nd ring	7,23 €	8,60 €
M027B	14160	Piston ring - 68,00 - 70,50mm, oil scraper ring please indicate size!!!	10,25 €	12,20 €
M027C	40822	Piston pin - 18mm for BMW R24-R68	8,19 €	9,75 €
M028	14330	Piston ring set (3 pcs) - 68,00-70,00mm please indicate size!!!	24,20 €	28,80 €
M029A	16824	Conrod roller 5x10.00	0,41 €	0,49 €
M029B	168245	Conrod roller 5x10 +0,04	0,41 €	0,49 €
M029B	168246	Conrod roller 5x10 +0,05	0,41 €	0,49 €
M029B	168244	Conrod roller 5x10 +0,03	0,41 €	0,49 €
M029B	168243	Conrod roller 5x10 +0,02	0,41 €	0,49 €
M029B	168241	Conrod roller 5x10 +0,01	0,41 €	0,49 €
M029C	168247	Conrod roller 7x10 +0,02	0,41 €	0,49 €
M029C	168248	Conrod roller 7x10 +0,03	0,41 €	0,49 €
M029C	168249	Conrod roller 7x10 +0,04	0,41 €	0,49 €
M029C	168250	Conrod roller 7x10 +0,05	0,41 €	0,49 €
M029C	168250	Conrod roller 7x10 +0,05	40,00 €	47,60 €



M029C	168250	Conrod roller 7x10 +0,05	50,00 €	59,50 €
M029C	16140	Conrod roller 7x10.00	0,41 €	0,49 €
M029D	168242	Conrod roller 7x10 +0,01	0,41 €	0,49 €
M030A	16132	Woodruff key for crankshaft R25/3-R69S, rear Woodruff key for crankshaft R51/3-R100 front, crank shaft rear R24-R25/2,	2,10 €	2,50 €
M030B	51480	Lock ring for crankshaft R24, R25, R25/2, R25/3	1,51 €	1,80 €
M031	34129	Bearing crankshaft for BMW R24-R27 front end and /5 4-speed gearbox and for	0,46 €	0,55 €
M032	4064	BMW R24-R69S input shaft front and output shaft rear	7,35 €	8,75 €
M033A	2064	Bearing crankshaft for BMW R24-R27, front and R24-R25/3, rear and crown wheel outer for BMW R25, R26 and R27	10,42 €	12,40 €
M033B	62060	Bearing crankshaft for BMW R24-R27, front and R24-R25/3, rear reinforced, with nylon cage	36,09 €	42,95 €
M033C	3064	Bearing crankshaft for BMW R26 and R27, rear and R51/2-R69S and crownwheel for BMW R51/3-R68, outer	12,44 €	14,80 €
M033D	1085	Bearing crankshaft for BMW R26 and R27, rear and R51/2-R69S reinforced, with nylon cage, higher bearing play	45,80 €	54,50 €
M034	51440	Woodruff key crankshaft front R24-R27, Chainwheel R51/2, Inner oil pump wheel for wide key (= Article-No.: 58971)	1,51 €	1,80 €
M035	51454	Woodruff key for generator rotor R24, R25, R26	1,51 €	1,80 €
M036A	9026	Piston pin retainer - 18mm wire hoop, cross section: round	1,07 €	1,27 €
M036A	0019026	Piston pin retainer - 18mm lock hoop, cross section: squared	1,07 €	1,27 €
M036B	14202	Piston pin retainer - 20mm	1,05 €	1,25 €
M037A	90440	Conrod set for R25, R25/2, 25/3 with roller cage and crank pin	135,00 €	160,65 €
M037B	90441	Conrod set for R26 (narrow) with roller cage and crank pin	135,00 €	160,65 €
M037BA	904508	Conrod set for R26 (wide) with roller cage and crank pin	135,00 €	160,65 €
M037C	90442	Conrod set for R27 with roller cage and crank pin	135,00 €	160,65 €
M037DA	0090440	Conrod for R25, R25/2, R25/3	90,00 €	107,10 €
M037DB	0090441	Conrod for R26	90,00 €	107,10 €
M037DB	0090443	Conrod for R26, R50, R50/2, R50S	90,00 €	107,10 €
M037DC	0091442	Conrod for R27	90,00 €	107,10 €
M038A	0012000	Piston for BMW R24, R25 and R25/2 - 68,00mm, complete with rings, pin and clips Tuning	100,84 €	120,00 €
M038A2B	12004	Piston for BMW R24-R25/3 - 68,00mm, Original KS/Nüral complete with rings, pin and clips, REMNANTS	134,45 €	160,00 €
M038A2C	0012008	Piston for BMW R24, R25 and R25/2 - 68,50mm, complete with rings, pin and clips Tuning	100,84 €	120,00 €
M038A3B	0012009	Piston for BMW R24, R25 and R25/2 - 69,00mm, complete with rings, pin and clips Tuning	100,84 €	120,00 €
M038A4C	0012010	Piston for BMW R24, R25 and R25/2 - 69,50mm, complete with rings, pin and clips Tuning	100,84 €	120,00 €
M038A5	0012011	Piston for BMW R24, R25 and R25/2 - 70,00mm, complete with rings, pin and clips Tuning	100,84 €	120,00 €
M038AA	912000	Piston for BMW R25/3 - 68,00mm, complete with rings, pin and clips Tuning	100,84 €	120,00 €
M038AB	912008	Piston for BMW R25/3 - 68,50mm, complete with rings, pin and clips Tuning	100,84 €	120,00 €
M038AC	912009	Piston for BMW R25/3 - 69,00mm, complete with rings, pin and clips Tuning	100,84 €	120,00 €
M038AD	912010	Piston for BMW R25/3 - 69,50mm, complete with rings, pin and clips Tuning	100,84 €	120,00 €
M038AE	912011	Piston for BMW R25/3 - 70,00mm, complete with rings, pin and clips Tuning	100,84 €	120,00 €
M038B1	0012110	Piston for BMW R26 - 68,00mm, complete with rings, pin and clips Piston for BMW R50S and R26 Tuning - 68,00mm (67,94mm) complete with rings,	100,84 €	120,00 €
M038B1a	12251	pin and clips	100,84 €	120,00 €
M038B2A	0012115	Piston for BMW R26 - 68,50mm, complete with rings, pin and clips Piston for BMW R50S and R26 Tuning - 68,50mm (67,44mm) complete with rings,	100,84 €	120,00 €
M038B2C	12254	pin and clips	100,84 €	120,00 €
M038B3	0012129	Piston for BMW R26 - 69,00mm, complete with rings, pin and clips Piston for BMW R50S and R26 Tuning - 69,00mm (68,94mm) complete with rings,	100,84 €	120,00 €
M038B3A	12257	pin and clips	100,84 €	120,00 €
M038B4A	0012133	Piston for BMW R26 - 69,50mm, complete with rings, pin and clips Piston for BMW R50S and R26 Tuning - 69,50mm (69,44mm) complete with rings,	100,84 €	120,00 €
M038B4C	922001	pin and clips	100,84 €	120,00 €
M038B5A	0012137	Piston for BMW R26 - 70,00mm, complete with rings, pin and clips Piston for BMW R26 - 70,00mm, complete with rings, pin and clips original,	100,84 €	120,00 €
M038B5B	12116	REMNANTS	134,45 €	160,00 €
M038B5C	922002	Piston für BMW R50S and R26 Tuning - 70,00mm (69,94mm) complete with rings, pin and clips	100,84 €	120,00 €
M038C1	910123	Piston für BMW R27 - 68,00mm, complete with rings, pin and clips	100,84 €	120,00 €
M038C2	910124	Piston for BMW R27 - 68,50mm, complete with rings, pin and clips	100,84 €	120,00 €
M038C3	910125	Piston for BMW R27 - 69,00mm, complete with rings, pin and clips	100,84 €	120,00 €
M038C4	910126	Piston for BMW R27 - 69,50mm, complete with rings, pin and clips	100,84 €	120,00 €
M038C5	910127	Piston for BMW R27 - 70,00mm, complete with rings, pin and clips	100,84 €	120,00 €
M038C6	1200300	Piston for BMW R26 und R27 - 72,00mm, complete with rings, pin and clips 300ccm	100,84 €	120,00 €
M039	999002	Valve guide lock ring, 13mm	0,21 €	0,25 €
M040A	10108	Cylinder base gasket for BMW R24-R27, paper	2,10 €	2,50 €
M040B	1010801	Cylinder base gasket for BMW R24-27, aluminium, 0,5mm	4,54 €	5,40 €



M040C	1010802	Cylinder base gasket for BMW R24-27, aluminium, 1,0mm	4,75 €	5,65 €
M040D	1010803	Cylinder base gasket for BMW R24-27, aluminium, 1,5mm	4,87 €	5,80 €
M041A	10054	Cylinder head gasket for BMW R24-R25/3	4,33 €	5,15 €
M041A	0010054	Cylinder head gasket for BMW R24-R25/3 with silicone rings lapping torsional moment not under 50Nm!	4,87 €	5,80 €
M041B	9054	Cylinder head gasket for BMW R26, R27 and R51/3-R60/2	4,33 €	5,15 €
M041C	0022118	Cylinder head gasket for BMW R26, R27 and R51/3-R60/2 with silicone rings lapping torsional moment not under 50Nm!	4,87 €	5,80 €
M042A	26502	Valve keeper, 2 slotted keyway	2,65 €	3,15 €
M042B	26824	Valve keeper, short cone	2,44 €	2,90 €
M042C	26460	Valve keeper, long cone	2,44 €	2,90 €
M043A	21807	Upper valve plate for 2 slotted keyway	10,29 €	12,25 €
M043B	2068	Upper valve plate, short cone	7,44 €	8,85 €
M043C	21806	Upper valve plate, long cone	7,44 €	8,85 €
M044	26128	Lower valve plate R24-60/2	3,19 €	3,80 €
M045	10027	Valve guide 7mm/13.06mm w/clip	6,55 €	7,79 €
M045a	100271	Valve guide 7mm/13.10mm w/clip	6,55 €	7,79 €
M045b	100272	Valve guide 7mm/13.15mm w/clip	6,55 €	7,79 €
M045c	100273	Valve guide 7mm/13.20mm w/clip	6,55 €	7,79 €
M045d	100274	Valve guide 7mm/13.25mm w/clip	6,55 €	7,79 €
M045e	100275	Valve guide 7mm/13.30mm w/clip	6,55 €	7,79 €
M045f	100276	Valve guide 7mm/13.35mm w/clip	6,55 €	7,79 €
M045g	1002775	Valve guide 7mm/13.40mm w/clip	9,74 €	11,59 €
M045h	1002776	Valve guide 7mm/13.50mm w/clip	9,74 €	11,59 €
M046	11018	Inner valve spring R24-50S	2,44 €	2,90 €
M047	21156	Valve cover nut R24, R25, R26, R27, R51/2	3,32 €	3,95 €
M048	65031	Valve cover bracket, singles and R51/2, used	10,08 €	12,00 €
M049	19054	Valve cover gasket	3,19 €	3,80 €
M050	10033	Valve cover R24, R25, R26, R27, used	18,49 €	22,00 €
M051A	10018	Valve spring set R24-60/2 (4pcs)	10,25 €	12,20 €
M051B	9018	Outer valve spring R24-R60/2	2,90 €	3,45 €
M052	034130	Rocker arm shaft for BMW R25/3, R26 and R27	20,97 €	24,95 €
M052A	0034140	Bushing, rocker arm for BMW R25/3-R27	7,14 €	8,50 €
M052B	0034100	Rocker arm shaft for BMW R24, R25 and R51/2	22,27 €	26,50 €
M053A	51472	Exhaust valve for BMW R24-R60/2, armored, double groove, 32mm	23,53 €	28,00 €
M053B	26107	Exhaust valve for BMW R24-R60/2, armored, short cone, 32mm	23,53 €	28,00 €
M053C	26109	Exhaust valve for BMW R24-R60/2, armored, long cone, 32mm and Intake valve for BMW R25/2	23,53 €	28,00 €
M053D	26170	Intake valve, double groove, 34mm	19,33 €	23,00 €
M053E	26101	Intake valve, short conus, 34mm	19,33 €	23,00 €
M053F	26501	Intake valve, long cone, 34mm	19,33 €	23,00 €
M054	21136	Cylinder head mounting bolt R25/2-R60/2	7,44 €	8,85 €
M055B	21119	Distance washer rocker arm bracket for BMW R25-R69S	0,42 €	0,50 €
M056	34112	Thrust washer for rocker arm for BMW R24-R60/2	2,48 €	2,95 €
M057A	03380	Dowel pin for rocker cover R24, R25, R51/2	3,28 €	3,90 €
M057B	03390	Dowel pin for rocker cover R25/2, R25/3, R26, R27	2,94 €	3,50 €
M058B	10110	Push rod tube for R26, R27 chrome plated, REMNANTS	12,90 €	15,35 €
M058C	10105	Push rod tube for R24, R25, R25/2, R25/3 stainless steel	12,90 €	15,35 €
M058D	10111	Push rod tube for R26, R27 stainless steel	12,90 €	15,35 €
M059	104001	Cylinder head R25, R25/2, R26, R27, overhauled bare without valves Cylinder-head rebuild-job, R24-R60/2 new valve guides, springs, valves (dragged-in)	436,89 €	519,90 €
M059C	30030		117,65 €	140,00 €
M060	10011	Cylinder R26/27, new	490,00 €	583,10 €
M060A	10013	Cylinder bore and hone job, up to 70,00mm	69,33 €	82,50 €
M060A	1001313	Cylinder hone job	8,40 €	10,00 €
M060A	3003030	Cylinderhead planning job	16,81 €	20,00 €
M060B	10014	Cylinder sleeve replacing (68,00mm)	151,26 €	180,00 €
M060E	10004	Cylinder 250cc, rebored, various types, from	378,15 €	450,00 €
M061	37031	Bearing shield camshaft for BMW R25-R27 used	9,20 €	10,95 €
M062	32100	Timing chain R24, R25, R26, R27	7,35 €	8,75 €
M063	38031	Chain wheel, camshaft for BMW R24-R27 used	14,71 €	17,50 €
M063A	38032	Chain wheel, camshaft for BMW R24-R26 Tuning	35,97 €	42,80 €
M063B	0032102	Chain wheel, camshaft for BMW R24-R27 new	26,01 €	30,95 €
M064A	53031	Engine breather spring for BMW R24, R25 and R26 used	1,43 €	1,70 €
M064B	54031	Engine breather spring for BMW R27	2,86 €	3,40 €
M065	52031	Engine breather screw for BMW R24, R25, R26 and R27 used	1,85 €	2,20 €
M066A	33120	Push rod R24, R25, R25/2, R25/3	22,98 €	27,35 €
M066B	33122	Push rod R26/27	22,98 €	27,35 €



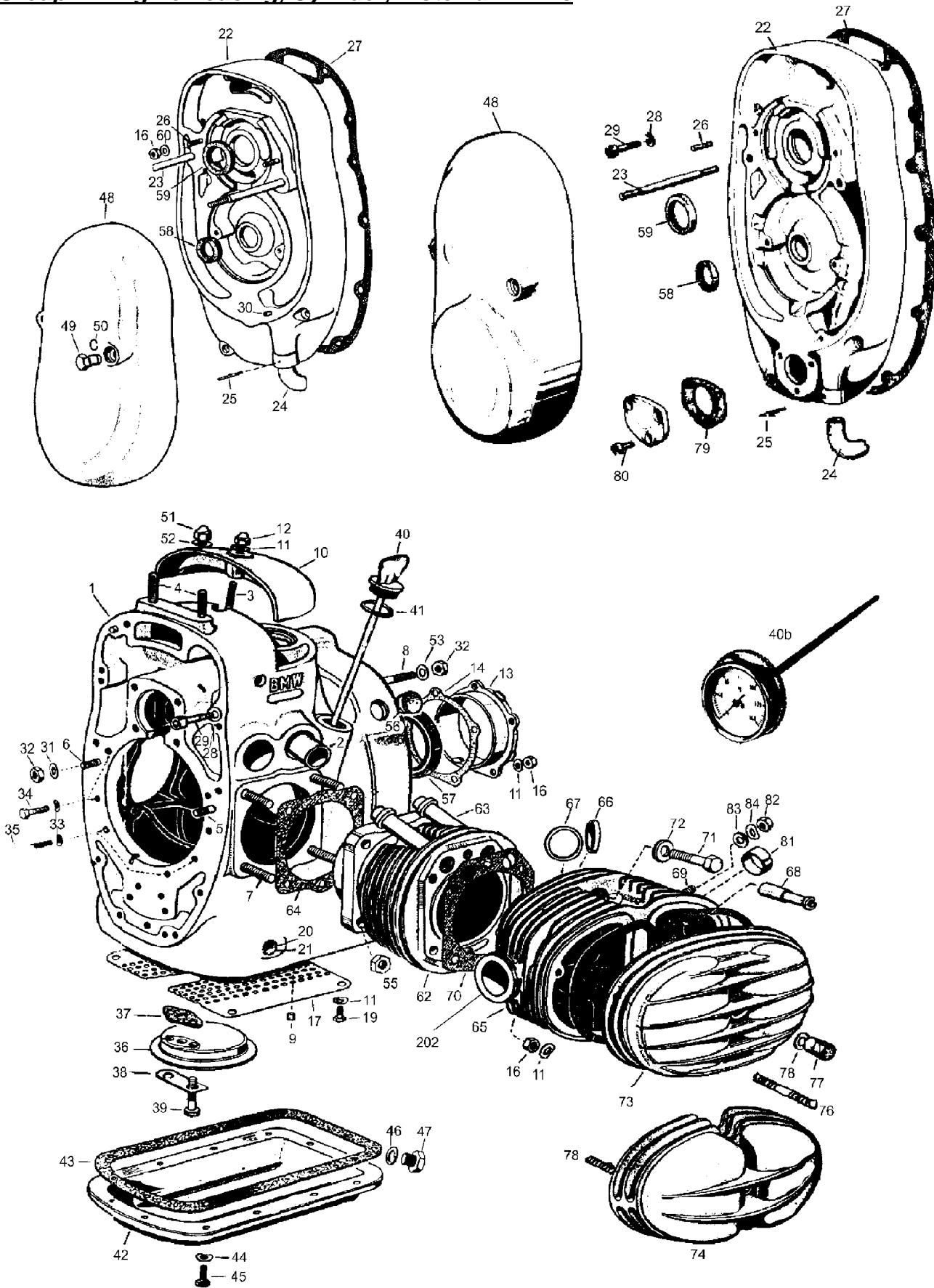
M067	0031000	Camshaft for BMW R24-R26 NEW	205,88 €	245,00 €
M067A	31000	Camshaft for BMW R25, R25/2, R25/3 and R26 used	108,40 €	129,00 €
M067B	31004	Camshaft for BMW R27	226,81 €	269,90 €
M068a	33501	Tappet guide R25/2-R27	30,17 €	35,90 €
M068b	104031	Tappet guide R24, R25, R25/2, R25/3, R26, R27 used	13,20 €	15,71 €
M069	33016	Push rod rubber seal R25, R26, R27	1,51 €	1,80 €
M069a	0020811	Push rod rubber seal R24, R25	2,35 €	2,80 €
M070	34126	Valve adjusting screw R25/2-27	7,14 €	8,50 €
M071A	33127	Tappet R27, R50/2, R60/2 Convex	32,35 €	38,50 €
M071AA	0033100	Tappet R24, R25, R25/2, R25/3, R51/3, R50, R60, Std flat type	32,35 €	38,50 €
M071B	33128	Tappet R27, R50/2, R60/2, 1st oversize convex	32,35 €	38,50 €
M071C	33129	Tappet R27, R50/2, R60/2, 2nd oversize Convex	32,35 €	38,50 €
M072	34128	Valve adjusting nut	0,42 €	0,50 €
M073	30102	Inner lock washer for camshaft for BMW R24-R27, R51/3-R68 and R50-R69S used	1,93 €	2,30 €
M074A	30104	Mounting-srew for camshaft for BMW R24-R69S	0,25 €	0,30 €
M074B	98170	Screw 6x16 allen head, flat	0,25 €	0,30 €
M075	6203	Bearing camshaft R24-R69S, crankshaft R51/3-R69S, front end, with 17mm cone wheel bearing R25-R25/2, pinion shaft R24, auxiliary shaft /5 4-gear box, crankshaft most front R51/3-R69	6,22 €	7,40 €
M076	51414	Woodruff key Camshaft R24-27, R51/2, Oilpump R50/5-R90S ->1975	1,51 €	1,80 €
M077	43031	Engine breather for BMW R24-R26 used	18,49 €	22,00 €
M078	34002	Rocker arm for BMW R24-R69S, complete used, please indicate which motorcycle type!!!	38,32 €	45,60 €
M080	52135	Gasket oil pump screen	0,97 €	1,15 €
M081	52120	Oil pump counter wheel for BMW R24-R27 used	12,78 €	15,21 €
M082	52112	Oil pump wheel for BMW R24-R27 used	12,78 €	15,21 €
M083A	52109	Oil pump cover for BMW R25/2 stainless steel	10,25 €	12,20 €
M083B	52111	Oil pump cover for BMW R25/3, R26 and R27 zincked	7,35 €	8,75 €
M083B	52110	Oil pump cover for BMW R25/3, R26 and R27 stainless steel	11,09 €	13,20 €
M087	52130	Lock plate oilpump/oilpan	1,68 €	2,00 €
M088	63420	Gasket ring oil dipstick also for oil pump cover for BMW R25/3-R27	0,50 €	0,60 €
M089	52116	Oil pump drive shaft for BMW R24-R26 used	16,72 €	19,90 €
M089a	0052116	Oilpump drive shaft for BMW R24-R26 NEW, original BMW, REMNANTS	69,66 €	82,90 €
M090	52106	Oilpump for BMW R24-R27, complete, WITHOUT oil pump screen used	62,94 €	74,90 €
M091	107031	Oil pump screen used	10,08 €	12,00 €
M092B	1056	Oil temperatur dipstick for BMW-models until year of manufacture 1969 length:235mm	37,77 €	44,95 €
M092C	09111	Oil dipstick for BMW R24-R27 polished	25,13 €	29,90 €
M093	70118	Fly wheel lock plate, R24-R25/3	2,77 €	3,30 €
M093a	0016504	Fly wheel lock plate, R26, R27	2,77 €	3,30 €
M094A	70104	Thrust ring clutch for BMW R24, R25 and R25/2, rear	46,01 €	54,75 €
M094B	70100	Thrust ring clutch for BMW R25/3, R26 and R27, rear	52,10 €	62,00 €
M095	61031	Clutch spring for BMW R26 and R27 and Isetta used	31,51 €	37,50 €
M095	6103101	Clutch spring for BMW R25/3 used	31,51 €	37,50 €
M095	6103110	Clutch spring for BMW R26 and R27 and Isetta NEW	48,07 €	57,20 €
M095	6103103	Clutch spring for BMW R25/3 NEW	48,07 €	57,20 €
M096	98454	Spring washer B 6, DIN137 zincked	0,05 €	0,06 €
M097	98155	Screw M6x16 hexagon	0,13 €	0,15 €
M098	68002	Flywheel R24, R25, R25/2 and R25/3, used Please indicate type!	159,66 €	190,00 €
M098	68022	Flywheel R26/27, used	189,03 €	224,95 €
M098A	70108	Fly wheel bolt R25, R25/2	13,36 €	15,90 €
M099	70500	Pressure plate clutch for BMW R26 and R27, front	69,03 €	82,15 €
M099A	70112	Pressure plate clutch for BMW R24, R25 and R25/2, front NEW – ORIGINAL BMW REMNANTS !!!	67,14 €	79,90 €
M099B	70010	Pressure plate clutch for BMW R25/3, front	68,91 €	82,00 €
M100A	6054	Clutch friction disc for BMW R24, R25 and R25/2	43,70 €	52,00 €
M100B	1054	Clutch friction disk for BMW R25/3, R26 and R27	43,70 €	52,00 €
M101	7018	Clutch spring for BMW R24, R25 and R25/2, Set (=3 pieces)	15,13 €	18,00 €
M102	99922	Chain tensioner set for BMW R24-R27 complete	12,02 €	14,30 €
M103	32110	Chain tensioner slide for BMW R24-R27	6,01 €	7,15 €
M104	32535	Chain tensioner spring for BMW R24-R27	4,45 €	5,30 €
M105	99011	Bolt for chain tensioner for BMW R24-R27	2,44 €	2,90 €
M106	98562	Dowel pin for engine/gearbox R50-R69S and carburator flange R25-R69S	3,32 €	3,95 €
M108A	16002	Crankshaft for BMW R24, R25, R25/2 and R25/3 IN EXCHANGE	208,40 €	248,00 €
M108AA	0016002	Crankshaft for BMW R24, R25, R25/2 and R25/3 NEW	281,22 €	334,65 €
M108B	16003	Crankshaft for BMW R26 IN EXCHANGE	208,40 €	248,00 €
M108BA	0016003	Crankshaft for BMW R26 NEW	281,22 €	334,65 €
M108BAA	1016003	Crankshaft for BMW R26, 72mm Hub NEW	381,22 €	453,65 €



M108BAAA	1016004	Crankshaft for BMW R26, 72mm Hub IN EXCHANGE	275,00 €	327,25 €
M108C	16020	Crankshaft for BMW R27 IN EXCHANGE	208,40 €	248,00 €
M108CA	0016020	Crankshaft for BMW R27 NEW	281,22 €	334,65 €
M108CAA	1016020	Crankshaft for BMW R27, 72mm Hub NEW	381,22 €	453,65 €
M108CAA	1016021	Crankshaft for BMW R27, 72mm Hub IN EXCHANGE	275,00 €	327,25 €
M110	1068	Repair of exhaust thread (when a rest of your old thread still exists)	107,56 €	128,00 €
M111	00094	Spark-thread repair	118,07 €	140,50 €
M111	98501	Thread insert for short spark plug	4,16 €	4,95 €
M111	98502	Thread insert for long spark plug, for BMW R50/2, R60/2 and R69S	5,00 €	5,95 €
M112A	1017	Copper paste, 7ml	1,51 €	1,80 €
M112B	46011	Copper paste, 100 gr	8,32 €	9,90 €
M113	03209	Dowel pin for valve cover R51/3-69S (small) timing case, gearbox cover	1,51 €	1,80 €
M114A	024571	Sealing compound (Elastic gasket grease), 85ml	10,84 €	12,90 €
M114B	024570	Sealing compound (Elastic gasket grease), 40ml Hylomar M	4,96 €	5,90 €
M114C	024573	Sealing compound, Curil K, (gasket grease), 75ml	9,16 €	10,90 €
M115	98564	Dowel pin engine/gearbox R24-R27	2,69 €	3,20 €
M116A	3064	Bearing crankshaft for BMW R26 and R27, rear and R51/2-R69S and crownwheel for BMW R51/3-R68, outer	12,44 €	14,80 €
M116B	1085	Bearing crankshaft for BMW R26 and R27, rear and R51/2-R69S reinforced, with nylon cage, higher bearing play	45,80 €	54,50 €
M116C	1086	Bearing crankshaft for BMW R26 and R27, rear and R51/2-R69S nylon cage	41,93 €	49,90 €
M116D	90085	Bearing crankshaft for BMW R26 and R27, rear and R51/2-R69S with brass cage, higher bearing play	62,94 €	74,90 €
M116E	9008599	Bearing crankshaft for BMW R26 and R27, rear and R51/2-R69S with brass cage, reinforced	62,94 €	74,90 €



Group N: Engine housing, Cylinder, Piston all Twins



<u>Picture-No.</u>	<u>Article-No.</u>	<u>Description</u>	<u>Net</u>	<u>Gross</u>
N	22082	Spring washer B 8, DIN137A zincked	0,08 €	0,10 €
N000	600016	Engine gasket set (no.M07), R68, R69, complete	56,26 €	66,95 €
N000	98180	cylinder head screw M 6x25 with slot e.c. wheel case cover R51/2 (9 screws needed)	0,29 €	0,35 €
N000A	600005	Engine gasket set (No.M06), for BMW R51/3-R67/3, complete	56,26 €	66,95 €



N000B	600006	Engine gasket set (No.M08) for BMW R50 and R60 "old", complete	56,26 €	66,95 €
N000C	600007	Engine gasket set (No.M09) for BMW R50/2, R50S, R60/2, complete	56,26 €	66,95 €
N000D	600010	Engine gasket set (No.M10), for BMW R69S, complete	56,26 €	66,95 €
N000E	600013	Engine gasket set (No.M05), for BMW R51/2, complete	58,74 €	69,90 €
N000F	9913470	Hex bolt bearing plate 1-cylinder and alternator cover R51/2	0,30 €	0,36 €
N001	8036188	Grommet for Ignition Timing R51/2, R68, R69	10,50 €	12,50 €
N001A	01005	Engine housing for BMW R51/3-R60 "early" used	252,10 €	300,00 €
N001B	01031	Engine housing for BMW R50/2-R69S used, price from	420,17 €	500,00 €
N003	98558	Dowel pin for engine breather cover R51/3-R69S	3,53 €	4,20 €
N003	03209	Dowel pin for valve cover R51/3-69S (small) timing case, gearbox cover	1,51 €	1,80 €
N004	98562	Dowel pin for engine/gearbox R50-R69S and carburator flange R25-R69S	3,32 €	3,95 €
N007	1241928	Dowel pin rear drive/swing arm R50/5-R100 ->84	2,10 €	2,50 €
N007	9903416	Dowel pin for cylinder base, R24-R69S	5,00 €	5,95 €
N008A	98566	Dowel pin engine/gearbox R51/2-R68	3,28 €	3,90 €
N008B	98562	Dowel pin for engine/gearbox R50-R69S and carburator flange R25-R69S	3,32 €	3,95 €
N010	106031	Cover for engine breather for BMW R51/3-R69S used	9,20 €	10,95 €
N011	98454	Spring washer B 6, DIN137 zincked	0,05 €	0,06 €
N012A	32070	Knurled nut for breather cover R51/3-68	2,56 €	3,05 €
N012B	99006	Cap nut M 6 stainless steel	0,84 €	1,00 €
N012B	0002193	Cap nut for engine breather cover for BMW R50-R69S Original REMNANTS!!!	2,48 €	2,95 €
N013A	01162	Bearing shield crankshaft for BMW R51/3, R50 "old", R60 "old" and R67, rear	70,00 €	83,30 €
N013B	79001	Bearing shield crankshaft for BMW R68, R50/2, R60/2, R69 and R69S, rear	70,00 €	83,30 €
N014	01164	Gasket bearing shield for BMW R51/3-R69S	1,43 €	1,70 €
N016	98323	Nut M 6 zincked	0,13 €	0,15 €
N017	01116	Oil sieve, used	7,39 €	8,79 €
N019	98156	Screw M6x10 hexagon	0,13 €	0,15 €
N022A	7031	Timing cover R50/2-R69S, used	168,07 €	200,00 €
N022B	6031	Timing cover R51/3-R50"early", used	109,24 €	130,00 €
N023A	01178	Dowel pin for generator cover R51/3-R67, M6/M6	8,36 €	9,95 €
N023B	01177	Dowel pin for generator cover R51/3-R69S M8/M6	7,73 €	9,20 €
N024	02167	Engine breather pipe for BMW R51/3-R50 zincked, with angular end	10,76 €	12,80 €
N024A	02166	Engine breather pipe for BMW R50/2-R69S, short zincked with straight end	10,76 €	12,80 €
N027A	92172	Timing cover gasket R51/3-R69S	2,94 €	3,50 €
N027B	02164	Timing cover gasket R51/2	10,00 €	11,90 €
N028	98411	Washer cinked	0,05 €	0,06 €
N029	98168	Screw M 6x40 allen-head	0,25 €	0,30 €
N036	107031	Oil pump screen used	10,08 €	12,00 €
N037	52135	Gasket oil pump screen	0,97 €	1,15 €
N038	52130	Lock plate oilpump/oilpan	1,68 €	2,00 €
N039	98159	Screw M6x30 hexagon	0,15 €	0,18 €
N040A	09126	Oil dipstick for BMW R51/3-R69S polished	25,13 €	29,90 €
N040B	09127	Oil dipstick for BMW R51/3-R69S used	15,13 €	18,00 €
N040B	1056	Oil temperatur dipstick for BMW-models until year of manufacture 1969 length:235mm	37,77 €	44,95 €
N041	63420	Gasket ring oil dipstick also for oil pump cover for BMW R25/3-R27	0,50 €	0,60 €
N042A	63031	Oil pan for BMW R51/3-R69S used	29,41 €	35,00 €
N042B	07029	Oil pan for BMW R51/3-R69S with distance piece for oil screen Capacity: 2,5 liter, aluminium	83,11 €	98,90 €
N043A	07156	Oil pan gasket for BMW R51/3-R69S, Cork	3,99 €	4,75 €
N043A	0007156	Oil pan gasket for BMW R51/3-R69S, Paper	4,79 €	5,70 €
N043B	07150	Oil pan gasket for BMW R51/2, Cork	8,32 €	9,90 €
N044	98454	Spring washer B 6, DIN137 zincked	0,05 €	0,06 €
N046	2027	Gasket ring oil drain screw, M14x20x2	0,67 €	0,80 €
N047	07163	Oil drain screw, M14, magnetic zincked	3,19 €	3,80 €
N048	02187	Generator cover for BMW R50-R69S, 12V three-phase current	109,16 €	129,90 €
N048B	117031	Generator cover for BMW R51/3-R69S, 6V used	100,00 €	119,00 €
N049	02191	Generator cover nut for BMW R51/3-R69S, hexagon with locking ring, wrench size 10	5,50 €	6,55 €
N049A	0001194	Generator cover nut for BMW R51/2-R68 until year of manufacture 1954, slotted	14,87 €	17,70 €
N050	07161	Lock ring for tool box screw	0,29 €	0,35 €
N051A	99008	Cap nut M 8 zincked	0,80 €	0,95 €
N051B	99007	Cap nut M 8 stainless steel	1,60 €	1,90 €
N055A	37789	Cylinder base 12-point nut for cardan coupling	2,31 €	2,75 €
N055B	85002	Cylinder base nut 6-point for BMW R24-R60S, wrench size 14mm, M10 zincked	1,51 €	1,80 €
N055C	98370	Cylinder base nut 6-point for BMW R24-R60S, wrench size 14mm, M10 stainless steel	2,35 €	2,80 €
N056A	01106	Black rubber plug for timing control hole	1,26 €	1,50 €
N056B	43016	White rubber plug for timing control hole	1,26 €	1,50 €

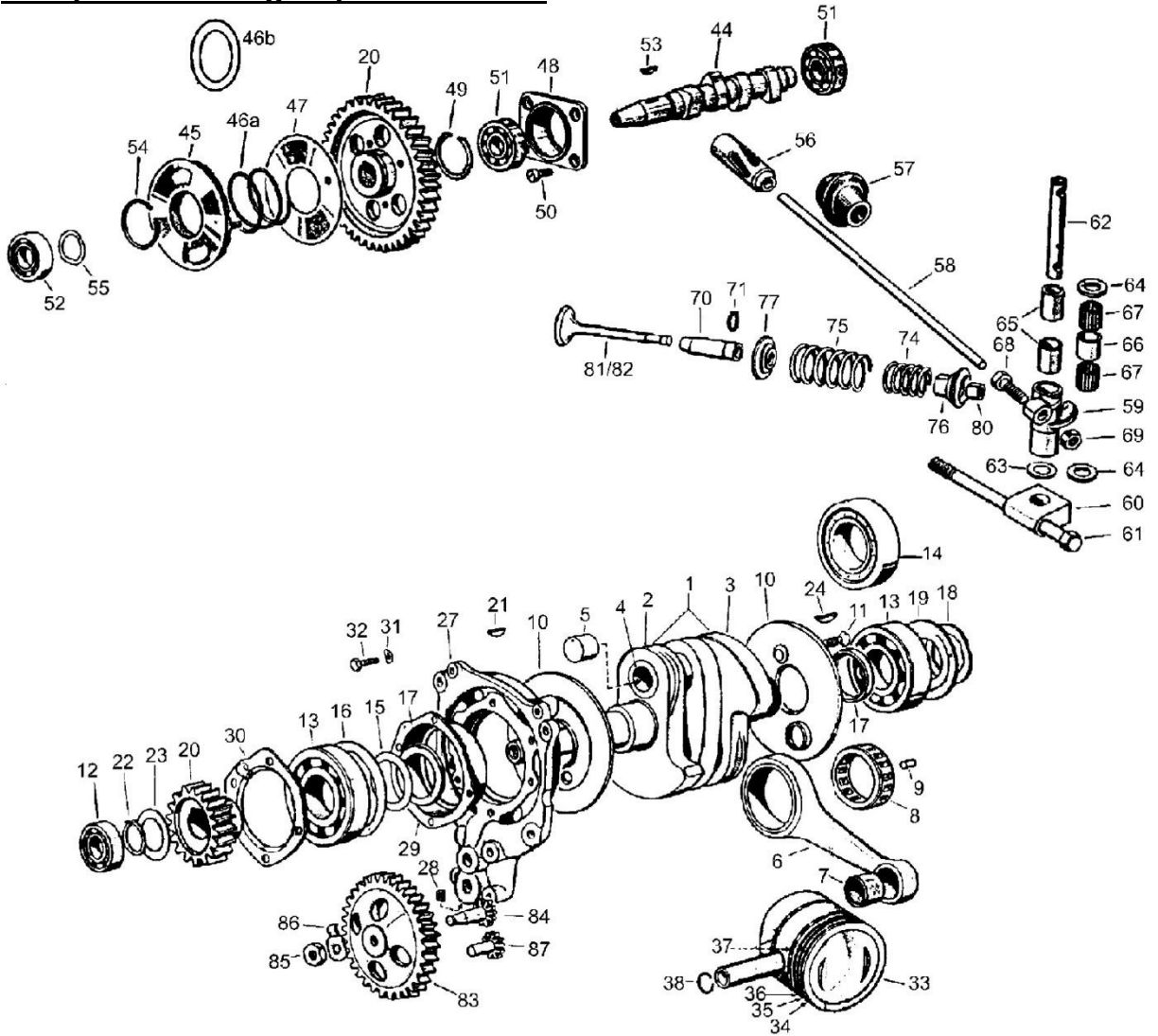


N057A	01122	Seal-ring, crankshaft rear R26/27, R51/3-R69S	8,82 €	10,50 €
N057A	0112201	Seal-ring, crankshaft rear R26/27, R51/3-R69S "VITON" with spin	17,23 €	20,50 €
N057B	01123	Seal-ring, crankshaft rear R26-69S, silicone white	10,76 €	12,80 €
N057C	16220	Seal-ring, crankshaft rear R51/2	10,04 €	11,95 €
N057D	01124	Seal-ring, crankshaft R26-69S, silicon with spin	13,36 €	15,90 €
N057E	99204	Flywheel seal repair set R26/27, R51/3-R69S	41,60 €	49,50 €
N057F	99196	Repair set for flywheel seal-seat, R51/2 and more pre-war BMWs	35,29 €	42,00 €
N058A	02196	Seal-ring crankshaft front R51/3-60, Kick start bumper R24-R27, R50-R69S / 5 + 5 speed gearbox	3,70 €	4,40 €
N058B	02197	Seal-ring crank R50/2-R69S, kick starter R51/3-R68 cam shaft R60/6-R100	3,70 €	4,40 €
N059A	56562	Seal-ring, wheel and camshaft R51/3-69S	3,91 €	4,65 €
N059B	002190	Seal-ring camshaft R51/2 and pre-war	3,36 €	4,00 €
N059C	02199	Seal-ring camshaft R68,69	4,20 €	5,00 €
N062A	10031	Cylinder R60, R60/2, used ASK FOR STOCK, please indicate size !!!	403,36 €	480,00 €
N062B	10013	Cylinder bore and hone job, up to 70,00mm	69,33 €	82,50 €
N062B	1001313	Cylinder hone job	8,40 €	10,00 €
N062B	3003030	Cylinderhead planning job	16,81 €	20,00 €
N062C	10012	Cylinder bore & hone job (72mm->)	85,00 €	101,15 €
N062D	10014	Cylinder sleeve replacing (68,00mm)	151,26 €	180,00 €
N062E	10015	Cylinder sleeve replacing (72,00mm)	161,34 €	191,99 €
N063	50213	Push rod tube for R68, R69, R69S stainless steel	13,36 €	15,90 €
N063	0010152	Push rod tube for R67, R67/2, R67/3 stainless steel	20,97 €	24,95 €
N063A	0101150	Push rod tube for R51/2	20,97 €	24,95 €
N063B	50215	Push rod tube for R50, R50/2, R50S stainless steel	13,36 €	15,90 €
N063B	0010151	Push rod tube for R51/3 stainless steel	20,97 €	24,95 €
N063c	0050213	Push rod tube for R60, R60/2 stainless steel	13,36 €	15,90 €
N064A	10158	Cylinder base gasket for BMW R51/3-R69S, special seal paper	1,93 €	2,30 €
N064B	10161	Cylinder base gasket for BMW R50-R69S, aluminium, 0,5mm	2,52 €	3,00 €
N064C	10163	Cylinder base gasket for BMW R50-R69S, aluminium, 1,5mm	3,99 €	4,75 €
N064D	10154	Cylinder base gasket for BMW R51/2, paper	2,94 €	3,50 €
N065A	21042	Cylinder-head R50-R60/2, left, overhaul without valves	436,89 €	519,90 €
N065A	21041	Cylinder-head R50/2, R60/2, right, overhaul without valves	436,89 €	519,90 €
N065B	2104202	Cylinder-head R50-R60/2, left, overhaul ready to mount	529,33 €	629,90 €
N065B	2104101	Cylinder-head R50-R60/2, right, overhaul ready to mount	529,33 €	629,90 €
N065C2	021031	Cylinder-head R69S right, new, without valves REMNANTS	756,30 €	900,00 €
N065D	30030	Cylinder-head rebuild-job, R24-R60/2 new valve guides, springs, valves (dragged-in)	117,65 €	140,00 €
N065E	29030	Cylinder-head rebuild-job R69S, R60/5-R80/7 Sent in ALL parts!	120,00 €	142,80 €
N066A	00095	Valve seat replacing (incl.work)	100,84 €	120,00 €
N066B	21122	Intake valve seat R68, R69, R69S	15,88 €	18,90 €
N066C	54126	Intake valve seat R25-R50S, R67-/2, R60-/2	14,20 €	16,90 €
N067A	21123	Exhaust valve seat R68, R69, R69S	16,72 €	19,90 €
N067B	53700	Exhaust valve seat R25-R50S, R67-/3, R60-/2	16,72 €	19,90 €
N069	98562	Dowel pin for engine/gearbox R50-R69S and carburator flange R25-R69S	3,32 €	3,95 €
N070A	9054	Cylinder head gasket for BMW R26, R27 and R51/3-R60/2	4,33 €	5,15 €
N070AB	0022118	Cylinder head gasket for BMW R26, R27 and R51/3-R60/2 with silicone rings lapping torsional moment not under 50Nm!	4,87 €	5,80 €
N070B	21148	Cylinder head gasket for BMW R51/2	5,00 €	5,95 €
N070C	22168	Cylinder head gasket for BMW R68, R69 and R69S with silicone rings lapping torsional moment not under 50Nm!	4,87 €	5,80 €
N071	22108	Cylinder head mounting screw R69S short	5,46 €	6,50 €
N072	22166	Washer for cylinder head screw R69, R69S	3,07 €	3,65 €
N072	98501	Thread insert for short spark plug	4,16 €	4,95 €
N073	80030	Valve cover R51/3-60/2	54,20 €	64,50 €
N074	23027	Valve cover R68, R69, R69S	83,82 €	99,75 €
N074a	0023025	Valve cover for BMW R50S	116,72 €	138,90 €
N075A	19054	Valve cover gasket	3,19 €	3,80 €
N075B	18054	Valve cover gasket R68, R69, R69S	4,03 €	4,80 €
N076A	08142	Dowel pin for valve cover R68-R69S, R50/5-R100 (center)	3,19 €	3,80 €
N076B	08329	Dowel pin for valve cover R51/3-60/2 (center)	4,12 €	4,90 €
N076C	03380	Dowel pin for rocker cover R24, R25, R51/2	3,28 €	3,90 €
N077	102001	Chrome nut for valve cover R51/3-R69S	3,32 €	3,95 €
N078	03209	Dowel pin for valve cover R51/3-69S (small) timing case, gearbox cover	1,51 €	1,80 €
N079	02171	Gasket for revolution counter cover	2,10 €	2,50 €
N079a	42161	Pin for revolution counter drive for BMW R50/2-R69S	0,29 €	0,35 €
N079b	80159	Revolution counter drive for BMW R50-R69S for gear oil pump wheel	382,35 €	455,00 €
N079c	52169	Revolution counter gear on oilpump drive for BMW R50-R69S	42,86 €	51,00 €
N079d	0052165	Nut left-hand thread with bund for counter-gear rpm transmission for BMW R50-69S	3,78 €	4,50 €

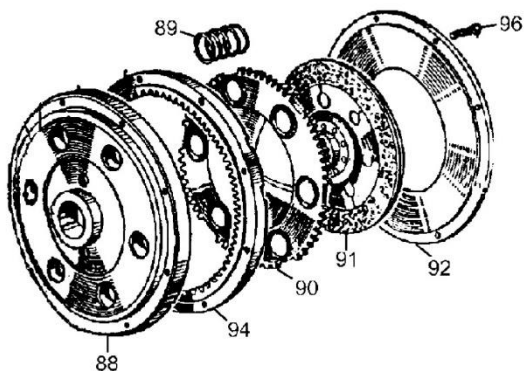


N079e	9932104	Spring washer for revolution counter gear (articiel 52169), on oilpump drive for BMW R50-R69S	0,50 €	0,60 €
N080	98165	Screw M6x16, allen-head	0,17 €	0,20 €
N081	43168	Centering bushing carburettor for BMW R69S	4,12 €	4,90 €
N202	1068	Repair of exhaust thread (when a rest of your old thread still exists)	107,56 €	128,00 €
N203	90139	Wrench for finned exhaust nut forged steel, professional workshop quality	23,53 €	28,00 €
N204	00094	Spark-thread repair	118,07 €	140,50 €
N204A	46011	Copper paste, 100 gr	8,32 €	9,90 €
N204B	1017	Copper paste, 7ml	1,51 €	1,80 €

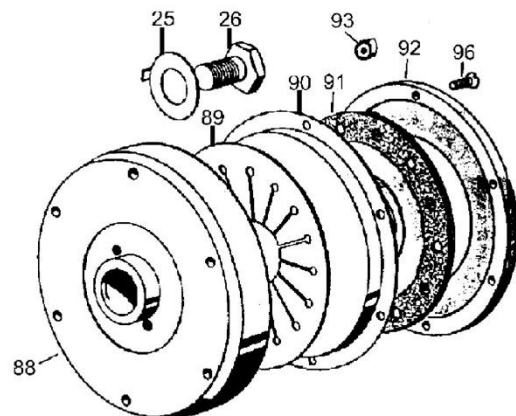
Group W: Inner engine parts all Twins



R51/2-R68



R50-69S





<u>Picture-No.</u>	<u>Article-No.</u>	<u>Description</u>	<u>Net</u>	<u>Gross</u>
W0002A	0016234	Crank pin for BMW R51/3 and R50 "old"	24,58 €	29,25 €
W0002B	0016262	Crank pin for BMW R50/2 and R50S	24,58 €	29,25 €
W0002C	02016246	Crank pin for BMW R50/2 and R50S, long	24,58 €	29,25 €
W0002D	0016233	Crank pin for BMW R67-R67/3 and R60 "old"	29,75 €	35,40 €
W0002E	0016231	Crank pin for BMW R68, R69 and R60/2, conical	29,75 €	35,40 €
W0002F	0016263	Crank pin for BMW R60/2 and R69S	29,75 €	35,40 €
W0002G	10016263	Crank pin for BMW R60/2 and R69S, long	29,75 €	35,40 €
W001	16039	Crankshaft for BMW R50 IN EXCHANGE	403,36 €	480,00 €
W001A	16060	Crankshaft for BMW R50/2 and R50S IN EXCHANGE	403,36 €	480,00 €
W001B	16027	Crankshaft for BMW R51/3 IN EXCHANGE	403,36 €	480,00 €
W001C	16045	Crankshaft for BMW R60 IN EXCHANGE	403,36 €	480,00 €
W001CA	0016045	Crankshaft for BMW R60 (old version) NEW	924,37 €	1.100,00 €
W001D	16062	Crankshaft for BMW R60/2, 125er Conrod IN EXCHANGE	403,36 €	480,00 €
W001DA	0016062	Crankshaft for BMW R60/2, 125er Conrod NEW	924,37 €	1.100,00 €
W001DAB	0016063	Crankshaft for BMW R60/2, 125er Conrod reinforced center, NEW	924,37 €	1.100,00 €
W001E	16031	Crankshaft for BMW R67, R67/2 and R67/3 IN EXCHANGE	403,36 €	480,00 €
W001EA	0016031	Crankshaft for BMW R67, R67/2 and R67/3 NEW	924,37 €	1.100,00 €
W001F	16035	Crankshaft for BMW R68 and R69 IN EXCHANGE	403,36 €	480,00 €
W001FA	0016036	Crankshaft for BMW R68 and R69 NEW	924,37 €	1.100,00 €
W001G	16066	Crankshaft for BMW R69S IN EXCHANGE	403,36 €	480,00 €
W001N	0016066	Crankshaft for BMW R69S NEW	924,37 €	1.100,00 €
W001NA	0016067	Crankshaft for BMW R69S reinforced center, NEW	924,37 €	1.100,00 €
W003	0016285	Crankweb for BMW R60/2, R68, R69 and R69S, rear NEW	319,33 €	380,00 €
W006AA	90443	Conrod set for R51/2 with roller cage and crank pin	135,00 €	160,65 €
W006AB	90444	Conrod set for R51/3 with roller cage and crank pin	135,00 €	160,65 €
W006B	90445	Conrod set for R67 with roller cage and crank pin	135,00 €	160,65 €
W006C	90446	Conrod set for R50 with roller cage and crank pin	135,00 €	160,65 €
W006D	90447	Conrod set for R50/2, R50S with roller cage and crank pin	135,00 €	160,65 €
W006D	9044701	Conrod set for R50/2, R50S (long) with roller cage and crank pin	135,00 €	160,65 €
W006E	90448	Conrod set for R60/2 (125mm) with roller cage and cylindrical crank pin	135,00 €	160,65 €
W006EA	90451	Conrod set for R60/2 (125mm) with roller cage and conic crank pin	135,00 €	160,65 €
W006F	90449	Conrod set for R60 (130mm) with roller cage and crank pin	135,00 €	160,65 €
W006G	90450	Conrodset for R69S with roller cage and crank pin	135,00 €	160,65 €
W006GA	904418	Conrod set for R68, R69 with roller cage and crank pin	135,00 €	160,65 €
W006GA	90452	Conrod set R69S (long for last model) with roller cage and crank pin	135,00 €	160,65 €
W006HA	0090441	Conrod for R26	90,00 €	107,10 €
W006HA	0090443	Conrod for R26, R50, R50/2, R50S	90,00 €	107,10 €
W006HB	0090442	Conrod for R60/2	84,37 €	100,40 €
W006HC	0092441	Conrod for R51/3	90,00 €	107,10 €
W006HD	0092442	Conrod for R51/2, R60, R67, R68, R69, R69S	84,37 €	100,40 €
W006HD	0092443	Conrod for R51/2	84,37 €	100,40 €
W006HD	0092444	Conrod for R67	84,37 €	100,40 €
W007A	4027	Piston pin bushing für BMW R24-R25/3 and R51/2-R67/3 18mm	7,39 €	8,80 €
W007B	3027	Piston pin bushing for BMW R26, R27 and R50-R69S 20mm	7,39 €	8,80 €
W008A	17720	Roller cage for 5mm rollers, big	28,12 €	33,46 €
W008B	16128	Roller cage, boxer, used	28,12 €	33,46 €
W008C	0168124	Conrod bearing 32x42x15,2, silver	30,25 €	36,00 €
W009A	16824	Conrod roller 5x10.00	0,41 €	0,49 €
W009B	168245	Conrod roller 5x10 +0,04	0,41 €	0,49 €
W009B	168246	Conrod roller 5x10 +0,05	0,41 €	0,49 €
W009B	168244	Conrod roller 5x10 +0,03	0,41 €	0,49 €
W009B	168243	Conrod roller 5x10 +0,02	0,41 €	0,49 €
W009B	168241	Conrod roller 5x10 +0,01	0,41 €	0,49 €
W009C	168247	Conrod roller 7x10 +0,02	0,41 €	0,49 €
W009C	168248	Conrod roller 7x10 +0,03	0,41 €	0,49 €
W009C	168249	Conrod roller 7x10 +0,04	0,41 €	0,49 €
W009C	168250	Conrod roller 7x10 +0,05	0,41 €	0,49 €
W009C	168250	Conrod roller 7x10 +0,05	40,00 €	47,60 €
W009C	168250	Conrod roller 7x10 +0,05	50,00 €	59,50 €
W009C	16140	Conrod roller 7x10.00	0,41 €	0,49 €
W009D	168242	Conrod roller 7x10 +0,01	0,41 €	0,49 €
W010A	16216	Oil slinger for BMW R51/2, R51/3 and R50 "old"	12,60 €	14,99 €
W010B	16217	Oil slinger for BMW R67, R67/2, R67/3 and R60 "old"	12,60 €	14,99 €
W010C	16219	Oil slinger for BMW R50/2 and R50S	12,60 €	14,99 €
W010D	16221	Oil slinger for BMW R60/2 and R69S	12,60 €	14,99 €
W010DA	16218	Oil slinger for BMW R68 and R69	17,73 €	21,10 €



W011	00106	Screw for oil slinger	0,46 €	0,55 €
W012	6203	Bearing camshaft R24-R69S, crankshaft R51/3-R69S, front end, with 17mm cone wheel bearing R25-R25/2, pinion shaft R24, auxiliary shaft /5 4-gear box, crankshaft most front R51/3-R69	6,22 €	7,40 €
W012A	7064	Bearing crankshaft for BMW R50/2, R60/2 and R69S, front end with 20mm cone	7,14 €	8,50 €
W013A	3064	Bearing crankshaft for BMW R26 and R27, rear and R51/2-R69S and crownwheel for BMW R51/3-R68, outer	12,44 €	14,80 €
W013B	1085	Bearing crankshaft for BMW R26 and R27, rear and R51/2-R69S reinforced, with nylon cage, higher bearing play	45,80 €	54,50 €
W013C	1086	Bearing crankshaft for BMW R26 and R27, rear and R51/2-R69S nylon cage	41,93 €	49,90 €
W013D	90085	Bearing crankshaft for BMW R26 and R27, rear and R51/2-R69S with brass cage, higher bearing play	62,94 €	74,90 €
W013E	9008599	Bearing crankshaft for BMW R26 and R27, rear and R51/2-R69S with brass cage, reinforced	62,94 €	74,90 €
W014A	1065	Spherical roller bearing (plastic cage) R51/2- 69S, crank shaft rear	136,89 €	162,90 €
W014B	1066	Spherical roller bearing (solid brass cage) R51/3- R69S crank shaft rear	159,58 €	189,90 €
W015A	16268	Spacer ring for crankshaft for BMW R50/2-R69S front	4,62 €	5,50 €
W015B	16240	Spacer ring crankshaft for BMW R51/3-R60 early front	3,32 €	3,95 €
W016	0016244	Distance washer crank shaft bearing for BMW R51/3-R67/3, front and R50/R60 "old" (not for /2 models), (crank shaft with 17mm Konus)	7,23 €	8,60 €
W017A	16212	Spacer ring for crankshaft for BMW R51/3-R67, R50/60 old (4,2mm) front and rear	3,78 €	4,50 €
W017B	0016266	Spacer ring for crankshaft for BMW R50/2-R69S rear	3,78 €	4,50 €
W018	16130	Spring washer for crankshaft for BMW R26, R27 and R50-R69S, rear	2,27 €	2,70 €
W019	16252	Oil splash plate for crankshaft for BMW R51/3-R69S	4,58 €	5,45 €
W020	16389	Timing gear set R51/3-69S. Two gears w/designation. Only the newer gearing is available. We need the size !	323,40 €	384,85 €
W020C	32129	Timing chain R51, R51/2	58,74 €	69,90 €
W021	51480	Woodruff key for crankshaft R51/3-R100 front, crank shaft rear R24-R25/2, camshaft R50/5->	1,51 €	1,80 €
W022	34171	Lock ring 25x1.2, crankshaft 51/3-60 old	0,42 €	0,50 €
W024	16132	Woodruff key for crankshaft R25/3-R69S, rear	2,10 €	2,50 €
W025	16224	Fly wheel lock plate R51/2, R51/3, R67	2,77 €	3,30 €
W025a	0016225	Fly wheel lock plate R68, R50-R69S	3,28 €	3,90 €
W026A	16228	Fly wheel screw R51/3-67/3, SW 36	13,36 €	15,90 €
W026B	16251	Flywheel bolt R50-69S SW 41	13,28 €	15,80 €
W027	109001	Bearing shield crankshaft for BMW R50/2, R60/2, R69 and R69S, front NEW	173,82 €	206,85 €
W027A	02029	Bearing shield crankshaft for BMW R51/3-R67/3, front used	143,10 €	170,29 €
W027B	02151	Bearing shield crankshaft for BMW R50 and R60 "old", front used	142,77 €	169,90 €
W029	02156	Bearing shield bushing crankshaft for BMW R51/3-R69S, front used	20,97 €	24,95 €
W030A	02176	Bearing shield cover for BMW R51/3-R67/3, R50 and R60 "old" used	30,68 €	36,51 €
W030B	02174	Bearing shield cover for BMW R50/2-R69S and R68 used	30,67 €	36,50 €
W032	9913499	Screw oilpump-cover R60/6-R100RT, 09/76->	0,42 €	0,50 €
W033	9912250	Piston for BMW R50S - 68,00mm (67,93mm), complete with rings, pin and clips Original Nüral, REMNANTS	140,25 €	166,90 €
W033A1	12294	Piston for BMW R50 and R50/2 - 68,00mm, complete with rings, pin and clips	100,84 €	120,00 €
W033A2	12295	Piston for BMW R50 and R50/2 - 68,50mm, complete with rings, pin and clips	100,84 €	120,00 €
W033A4	12296	Piston for BMW R50 and R50/2 - 69,00mm, complete with rings, pin and clips	100,84 €	120,00 €
W033A6	12297	Piston for BMW R50 and R50/2 - 69,50mm, complete with rings, pin and clips	100,84 €	120,00 €
W033A6	2297695	Piston for BMW R50 and R50/2 - 69,50mm, complete with rings, pin and clips KS	134,45 €	160,00 €
W033A7	12298	Piston for BMW R50 and R50/2 - 70,00mm, complete with rings, pin and clips	100,84 €	120,00 €
W033A7	1229870	Piston for BMW R50 and R50/2 - 70,00mm, complete with rings, pin and clips original	134,45 €	160,00 €
W033A7	1229669	Piston for BMW R50 and R50/2 - 69,00mm, complete with rings, pin and clips original	134,45 €	160,00 €
W033B	12251	Piston for BMW R50S and R26 Tuning - 68,00mm (67,94mm) complete with rings, pin and clips	100,84 €	120,00 €
W033B1	12254	Piston for BMW R50S and R26 Tuning - 68,50mm (67,44mm) complete with rings, pin and clips	100,84 €	120,00 €
W033B2	12257	Piston for BMW R50S and R26 Tuning - 69,00mm (68,94mm) complete with rings, pin and clips	100,84 €	120,00 €
W033B3	922001	Piston for BMW R50S and R26 Tuning - 69,50mm (69,44mm) complete with rings, pin and clips	100,84 €	120,00 €
W033B4	922002	Piston für BMW R50S and R26 Tuning - 70,00mm (69,94mm) complete with rings, pin and clips	100,84 €	120,00 €
W033C1	12050	Piston for BMW R51/2 und R51/3 - 68,00mm, complete with rings, pin and clips	100,84 €	120,00 €
W033C2	12051	Piston for BMW R51/2 und R51/3 - 68,50mm, complete with rings, pin and clips	100,84 €	120,00 €
W033C3	12052	Piston for BMW R51/2 und R51/3 - 69,00mm, complete with rings, pin and clips	100,84 €	120,00 €
W033C4	12053	Piston for BMW R51/2 und R51/3 - 69,50mm, complete with rings, pin and clips	100,84 €	120,00 €
W033C5	12054	Piston for BMW R51/2 und R51/3 - 70,00mm, complete with rings, pin and clips	100,84 €	120,00 €
W033D1	012227	Piston for BMW R60 old - 72,00mm, complete with rings, pin and clips 130mm conrod	100,84 €	120,00 €
W033D2	012230	Piston for BMW R60 old - 72,50mm, complete with rings, pin and clips 130mm conrod	100,84 €	120,00 €



W033D3	012233	Piston for BMW R60 old - 73,00mm, complete with rings, pin and clips 130mm conrod	100,84 €	120,00 €
W033D4	012234	Piston for BMW R60 old - 73,50mm, complete with rings, pin and clips 130mm conrod	100,84 €	120,00 €
W033D5	012235	Piston for BMW R60 alt - 74,00mm, complete with rings, pin and clips 130mm conrod	100,84 €	120,00 €
W033D6	9122324	Piston for BMW R60 old - 72,00mm, complete with rings, pin and clips 130mm conrod, original, Remnants	126,05 €	150,00 €
W033D7	12232	Piston for BMW R60 old - 72,50mm, complete with rings, pin and clips 130mm conrod, original, Remnants	126,05 €	150,00 €
W033D8	9122323	Piston for BMW R60 old - 73,00mm, complete with rings, pin and clips 130mm conrod, original, Remnants	126,05 €	150,00 €
W033F4	912258	Piston for BMW R60/2 - 72,00mm, complete with rings, pin and clips 125mm conrod	100,84 €	120,00 €
W033F5	912259	Piston for BMW R60/2 - 72,50mm, complete with rings, pin and clips 125mm conrod	100,84 €	120,00 €
W033F5	912260	Piston for BMW R60/2 - 73,00mm, complete with rings, pin and clips 125mm conrod	100,84 €	120,00 €
W033F6	912261	Piston for BMW R60/2 - 73,50mm, complete with rings, pin and clips 125mm conrod	100,84 €	120,00 €
W033F7	912262	Piston for BMW R60/2 - 74,00mm, complete with rings, pin and clips 125mm conrod	100,84 €	120,00 €
W033G1	012070	Piston for BMW R67, R67/2 and R67/3 and R35 - 72,00mm complete with rings, pin and clips	100,84 €	120,00 €
W033G10	9999987	Piston for BMW R67, R67/2 and R67/3 - 72,00mm, complete with rings, pin and clips Original, Remnants	117,65 €	140,00 €
W033G2	12078	Piston for BMW R67, R67/2 and R67/3 and R35 - 72,50mm complete with rings, pin and clips	100,84 €	120,00 €
W033G3	12079	Piston for BMW R67, R67/2 and R67/3 and R35 - 73,00mm complete with rings, pin and clips	100,84 €	120,00 €
W033G4	12080	Piston for BMW R67, R67/2 and R67/3 and R35 - 73,50mm complete with rings, pin and clips	100,84 €	120,00 €
W033G6	012081	Piston for BMW R67, R67/2 and R67/3 and R35 - 74,00mm complete with rings, pin and clips	100,84 €	120,00 €
W033G6a	12076	Piston for BMW R67, R67/2 and R67/3 - 75,50mm, complete with rings, pin and clips Remnants	100,84 €	120,00 €
W033G7	9999984	Piston for BMW R67, R67/2 and R67/3 - 72,50mm, complete with rings, pin and clips Original, Remnants	117,65 €	140,00 €
W033G8	9999985	Piston for BMW R67, R67/2 and R67/3 - 73,50mm, complete with rings, pin and clips Original, Remnants	117,65 €	140,00 €
W033H0	12081	Piston for BMW R68 and R69 - 72,00mm, complete with rings, pin and clips	100,84 €	120,00 €
W033H1	12088	Piston for BMW R68 and R69 - 72,50mm, complete with rings, pin and clips	100,84 €	120,00 €
W033H2	12089	Piston for BMW R68 and R69 - 73,00mm, complete with rings, pin and clips	100,84 €	120,00 €
W033H3	12090	Piston for BMW R68 and R69 - 73,50mm, complete with rings, pin and clips	100,84 €	120,00 €
W033H4	12091	Piston for BMW R68 and R69 - 74,00mm, complete with rings, pin and clips	100,84 €	120,00 €
W033H5	9912089	Piston for BMW R68 and R69 - 73,00mm, complete with rings, pin and clips Original	163,78 €	194,90 €
W033H6	9912090	Piston for BMW R68 and R69 - 72,50mm, complete with rings, pin and clips Original	163,78 €	194,90 €
W033J1	912276	Piston for BMW R69S - 72,00mm, complete with rings, pin and clips	100,84 €	120,00 €
W033J2	912277	Piston for BMW R69S - 72,50mm, complete with rings, pin and clips	100,84 €	120,00 €
W033J2	9122772	Piston for BMW R69S - 72,50mm, complete with rings, pin and clips "KS"	163,78 €	194,90 €
W033J3	912278	Piston for BMW R69S - 73,00mm, complete with rings, pin and clips	100,84 €	120,00 €
W033J3	9122783	Piston for BMW R69S - 73,00mm, complete with rings, pin and clips Original	163,78 €	194,90 €
W033J4	912279	Piston for BMW R69S - 73,50mm, complete with rings, pin and clips	100,84 €	120,00 €
W033J4	9122794	Piston for BMW R69S - 73,50mm, complete with rings, pin and clips Original	163,78 €	194,90 €
W033J5	912280	Piston for BMW R69S - 74,00mm, complete with rings, pin and clips	100,84 €	120,00 €
W033J6	9122761	Piston for BMW R69S - 72,00mm, complete with rings, pin and clips Original	163,78 €	194,90 €
W034	1014547	Piston ring - 73,50mm, compression 1st ring, chrome plated, 1,75mm	7,80 €	9,28 €
W034A	14330	Piston ring set (3 pcs) - 68,00-70,00mm please indicate size!!!	24,20 €	28,80 €
W034B	14335	Piston ring set (3 pcs) - 72,00-74,00mm please indicate size!!!	24,20 €	28,80 €
W034C	1250327	Piston ring - 73,00mm, compression chrome plated, 2mm	7,23 €	8,60 €
W034E	1250328	Piston ring - 73,50mm, compression chrome plated, 2mm	7,23 €	8,60 €
W035*	1014546	Piston ring - 72,50mm, compression 1st ring, chrome plated	7,23 €	8,60 €
W035*	2014546	Piston ring - 72,50mm, compression 2nd ring	7,23 €	8,60 €
W035*	1256485	Piston ring - 72,00mm, compression 1st ring, chrome plated	7,23 €	8,60 €
W035*	2256485	Piston ring - 72,00mm, compression 2nd ring	7,23 €	8,60 €
W035A	14217	Piston ring - 68,00-70,50mm, compression define your needed oversize!!!	7,23 €	8,60 €
W035A	1142171	Piston ring - 69,00mm, compression 1st ring	7,23 €	8,60 €
W035A	1014217	Piston ring - 68,00mm, compression 1st ring, chrome plated	7,23 €	8,60 €
W035A	2014217	Piston ring - 68,00mm, compression 2nd ring	7,23 €	8,60 €
W035B	14546	Piston ring - 72,00-74,00mm, compression please indicate size!!!	7,23 €	8,60 €
W035C	2014213	Piston ring - 73,00mm, compression 2nd ring	7,23 €	8,60 €
W035D	2014214	Piston ring - 73,50mm, compression 2nd ring	7,23 €	8,60 €
W037A	14160	Piston ring - 68,00 - 70,50mm, oil scraper ring please indicate size!!!	10,25 €	12,20 €
W037B	14142	Piston ring - 72,00-74,00mm, oil scraper ring please indicate size!!!	10,25 €	12,20 €
W037C	3014546	Piston ring - 72,50mm, oil scraper ring 3rd ring	10,25 €	12,20 €
W037C	3256485	Piston ring - 72,00mm, oil scraper ring 3rd ring	10,25 €	12,20 €
W037D	3014216	Piston ring - 73,00mm, oil scraper ring 3rd ring	10,25 €	12,20 €



W037E	3014217	Piston ring - 73,50mm, oil scraper ring 3rd ring	10,25 €	12,20 €
W038	14203	Piston pin retainer - 20mm bolt	1,05 €	1,25 €
W038A	9026	Piston pin retainer - 18mm wire hoop, cross section: round	1,07 €	1,27 €
W038A	0019026	Piston pin retainer - 18mm lock hoop, cross section: squared	1,07 €	1,27 €
W038B	14202	Piston pin retainer - 20mm	1,05 €	1,25 €
W038C	40822	Piston pin - 18mm for BMW R24-R68	8,19 €	9,75 €
W038D	40823	Piston pin - 20 x 60mm	8,19 €	9,75 €
W038E	4082356	Piston pin - 20 x 56mm	8,19 €	9,75 €
W044A	31028	Camshaft for BMW R51/3-R60/2	148,28 €	176,45 €
W044B	31027	Camshaft for BMW R51/3-R67 and R50-R60/2 used	76,69 €	91,26 €
W044C	31030	Camshaft for BMW R50S and R69S	147,06 €	175,00 €
W044CA	97030	Camshaft for BMW R50S and R69S, RO160.5, for racing bikes	198,32 €	236,00 €
W044CB	97031	Camshaft for BMW R50S and R69S, RO113, for racing bikes	197,48 €	235,00 €
W044D	31025	Camshaft for BMW R51/2, R51, R5, right side with oilpump drive	248,74 €	296,00 €
W044D	0031026	Camshaft for BMW R51/2, R51, R5, left side	223,53 €	266,00 €
W044E	31029	Camshaft for BMW R68 and R69	158,50 €	188,62 €
W044F	131029	Camshaft for BMW R68 and R69, for racing bikes	252,94 €	301,00 €
W045A	47031	Engine breather for BMW R51/3-R69S with pins used	26,05 €	31,00 €
W045B	31171	Engine breather for BMW R50/2-R69S with oval pins	100,76 €	119,90 €
W046A	31152	Engine breather spring for BMW R51/3-R69S	6,30 €	7,50 €
W046B	31707	Spring washer for engine breather for BMW R50S and R69S	1,93 €	2,30 €
W047	31164	Cover disk for engine breather for BMW R51/3-R60/2	5,50 €	6,55 €
W048	108031	Bearing shield camshaft for BMW R51/3-R69S used	12,77 €	15,20 €
W048A	0030150	Bearing shield camshaft for BMW R51/3-R69S NEW	25,21 €	30,00 €
W049	30102	Inner lock washer for camshaft for BMW R24-R27, R51/3-R68 and R50-R69S used	1,93 €	2,30 €
W050	30104	Mounting-screw for camshaft for BMW R24-R69S	0,25 €	0,30 €
W051	6203	Bearing camshaft R24-R69S, crankshaft R51/3-R69S, front end, with 17mm cone wheel bearing R25-R25/2, pinion shaft R24, auxiliary shaft /5 4-gear box, crankshaft most front R51/3-R69	6,22 €	7,40 €
W052	81041	Bearing camshaft for BMW R68 and R69, front end	6,19 €	7,37 €
W053	51461	Woodruff key camshaft R51/3-R69S, gearbox flange twins ->1969	1,51 €	1,80 €
W054	33451	Lock washer for engine breather R51/3-69S	1,68 €	2,00 €
W056A	33127	Tappet R27, R50/2, R60/2 Convex	32,35 €	38,50 €
W056AA	0033100	Tappet R24, R25, R25/2, R25/3, R51/3, R50, R60, Std flat type	32,35 €	38,50 €
W056B	33128	Tappet R27, R50/2, R60/2, 1st oversize convex	32,35 €	38,50 €
W056C	33129	Tappet R27, R50/2, R60/2, 2nd oversize Convex	32,35 €	38,50 €
W056D	33157	Tappet R68, R69, R69S	32,56 €	38,75 €
W056E	33158	Tappet R68, R69, R69S, 1st oversize	32,56 €	38,75 €
W056F	33159	Tappet R68, R69, R69S, 2nd oversize	32,56 €	38,75 €
W057A	33163	Push rod rubber seal R51/3-R69S	3,78 €	4,50 €
W057B	40001	Push rod rubber seal R51/2	3,40 €	4,05 €
W058A	33170	Push rod R51/3, R50, R50/2, R50S	22,65 €	26,95 €
W058B	33174	Push rod R60, R60/2, R67	22,98 €	27,35 €
W058C	33004	Push rod R68, R69, R69S	41,93 €	49,90 €
W058D	33172	Push rod R51/2	28,15 €	33,50 €
W059	0034172	Rocker arm for BMW R68, R69 and R69S, complete intake - left side, exhaust - right side	149,58 €	178,00 €
W059A	34002	Rocker arm for BMW R24-R69S, complete used, please indicate which motorcycle type!!!	38,32 €	45,60 €
W059AA	0034174	Rocker arm for BMW R68, R69 and R69S, complete intake - right side, exhaust - left side	149,58 €	178,00 €
W059B	34172	Rocker arm for BMW R68, R69 and R69S intake - left side, exhaust - right side	75,55 €	89,90 €
W059C	34174	Rocker arm for BMW R68, R69 and R69S intake - right side, exhaust - left side	75,55 €	89,90 €
W060A	34158	Rocker arm bracket for BMW R68, R69 and R69S	19,75 €	23,50 €
W060B	21119	Distance washer rocker arm bracket for BMW R25-R69S	0,42 €	0,50 €
W061A	21136	Cylinder head mounting bolt R25/2-R60/2	7,44 €	8,85 €
W061B	22109	Cylinder head mounting bolt R69S (long)	6,51 €	7,75 €
W062	0034100	Rocker arm shaft for BMW R24, R25 and R51/2	22,27 €	26,50 €
W062A	034150	Rocker arm shaft for BMW R51/3-R67/3 and R50-R60/2	15,55 €	18,50 €
W062B	34180	Rocker arm shaft for BMW R68, R69 and R69S	20,46 €	24,35 €
W063	34112	Thrust washer for rocker arm for BMW R24-R60/2	2,48 €	2,95 €
W064	34162	Thrust washer for rocker arm for BMW R68, R69 and R69S	2,52 €	3,00 €
W065	34145	Bushing, rocker arm for BMW R50-R60/2	9,41 €	11,20 €
W066	34186	Spacer bushing, rocker arm for BMW R68, R69 and R69S	4,54 €	5,40 €
W067	34190	Needle for rocker arm for BMW R68-R69S You need for 1 bike one set = 136 pieces	0,34 €	0,40 €
W068A	34176	Valve adjusting screw R51/3-R60/2	7,14 €	8,50 €
W068B	34178	Valve adjusting screw R68-R100	4,12 €	4,90 €
W069	34128	Valve adjusting nut	0,42 €	0,50 €

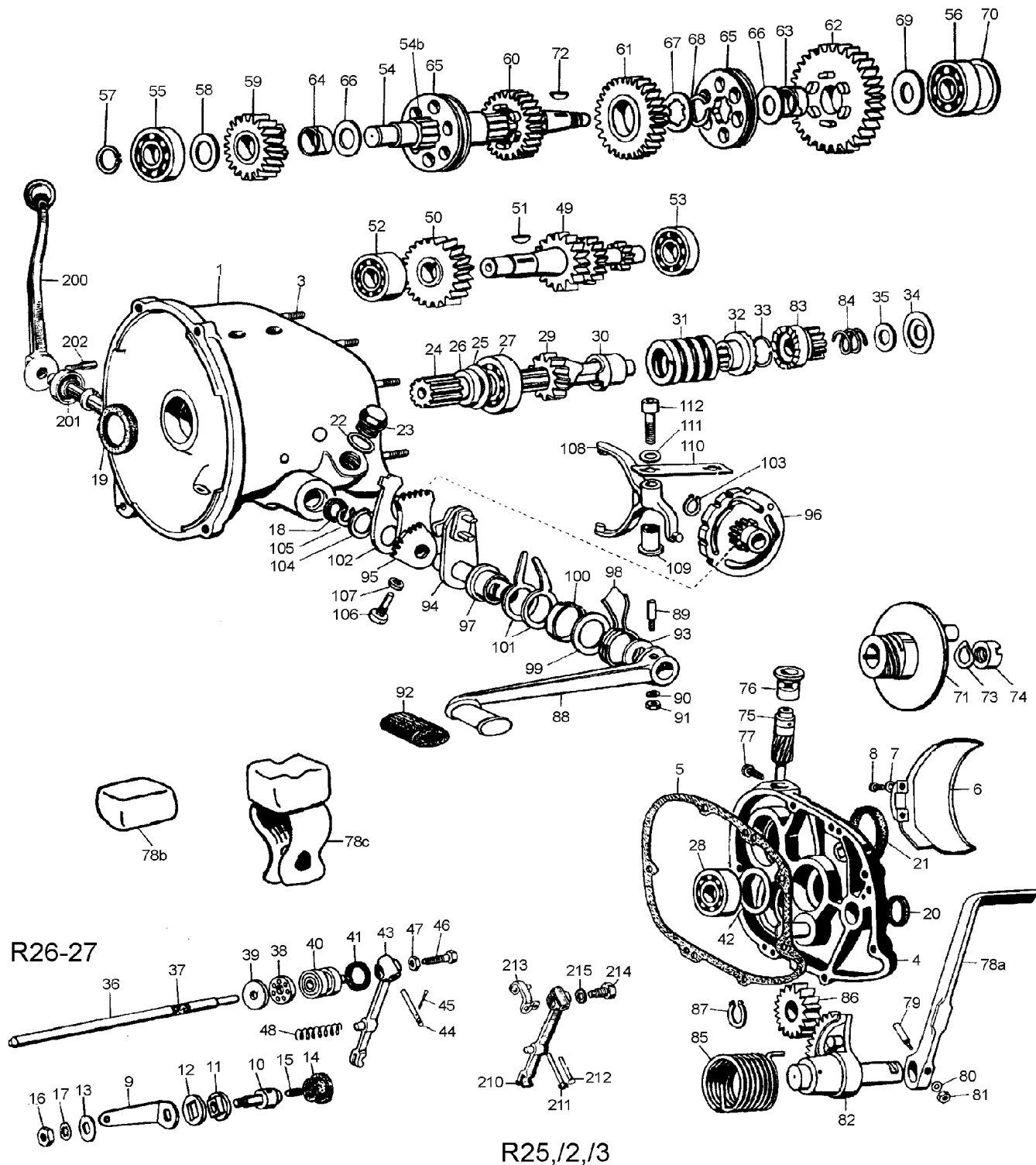


W070A	10027	Valve guide 7mm/13.06mm w/clip	6,55 €	7,79 €
W070Ab	100271	Valve guide 7mm/13.10mm w/clip	6,55 €	7,79 €
W070Ac	100272	Valve guide 7mm/13.15mm w/clip	6,55 €	7,79 €
W070Ad	100273	Valve guide 7mm/13.20mm w/clip	6,55 €	7,79 €
W070Ae	100274	Valve guide 7mm/13.25mm w/clip	6,55 €	7,79 €
W070Af	100275	Valve guide 7mm/13.30mm w/clip	6,55 €	7,79 €
W070Ag	100276	Valve guide 7mm/13.35mm w/clip	6,55 €	7,79 €
W070Ah	1002775	Valve guide 7mm/13.40mm w/clip	9,74 €	11,59 €
W070Ai	1002776	Valve guide 7mm/13.50mm w/clip	9,74 €	11,59 €
W070B	10029	Valve guide 8mm, 14... (oversize) with lock ring	6,81 €	8,10 €
W070B	1002926	Valve guide 8mm, 14,26 (oversize) R50/5-R100GS with lock ring	10,17 €	12,10 €
W070C	10028	Valve guide 8mm 13...mm	10,13 €	12,05 €
W071A	999002	Valve guide lock ring, 13mm	0,21 €	0,25 €
W071B	999003	Valve guide lock ring 14mm	0,29 €	0,35 €
W072	98502	Threat insert for long spark plug, for BMW R50/2, R60/2 and R69S	5,00 €	5,95 €
W074A	11018	Inner valve spring R24-50S	2,44 €	2,90 €
W075A	9018	Outer valve spring R24-R60/2	2,90 €	3,45 €
W075B	13018	Valve spring R50/5-R100 & R68-69S new system	4,87 €	5,80 €
W075C	10018	Valve spring set R24-60/2 (4pcs)	10,25 €	12,20 €
W076A	2068	Upper valve plate, short cone	7,44 €	8,85 €
W076B	21806	Upper valve plate, long cone	7,44 €	8,85 €
W076C	21807	Upper valve plate for 2 slotted keyway	10,29 €	12,25 €
W076D	56554	Upper valve lock plate R50/5-R100 R68-R69S new system	4,12 €	4,90 €
W076E	1026186	Grommet under valve plate for BMW R68, R69 and R69S old system	7,02 €	8,35 €
W077A	26128	Lower valve plate R24-60/2	3,19 €	3,80 €
W077B	50233	Lower valve lock plate R50/5-R100 R68-R69S new system	3,28 €	3,90 €
W080A	26502	Valve keeper, 2 slotted keyway	2,65 €	3,15 €
W080B	26824	Valve keeper, short cone	2,44 €	2,90 €
W080C	26460	Valve keeper, long cone	2,44 €	2,90 €
W080D	26724	Valve keeper R50/5-R100, R68-69S, tripple groove new system	1,47 €	1,75 €
W081A	26170	Intake valve, double groove, 34mm	19,33 €	23,00 €
W081B	26101	Intake valve, short conus, 34mm	19,33 €	23,00 €
W081C	26501	Intake valve, long cone, 34mm	19,33 €	23,00 €
W081D	26151	Intake valve for BMW R68-R69S and R60/5-60/7, 38mm triple groove	29,75 €	35,40 €
W082A	51472	Exhaust valve for BMW R24-R60/2, armored, double groove, 32mm	23,53 €	28,00 €
W082B	26107	Exhaust valve for BMW R24-R60/2, armored, short cone, 32mm	23,53 €	28,00 €
W082C	26109	Exhaust valve for BMW R24-R60/2, armored, long cone, 32mm and Intake valve for BMW R25/2	23,53 €	28,00 €
W082D	26180	Exhaust valve for BMW R50S, armored, short cone	31,93 €	38,00 €
W082E	56679	Exhaust valve for BMW R68-R69S and R60/5/6/7, triple groove, 34mm	43,61 €	51,90 €
W083A	107001	Spur wheel oil pump for BMW R50/2-R69S, "sharp" angle, new style aluminium	109,16 €	129,90 €
W083B	52154	Spur wheel oil pump for BMW R51/3-R60 old version, "small" angle aluminium	102,52 €	122,00 €
W084A	52166	Oil pump for BMW R51/3-R69S, complete (oil pump wheel, counter wheel, locking plate and screw nut)	66,47 €	79,10 €
W084B	52164	Oil pump wheel with left-hand thread for BMW R51/3-R69S	51,64 €	61,45 €
W085	52167	Nut left-hand threat for oil pump gear wheel	1,93 €	2,30 €
W086	52168	Lock plate oilpump front	1,93 €	2,30 €
W087	52171	Oil pump counter wheel for BMW R51/3-R69S	17,94 €	21,35 €
W088D	68027	Flywheel R51/3-R68, used	188,99 €	224,90 €
W089A	35030	Clutch spring for BMW R50, R50/2, R60, R60/2 and R69S	44,45 €	52,90 €
W089B	8018	Clutch spring for BMW R51/2-R68, Set (=6 pieces)	24,54 €	29,20 €
W090A	38001	Pressure plate clutch for BMW R50-R69S, front	75,21 €	89,50 €
W090B	70163	Pressure plate clutch for BMW R51/3-R68, dented	109,16 €	129,90 €
W091A	3054	Clutch friction disc for BMW R50-R69S	48,74 €	58,00 €
W091B	70025	Clutch friction disc for BMW R51/2-R68, 5mm (fits to thrust plate #70163)	48,74 €	58,00 €
W091BA	2054	Clutch friction disc for BMW R51/3-R68, 7mm	48,74 €	58,00 €
W092A	36030	Thrust ring clutch for BMW R50-R69S, rear	52,10 €	62,00 €
W092B	70151	Thrust ring clutch for BMW R51/3-R68, rear	95,80 €	114,00 €
W093	70511	Spacer washer clutch for BMW R50-R69S and R50/5-R75/5 only for pressure ring "without edge"	4,12 €	4,90 €
W094	070188	Spocket ring, clutch R51/3, used	51,13 €	60,84 €
W096A	56001	Clutch screw R51/2, R50-R69S, M8, slit	0,97 €	1,15 €
W096B	31463	Screw clutch R50/5-R100 >09/80, Allen head	1,47 €	1,75 €
W096C	00120	Clutch screw R51/3-R68, M6	0,46 €	0,55 €
W200A	024570	Sealing compound (Elastic gasket grease), 40ml Hylomar M	4,96 €	5,90 €
W200B	024571	Sealing compound (Elastic gasket grease), 85ml	10,84 €	12,90 €
W200C	024573	Sealing compound, Curil K, (gasket grease), 75ml	9,16 €	10,90 €
W220A	46011	Copper paste, 100 gr	8,32 €	9,90 €



W220B	1017	Copper paste, 7ml	1,51 €	1,80 €
W74b	0026160	Inner valve spring R69, R69S, old version	4,62 €	5,50 €
W75AA	0026164	Outer valve spring R69, R69S, old version	4,79 €	5,70 €

Group G: Gearbox all Singles



<u>Picture-No.</u>	<u>Article-No.</u>	<u>Description</u>	<u>Net</u>	<u>Gross</u>
G000	991140	Gearbox input repair kit for BMW R24-R27, R50-R69S and R50/5-R75/5 Speedy sleeve	37,95 €	45,16 €
G000	600018	Gasket set gearbox (No.G04), for BMW R26-R27	24,58 €	29,25 €
G000	600004	Gasket set gearbox (No.G03), for BMW R25/3	30,50 €	36,30 €
G000	600017	Gasket set gearbox (No.G02), for BMW R25-R25/2	30,50 €	36,30 €
G000	06154	Idle indicator switch for BMW for BMW R50-R69S, complete NEW	28,78 €	34,25 €
G000	6000024	Gasket set gearbox (No.G01), for BMW R24	30,50 €	36,30 €
G001	06006	Gearbox for BMW R25 overhauled	920,17 €	1.095,00 €
G001AA	060061	Gearbox for BMW R25/2 overhauled	920,17 €	1.095,00 €
G001AB	060062	Gearbox for BMW R25/3 overhauled	920,17 €	1.095,00 €
G001B	06014	Gearbox for BMW R26 overhauled	920,17 €	1.095,00 €



G001C	06002	Gearbox for BMW R27 overhauled	920,17 €	1.095,00 €
G003	03209	Dowel pin for valve cover R51/3-69S (small) timing case, gearbox cover	1,51 €	1,80 €
G004A	63213	Gear box cover for BMW R25, without idle tracking switch! new/old stock, original BMW, REMNANTS!!!	83,19 €	99,00 €
G004B	12012	Gear box cover for BMW R26 and R27 used	83,19 €	99,00 €
G005	06122	Gearbox cover gasket for BMW R24-R27	2,31 €	2,75 €
G006	12104	Transmission rubber cover R26/27	35,29 €	42,00 €
G009	06152	Idle indicator switch spring for BMW R25/3, R26 and R27	6,64 €	7,90 €
G010	06158	Idle indicator switch contact bolt for BMW R25/2-R27 and R51/3-R69S	10,76 €	12,80 €
G014	06174	Rubber plug for idle connection	4,20 €	5,00 €
G015	05660	Idle indicator switch hexagon socket screw for BMW R25/2-R27 and R51/3-R69S	1,26 €	1,50 €
G016	98323	Nut M 6 zincked	0,13 €	0,15 €
G018	06124	Seal-ring, foot shifting lever	3,36 €	4,00 €
G018A	1006118	Seal-ring, foot shifting lever R24	4,12 €	4,90 €
G019	10032	Seal-ring, gearbox-input shaft R24-69S	4,33 €	5,15 €
G02	07163	Oil drain screw, M14, magnetic zincked	3,19 €	3,80 €
G02	0007163	Oil drain screw, M14, magnetic stainless steel	7,48 €	8,90 €
G020	02196	Seal-ring crankshaft front R51/3-60, Kick start bumper R24-R27, R50-R69S / 5 + 5 speed gearbox	3,70 €	4,40 €
G021A	11032	Seal-ring, gearbox-output R 26-69S	6,09 €	7,25 €
G021B	101030	Seal-ring, gearbox output R24-25/3 (replaces felt)	9,03 €	10,75 €
G021C	06110	Felt ring cap gearbox for BMW R25-R25/3 and R51/2	4,58 €	5,45 €
G021D	06114	Felt ring for gearbox for BMW R24-R25/3 and R51/2	3,19 €	3,80 €
G023	07104	Oil filler screw, M14 x 1,5	2,02 €	2,40 €
G023	0007104	Oil filler screw, M14 x 1,5 stainless steel, polished	5,97 €	7,10 €
G024	20009	Gearbox drive shaft for BMW R24, R25, R26 und R27 used	58,82 €	70,00 €
G026	00010	Race for seal ring drive shaft for BMW R25-R27 and R50-R69S	7,98 €	9,50 €
G027	4064	Bearing crankshaft for BMW R24-R27 front end and /5 4-speed gearbox and for BMW R24-R69S input shaft front and output shaft rear	7,35 €	8,75 €
G028	9064	Bearing gearbox input shaft for BMW R24-R27 and R50-R69S, rear	6,93 €	8,25 €
G029	20120	Starting damper (pinion) R25-R27, used	28,12 €	33,46 €
G030	20144	Damper for inlet shaft for BMW R24-R27 used	12,77 €	15,20 €
G030A	1020144	Damper for inlet shaft for BMW R24-R27 new	28,57 €	34,00 €
G033	20148	Lock ring for input shaft	0,63 €	0,75 €
G034	20157	Bearing cover ring for BMW R24-R27 and R50-R69S	1,81 €	2,15 €
G035	20164	Thrust washer gearbox output shaft for BMW R24-R2, R50-R69S and R50/5-R75/5	4,33 €	5,15 €
G036A	20167	Clutch thrust rod for BMW R24-R25/3	11,76 €	13,99 €
G036B	20168	Clutch thrust rod for BMW R26 and R27	11,76 €	13,99 €
G037	20132	Felt for clutch push rod for BMW R24-R27 and R50-R100 for mounting cut diagonally	2,48 €	2,95 €
G038	30961	Thrust bearing clutch ball bearing for BMW models until year of manufacture 09/1973	21,43 €	25,50 €
G039	30962	Thrust washer clutch for BMW R24-R26 and R51/2-R69S and BMW R50/5 until year of manufacture 09/1973	9,20 €	10,95 €
G040	20106	Clutch thrust piece for BMW R24, R25, R26 and R27	18,49 €	22,00 €
G041	20109	Sealring for clutch thrust piece	2,52 €	3,00 €
G044	20113	Bolt clutch release lever for BMW R26-R69S, 0,5mm oversize stainless steel	5,04 €	6,00 €
G044	20112	Bolt clutch release lever for BMW R26-R69S stainless steel	4,62 €	5,50 €
G045	945180	Split pin for clutch lever R26-R69S	0,17 €	0,20 €
G046	30108	Adjusting screw for clutch release lever for BMW R26-R27, R50-69S, R50/5 until year of manufacture 09/1980, M8	2,94 €	3,50 €
G047	21104	Nut M 8, flat zincked	0,21 €	0,25 €
G048	80122	Clutch lever spring until year of manufacture 08/1973	1,64 €	1,95 €
G049	1040027	Intermediate gear-box shaft R27, R50 old version	197,48 €	235,00 €
G050	30153	Gear-wheel 4th gear outputshaft R26-69S	134,03 €	159,50 €
G050a	1030154	Gear-wheel 3.gear outputshaft R26-R69S	134,03 €	159,50 €
G051	51480	Woodruff key for crankshaft R51/3-R100 front, crank shaft rear R24-R25/2, camshaft R50/5->	1,51 €	1,80 €
G052	15064	Bearing auxiliary shaft for BMW R24-R27 and R50-R69S, front brearing wheel R25-R25/3, front and rear, auxiliary shaft /5 4-gear box	22,65 €	26,95 €
G052a	9981910	Bearing auxiliary shaft for BMW R24, front and rear	22,48 €	26,75 €
G053	6203	Bearing camshaft R24-R69S, crankshaft R51/3-R69S, front end, with 17mm cone wheel bearing R25-R25/2, pinion shaft R24, auxiliary shaft /5 4-gear box, crankshaft most front R51/3-R69	6,22 €	7,40 €
G053a	9981910	Bearing auxiliary shaft for BMW R24, front and rear	22,48 €	26,75 €
G054	81416	Gearbox output shaft for BMW R24-R27 used	71,85 €	85,50 €
G054B	30262	Bushing for BMW R25-R69S, 2nd and 3rd gear	30,17 €	35,90 €
G055	8064	Bearing output shaft for BMW R24-R27 and R50-R69S, front and for front wheel BMW R24	7,48 €	8,90 €
G056	4064	Bearing crankshaft for BMW R24-R27 front end and /5 4-speed gearbox and for BMW R24-R69S input shaft front and output shaft rear	7,35 €	8,75 €

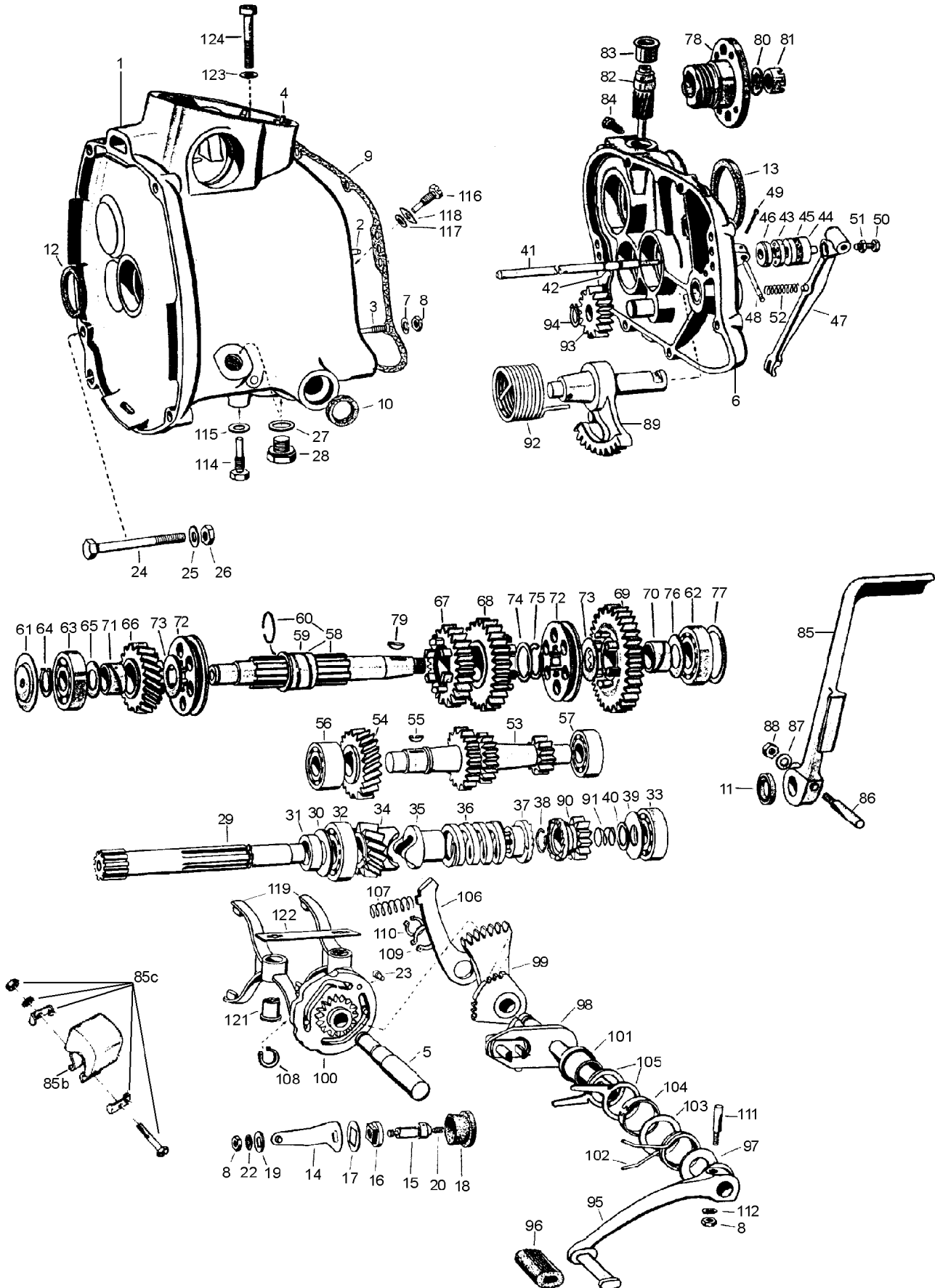


G057	34090	Lock ring output shaft, front	0,25 €	0,30 €
G059	40108	Gear-wheel 4th gear auxiliary-shaft, R26-69S	50,00 €	59,50 €
G059	30151	Spur-gear 4th. speed R26-R69S	136,05 €	161,90 €
G062	1030132	Gear wheel 1st speed R24, R25, R25/2, R25/3	89,92 €	107,00 €
G063	30259	Bushing for BMW R25-R69S, 1st gear-wheel	15,13 €	18,00 €
G064	30266	Bushing for BMW R25-R69S, 4th gear-wheel	12,77 €	15,20 €
G065	11016	Sliding claw R24-R69S	35,29 €	42,00 €
G066	40104	Thrust washer gearbox output shaft for BMW R25-R69S 1st and 4th gear wheel	4,33 €	5,15 €
G070	1231651	Distance washer for outlet shaft for BMW R24-R69S, 0,20mm	2,69 €	3,20 €
G070	1231652	Distance washer for outlet shaft for BMW R24-R69S, 0,30mm	2,69 €	3,20 €
G070	1231653	Distance washer for outlet shaft for BMW R24-R69S, 0,38mm	2,69 €	3,20 €
G070	1231654	Distance washer for outlet shaft for BMW R24-R69S, 0,50mm	2,69 €	3,20 €
G070	1231655	Distance washer for outlet shaft for BMW R24-R69S, 0,60mm	2,69 €	3,20 €
G070	1231656	Distance washer for outlet shaft for BMW R24-R69S, 0,75mm	2,69 €	3,20 €
G070	1231657	Distance washer for outlet shaft for BMW R24-R69S, 0,88mm	2,69 €	3,20 €
G070	2231657	Distance washer gearbox outlet shaft for BMW R24-R60S, 0,95mm and wheel bearing for BMW R51/3-R68	2,69 €	3,20 €
G070	1231658	Distance washer for outlet shaft for BMW R24-R69S, 1,00mm	2,69 €	3,20 €
G071	30172	Gearbox flange for BMW R25, R26 and R27	117,56 €	139,90 €
G072	51461	Woodruff key camshaft R51/3-R69S, gearbox flange twins ->1969	1,51 €	1,80 €
G073	30170	Washer castle nut gearbox flange M14	0,42 €	0,50 €
G074	30120	Castle nut gearbox flange M14 for BMW R24-R27, R51/3-R68 and R50-R69S (old version)	8,36 €	9,95 €
G075A	30058	Speedo drive, R 24-69S	41,09 €	48,90 €
G075B	111031	Speedo drive, R 24-69S, /5, used	33,61 €	40,00 €
G076A	30128	Bushing speedo-cable for BMW R25-R25/3 and R51/3-R68 fat end	8,32 €	9,90 €
G076B	30176	Bushing speedo-cable for BMW R26-R69S and R50/5-R100 thin end	3,19 €	3,80 €
G077A	31065	Speedo cable screw with breather hole	2,35 €	2,80 €
G077B	30174	Speedo cable screw with breather hole, stainless	5,80 €	6,90 €
G078A	56120	Kick starter for BMW R25-R27 and R50-R69S, straight model Aluminum	94,83 €	112,85 €
G078B	28135	Center stand and swing arm bumper, kickstart lever R27	2,35 €	2,80 €
G078D	25116	Kick starter bumper for BMW R24-R26	7,35 €	8,75 €
G078e	34156	Kick starter bumper mounting set for BMW R24-R69S	4,16 €	4,95 €
G079	50016	Mounting bolt for kick starter for BMW R24-R27, R50-R69S and R50/5-R100 zinced	4,16 €	4,95 €
G079A	56124	Mounting bolt for kick starter for BMW R24-R27, R50-R69S and R50/5-R100 stainless steel	5,88 €	7,00 €
G081	98352	Nut M 8 zinced	0,17 €	0,20 €
G081	0098352	Nut M 8, wrench size 14 zinced	1,01 €	1,20 €
G082	1056102	Kick starter section gear for BMW R25-R27 used	85,00 €	101,15 €
G083	56104	Kick starter gear wheel, drive shaft for BMW R25-R27 and R50-R69S used	28,12 €	33,46 €
G083a	1056104	Kick starter gear wheel, drive shaft for BMW R25-R27 and R50-R69S new	57,73 €	68,70 €
G084	56116	Spring for input shaft for BMW R25-R27, R50-R69S and R50/5-R75/5	4,20 €	5,00 €
G085	56112	Kick starter spring for BMW R24-R27, R50-R69S and R50/5-R75/5	5,71 €	6,79 €
G086	56108	Kick starter intermediate gear for BMW R24-R27, R50-R69S and R50/5-R75/5	75,55 €	89,90 €
G087	34080	Lock ring 15x1, kick starter gear R25-69S	0,25 €	0,30 €
G088	66107	Foot shift lever for BMW R25, R26 and R27 used	16,72 €	19,90 €
G089	66103	Wedge for shift pedal for BMW R24-R69S stainless steel	6,51 €	7,75 €
G089	66102	Wedge for shift pedal for BMW R24-R69S zinced	3,82 €	4,55 €
G091	98326	Nut M 6, self-locking zinced	0,17 €	0,20 €
G092	45016	Foot gear lever rubber R24-R69S, / 5-4-speed trans / 5 - 4-speed transmission	1,51 €	1,80 €
G093	30812	Gear lever shim 0.75mm R25/2-R69S and R50/5-R75/5	1,26 €	1,50 €
G093	30813	Shift lever shim 0,5mm R25/2-R69S and R50/5-R75/5	1,26 €	1,50 €
G093	30811	Shift lever shim 1,0mm R25/2-R69S and R50/5-R75/5	1,26 €	1,50 €
G098	66150	Shifter return spring R24-R27, R50-R69S	5,80 €	6,90 €
G100	66146	Lock washer for shifter for BMW R24-R27 and R50-R69S	7,14 €	8,50 €
G103	34060	Lock ring shifter-pate	0,21 €	0,25 €
G104	34120	Lock ring shifting-shaft, 18x1,2 (big)	0,34 €	0,40 €
G105	34071	Lock ring shifting-shaft 14x1 (small)	0,21 €	0,25 €
G108A	66206	Shifter fork R24-69S	79,83 €	95,00 €
G109	1230086	Excenter bushing shifter fork for BMW R24-R90S	24,33 €	28,95 €
G112	66182	Screw for shifter fork R25, R25/2, R25/3	8,62 €	10,26 €
G112A	19736	Screw for shifter fork R26/27 w/Allen head	2,02 €	2,40 €
G200	66118	Hand shift lever for BMW R25 and R25/2 used	14,20 €	16,90 €
G201	06150	Seal-ring, hand-shifting lever R24, R25, R25/2	3,36 €	4,00 €
G202A	66122	Wedge for hand lever for BMW R24-R25/2 and R51/2-R68 zinced	4,20 €	5,00 €
G202B	190017	Wedge for hand lever for BMW R24-R25/2 and R51/2-R68 stainless steel	5,88 €	7,00 €
G210	80104	Clutch release lever for BMW R25-R27 used	16,72 €	19,90 €
G211	80134	Bolt clutch-release lever carrier for BMW R25-R25/3	4,75 €	5,65 €



G212	80108	Bolt clutch release lever for BMW R25-R25/3	4,75 €	5,65 €
G212A	45055	Split pin for clutch lever R25-R25/3	0,08 €	0,10 €
G213	20124	Bracket for clutch release lever for BMW R25, R25/2 and R25/3	12,02 €	14,30 €
G214	80113	Adjusting screw for clutch release lever for BMW R25-R25/3, M8 stainless steel	2,94 €	3,50 €
G214A	98327	Nut M 8, flat stainless steel	0,28 €	0,33 €
G215	21104	Nut M 8, flat zincked	0,21 €	0,25 €

Group H: Gearbox all Twins 1955-1969





<u>Picture-No.</u>	<u>Article-No.</u>	<u>Description</u>	<u>Net</u>	<u>Gross</u>
H000	991140	Gearbox input repair kit for BMW R24-R27, R50-R69S and R50/5-R75/5 Speedy sleeve	37,95 €	45,16 €
H000	600011	Gasket set gearbox (No.G06), for BMW R50-R69S	24,58 €	29,25 €
H000	06154	Idle indicator switch for BMW for BMW R50-R69S, complete NEW	28,78 €	34,25 €
H001	06029	Gearbox for BMW R50-R69S overhauled	971,43 €	1.156,00 €
H001B	006029	Gearbox housing for BMW R50-R69S used	215,52 €	256,47 €
H003	03209	Dowel pin for valve cover R51/3-69S (small) timing case, gearbox cover	1,51 €	1,80 €
H005	06142	Bolt for labyrinth (Gearbox) for BMW R50-R69S	2,81 €	3,34 €
H006	12031	Gearbox cover for BMW R50-R69S new/old stock, original BMW, REMNANTS!!!	218,49 €	260,00 €
H008	98323	Nut M 6 zincked	0,13 €	0,15 €
H009	06280	Gearbox cover gasket for 4-speed-transmission, 2-cylinders, years of manufacture 1955-1973	2,31 €	2,75 €
H010	06124	Seal-ring, foot shifting lever	3,36 €	4,00 €
H011	02196	Seal-ring crankshaft front R51/3-60, Kick start bumper R24-R27, R50-R69S / 5 + 5 speed gearbox	3,70 €	4,40 €
H012	10032	Seal-ring, gearbox-input shaft R24-69S	4,33 €	5,15 €
H013	11032	Seal-ring, gearbox-output R 26-69S	6,09 €	7,25 €
H014	06152	Idle indicator switch spring for BMW R25/3, R26 and R27	6,64 €	7,90 €
H015	06158	Idle indicator switch contact bolt for BMW R25/2-R27 and R51/3-R69S	10,76 €	12,80 €
H018	06174	Rubber plug for idle connection	4,20 €	5,00 €
H020	05660	Idle indicator switch hexagon socket screw for BMW R25/2-R27 and R51/3-R69S	1,26 €	1,50 €
H024	12551	Screw engine/gearbox R 50-69S	0,55 €	0,65 €
H026	98352	Nut M 8 zinked	0,17 €	0,20 €
H026	98352	Nut M 8 zinked	0,17 €	0,20 €
H026	0098352	Nut M 8, wrench size 14 zincked	1,01 €	1,20 €
H026	0098352	Nut M 8, wrench size 14 zincked	1,01 €	1,20 €
H027	2027	Gasket ring oil drain screw, M14x20x2	0,67 €	0,80 €
H028A	07104	Oil filler screw, M14 x 1,5	2,02 €	2,40 €
H028A	0007104	Oil filler screw, M14 x 1,5 stainless steel, polished	5,97 €	7,10 €
H028B	07163	Oil drain screw, M14, magnetic zincked	3,19 €	3,80 €
H028B	0007163	Oil drain screw, M14, magnetic stainless steel	7,48 €	8,90 €
H029	20005	Gearbox drive shaft for BMW R50-R69S naked, used	105,04 €	125,00 €
H030	20136	Washer for Earles swing (inner) gearbox inlet R50-R69S	2,44 €	2,90 €
H031	00010	Race for seal ring drive shaft for BMW R25-R27 and R50-R69S	7,98 €	9,50 €
H032	4064	Bearing crankshaft for BMW R24-R27 front end and /5 4-speed gearbox and for BMW R24-R69S input shaft front and output shaft rear	7,35 €	8,75 €
H033	9064	Bearing gearbox input shaft for BMW R24-R27 and R50-R69S, rear	6,93 €	8,25 €
H034	20245	Gear-wheel inputshaft R50-69S	71,51 €	85,10 €
H035	1083154	Drive coupling intake shaft for BMW R50-R69S	32,77 €	39,00 €
H038	20148	Lock ring for input shaft	0,63 €	0,75 €
H039	20157	Bearing cover ring for BMW R24-R27 and R50-R69S	1,81 €	2,15 €
H040	20164	Thrust washer gearbox output shaft for BMW R24-R2, R50-R69S and R50/5-R75/5	4,33 €	5,15 €
H041	180176	Clutch thrust rod for BMW R50-R69S	11,93 €	14,20 €
H042	20132	Felt for clutch push rod for BMW R24-R27 and R50-R100 for mounting cut diagonally	2,48 €	2,95 €
H043	30961	Thrust bearing clutch ball bearing for BMW models until year of manufacture 09/1973	21,43 €	25,50 €
H044	080150	Clutch thrust piece for BMW R50-R69S	18,49 €	22,00 €
H045	20109	Sealring for clutch thrust piece	2,52 €	3,00 €
H046	30962	Thrust washer clutch for BMW R24-R26 and R51/2-R69S and BMW R50/5 until year of manufacture 09/1973	9,20 €	10,95 €
H047	1080105	Clutch release lever for BMW R50-R69S	43,28 €	51,50 €
H048	20113	Bolt clutch release lever for BMW R26-R69S, 0,5mm oversize stainless steel	5,04 €	6,00 €
H048	20112	Bolt clutch release lever for BMW R26-R69S stainless steel	4,62 €	5,50 €
H049	945180	Split pin for clutch lever R26-R69S	0,17 €	0,20 €
H050A	20116	Adjusting screw for clutch release lever for BMW R51/2-R68 and R50-R69S (older models), M6	3,28 €	3,90 €
H050B	30108	Adjusting screw for clutch release lever for BMW R26-R27, R50-69S, R50/5 until year of manufacture 09/1980, M8	2,94 €	3,50 €
H051A	21104	Nut M 8, flat zincked	0,21 €	0,25 €
H052	80122	Clutch lever spring until year of manufacture 08/1973	1,64 €	1,95 €
H053	40028	Intermediate gear-box shaft R50-69S, last version	197,48 €	235,00 €
H053A	1040027	Intermediate gear-box shaft R27, R50 old version	197,48 €	235,00 €
H054	40108	Gear-wheel 4th gear auxiliary-shaft, R26-69S	50,00 €	59,50 €
H055	51480	Woodruff key for crankshaft R51/3-R100 front, crank shaft rear R24-R25/2, camshaft R50/5->	1,51 €	1,80 €
H056	15064	Bearing auxiliary shaft for BMW R24-R27 and R50-R69S, front brearing wheel R25-R25/3, front and rear, auxiliary shaft /5 4-gear box	22,65 €	26,95 €



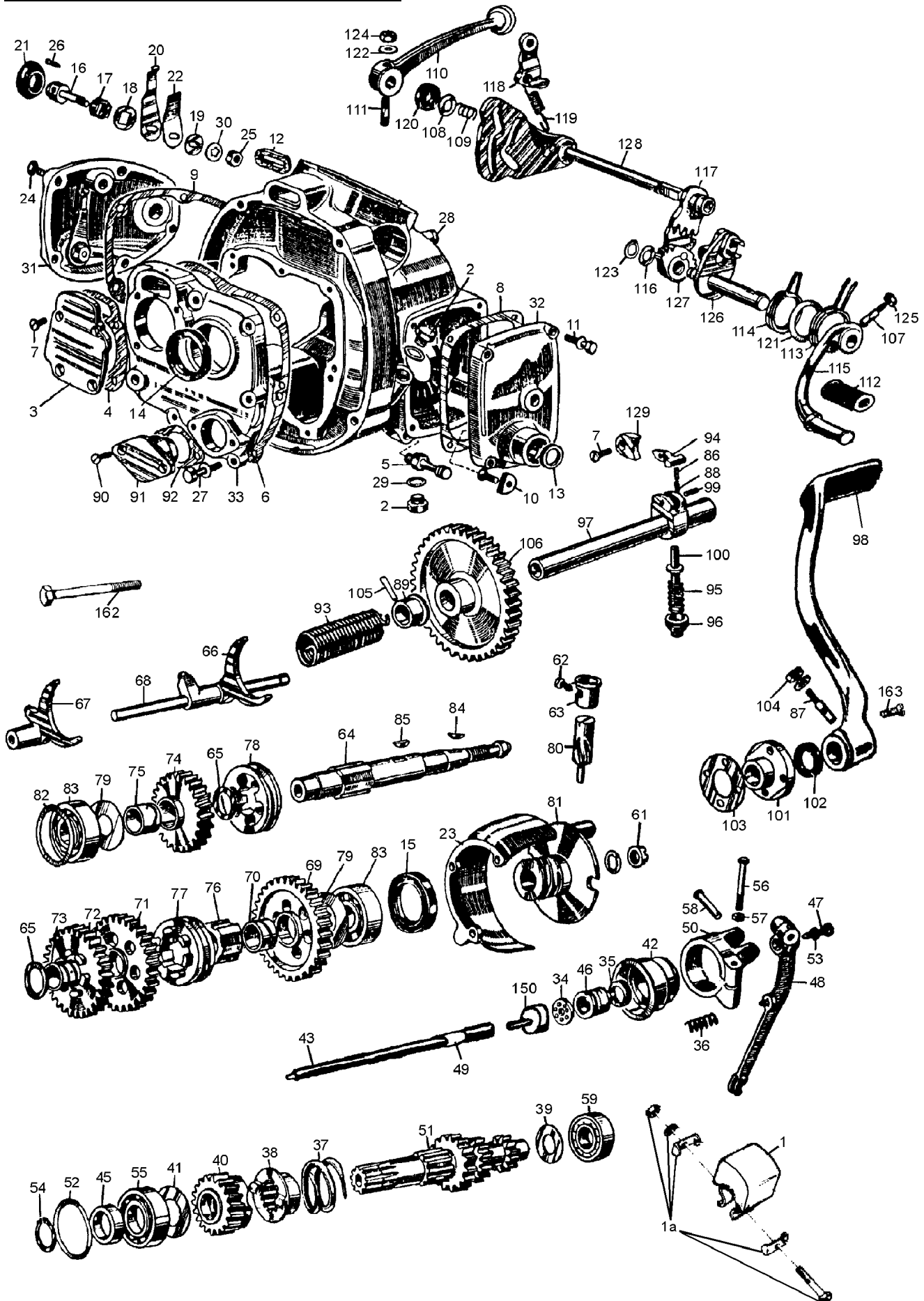
H057	6203	Bearing camshaft R24-R69S, crankshaft R51/3-R69S, front end, with 17mm cone wheel bearing R25-R25/2, pinion shaft R24, auxiliary shaft /5 4-gear box, crankshaft most front R51/3-R69	6,22 €	7,40 €
H058Aa	30027	Gearbox outlet shaft for BMW R50-R69S with key slot	201,60 €	239,90 €
H059	30262	Bushing for BMW R25-R69S, 2nd and 3rd gear	30,17 €	35,90 €
H060	30100	Lock ring output shaft, center, R26-R69S	1,05 €	1,25 €
H061	1006242	Oil drip pan output shaft for BMW R50-R69S	11,68 €	13,90 €
H062	4064	Bearing crankshaft for BMW R24-R27 front end and /5 4-speed gearbox and for BMW R24-R69S input shaft front and output shaft rear	7,35 €	8,75 €
H063	8064	Bearing output shaft for BMW R24-R27 and R50-R69S, front and for front wheel BMW R24	7,48 €	8,90 €
H064	34090	Lock ring output shaft, front	0,25 €	0,30 €
H065	1020102	Thrust washer to the 4th. gear wheel for BMW R25-R69S	2,69 €	3,20 €
H066	30153	Gear-wheel 4th gear outputshaft R26-69S	134,03 €	159,50 €
H066	30151	Spur-gear 4th. speed R26-R69S	136,05 €	161,90 €
H066a	1030154	Gear-wheel 3.gear outputshaft R26-R69S	134,03 €	159,50 €
H068	1030147	Gear wheel 2nd speed R50-R69S	134,03 €	159,50 €
H068a	1030146	Gear wheel 2. speed R50/60 (pre /2)	134,03 €	159,50 €
H069	1030246	Gear wheel 1st speed R50-R69S	134,03 €	159,50 €
H069a	30242	Gear wheel 1st. speed R50/60 (pre /2)	134,03 €	159,50 €
H070	30259	Bushing for BMW R25-R69S, 1st gear-wheel	15,13 €	18,00 €
H071	30266	Bushing for BMW R25-R69S, 4th gear-wheel	12,77 €	15,20 €
H072	11016	Sliding claw R24-R69S	35,29 €	42,00 €
H073	40104	Thrust washer gearbox output shaft for BMW R25-R69S 1st and 4th gear wheel	4,33 €	5,15 €
H076	1030112	Thrust washer to the spur wheel 1th. gear for BMW R25-R69S	5,50 €	6,55 €
H077	1231651	Distance washer for outlet shaft for BMW R24-R69S, 0,20mm	2,69 €	3,20 €
H077	1231652	Distance washer for outlet shaft for BMW R24-R69S, 0,30mm	2,69 €	3,20 €
H077	1231653	Distance washer for outlet shaft for BMW R24-R69S, 0,38mm	2,69 €	3,20 €
H077	1231654	Distance washer for outlet shaft for BMW R24-R69S, 0,50mm	2,69 €	3,20 €
H077	1231655	Distance washer for outlet shaft for BMW R24-R69S, 0,60mm	2,69 €	3,20 €
H077	1231656	Distance washer for outlet shaft for BMW R24-R69S, 0,75mm	2,69 €	3,20 €
H077	1231657	Distance washer for outlet shaft for BMW R24-R69S, 0,88mm	2,69 €	3,20 €
H077	2231657	Distance washer gearbox outlet shaft for BMW R24-R60S, 0,95mm and wheel bearing for BMW R51/3-R68	2,69 €	3,20 €
H077	1231658	Distance washer for outlet shaft for BMW R24-R69S, 1,00mm	2,69 €	3,20 €
H078A	30296	Gearbox flange for BMW R50-R69S with groove, conus 1:5	86,47 €	102,90 €
H078B	030297	Gearbox flange for BMW R50-R69S without groove, conus 1:6	86,47 €	102,90 €
H079	51461	Woodruff key camshaft R51/3-R69S, gearbox flange twins ->1969	1,51 €	1,80 €
H080	30170	Washer castle nut gearbox flange M14	0,42 €	0,50 €
H080A	30169	Washer castle nut gearbox flange M16	0,34 €	0,40 €
H080B	98462	Spring washer B16, DIN137 zincked	0,34 €	0,40 €
H081A	30120	Castle nut gearbox flange M14 for BMW R24-R27, R51/3-R68 and R50-R69S (old version)	8,36 €	9,95 €
H081B	30122	Castle nut gearbox flange M16 for BMW R50-R9S (new version)	9,41 €	11,20 €
H082A	30058	Speedo drive, R 24-69S	41,09 €	48,90 €
H082B	111031	Speedo drive, R 24-69S, /5, used	33,61 €	40,00 €
H083	30176	Bushing speedo-cable for BMW R26-R69S and R50/5-R100 thin end	3,19 €	3,80 €
H084A	31065	Speedo cable screw with breather hole	2,35 €	2,80 €
H084B	30174	Speedo cable screw with breather hole, stainless	5,80 €	6,90 €
H085A	56120	Kick starter for BMW R25-R27 and R50-R69S, straight model Aluminum	94,83 €	112,85 €
H085b	26016	Kick starter bumper for BMW R51/2-R69S	8,19 €	9,75 €
H085C	34156	Kick starter bumper mounting set for BMW R24-R69S	4,16 €	4,95 €
H086	50016	Mounting bolt for kick starter for BMW R24-R27, R50-R69S and R50/5-R100 zincked	4,16 €	4,95 €
H086A	56124	Mounting bolt for kick starter for BMW R24-R27, R50-R69S and R50/5-R100 stainless steel	5,88 €	7,00 €
H088	98352	Nut M 8 zincked	0,17 €	0,20 €
H088	0098352	Nut M 8, wrench size 14 zincked	1,01 €	1,20 €
H089	56274	Kick starter section gear for BMW R50-R69S used	100,84 €	120,00 €
H090	56104	Kick starter gear wheel, drive shaft for BMW R25-R27 and R50-R69S used	28,12 €	33,46 €
H090a	1056104	Kick starter gear wheel, drive shaft for BMW R25-R27 and R50-R69S new	57,73 €	68,70 €
H091	56116	Spring for input shaft for BMW R25-R27, R50-R69S and R50/5-R75/5	4,20 €	5,00 €
H092	56112	Kick starter spring for BMW R24-R27, R50-R69S and R50/5-R75/5	5,71 €	6,79 €
H093	56108	Kick starter intermediate gear for BMW R24-R27, R50-R69S and R50/5-R75/5	75,55 €	89,90 €
H094	34080	Lock ring 15x1, kick starter gear R25-69S	0,25 €	0,30 €
H096	45016	Foot gear lever rubber R24-R69S, / 5-4-speed trans / 5 - 4-speed transmission	1,51 €	1,80 €
H097	30812	Gear lever shim 0.75mm R25/2-R69S and R50/5-R75/5	1,26 €	1,50 €
H097	30813	Shift lever shim 0,5mm R25/2-R69S and R50/5-R75/5	1,26 €	1,50 €
H097	30811	Shift lever shim 1,0mm R25/2-R69S and R50/5-R75/5	1,26 €	1,50 €
H102	66150	Shifter return spring R24-R27, R50-R69S	5,80 €	6,90 €



H104	66146	Lock washer for shifter for BMW R24-R27 and R50-R69S	7,14 €	8,50 €
H107	66130	Spring latch for BMW R24-R27 and R50-R69S, old version	2,48 €	2,95 €
H108	34060	Lock ring shifter-pate	0,21 €	0,25 €
H109	34120	Lock ring shifting-shaft, 18x1,2 (big)	0,34 €	0,40 €
H110	34071	Lock ring shifting-shaft 14x1 (small)	0,21 €	0,25 €
H111	66102	Wedge for shift pedal for BMW R24-R69S zined	3,82 €	4,55 €
H111A	66103	Wedge for shift pedal for BMW R24-R69S stainless steel	6,51 €	7,75 €
H114	1230935	Stop Screw upper and lower R50 - /5	0,50 €	0,60 €
H115	98414	Washer B 8,4	0,06 €	0,07 €
H119A	66206	Shifter fork R24-69S	79,83 €	95,00 €
H121	1230086	Excenter bushing shifter fork for BMW R24-R90S	24,33 €	28,95 €
H123	98410	Washer B 6,4	0,05 €	0,06 €
H124	19741	Screw for shifter claw R50-69S w/Allen head	1,85 €	2,20 €
H125	66131	Spring latch for BMW R50-R69S and R50/5-R75	10,84 €	12,90 €
H126	060107	Thrust washer shifter shaft for BMW R50/2-R69S	1,30 €	1,55 €



Group I: Gearbox all Twins 1948-1956



<u>Picture-No.</u>	<u>Article-No.</u>	<u>Description</u>	<u>Net</u>	<u>Gross</u>
1000	600001	Gasket set gearbox (No.G05-1), for BMW R51/2-R68 complete, incl. paper gaskets	41,93 €	49,90 €
1000	12100	Gasket set gearbox (No.G05-2), for BMW R51/2-R68 only paper gaskets	15,46 €	18,40 €
1000	06027	Gearbox for BMW R51/2-R67/3 overhauled, IN EXCHANGE	1.050,42 €	1.250,00 €



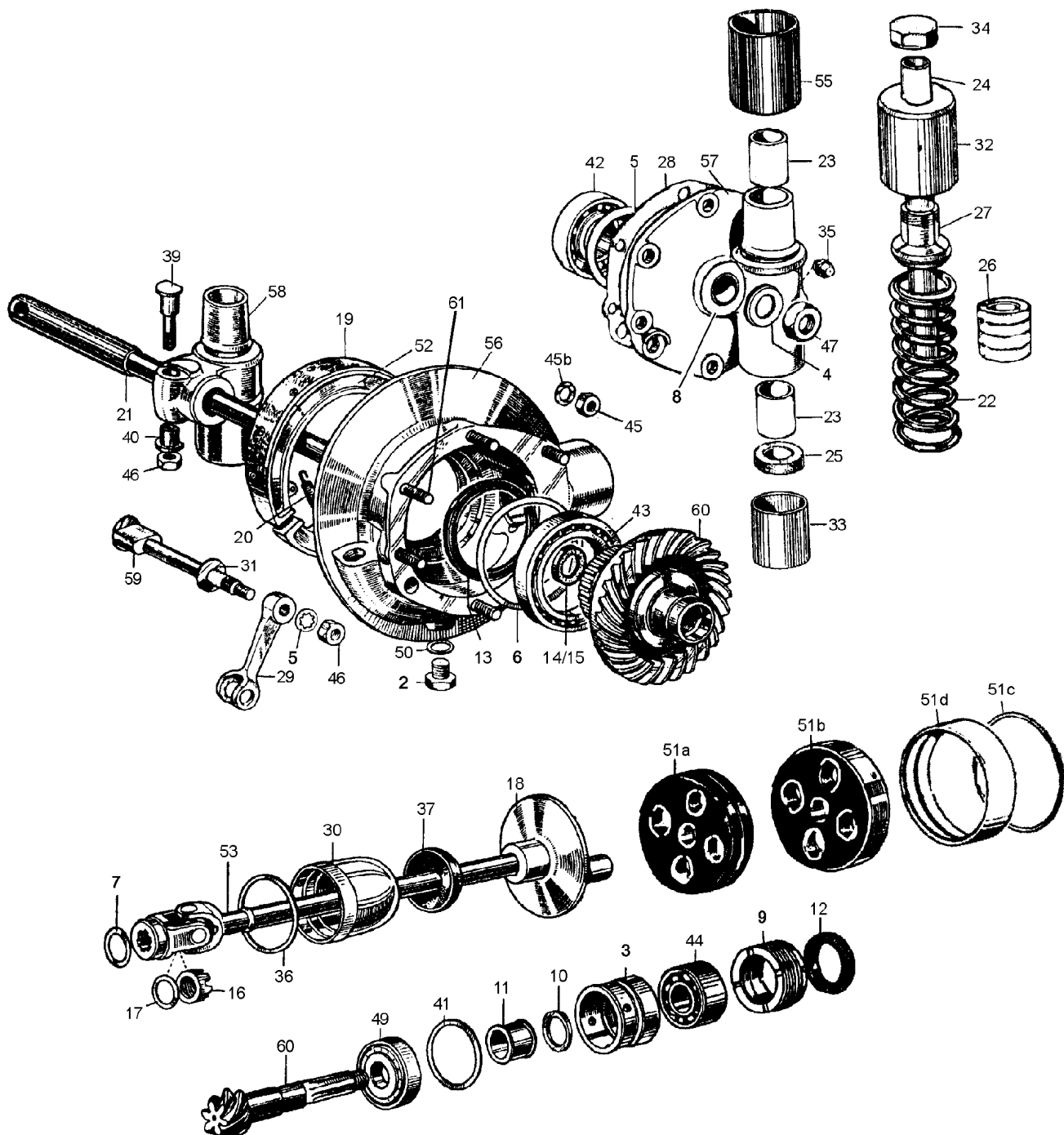
I001	26016	Kick starter bumper for BMW R51/2-R69S	8,19 €	9,75 €
I001A	34156	Kick starter bumper mounting set for BMW R24-R69S	4,16 €	4,95 €
I002A	07104	Oil filler screw, M14 x 1,5	2,02 €	2,40 €
I002A	0007104	Oil filler screw, M14 x 1,5 stainless steel, polished	5,97 €	7,10 €
I002b	07163	Oil drain screw, M14, magnetic zincked	3,19 €	3,80 €
I002b	0007163	Oil drain screw, M14, magnetic stainless steel	7,48 €	8,90 €
I004	06208	Gasket gearbox flange cover for BMW R51/3-R68	2,48 €	2,95 €
I005	06212	Center stand bolt R51/2-R68 (at gear-box)	11,25 €	13,39 €
I006	06216	Gasket gearbox cover for BMW R51/3-R68	3,91 €	4,65 €
I007	06221	Screw for gearbox flange cover R51/2-R68, 60°head stainless steel	4,37 €	5,20 €
I008	06232	Gasket foot shift cover for BMW R51/3-R68	2,48 €	2,95 €
I009	06236	Gasket hand shift cover for BMW R51/3-R68	3,78 €	4,50 €
I011	12112	Screw for foot shift cover R51/3-R68 stainless steel, 6mm, 9mm head	4,45 €	5,30 €
I013	06253	Seal-ring, foot shifting lever R51/3-R68 R60/6-R100 09/74->	3,36 €	4,00 €
I014	06261	Seal-ring, gearbox-input shaft R51/3-68	4,37 €	5,20 €
I015	30272	Seal-ring, gearbox-output R 51/3-68	7,02 €	8,35 €
I016	06158	Idle indicator switch contact bolt for BMW R25/2-R27 and R51/3-R69S	10,76 €	12,80 €
I021	06174	Rubber plug for idle connection	4,20 €	5,00 €
I023	30276	Transmission rubber cover R51/3-68, new	41,93 €	49,90 €
I024	10169	Screw kit f. hand shifter cover 51/3-68 stainless stell polished	23,61 €	28,10 €
I026	05660	Idle indicator switch hexagon socket screw for BMW R25/2-R27 and R51/3-R69S	1,26 €	1,50 €
I027A	98161	Screw M 6x25 hexagon	0,15 €	0,18 €
I027B	98169	Screw M6x25 hexagon stainless	0,42 €	0,50 €
I028	98150	Screw M6x10 hexagon stainless	0,20 €	0,24 €
I028	98156	Screw M6x10 hexagon	0,13 €	0,15 €
I03	98454	Spring washer B 6, DIN137 zincked	0,05 €	0,06 €
I031	12029	Cover for hand shifter for BMW R51/3-R68 used	58,82 €	70,00 €
I032	12025	Cover for foot control for BMW R51/3-R68 used	17,90 €	21,30 €
I034	30961	Thrust bearing clutch ball bearing for BMW models until year of manufacture 09/1973	21,43 €	25,50 €
I035	20109	Sealring for clutch thrust piece	2,52 €	3,00 €
I036	80122	Clutch lever spring until year of manufacture 08/1973	1,64 €	1,95 €
I037	20252	Pressure spring drive shaft for BMW R51/3-R68 used	8,44 €	10,04 €
I038	20204	Drive coupling intake shaft for BMW R51/3-R68	16,72 €	19,90 €
I040	20217	Spur-gear 4th. speed, input shaft R51/3, R67, R68 used	38,35 €	45,64 €
I042	80147	Clutch lever bushing for BMW R51/3-R68	37,77 €	44,95 €
I043B	80173	Clutch thrust rod for BMW R51/3-R68 with square-end	13,36 €	15,90 €
I045	00011	Race for seal ring gearbox input for BMW R51/3-R68	6,72 €	8,00 €
I046	20107	Clutch thrust piece for BMW R51/3-R68	18,49 €	22,00 €
I047	20116	Adjusting screw for clutch release lever for BMW R51/2-R68 and R50-R69S (older models), M6	3,28 €	3,90 €
I049	80156	Felt for clutch push rod for BMW R51/2-R68 for mounting cut diagonally	2,98 €	3,55 €
I050A	080167	Clutch release lever for BMW R51/3-R68, complete	81,81 €	97,35 €
I053A	98324	Nut M 6, flat zincked	0,10 €	0,12 €
I053B	98322	Nut M 6, flat stainless steel	0,17 €	0,20 €
I055	11064	Bearing gearbox input shaft for BMW R51/2-R68, front	7,82 €	9,31 €
I056	98179	Screw M 6x45 hexagon	0,25 €	0,30 €
I057	98323	Nut M 6 zincked	0,13 €	0,15 €
I058A	40444	Bolt clutch release lever for BMW R51/3-R68 steel zincked	2,94 €	3,50 €
I058B	40445	Bolt clutch release lever for BMW R51/3-R68 stainless steel	4,62 €	5,50 €
I059	85702	Bearing gearbox (roller bearing) input shaft for BMW R51/3-R68, rear	30,00 €	35,70 €
I061	30120	Castle nut gearbox flange M14 for BMW R24-R27, R51/3-R68 and R50-R69S (old version)	8,36 €	9,95 €
I062A	31065	Speedo cable screw with breather hole	2,35 €	2,80 €
I062B	30174	Speedo cable screw with breather hole, stainless	5,80 €	6,90 €
I063	30128	Bushing speedo-cable for BMW R25-R25/3 and R51/3-R68 fat end	8,32 €	9,90 €
I065	1030220	Thrust washer to shifting-fork for BMW R51/2-R68	4,96 €	5,90 €
I066	70015	Shifter fork 1./2.speed, R51/2, R51/3, R67, R68	92,02 €	109,50 €
I067	70016	Shifter fork 3./4.speed R51/2, R51/3, R67, R68	92,02 €	109,50 €
I068	66208	Shifter claw axle R51/3, R67, R68	24,54 €	29,20 €
I070	30257	Bushing for BMW R51/2-R68, 1st gear	11,26 €	13,40 €
I073	30261	Bushing for BMW R51/2-R68, 2nd and 3rd gear	14,24 €	16,95 €
I075	30264	Bushing for BMW R51/2-R68, 4th gear	12,44 €	14,80 €
I077	119016	Sliding claw R51/3-R68, 1/2.gear (w/pins)	75,38 €	89,70 €
I078	120016	Sliding claw R51/3-R68, 3./4.gear	35,29 €	42,00 €
I080	112031	Speedo drive R51/2-R68 Original	41,93 €	49,90 €
I081	30289	Gearbox flange for BMW R51/2-R68 new	115,00 €	136,85 €
I082A	33474	Distance washer gearbox outlet shaft for BMW R51/3-R68 and all 5-gear, 0,10mm	1,51 €	1,80 €



I082A	33475	Distance washer gearbox outlet shaft for BMW R51/3-R68 and all 5-gear, 0,20mm	1,51 €	1,80 €
I082B	31625	Distance washer gearbox outlet shaft for BMW R51/3-R68 and all 5-gear, 0,30mm	1,60 €	1,90 €
I082C	31626	Distance washer gearbox outlet shaft for BMW R51/3-R68 and all 5-gear, 0,38mm	7,73 €	9,20 €
I082D	31627	Distance washer gearbox outlet shaft for BMW R51/3-R68 and all 5-gear, 0,50mm	1,60 €	1,90 €
I083	1064	Bearing gearbox outlet shaft front + rear R51/2-R68	7,73 €	9,20 €
I084	51461	Woodruff key camshaft R51/3-R69S, gearbox flange twins ->1969	1,51 €	1,80 €
I085	51480	Woodruff key for crankshaft R51/3-R100 front, crank shaft rear R24-R25/2, camshaft R50/5->	1,51 €	1,80 €
I086	1056208	Pressure spring for kick starter safety catch for BMW R51/2-R68	1,26 €	1,50 €
I087	56205	Mounting bolt for kick starter for BMW R51/2-R68 zincd	3,82 €	4,55 €
I087B	56204	Mounting bolt for kick starter for BMW R51/2-R68 stainless steel	6,39 €	7,60 €
I090	06221	Screw for gearbox flange cover R51/2-R68, 60°head stainless steel	4,37 €	5,20 €
I092	12154	Gasket gearbox kicker cover for BMW R51/3-R68	2,48 €	2,95 €
I093	56225	Kick starter spring for BMW R51/2-R68 used	8,61 €	10,25 €
I094	60016	Kick starter lock piece for BMW R51/2-R68	32,77 €	39,00 €
I097	56025	Kick starter shaft for BMW R51/2-R68 used	17,90 €	21,30 €
I098	56257	Kick starter for BMW R51/2-R68 stainless steel	102,27 €	121,70 €
I101	56221	Flange kick starter shaft for BMW R51/2-R68 used	10,34 €	12,30 €
I102	02197	Seal-ring crank R50/2-R69S, kick starter R51/3-R68 cam shaft R60/6-R100	3,70 €	4,40 €
I103	02188	Gasket kick start shaft for BMW R51/3-R68	2,48 €	2,95 €
I107	66103	Wedge for shift pedal for BMW R24-R69S stainless steel	6,51 €	7,75 €
I107	66102	Wedge for shift pedal for BMW R24-R69S zincd	3,82 €	4,55 €
I109	1066216	Pressure spring hand shifter cover for BMW R51/2-R68	2,52 €	3,00 €
I110	66229	Hand shift lever for BMW R51/3-R68, long, 20cm	19,83 €	23,60 €
I110	6666229	Hand shift lever for BMW R51/3-R68, short, 13cm	18,40 €	21,90 €
I111A	66122	Wedge for hand lever for BMW R24-R25/2 and R51/2-R68 zincd	4,20 €	5,00 €
I111B	190017	Wedge for hand lever for BMW R24-R25/2 and R51/2-R68 stainless steel	5,88 €	7,00 €
I112	45016	Foot gear lever rubber R24-R69S, / 5-4-speed trans / 5 - 4-speed transmission	1,51 €	1,80 €
I113	66234	Foot shifter return spring R51/2-R68	11,51 €	13,70 €
I114	66238	Foot shifter return spring R51/2-R68	10,84 €	12,90 €
I115	66242	Foot shift lever for BMW R51/2, R51/3, R67 und R68 used	61,30 €	72,95 €
I119	66258	Spring for ratched for BMW R51/2-R68, shifting-automat	6,68 €	7,95 €
I120	66225	Seal-ring, hand-shifting lever R 51/3-68	3,36 €	4,00 €
I120a	1066224	Felt ring for handshifter for BMW R51/2	2,10 €	2,50 €
I162	12535	Screw engine/gearbox 51/3-68	0,46 €	0,55 €
I163	98132	Screw M5x16 counter-sunk, stainless	0,34 €	0,40 €



Group K: Rear transmission R25, R25/2, R25/3



<u>Picture-No.</u>	<u>Article-No.</u>	<u>Description</u>	<u>Net</u>	<u>Gross</u>
K000	04006	Rear drive for BMW R25, R25/2, 27:6 overhauled	806,72 €	960,00 €
K000	600024	Gasket set rear drive (No.A01), for BMW R24 complete (7 Parts)	41,93 €	49,90 €
K000	04007	Rear drive für BMW R25/3, 25:6 overhauled	806,72 €	960,00 €
K000	6000015	Gasket set rear drive (No.A02), for BMW R25-R25/3	17,02 €	20,25 €
K000	38149	Cardan shaft protecting ring for BMW R24	7,23 €	8,60 €
K000	3038149	Boot rear drive shaft for BMW R24 and kickstart shaft for BMW R51/2-R68 with circular spring	15,04 €	17,90 €
K000	6000241	Gasket set rear drive for BMW R24 (3-pieces)	10,04 €	11,95 €
K002	07163	Oil drain screw, M14, magnetic zincked	3,19 €	3,80 €
K002	0007163	Oil drain screw, M14, magnetic stainless steel	7,48 €	8,90 €
K003	38101	Bearing bushing rear drive for BMW R25, R25/2 and R25/3	4,09 €	4,87 €
K004A	04378	Flat washer for wheel axle for R24-R69S zincked	0,38 €	0,45 €
K004B	31089	Flat washer for wheel axle for BMW R24-R69S stainless steel polished	4,86 €	5,78 €
K007	38125	Distance washer cardan shaft for BMW R25, R25/2 and R25/3	0,46 €	0,55 €
K009	38129	Rear drive threaded ring R25-25/3, used	12,52 €	14,90 €
K012	38172	Seal-ring, transmission input R 25-25/3	4,54 €	5,40 €
K013	13032	Seal-ring, crown wheel, R25-27	7,48 €	8,90 €
K014	04178	Felt ring for crown-wheel for BMW R25, R25/2 and R25/3	2,94 €	3,50 €

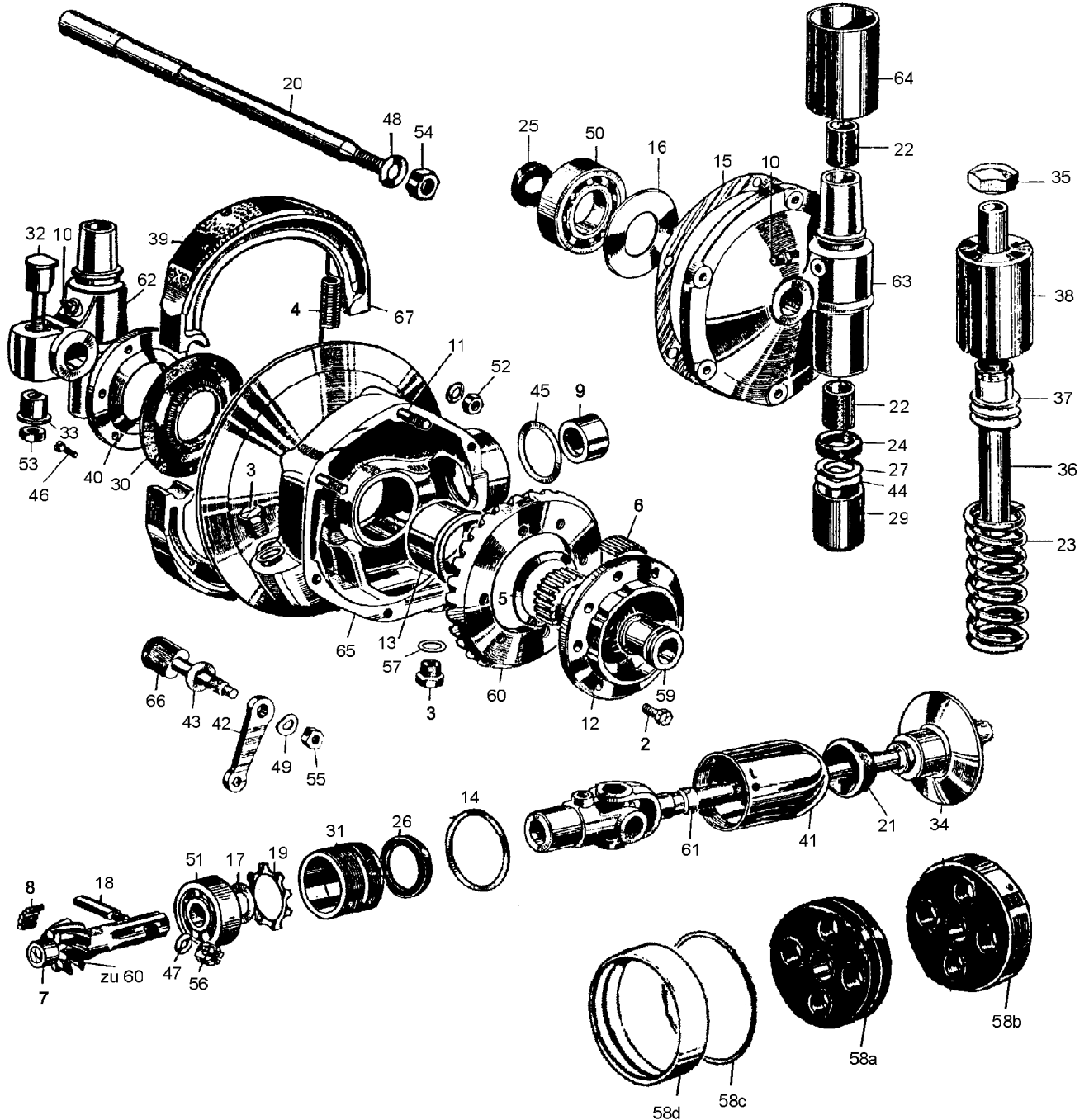


K016	38142	Drive shaft nut for BMW R25-R27	4,03 €	4,80 €
K017	38144	Washer for drive shaft nut R25, R26, R27	0,38 €	0,45 €
K018A	120031	Flange drive shaft for BMW R25, R25/2 and R25/3 used	57,14 €	68,00 €
K018B	3000	Pressing cardan flange off / on for BMW R24-R25/3 and R51/2-R68	28,07 €	33,40 €
K019A	4051	Brake lining for BMW R25 and R 25/2	10,00 €	11,90 €
K019B	2051	Brake lining for BMW R25/3, R26 and R27	10,00 €	11,90 €
K020	60134	Brake-shoe spring for BMW R25-R27	2,48 €	2,95 €
K021	04161	Wheel axle R25, R25/2, R25/3, rear	50,34 €	59,90 €
K022A	04168	Spring for BMW R25 and R25/2, rear suspension for solo and sidecar use	17,65 €	21,00 €
K022B	54004	Spring for BMW R25/3, rear suspension for solo and sidecar use	14,20 €	16,90 €
K023A	54101	Bushing for rear suspension for BMW R25 and R25/2	9,20 €	10,95 €
K023B	54103	Bushing for rear suspension for BMW R25/3	11,22 €	13,35 €
K024A	54110	Suspension tube for BMW R25	23,53 €	28,00 €
K024A	54109	Suspension tube for BMW R25 and R25/2 used	10,84 €	12,90 €
K024AA	9954110	Suspension tube for BMW R25/2	41,93 €	49,90 €
K024B	954111	Suspension tube for BMW R25/3 and R51/3-R68	23,53 €	28,00 €
K025	54120	Rear suspension bump stop rubber for BMW R25, R25/2 and R25/3	2,77 €	3,30 €
K025B	20136	Washer for Earles swing (inner) gearbox inlet R50-R69S	2,44 €	2,90 €
K025C	054217	Washer for rear drive rubber bumper R25/3, R51/3	1,85 €	2,20 €
K027C	054128	Suspension clamping part for BMW R25/3, rear wheel spring system	25,13 €	29,90 €
K028	04164	Gasket for rear drive cover for BMW R25, R25/2 & R25/3	2,35 €	2,80 €
K029A	60108	Brake lever for BMW R25 and R25/2, rear used	5,80 €	6,90 €
K029B	060111	Brake lever for BMW R25/3, rear used	5,80 €	6,90 €
K030A	38176	Drive shaft protecting bell for BMW R25 and R25/2	27,56 €	32,80 €
K030B	38178	Drive shaft protecting bell for BMW R25/3 Aluminium	27,56 €	32,80 €
K032A	10077	Shock cover for BMW R25 and R25/2, rear top aluminum	13,28 €	15,80 €
K032B	1077	Shock cover for BMW R25/3, rear top, 66mm aluminum	13,28 €	15,80 €
K032C	0007848	Shock cover for BMW R25/3, rear top, 70mm aluminum	13,28 €	15,80 €
K033A	54141	Grease cup for BMW R25 and R25/2, rear suspension tin	9,03 €	10,75 €
K033B	54143	Grease cup for BMW R25/3, rear suspension Aluminium	10,84 €	12,90 €
K034A	54117	Cap nut (octagonal) for rear shock for BMW R25/3 stainless steel	23,49 €	27,95 €
K034B	0054114	Aluminium cap rear suspension for BMW R25	12,60 €	14,99 €
K034C	18029	Cap nut (octagonal) for rear shock for BMW R25/2 stainless steel	20,13 €	23,95 €
K035	38133	Grease port M6 (fine thread)	2,44 €	2,90 €
K036	38195	Gasket ring for drive shaft bell for BMW R25-R25/3	2,44 €	2,90 €
K037A	24016	Drive shaft protecting rubber for BMW R25-R25/3 and R51/2-R68, black	4,03 €	4,80 €
K037B	38170	Drive shaft protecting rubber for BMW R25-R25/3 and R51/2-R68, white	4,03 €	4,80 €
K039A	04210	Axle bolt for BMW R25/2-R68, rear, complete	23,49 €	27,95 €
K039AA	0004210	Axle bolt for BMW R25/2-R68, rear zincked	16,39 €	19,50 €
K042	2064	Bearing crankshaft for BMW R24-R27, front and R24-R25/3, rear and crown wheel outer for BMW R25, R26 and R27	10,42 €	12,40 €
K043	12064	Bearing crown wheel for BMW R25-R27	33,53 €	39,90 €
K044	82460	Bearing pinion shaft for BMW R24-R27	28,07 €	33,40 €
K045A	22093	Nut M 8 x 1 zincked	0,25 €	0,30 €
K045B	22082	Spring washer B 8, DIN137A zincked	0,08 €	0,10 €
K045C	99001	Nut M 8 x 1, fine pitch thread stainless steel	0,97 €	1,15 €
K046	98365	Nut M10 x 1, fine pitch thread stainless steel	1,26 €	1,50 €
K047A	22155	Nut M14 x 1,5 for wheel axle for BMW R24-R69 zincked	0,76 €	0,90 €
K047B	98388	Nut M14 x 1,5 for wheel axle for BMW R24-R69 stainless steel	1,93 €	2,30 €
K049	85905	Roller bearing N304 (pinion R25-R25/3)	75,55 €	89,90 €
K051A	28016	Driving plate for BMW R24-R25/3 and R51/2-R68, naked WITHOUT chrome ring	14,83 €	17,65 €
K051B	99904	Driving plate for BMW R24-R25/3 and R51/2-R68, complete with chrome rim	30,17 €	35,90 €
K051C	38105	Lock washer driving plate for BMW R24-R27 and R51/2-R68	4,03 €	4,80 €
K051D	38179	Driving plate chrome ring for BMW R24-R27 and R51/2-R68	14,83 €	17,65 €
K052A	60103	Brake-shoe for BMW R25/3, R26 and R27, rebuilt	30,17 €	35,90 €
K053A	2031	Drive shaft for BMW R25, R25/2 and R25/3, USED WITHOUT flange and bell, u-joint in good condition!!!	159,66 €	190,00 €
K053B	38014	Drive shaft for BMW R25, R25/2 and R25/3, USED, completely rebuilt with new or good u-joint, new bell and new rubber	252,02 €	299,90 €
K053C	3034	Repair of universal joint, labour and u-joint	76,64 €	91,20 €
K053D	99923	U-joint for BMW R24-R25/3	41,93 €	49,90 €
K055A	4077	Shock cover for BMW R25 and R25/2, rear lower black, steel	11,26 €	13,40 €
K055B	54147	Shock cover for BMW R25/3, rear lower black, please give measurement! Different sizes!	11,26 €	13,40 €
K058A	04218	Suspension unit holder for BMW R25-R25/2 used	33,61 €	40,00 €
K058B	04222	Suspension unit holder for BMW R25/3, left side used	42,02 €	50,00 €
K059A	060104	Brake spanner for BMW R25-R25/2, rear used	7,69 €	9,15 €
K059B	060103	Brake spanner for BMW R25/3, rear used	7,69 €	9,15 €



K060B	38193	Crown + pinion wheel set 25:6 R25/3 solo	394,87 €	469,90 €
K060B	41031	Crown + pinion wheel set 27:6 R25-R25/3, used	268,91 €	320,00 €
K061	03503	Dowel pin for drive cover R50-R69S, R25-R27 stainless steel	3,36 €	4,00 €

Group C: Rear transmission all Twins 1948-1956



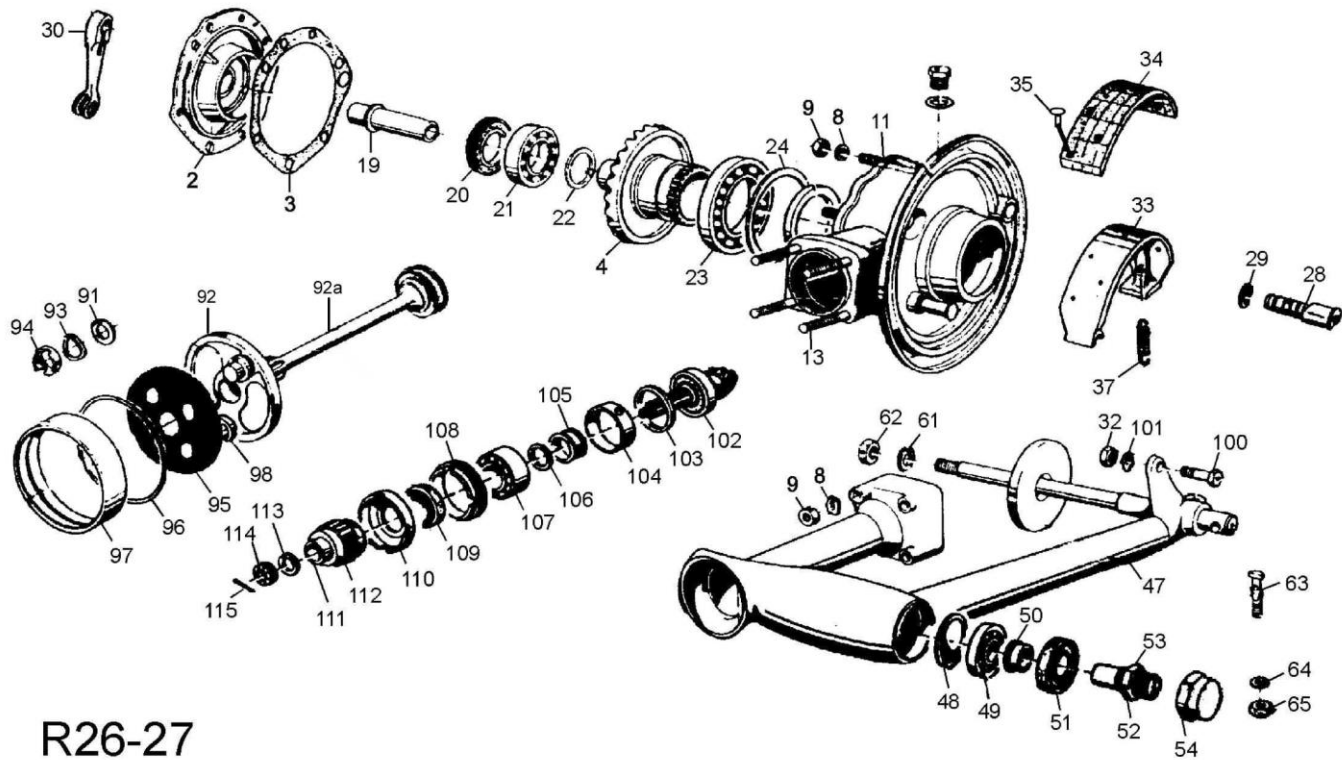
<u>Picture-No.</u>	<u>Article-No.</u>	<u>Description</u>	<u>Net</u>	<u>Gross</u>
C000	600002	Gasket set rear drive (No.A04), for BMW R51/2-R68	19,83 €	23,60 €
C000	04043	Rear drive for BMW R51/3-R68 overhauled	1.050,42 €	1.250,00 €
C002	04150	Screw for crown wheel R51/3-R68	3,36 €	4,00 €
C003	07163	Oil drain screw, M14, magnetic zincked	3,19 €	3,80 €
C003	0007163	Oil drain screw, M14, magnetic stainless steel	7,48 €	8,90 €
C004	60237	Brake-shoe spring for BMW R51/3-R69S, front and rear lower	2,73 €	3,25 €
C006	34191	Needle for crown wheel bearing	0,25 €	0,30 €
C008	38296	Needle for pinion wheel bearing You need for one set = 28 pieces	0,17 €	0,20 €
C009	38298	Needle bearing for pinion wheel for BMW R51/2-R68	20,97 €	24,95 €
C010	38133	Grease port M6 (fine thread)	2,44 €	2,90 €
C011	04323	Dowel pin for rear drive cover R51/3-R68	2,48 €	2,95 €
C012	04331	Coupling crown wheel for BMW R51/3-R68	147,06 €	175,00 €
C012A	04332	Coupling wheel hub for BMW R51/3-R68 (for repro hub only)	61,64 €	73,35 €
C012B	04355	Felt ring for crown-wheel for BMW R51/2-R68	2,48 €	2,95 €
C013	04382	Bushing rear drive for BMW R51/3-R68	50,38 €	59,95 €



C014	38196	Gasket ring for drive shaft bell for BMW R51/2-R68	2,44 €	2,90 €
C015	04360	Gasket for rear drive for BMW R51/3	3,19 €	3,80 €
C016	3004362	Distance washer transmission-unit/cover for BMW R51/2-R68, 0.50mm	7,48 €	8,90 €
C016a	3004363	Distance washer transmission-unit/cover for BMW R51/2-R68, 0.60mm	7,48 €	8,90 €
C016b	3004364	Distance washer transmission-unit/cover for BMW R51/2-R68, 0.75mm	7,48 €	8,90 €
C016c	3004365	Distance washer transmission-unit/cover for BMW R51/2-R68, 0.88mm	7,48 €	8,90 €
C018	38288	Wedge for drive shaft for BMW R51/2-R68	5,00 €	5,95 €
C020B	04366	Wheel axle R51/3-R68, rear	50,34 €	59,90 €
C021A	24016	Drive shaft protecting rubber for BMW R25-R25/3 and R51/2-R68, black	4,03 €	4,80 €
C021B	38170	Drive shaft protecting rubber for BMW R25-R25/3 and R51/2-R68, white	4,03 €	4,80 €
C022	54312	Bushing for rear suspension for BMW R51/2-R68	9,20 €	10,95 €
C023A	54028	Spring for BMW R51/2-R68, rear suspension for solo use	14,20 €	16,90 €
C023B	54027	Spring for BMW R51/2-R68, rear suspension for sidecar use	14,20 €	16,90 €
C024	54215	Rear suspension bump stop rubber for BMW R51/2-R68	2,77 €	3,30 €
C026	5027	Seal-ring, transmission input 51/3-68	6,09 €	7,25 €
C027	054217	Washer for rear drive rubber bumper R25/3, R51/3	1,85 €	2,20 €
C029	54234	Grease cup for BMW R51/2-R68, rear suspension tin	9,41 €	11,20 €
C030	04370	Boot crown wheel for BMW R51/3-R68	9,20 €	10,95 €
C031	38281	Rear drive threaded ring R51/3-R68	25,63 €	30,50 €
C032A	04210	Axle bolt for BMW R25/2-R68, rear, complete	23,49 €	27,95 €
C032AA	0004210	Axle bolt for BMW R25/2-R68, rear zincked	16,39 €	19,50 €
C032B	3004209	Axle bolt ONLY for BMW R25 and R51/2, rear	11,09 €	13,20 €
C034A	038274	Flange drive shaft for BMW R51/2-R68 chromed	68,91 €	82,00 €
C034B	3000	Pressing cardan flange off / on for BMW R24-R25/3 and R51/2-R68	28,07 €	33,40 €
C035A	54321	Cap nut (hexagonal) for rear shock for BMW R51/3-R68 chromed	16,72 €	19,90 €
C035B	54322	Cap nut (hexagonal) for rear shock for BMW R51/3-R68 stainless steel, polished	16,72 €	19,90 €
C035C	54114	Aluminium cap rear suspension for BMW R51/2	10,84 €	12,90 €
C036	954111	Suspension tube for BMW R25/3 and R51/3-R68	23,53 €	28,00 €
C037A	54327	Suspension clamping part for BMW R51/3-R68, rear	25,13 €	29,90 €
C038	5077	Shock cover for BMW R51/2-R68, rear upper aluminium	13,28 €	15,80 €
C039A	5051	Brake lining for BMW R51/2-R68, semi-hub	10,00 €	11,90 €
C039B	3051	Brake lining for BMW R51/3-R68, full-hub	10,00 €	11,90 €
C039C	0008051	Rivet bolts for brake lining, 50 pcs., 10mm long	3,36 €	4,00 €
C040	04373	Oil drip cover reardrive for BMW R51/3-R68 used	9,20 €	10,95 €
C041	038270	Drive shaft protecting bell for BMW R51/2-R68 aluminum polished	32,69 €	38,90 €
C042	60201	Brake lever for BMW R51/3-R68, rear, semi-hub	5,80 €	6,90 €
C048A	04378	Flat washer for wheel axle for R24-R69S zincked	0,38 €	0,45 €
C048B	31089	Flat washer for wheel axle for BMW R24-R69S stainless steel polished	4,86 €	5,78 €
C049A	22083	Spring washer B10, DIN137A zincked	0,17 €	0,20 €
C049B	22082	Spring washer B 8, DIN137A zincked	0,08 €	0,10 €
C050	3064	Bearing crankshaft for BMW R26 and R27, rear and R51/2-R69S and crownwheel for BMW R51/3-R68, outer	12,44 €	14,80 €
C051	18064	Bearing pinion shaft for BMW R51/2-R69S	29,37 €	34,95 €
C051a	0018064	Bearing pinion shaft for BMW R51/2-R69S reinforced, metall cage	58,74 €	69,90 €
C052	22093	Nut M 8 x 1 zincked	0,25 €	0,30 €
C052B	99001	Nut M 8 x 1, fine pitch thread stainless steel	0,97 €	1,15 €
C053	22122	Nut M10 x 1 zincked	0,34 €	0,40 €
C054A	22155	Nut M14 x 1,5 for wheel axle for BMW R24-R69 zincked	0,76 €	0,90 €
C054B	98388	Nut M14 x 1,5 for wheel axle for BMW R24-R69 stainless steel	1,93 €	2,30 €
C055A	21615	Nut M10 x 1, flat for brake-key and shockabsorber, rear	0,50 €	0,60 €
C055B	22094	Nut M 8 x 1, flat for brake key	0,29 €	0,35 €
C056	23420	Castle nut M 8x1 zinced, fine thread	1,26 €	1,50 €
C057	2027	Gasket ring oil drain screw, M14x20x2	0,67 €	0,80 €
C058A	28016	Driving plate for BMW R24-R25/3 and R51/2-R68, naked WITHOUT chrome ring	14,83 €	17,65 €
C058B	99904	Driving plate for BMW R24-R25/3 and R51/2-R68, complete with chrome rim	30,17 €	35,90 €
C058C	38105	Lock washer driving plate for BMW R24-R27 and R51/2-R68	4,03 €	4,80 €
C058D	38179	Driving plate chrome ring for BMW R24-R27 and R51/2-R68	14,83 €	17,65 €
C059	3004357	Coupling distance sleeve for BMW R51/2-R68 on crown wheel	10,34 €	12,30 €
C060A	10150	Crown + pinion wheel set 35:9 R51/2.R68, repro	381,18 €	453,60 €
C060B	04026	Crown + pinion wheel set 37:8 R51/2-R68 + sidecar	180,63 €	214,95 €
C061	38027	Drive shaft for BMW R51/2-R68, complete overhaul	378,15 €	450,00 €
C061B	3034	Repair of universal joint, labour and u-joint	76,64 €	91,20 €
C061C	99921	U-joint for BMW R51/3-R68, R50-R69S and R50/5-R100 (all models)	38,32 €	45,60 €
C062	04422	Suspension unit holder for BMW R51/2-R68, left side used	100,84 €	120,00 €
C064	54236	Shock cover for BMW R51/3-R68, rear lower black, steel	11,26 €	13,40 €
C066	060211	Brake spanner for BMW R51/3-R68, rear, half hub	10,84 €	12,90 €
C066	060210	Brake spanner for BMW R51/3-R68, rear, full hub used	41,18 €	49,00 €

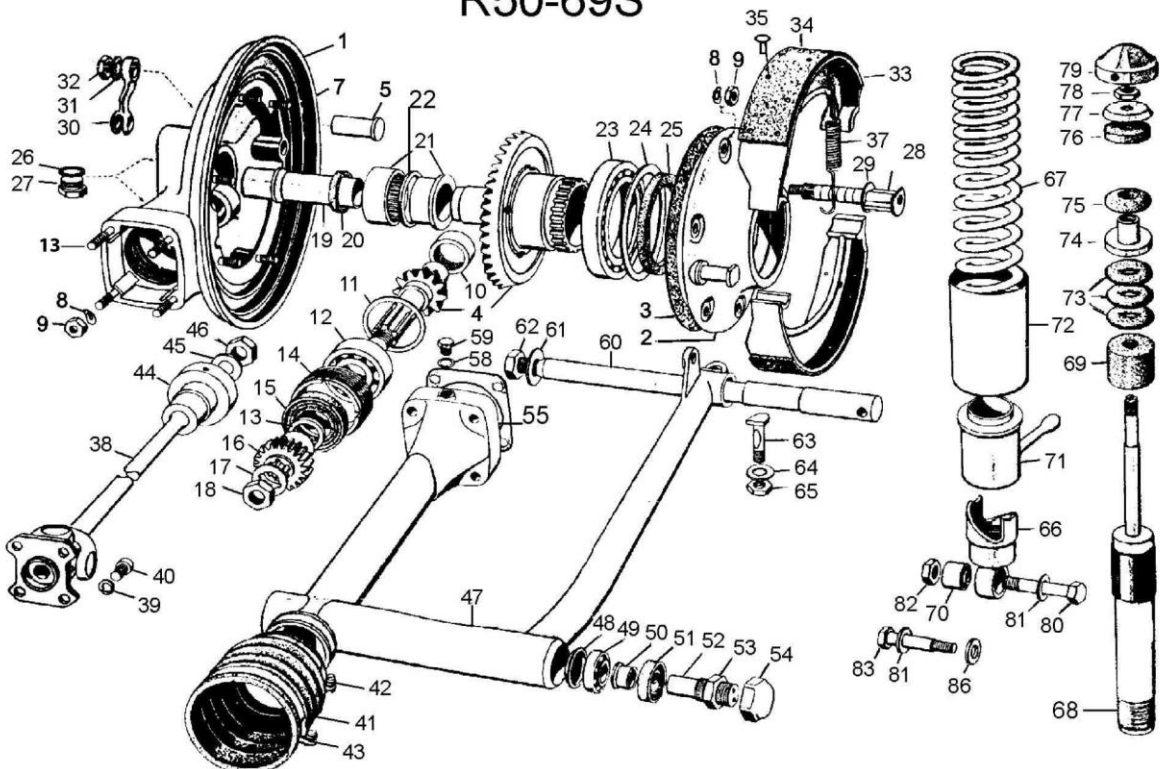


Group P: Rear swing arm and transmission all models 1955-1969



R26-27

R50-69S



Picture-No. Article-No. Description

P000	9916566	Screw M4x8, slot, stainless
P000	600019	Gasket set rear drive (No.A03), for BMW R26-R27
P000	9998450	Spring washer B 4, DIN137B stainless steel
P000	600012	Gasket set rear drive (No.A05), for BMW R50-R69S

Net Gross

0,21 €	0,25 €
24,79 €	29,50 €
0,10 €	0,12 €
17,90 €	21,30 €



P000	45415	Cover for engine breather rear drive for BMW R50-R69S stainless steel	7,73 €	9,20 €
P001A	04014	Rear drive for BMW R26 and R27 overhauled	806,72 €	960,00 €
P001B	04031	Rear drive for BMW R50-R69S overhauled	1.050,42 €	1.250,00 €
P001C	04032	Rear drive housing for BMW R50-R69S	394,87 €	469,90 €
P003A	04162	Gasket for rear drive cover for BMW R26 & R27	2,35 €	2,80 €
P003B	04320	Gasket for rear drive cover for BMW R50-R69S	3,19 €	3,80 €
P004	10173	Crown + pinion wheel set R50S 25:7	469,75 €	559,00 €
P004A	38189	Crown + pinion wheel set 25:6 R26/27	394,87 €	469,90 €
P004C	10185	Crown + pinion wheel set 27:7 R50-69S + sidecar BMW	508,40 €	605,00 €
P004c	101851	Crown + pinion wheel set 27:7 R50-R69S + sidecar repro	475,21 €	565,50 €
P004D	3010181	Crown + pinion wheel set 26:6, R50-69S + sidecar original BMW	520,00 €	618,80 €
P004D	20001	Crown + pinion wheel set 26:6, R50-69S + sidecar	483,19 €	575,00 €
P004E	10160	Crown + pinion wheel set 27:8, R50S, R69S (w/o sidecar)	474,79 €	565,00 €
P004E	3010172	Crown + pinion wheel set 25:8, R50-69S solo BMW	515,13 €	613,00 €
P004F	10174	Crown + pinion wheel set 25:8 R50-69S	378,07 €	449,90 €
P004G	97310	Coupling repair (rear drive) for BMW R24-R27 delivered dissected!!!	159,58 €	189,90 €
P004G	9947165	Rivet for wheel spline R50/5-R75/5	1,09 €	1,30 €
P004H	97312	Drive coupling repair (rear drive) for BMW R50-R69S delivered dissected!!!	159,58 €	189,90 €
P004J	97311	Drive coupling rear drive wheel for BMW R50-R69S, single to weld-on	125,97 €	149,90 €
P007	03503	Dowel pin for drive cover R50-R69S, R25-R27 stainless steel	3,36 €	4,00 €
P008	22082	Spring washer B 8, DIN137A zincked	0,08 €	0,10 €
P009	22093	Nut M 8 x 1 zincked	0,25 €	0,30 €
P009B	99001	Nut M 8 x 1, fine pitch thread stainless steel	0,97 €	1,15 €
P010	16064	Needle bearing for pinion wheel for BMW R50-R69S	58,74 €	69,90 €
P012	18064	Bearing pinion shaft for BMW R51/2-R69S	29,37 €	34,95 €
P012a	0018064	Bearing pinion shaft for BMW R51/2-R69S reinforced, metall cage	58,74 €	69,90 €
P013A	38248	Distance ring rear drive for BMW R50-R69S	2,10 €	2,50 €
P013A	08634	Dowel pin rear drive/swing R26/27	2,10 €	2,50 €
P013B	03530	Dowel pin rear drive/swing R50-R69S	3,53 €	4,20 €
P014	38252	Final drive threaded ring R50-69S	17,86 €	21,25 €
P015	38257	Seal-ring, transmission input R50-69S	4,58 €	5,45 €
P016	38260	Drive coupling pinion wheel for BMW R50-R69S	83,95 €	99,90 €
P017	38264	Lock plate for transmission input nut R50-69S	2,94 €	3,50 €
P018	21630	Nut M14 x 1,5 flat for drive shaft for BMW R50-R69S	0,97 €	1,15 €
P018	2163099	Nut M14 x 1,5 flat for wheel axle for BMW R50/5-R100 and R69US, front and rear zincked	0,97 €	1,15 €
P020A	1082	Seal-ring, rear drive, R26/27	10,00 €	11,90 €
P020B	04337	Seal-ring, rear drive, R50-R69S, R50/5-R100	3,61 €	4,30 €
P021A	2064	Bearing crankshaft for BMW R24-R27, front and R24-R25/3, rear and crown wheel outer for BMW R25, R26 and R27	10,42 €	12,40 €
P021B	42738	Needle bearing for crown wheel for BMW R50-R69S	76,89 €	91,50 €
P021C	3038244	Reduction bushing rear drive for BMW R50-R69SR50-R69S in connection with needle bearing R50/5-R75/5	9,20 €	10,95 €
p022a	38931	Thrust ring crown wheel for BMW R50-R69S and R50/5-R100, 1,6mm	19,24 €	22,90 €
p022b	38932	Thrust ring crown wheel for BMW R50-R69S and R50/5-R100, 1,6mm	19,24 €	22,90 €
p022c	32769	Thrust ring crown wheel for BMW R50-R69S and R50/5-R100, 1,7mm	19,24 €	22,90 €
p022d	30527	Thrust ring crown wheel for BMW R50-R69S and R50/5-R100, 1,8mm	19,24 €	22,90 €
p022e	31238	Thrust ring crown wheel for BMW R50-R69S and R50/5-R100, 1,9mm	19,24 €	22,90 €
p022f	30528	Thrust ring crown wheel for BMW R50-R69S and R50/5-R100, 2,0mm	19,24 €	22,90 €
p022g	31239	Thrust ring crown wheel for BMW R50-R69S and R50/5-R100, 2,1mm	19,24 €	22,90 €
p022h	30529	Thrust ring crown wheel for BMW R50-R69S and R50/5-R100, 2,3mm	19,24 €	22,90 €
p022i	30530	Thrust ring crown wheel for BMW R50-R69S and R50/5-R100, 2,2mm	19,83 €	23,60 €
p022j	30531	Thrust ring crown wheel for BMW R50-R69S and R50/5-R100, 2,4mm	20,97 €	24,95 €
p022k	30532	Thrust ring crown wheel for BMW R50-R69S and R50/5-R100, 2,5mm	19,24 €	22,90 €
P023A	12064	Bearing crown wheel for BMW R25-R27	33,53 €	39,90 €
P023B	19064	Bearing crown wheel for BMW R50-R69S and R50-R100	33,53 €	39,90 €
P024a	1230535	Distance washer crown wheel, 2-arm swing, 0,180mm	9,75 €	11,60 €
P024d	1230538	Distance washer crown wheel, 2-arm swing, 0,500mm	8,36 €	9,95 €
P024e	1230539	Distance washer crown wheel, 2-arm swing, 0,630mm	8,36 €	9,95 €
P024f	1230540	Distance washer crown wheel, 2-arm swing, 0,750mm	8,36 €	9,95 €



P024g	1230541	Distance washer crown wheel, 2-arm swing, 0,880mm	8,36 €	9,95 €
P025A	13032	Seal-ring, crown wheel, R25-27	7,48 €	8,90 €
P025B	14032	Seal-ring, crown wheel, R50-69S	7,65 €	9,10 €
P026	2027	Gasket ring oil drain screw, M14x20x2	0,67 €	0,80 €
P027	07163	Oil drain screw, M14, magnetic zincked	3,19 €	3,80 €
P027	0007163	Oil drain screw, M14, magnetic stainless steel	7,48 €	8,90 €
P028A	60102	Brake spanner for BMW R26 and R27, rear used	7,69 €	9,15 €
P028B	60216	Brake spanner for BMW R50-R69S, rear, including nut and washer	16,72 €	19,90 €
P030B	60101	Brake lever for BMW R50-R69S, rear	21,01 €	25,00 €
P032	21615	Nut M10 x 1, flat for brake-key and shockabsorber, rear	0,50 €	0,60 €
P033A	60103	Brake-shoe for BMW R25/3, R26 and R27, rebuilt	30,17 €	35,90 €
P033B	60241	Brake-shoe for BMW R50-R69S, rear upper, rebuilt	34,87 €	41,50 €
P033B	6024101	Brake-shoe for BMW R50-R69S, rear lower, rebuilt	34,87 €	41,50 €
P034A	2051	Brake lining for BMW R25/3, R26 and R27	10,00 €	11,90 €
P034B	1051	Brake lining for BMW R50-R69S	10,00 €	11,90 €
P035A	0098051	Rivet bolts for brake lining, 50 pcs., 8mm long	3,36 €	4,00 €
P035B	0008051	Rivet bolts for brake lining, 50 pcs., 10mm long	3,36 €	4,00 €
P037A	60134	Brake-shoe spring for BMW R25-R27	2,48 €	2,95 €
P037B	60237	Brake-shoe spring for BMW R51/3-R69S, front and rear lower	2,73 €	3,25 €
P038A	38034	Drive shaft for BMW R50-R60/2 and R69S, reinforced, cone 1:6	220,00 €	261,80 €
P038B	38035	Drive shaft for BMW R50-R69S overhaul - PLEASE INDICATE CONUS SIZE!!!	220,00 €	261,80 €
P038B	3034	Repair of universal joint, labour and u-joint	76,64 €	91,20 €
P038C	99921	U-joint for BMW R51/3-R68, R50-R69S and R50/5-R100 (all models)	38,32 €	45,60 €
P039	98432	Lock washer A 8, Form B zincked	0,08 €	0,10 €
P040	30414	Drive shaft, twelve-sided bolt for BMW R50-R69S and R50/5-R100RT until year of manufacture 09/1980	1,64 €	1,95 €
P040	1242297	Drive shaft, twelve-sided bolt for BMW R45, R65 and R80/7-R100RT from year of manufacture 09/1980	1,93 €	2,30 €
P041	90016	Rubber boot gearbox-swingarm for BMW R50-R69S	10,29 €	12,25 €
P042	191191	Clamp for gearbox boot for R50-R69S, back (clamp with screw)	1,30 €	1,55 €
P042	9952070	Clamp for gearbox boot for R50-R69S, back solid measure: 70,0mm, original shape	3,15 €	3,75 €
P042	9952090	Clamp for gerabox boot for R50-R69S, front solid measure: 90,0mm, original shape	4,12 €	4,90 €
P043	191192	Clamp for gerabox boot for R50-R69S, front (clamp with screw)	1,60 €	1,90 €
P044A	138238	Drive shaft bell for BMW R50-R69S used - PLEASE INDICATE CONUS SIZE!!!	38,35 €	45,64 €
P044B	038237	Drive shaft bell for BMW R 50-R69S, 1:5 cone, M14	82,77 €	98,50 €
P044C	38238	Drive shaft bell for BMW R 50-R69S, 1:6 cone, M16	73,19 €	87,10 €
P046A	21630	Nut M14 x 1,5 flat for drive shaft for BMW R50-R69S	0,97 €	1,15 €
P046A	2163099	Nut M14 x 1,5 flat for wheel axle for BMW R50/5-R100 and R69US, front and rear zincked	0,97 €	1,15 €
P046B	30084	Drive shaft nut, M16 with bund	6,30 €	7,50 €
P047A	26031	Swingarm rear, R 26/27, used	100,00 €	119,00 €
P047B	27031	Rear swing arm R50-69S used	210,00 €	249,90 €
P047D	54260	Converted swingarm, /5 transmission in old frame in exchange	294,12 €	350,00 €
P047D	31687	Suspension unit holder for BMW /5 „swing arm conversion-type“	62,94 €	74,90 €
P048	39812	Grease stop washer swingarm for BMW R26, R27 and R50-R100, rear	4,54 €	5,40 €
P049	13064	Bearing wheel for BMW R26, R27, R50/5-R100 and R45/R65 until year of manufacture 09/1984 and rocker arm for BMW R26-R69S and R50/5-R100, front and rear	15,88 €	18,90 €
P049	0013064	Bearing wheel for BMW R26, R27 and R50/5-R100, +0,10mm / 0,15mm overmeasure and rocker arm for BMW R26-R69S, front and rear	37,82 €	45,00 €
P050	00324	Thrust sleeve swingarm for BMW R26-R100	5,84 €	6,95 €
P051	00331	Seal-ring, swingarm all	3,19 €	3,80 €
P052	54171	Swing arm bolt R26-69S incl. nut	16,39 €	19,50 €
P053	54174	Nut for rear swing arm bolt R26-R100	4,83 €	5,75 €
P054	54172	Aluminium cap for rear swing arm bearing for BMW R26-R69S	12,77 €	15,20 €
P055	54266	Gasket driveshaft for BMW R50-R69S	1,09 €	1,30 €
P058	63073	Gasket ring toolbox screw, M10x14x1.5	0,17 €	0,20 €
P059B	19216	Oil drain screw, M10 x 1 brass	2,14 €	2,55 €
P059B	19217	Oil drain screw, M10 x 1 stainless steel	4,16 €	4,95 €
P060A	04158	Wheel axle R26, R27, rear	50,34 €	59,90 €
P060B	04368	Wheel axle R50-69S, rear, chrome	50,34 €	59,90 €



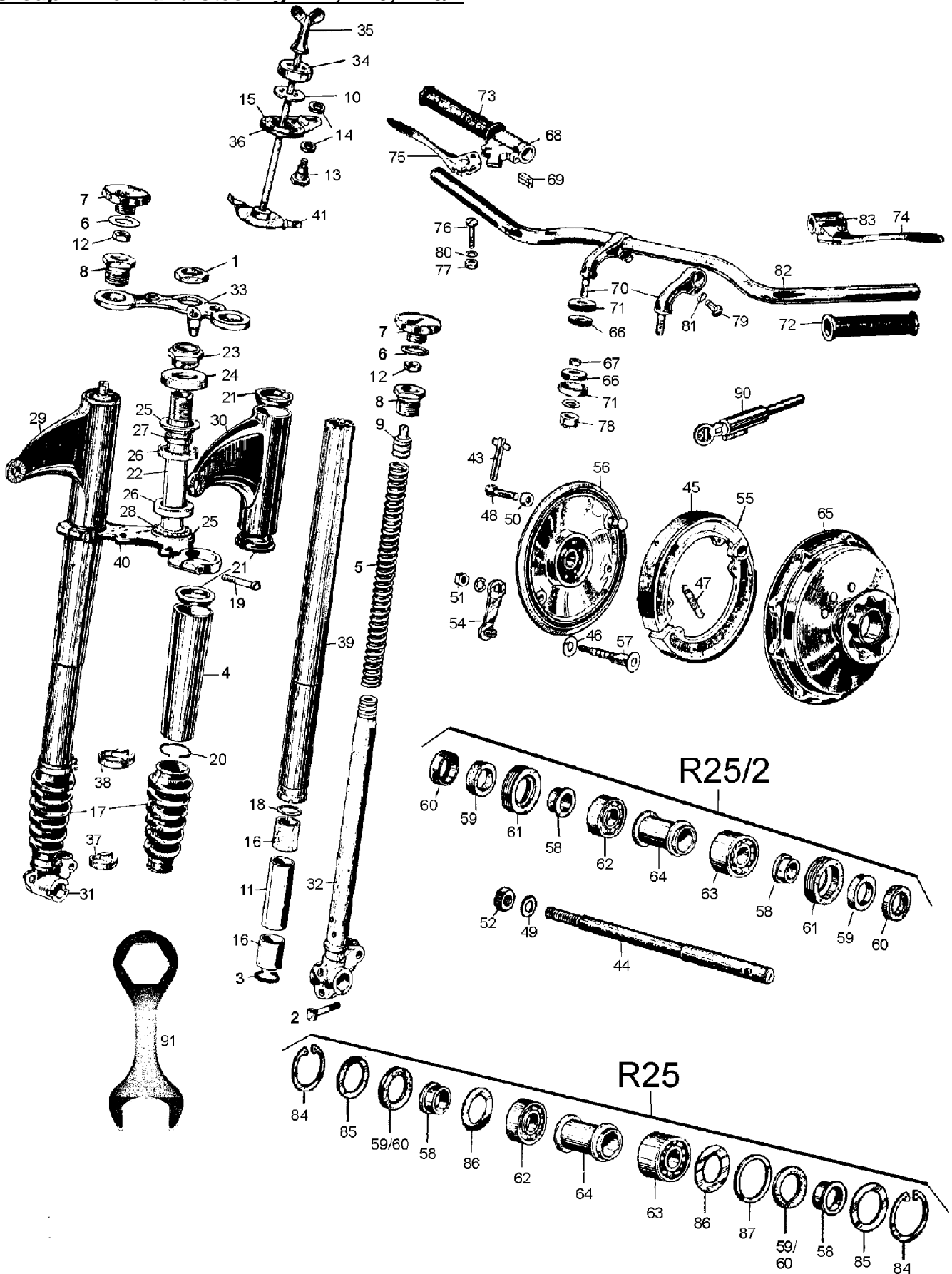
P060C	3004368	Wheel axle R50-69S, rear stainless steel	54,54 €	64,90 €
P061A	04378	Flat washer for wheel axle for R24-R69S zincked	0,38 €	0,45 €
P061B	31089	Flat washer for wheel axle for BMW R24-R69S stainless steel polished	4,86 €	5,78 €
P062A	22155	Nut M14 x 1,5 for wheel axle for BMW R24-R69 zincked	0,76 €	0,90 €
P062B	98388	Nut M14 x 1,5 for wheel axle for BMW R24-R69 stainless steel	1,93 €	2,30 €
P063	54176	Axle bolt for BMW R26-R69S, rear original BMW	13,95 €	16,60 €
P063A	995176	Axle bolt for BMW R26-R69S, rear zincked	7,39 €	8,79 €
P065	98365	Nut M10 x 1, fine pitch thread stainless steel	1,26 €	1,50 €
P066A	54182	Rear suspension adaptor R26, R27 back righthand, USED	12,93 €	15,39 €
P066A	5418201	Rear suspension adaptor R26, R27 back lefthand, USED	12,93 €	15,39 €
P066B	54283	Rear shock mount R50-R69S, used, RH or LH	23,01 €	27,38 €
P066C	3054282	Rear shock mount R50-R69S, left hand	28,53 €	33,95 €
P066D	3054283	Rear shock mount R50-R69S, right hand	28,53 €	33,95 €
P067A	54284	Spring for BMW R26, R27 and R50-R69S, rear suspension for solo use	14,37 €	17,10 €
P067B	2018	Spring for BMW R26, R27 and R50-R69S, rear suspension for sidecar use	14,12 €	16,80 €
P068A	3054290	Shock cartridge R50-69S, rear	80,00 €	95,20 €
P068AA	3054091	Shock cartridge R26/27, rear	80,00 €	95,20 €
P068B	54290	Shock cartridge Boge R26-R96S, rear	113,36 €	134,90 €
P070A	46016	Silent bloc shocks R50-69S front, 26/27 front+rear	3,49 €	4,15 €
P070B	89016	Silent bloc rear shocks, R50-69S	5,80 €	6,90 €
P071A	54194	Rear suspension adjusting-jacket for BMW R26, R27 and R50-R69S	30,88 €	36,75 €
P071B	54195	Rear suspension adjusting-jacket for BMW R26, R27 and R50-R69S used	15,34 €	18,25 €
P072	8077	Shock cover for BMW R26-R69S, rear lower aluminium	13,28 €	15,80 €
P073	54528	Shock absorber stop rubber	1,93 €	2,30 €
P074	54201	Stop plate for shock absorber for BMW R26-R69S, rear	10,59 €	12,60 €
P075	54204	Shock absorber compensating rubber R26-R69S	1,93 €	2,30 €
P076	54208	Upper shock absorber rubber bearing R26-69S	1,93 €	2,30 €
P077	054210	Shock absorber cap for rubber bearing R26-R69S	2,69 €	3,20 €
P078	21615	Nut M10 x 1, flat for brake-key and shockabsorber, rear	0,50 €	0,60 €
P078	22122	Nut M10 x 1 zincked	0,34 €	0,40 €
P079	54044	Aluminium cap for rear suspension BMW R26-R69S	14,83 €	17,65 €
P080	14625	Suspension unit locking screw for BMW R50-R69S, rear, left side stainless steel	7,69 €	9,15 €
P081A	98424	Washer B 13	0,17 €	0,20 €
P081B	98425	Washer B 13 stainless	0,42 €	0,50 €
P082A	98375	Nut M12 x 1,5 zincked	0,67 €	0,80 €
P082B	98377	Nut M12 x 1,5, flat stainless steel	2,10 €	2,50 €
P082B	98378	Nut M12 x 1,5 stainless steel	2,44 €	2,90 €
P083C	54226	Suspension unit locking screw for BMW R26 and R27, rear, right side stainless steel	10,00 €	11,90 €
P083CC	3054225	Suspension unit locking screw for BMW R26 and R27, rear, right side original BMW New old stock, REMNANTS	10,00 €	11,90 €
P083D	54270	Suspension unit locking screw for BMW R50-R69S, rear, right side stainless steel	8,32 €	9,90 €
P083DE	5427099	Suspension unit locking screw for BMW R50-R69S, rear, right side	6,72 €	8,00 €
P091	038126	Washer 1.0mm R26/27 drive shaft flange	1,81 €	2,15 €
P091	038127	Washer castle nut drive shaft flange M18 for BMW R26 and R27	0,46 €	0,55 €
P092	38186	Flange drive shaft for BMW R26 and R27 used	28,15 €	33,50 €
P092a	3038200	Drive shaft for BMW R26 and R27, complete with pinion wheel coupling NEW	176,47 €	210,00 €
P093	38122	Spring washer for drive shaft nut for BMW R26 and R27	0,43 €	0,51 €
P094	38120	Castle nut drive flange M18 for BMW R26 and R27	8,36 €	9,95 €
P095	27016	Driving plate for BMW R26 and R27	16,39 €	19,50 €
P096	38105	Lock washer driving plate for BMW R24-R27 and R51/2-R68	4,03 €	4,80 €
P097	38179	Driving plate chrome ring for BMW R24-R27 and R51/2-R68	14,83 €	17,65 €
P098	38104	Spacer ring driving plate for BMW R26-R27	1,85 €	2,20 €
P099	9077	Hubcap R26/27, small, silver painted	9,41 €	11,20 €
P099A	60171	Hubcap R26/27, small, chrome-plated	12,52 €	14,90 €
P100A	13346	Suspension unit locking screw for BMW R26, R27 and R50-R69S, front, upper and for BMW R26 and R27, lower and rear left side, chromed	5,00 €	5,95 €
P100B	14337	Suspension unit locking screw for BMW R26 and R27, rear, left side stainless steel	6,89 €	8,20 €
P100B	14345	Suspension unit locking screw for BMW R26, R27 and R50-R69S, front, upper and for BMW R26 and R27, lower and rear left side, stainless steel	6,64 €	7,90 €
P101	22083	Spring washer B10, DIN137A zincked	0,17 €	0,20 €



P102	17064	Roller bearing pinion wheel R26/27	44,12 €	52,50 €
P107	82460	Bearing pinion shaft for BMW R24-R27	28,07 €	33,40 €
P108	30130	Rear drive threaded ring R26/27	17,90 €	21,30 €
P109	30541	Seal-ring transmission input R26/27	4,58 €	5,45 €
P110	38159	Cap nut for drive shaft for BMW R26 and R27 used, overhaul, blasted	30,25 €	36,00 €
P111	38163	Spacer rubber for gear pinion/drive shaft for BMW R26 and R27	4,12 €	4,90 €
P112	38146	Drive coupling pinion wheel for BMW R26 and R27 NEW	38,11 €	45,35 €
P113	38144	Washer for drive shaft nut R25, R26, R27	0,38 €	0,45 €
P114	38142	Drive shaft nut for BMW R25-R27	4,03 €	4,80 €
P115	36226	Split pin, cined	0,13 €	0,15 €
P115a	44136	Split pin for brake rod, stainless steel	0,13 €	0,15 €



Group T: Fork and steering R24, R25, R25/2



<u>Picture-No.</u>	<u>Article-No.</u>	<u>Description</u>	<u>Net</u>	<u>Gross</u>
T00	8080165	Guide plate cable holder for BMW R25/2 and R51/3-R68 mount on lower fork yoke	14,24 €	16,95 €
T000	4038114	Rim for BMW R25 and R25/2 stainless steel polished	142,77 €	169,90 €
T000	97003	Tool for wheel bearing nut R25-27	24,12 €	28,70 €
T001	00101	Counter nut, fork bridge for BMW R25-R69S	5,46 €	6,50 €
T002	54262	Axle bolt for BMW R25-R25/2 and R51/3-R68, front stainless steel, precision-turned	13,78 €	16,40 €



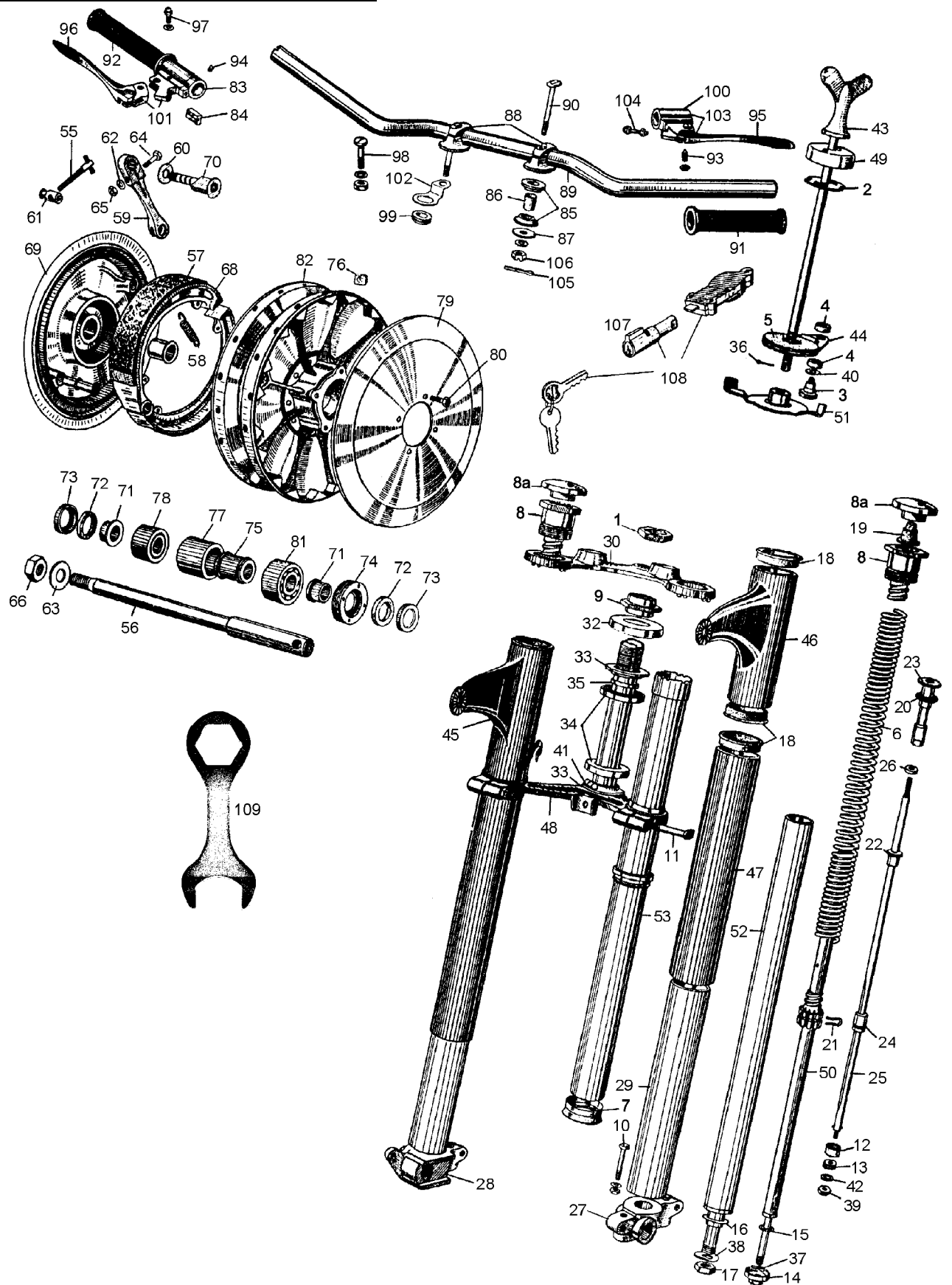
T003	00128	Lock ring fork bushing for BMW R24-R25/2	0,67 €	0,80 €
T004	02100	Fork jacket for BMW R25 and R25/2 black painted, NEW	26,22 €	31,20 €
T004	9902100	Fork jacket for BMW R25 and R25/2, ORIGINAL with traces of long storage green or black - please define color, REMNANTS	33,61 €	40,00 €
T006	33343	Gasket ring fork for BMW R25, R25/2 and from R50/5, upper cap	1,39 €	1,65 €
T007	00241	Aluminium cap for fork for BMW R25 and R25/2	16,39 €	19,50 €
T008	00156	Fork mounting piece for BMW R25 and R25/2 used	9,20 €	10,95 €
T00A	8070110	Grommet for Cable holder R25/2, R51/3-R68	2,94 €	3,50 €
T010	00245	Steering damper lock washer for BMW R25-R69S	8,78 €	10,45 €
T013	00253	Steering damper bolt for BMW R25, R25/2 and R25/3	4,60 €	5,47 €
T014	00257	Rubber ring for steering damper bolt for BMW R25-R69S	1,64 €	1,95 €
T015	7051	Steering damper friction plate for BMW R24-R69S	2,86 €	3,40 €
T016	00148	Bushing fork for BMW R24-25/2	9,16 €	10,90 €
T017	00261	Rubber boot fork for BMW R24-R25/2	11,26 €	13,40 €
T018	2000151	Washer for bushing front fork for BMW R25 and R25/2	3,78 €	4,50 €
T019	00160	Fork pinch bolt for BMW R25, R25/2 and R25/3 stainless steel	12,86 €	15,30 €
T021	00166	Fork rubber ring for BMW R24, R25 and R25/2	1,85 €	2,20 €
T023	00182	Steering adjusting nut for BMW R24-R69S	8,32 €	9,90 €
T024	00184	Dust cap steering head for BMW R25-R69S	6,30 €	7,50 €
T028	3025	Steering head bearing set for BMW R25-R69S, tapered	40,34 €	48,00 €
T028a	5590040	Ballbearing set steering head for BMW R24-R69S true to original	40,34 €	48,00 €
T031	00208	Fork leg, lower, R25-25/2, right, used	29,41 €	35,00 €
T032	21031	Fork leg, lower, R25-25/2, left, used	29,41 €	35,00 €
T033	00141	Top fork yoke for BMW R25 and R25/2 used	23,28 €	27,70 €
T034	00114	Steering damper cap for BMW R25-R27 and R51/3-R69S chromed	14,20 €	16,90 €
T035	00045	Steering damper knob for BMW R25-R25/3 and R51/3-R68	32,69 €	38,90 €
T036	00219	Steering damper resistance plate R25-R25/3	15,13 €	18,00 €
T037	00175	Clamp for fork boot R25, R25/2, at the bottom (clamp with screw)	1,26 €	1,50 €
T038	00173	Clamp for fork boot R25, R25/2, at the top (clamp with screw)	1,60 €	1,90 €
T038	9000173	Clamp for air filter rubber for R25/3, R26, R27, R50/5 (clamp with screw)	1,51 €	1,80 €
T039	00223	Fork tube R25, R25/2 used	28,15 €	33,50 €
T040	00213	Lower fork yoke for BMW R25 and R25/2 used	51,13 €	60,84 €
T041	00230	Pressure plate steering damper for BMW R25-R25/3	18,95 €	22,55 €
T043	10055	Brake cable adjusting screw brass	8,91 €	10,60 €
T044	60126	Wheel axle R25, R25/2, front	50,34 €	59,90 €
T045A	4051	Brake lining for BMW R25 and R 25/2	10,00 €	11,90 €
T045B	0098051	Rivet bolts for brake lining, 50 pcs., 8mm long	3,36 €	4,00 €
T047	60134	Brake-shoe spring for BMW R25-R27	2,48 €	2,95 €
T047b	60133	Brake-shoe spring for BMW R20-R24, front	4,79 €	5,70 €
T048	60141	Brake cable holder for BMW R25-R25/2 and R51/3-	2,44 €	2,90 €
T049	31089	Flat washer for wheel axle for BMW R24-R69S stainless steel polished	4,86 €	5,78 €
T051	22094	Nut M 8 x 1, flat for brake key	0,29 €	0,35 €
T052	98388	Nut M14 x 1,5 for wheel axle for BMW R24-R69 stainless steel	1,93 €	2,30 €
T054	60109	Brake lever for BMW R25 und R15/2, front used	16,72 €	19,90 €
T055A	6010024	Brake-shoe set for BMW R24, rear, rebuilt	95,00 €	113,05 €
T055A	6010124	Brake-shoe for BMW R24 in exchange (old brake shoes must be send to us)	20,17 €	24,00 €
T055B	60100	Brake-shoe for BMW R25 and R25/2, rebuilt	29,33 €	34,90 €
T056	77031	Brake anchor plate for BMW R25-R25/2, WITHOUT attachment parts used	43,70 €	52,00 €
T057	60106	Brake spanner for BMW R25-R25/2, front used	7,69 €	9,15 €
T058A	38141	Thrust sleeve for BMW R25, right/left side used	3,57 €	4,25 €
T058B	038142	Thrust sleeve for BMW R25-R25/3 right/left side and for BMW R26, R27, right side	5,84 €	6,95 €
T059	38155	Felt ring for wheel bearing for BMW R25/2-R27 and R50/5-R75/5	2,23 €	2,65 €
T060	38157	Felt ring cap wheel bearing for BMW R25/2-R27 and R50/5-R75/5	2,94 €	3,50 €
T061	38160	Wheel bearing retainer for BMW R25-R25/3, for ball bearing	20,97 €	24,95 €
T062	6203	Bearing camshaft R24-R69S, crankshaft R51/3-R69S, front end, with 17mm cone wheel bearing R25-R25/2, pinion shaft R24, auxiliary shaft /5 4-gear box, crankshaft most front R51/3-R69	6,22 €	7,40 €
T063	15064	Bearing auxiliary shaft for BMW R24-R27 and R50-R69S, front brearing wheel R25-R25/3, front and rear, auxiliary shaft /5 4-gear box	22,65 €	26,95 €
T064	38126	Wheel bearing spacer sleeve R25, R25/2 used	14,62 €	17,40 €
T065	38007	Wheel hub for BMW R25-R25/2 used	142,02 €	169,00 €
T066	72193	Handlebar mounting rubber for BMW R24, R25 and R25/2	1,93 €	2,30 €
T068A	72164	Throttle control unit complete for BMW R25, R25/2 and R25/3	87,94 €	104,65 €
T068B	7216601	Throttle control housing for BMW R25, R25/2 and 25/3	60,42 €	71,90 €
T068C	72165	Throttle control cover for BMW R25, R25/2 und R25/3 Holding holes may need to be adjusted !	12,77 €	15,20 €
T069	72163	Throttle control sliding block for BMW R25, R25/2 and R25/3	12,77 €	15,20 €
T070A	72280	Handlebar riser for BMW R25 and R25/2 with stainless steel screw stainless steel chromed	75,00 €	89,25 €



T071	72190	Handlebar riser cap for BMW R25 and R25/2	6,72 €	8,00 €
T072a	19152	Handle bar rubber for BMW R24-R90S, pair, round	8,82 €	10,50 €
T072b	720850	Handle bar rubber for BMW R24-R90S, pair, round, Magura	12,56 €	14,95 €
T072c	7208501	Handle bar rubber for BMW R24-R90S, right side, round, Magura	7,48 €	8,90 €
T072d	7208502	Handle bar rubber for BMW R24-R90S, left side, round, Magura	7,48 €	8,90 €
T073	72167	Throttle twist tube for BMW R25-R25/3 and R51/3-R68	18,07 €	21,50 €
T074	72109	Clutch lever for BMW R25-R25/3 and R51/3-R68	12,86 €	15,30 €
T075	72132	Brake lever for BMW R25-R25/3 and R51/3-R68	12,86 €	15,30 €
T076	30870	Clutch/brake lever bolt, early version, for BMW R25-R69S	2,23 €	2,65 €
T076A	22174	Clutch/brake lever bolt for BMW R25-R69S stainless steel, polished	8,07 €	9,60 €
T078	23422	Castle nut M10x1 zincd	0,97 €	1,15 €
T079	14020	Mounting screw for handlebar for BMW R25 and R25/2 stainless steel polished	5,80 €	6,90 €
T082	72001	Handlebar for BMW R24 with slot (EMW R35/2, R35/3)	41,93 €	49,90 €
T082A	72027	Handlebar for BMW R25/2 and R25/3, original shape	30,17 €	35,90 €
T082C	94052	Handlebar for side car use, universal, flat 750mm wide, Fehling	38,15 €	45,40 €
T082C	4052	Handlebar for side car use for BMW R26, R27 and R50-R69S, original shape	28,15 €	33,50 €
T082D	72002	Handlebar (touring) medium high 95mm high, 670mm wide	26,05 €	31,00 €
T082E	5052	Handlebar half-high, similar to BMW R50/5, R60/5 and R75/5 145mm high, 765mm wide, Fehling, US-Version	45,13 €	53,70 €
T083	72112	Clutch control unit for BMW R25-R25/3 and R51/3-R68, complete	43,49 €	51,75 €
T083A	0072112	Clutch control housing for BMW R25, R25/2, R25/3 and R51/2-R68	29,41 €	35,00 €
T090	1025	Steering lock for BMW R25, R25/2 and R51/2-R68, long	16,30 €	19,40 €
T091	41036	Tool-wrench 36x41	11,26 €	13,40 €
T100	22031	Fork for BMW R24, R25 and R25/2, without head light ears used	420,17 €	500,00 €
T501A	38109	Spoke R24 front and rear, long, chromed, M3.5 w/nipple	1,18 €	1,40 €
T501AA	038105	Spoke R24 front, short, chromed, M3.5, w/nipple	1,60 €	1,90 €
T501B	38107	Spoke R24 rear, short, chromed, M3.5, w/nipple	1,60 €	1,90 €
T501B	0038107	Spoke R24 front, short, chromed, M3.5, w/nipple	1,26 €	1,50 €
T503A	34592	Spoke R50/5-60/6 front (drum), chromed, M4, w/nipple GS up from 1988 >	1,01 €	1,20 €
T503A	3044	Spoke R25, R25/2 short, chromed, w/nipple M3.5	1,09 €	1,30 €
T503B	2044	Spoke R25, R25/2 long, chromed, M3.5, w/nipple	1,09 €	1,30 €



Group Q: Fork and steering R25/3



<u>Picture-No.</u>	<u>Article-No.</u>	<u>Description</u>	<u>Net</u>	<u>Gross</u>
Q0	22174	Clutch/brake lever bolt for BMW R25-R69S stainless steel, polished	8,07 €	9,60 €
Q0	0098051	Rivet bolts for brake lining, 50 pcs., 8mm long	3,36 €	4,00 €
Q000	04619	Stud screw M 6X25 with pin end	0,29 €	0,35 €
Q000	97003	Tool for wheel bearing nut R25-27	24,12 €	28,70 €
Q001	00101	Counter nut, fork bridge for BMW R25-R69S	5,46 €	6,50 €
Q002	00245	Steering damper lock washer for BMW R25-R69S	8,78 €	10,45 €



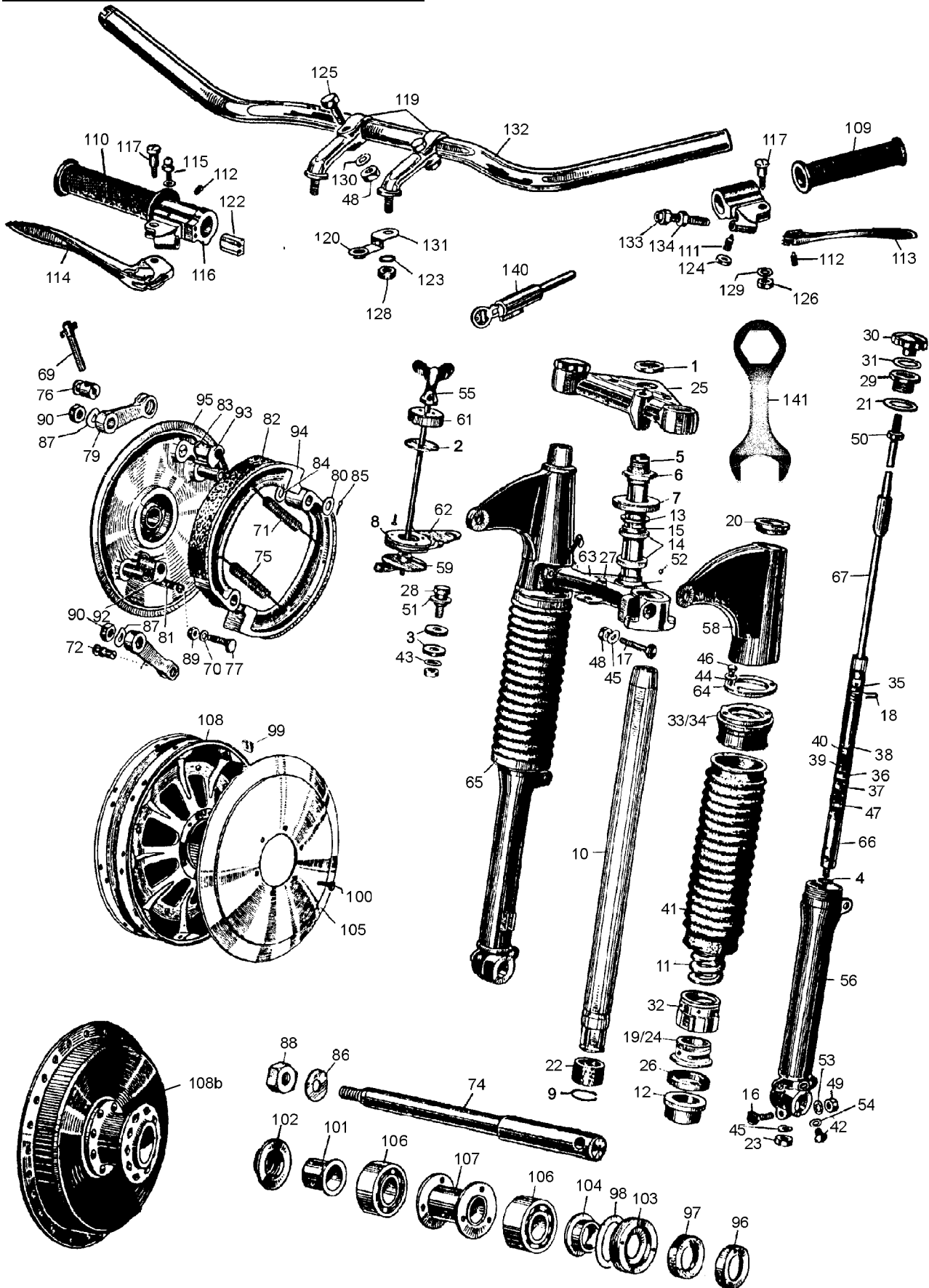
Q003	00253	Steering damper bolt for BMW R25, R25/2 and R25/3	4,60 €	5,47 €
Q004	00257	Rubber ring for steering damper bolt for BMW R25-R69S	1,64 €	1,95 €
Q005	7051	Steering damper friction plate for BMW R24-R69S	2,86 €	3,40 €
Q006	54002	Fork spring for BMW R25/3	23,70 €	28,20 €
Q006A	2054002	Fork spring for BMW R25 and R25/2	20,00 €	23,80 €
Q007	00285	Seal-ring, fork R 25/3	9,20 €	10,95 €
Q008	54128	Fork mounting piece for BMW R25/3	36,89 €	43,90 €
Q008A	48044	Aluminium cap for fork for BMW R25/3	16,30 €	19,40 €
Q009	00182	Steering adjusting nut for BMW R24-R69S	8,32 €	9,90 €
Q010	00107	Axle bolt for BMW R25/3, front stainless steel	12,94 €	15,40 €
Q011	00160	Fork pinch bolt for BMW R25, R25/2 and R25/3 stainless steel	12,86 €	15,30 €
Q014	00290	Fork end lock nut for BMW R25/3	8,00 €	9,52 €
Q015	54140	Gasket ring fork BMW R25/3, R51/2-R68 and R50/5-R75/5 for shock tube, low	0,42 €	0,50 €
Q016	54144	Gasket washer sliding tube for BMW R25/3	1,09 €	1,30 €
Q017	2054148	Nut for lower fork end for BMW R25/3	2,48 €	2,95 €
Q018	00165	Fork rubber ring for BMW R25/3	1,85 €	2,20 €
Q019	54152	Fork stop rubber for BMW R25/3	9,20 €	10,95 €
Q021	2054160	Clamp spring, damper tube, fork for BMW 25/3 and R51/3-R68	5,25 €	6,25 €
Q023	54168	Thrust piece fork damper for BMW R25/3 used	2,97 €	3,53 €
Q027	00282	Fork end for BMW R25/3, left side used	17,90 €	21,30 €
Q028	00278	Brake holder for BMW R25/3 used	31,93 €	38,00 €
Q029	92032	Fork jacket for BMW R25/3, lower polished Aluminum	52,10 €	62,00 €
Q030	00139	Top fork yoke for BMW R25/3 used	33,53 €	39,90 €
Q032	00184	Dust cap steering head for BMW R25-R69S	6,30 €	7,50 €
Q034	3025	Steering head bearing set for BMW R25-R69S, tapered	40,34 €	48,00 €
Q034a	5590040	Ballbearing set steering head for BMW R24-R69S true to original	40,34 €	48,00 €
Q036	45055	Split pin for clutch lever R25-R25/3	0,08 €	0,10 €
Q038	98462	Spring washer B16, DIN137 zincked	0,34 €	0,40 €
Q039	98310	Nut M 5 zincked	0,08 €	0,10 €
Q040	31851	Washer steering damper	0,42 €	0,50 €
Q043	00045	Steering damper knob for BMW R25-R25/3 and R51/3-R68	32,69 €	38,90 €
Q044	00219	Steering damper resistance plate R25-R25/3	15,13 €	18,00 €
Q045	00199	Headlight ear for BMW R25/2 and R25/3, right side black painted (B grade painting)	29,16 €	34,70 €
Q046	00206	Headlight ear for BMW R25/2 and R25/3, left side black painted (B grade painting)	29,16 €	34,70 €
Q048	00214	Lower fork yoke for BMW R25/3 used	51,13 €	60,84 €
Q049	00114	Steering damper cap for BMW R25-R27 and R51/3-R69S chromed	14,20 €	16,90 €
Q050	54184	Fork damper unit for BMW R25/3 used	37,81 €	44,99 €
Q051	00230	Pressure plate steering damper for BMW R25-R25/3	18,95 €	22,55 €
Q052	72031	Fork leg lower, R 25/3, used	65,55 €	78,00 €
Q053	20031	Fork tube R25/3 used	30,67 €	36,50 €
Q055	10055	Brake cable adjusting screw brass	8,91 €	10,60 €
Q056	60127	Wheel axle R25/3, front	50,34 €	59,90 €
Q057a	2051	Brake lining for BMW R25/3, R26 and R27	10,00 €	11,90 €
Q058	60134	Brake-shoe spring for BMW R25-R27	2,48 €	2,95 €
Q058	60239	Brake-shoe spring for BMW R51/3-R69S, front upper	2,48 €	2,95 €
Q059	60111	Brake lever for BMW R25/3, R26 and R27, front used	5,80 €	6,90 €
Q061	60143	Brake cable bolt WITH thread for BMW R25/3-R27 and R51/3-R68 DUPLEX, upper	3,19 €	3,80 €
Q063	04378	Flat washer for wheel axle for R24-R69S zincked	0,38 €	0,45 €
Q063b	31089	Flat washer for wheel axle for BMW R24-R69S stainless steel polished	4,86 €	5,78 €
Q064	98159	Screw M6x30 hexagon	0,15 €	0,18 €
Q065	98323	Nut M 6 zincked	0,13 €	0,15 €
Q066	22155	Nut M14 x 1,5 for wheel axle for BMW R24-R69 zincked	0,76 €	0,90 €
Q068b	60103	Brake-shoe for BMW R25/3, R26 and R27, rebuilt	30,17 €	35,90 €
Q069	79031	Brake anchor plate for BMW R25/3, WITHOUT attachment parts used	75,63 €	90,00 €
Q070	60104	Brake spanner for BMW R25/3, R26 and R27, front used	7,69 €	9,15 €
Q071	038142	Thrust sleeve for BMW R25-R25/3 right/left side and for BMW R26, R27, right side	5,84 €	6,95 €
Q072	38155	Felt ring for wheel bearing for BMW R25/2-R27 and R50/5-R75/5	2,23 €	2,65 €
Q073	38157	Felt ring cap wheel bearing for BMW R25/2-R27 and R50/5-R75/5	2,94 €	3,50 €
Q074	38160	Wheel bearing retainer for BMW R25-R25/3, for ball bearing	20,97 €	24,95 €
Q075	38128	Spacer pipe for wheel bearing for BMW R25/3, inside for ball bearing/needle bearing	13,19 €	15,70 €
Q076	15001	Spoke adaptor square	1,22 €	1,45 €
Q077	38130	Distance sleeve wheel bearing for BMW R25/3, outside for ball bearing/needle bearing	10,50 €	12,50 €
Q078	2065	Bearing wheel for BMW R25/3	23,95 €	28,50 €
Q079A	91004	Hubcap R25/3, chrome-plated	17,23 €	20,50 €
Q079B	91005	Hubcap R25/3, silver painted	12,52 €	14,90 €



Q080	38181	Screw hub-cap chrome-plated	2,10 €	2,50 €
Q081	15064	Bearing auxiliary shaft for BMW R24-R27 and R50-R69S, front brearing wheel R25-R25/3, front and rear, auxiliary shaft /5 4-gear box	22,65 €	26,95 €
Q082	030010	Wheel hub for BMW R25/3 with new bearings and power blasted	178,95 €	212,95 €
Q082	38030	Wheel hub for BMW R25/3, R26 and R27 used without bearings, bushings and spacers, without bearing seat	41,93 €	49,90 €
Q082B	88090	Wheel bearing carrier R25/3-27	45,50 €	54,15 €
Q083	72165	Throttle control cover for BMW R25, R25/2 und R25/3 Holding holes may need to be adjusted !	12,77 €	15,20 €
Q083A	7216601	Throttle control housing for BMW R25, R25/2 and 25/3	60,42 €	71,90 €
Q083A	72167	Throttle twist tube for BMW R25-R25/3 and R51/3-R68	18,07 €	21,50 €
Q084	72163	Throttle control sliding block for BMW R25, R25/2 and R25/3	12,77 €	15,20 €
Q085	72194	Handlebar mounting rubber for BMW R25/3 and R26	2,35 €	2,80 €
Q086	72147	Distance sleeve for handlebar for BMW R25/3 and R26	3,57 €	4,25 €
Q088	72104	Handlebar riser for BMW R25/3, R26 and R27 stainless steel chromed	38,36 €	45,65 €
Q089A	72027	Handlebar for BMW R25/2 and R25/3, original shape	30,17 €	35,90 €
Q089C	94052	Handlebar for side car use, universal, flat 750mm wide, Fehling	38,15 €	45,40 €
Q089C	4052	Handlebar for side car use for BMW R26, R27 and R50-R69S, original shape	28,15 €	33,50 €
Q089D	5052	Handlebar half-high, similar to BMW R50/5, R60/5 and R75/5 145mm high, 765mm wide, Fehling, US-Version	45,13 €	53,70 €
Q089E	72002	Handlebar (touring) medium high 95mm high, 670mm wide	26,05 €	31,00 €
Q090	72145	Mounting screw for handlebar for BMW R25/3 and R26 chromed	9,03 €	10,75 €
Q091a	19152	Handle bar rubber for BMW R24-R90S, pair, round	8,82 €	10,50 €
Q091b	720850	Handle bar rubber for BMW R24-R90S, pair, round, Magura	12,56 €	14,95 €
Q091c	7208501	Handle bar rubber for BMW R24-R90S, right side, round, Magura	7,48 €	8,90 €
Q091d	7208502	Handle bar rubber for BMW R24-R90S, left side, round, Magura	7,48 €	8,90 €
Q093	98154	Stud screw M 6 x 16 with pin	0,34 €	0,40 €
Q094	98130	Stud screw M 5 X 10 with pin end	0,15 €	0,18 €
Q094	98152	Stud screw M 6 x 8 with ball end	0,17 €	0,20 €
Q095	72109	Clutch lever for BMW R25-R25/3 and R51/3-R68	12,86 €	15,30 €
Q096	72132	Brake lever for BMW R25-R25/3 and R51/3-R68	12,86 €	15,30 €
Q097	30870	Clutch/brake lever bolt, early version, for BMW R25-R69S	2,23 €	2,65 €
Q099	1236462	Grommet brake-hose, lower, R 45/65, 80GS also be used for cable management R24-R69S	2,44 €	2,90 €
Q100	0072112	Clutch control housing for BMW R25, R25/2, R25/3 and R51/2-R68	29,41 €	35,00 €
Q101	72164	Throttle control unit complete for BMW R25, R25/2 and R25/3	87,94 €	104,65 €
Q102	72274	Cable connector handlebarholder, R51/2-R68, black	9,20 €	10,95 €
Q103	72112	Clutch control unit for BMW R25-R25/3 and R51/3-R68, complete	43,49 €	51,75 €
Q104	72122	Cable adjustor M6, carb R25-68	2,52 €	3,00 €
Q105	36226	Split pin, cined	0,13 €	0,15 €
Q105a	44136	Split pin for brake rod, stainless steel	0,13 €	0,15 €
Q106	23420	Castle nut M 8x1 zined, fine thread	1,26 €	1,50 €
Q107	317025	Steering lock for BMW R25/3-R27, R50-R69S and R50/5-R100, short	9,92 €	11,80 €
Q108	16009	Fork and toolbox lock assembly R25/3, R50-69S	42,52 €	50,60 €
Q109	5076	Tool box lock R25/3, R50-69S	29,16 €	34,70 €
Q109	41036	Tool-wrench 36x41	11,26 €	13,40 €
Q504	31044	Spoke R25/3, R26 "old", M3.5, chromed, w/nipple	1,85 €	2,20 €
Q505B	6044	Spoke R25/3-R27, R50-R69S M4x140, R50/5- rear, incl. nipple	1,01 €	1,20 €
Q505D	1047	Spoke R25/3-R27, R50-R69S (2x crossed), R50/5-> rear, stainless steel, incl. Nipple	1,22 €	1,45 €



Group R: Fork and steering R51/2-R68



<u>Picture-No.</u>	<u>Article-No.</u>	<u>Description</u>	<u>Net</u>	<u>Gross</u>
R0	22093	Nut M 8 x 1 zincked	0,25 €	0,30 €
R00	8080165	Guide plate cable holder for BMW R25/2 and R51/3-R68 mount on lower fork yoke	14,24 €	16,95 €
R000	4038323	Rim for BMW R51/2-R68, semi-hub, stainless steel polished for 5mm spokes	142,77 €	169,90 €
R000	4038326	Rim for BMW R51/3-R68, full-hub, stainless steel polished for 4mm spokes	134,37 €	159,90 €
R000	04619	Stud screw M 6X25 with pin end	0,29 €	0,35 €
R000	38324	Rim for BMW R51/3-R68, full-hub, chrome for 4mm spokes	100,76 €	119,90 €



R000	38325	Rim for BMW R51/3-R68, full-hub, high shoulder, aluminum for 4mm spokes	201,60 €	239,90 €
R000	97002	Tool for wheel bearing nut R51/2-R69S (also useable for prewar-R51)	24,12 €	28,70 €
R000	3071	Rim for BMW R51/2-R68 semi-hub, chrome for 5mm spokes	100,76 €	119,90 €
R000	9071	Rim for BMW R51/2-R68, semi-hub, black/silver painted for 5mm spokes	155,00 €	184,45 €
R000	5071	Rim for BMW R51/2-R68, semi hub, crude for 5mm spokes	92,35 €	109,90 €
R000	0060211	Bolt brake shoes storage for BMW R51/3, R67/2 and R67/3	6,56 €	7,81 €
R0000	2002151	Fork cover for BMW R51/2-R68, bottom, 2 grooves	22,27 €	26,50 €
R0000	2002150	Fork cover for BMW R51/2-R68, bottom, 3 grooves	22,27 €	26,50 €
R001	00101	Counter nut, fork bridge for BMW R25-R69S	5,46 €	6,50 €
R002	00245	Steering damper lock washer for BMW R25-R69S	8,78 €	10,45 €
R003	00257	Rubber ring for steering damper bolt for BMW R25-R69S	1,64 €	1,95 €
R004	54140	Gasket ring fork BMW R25/3, R51/2-R68 and R50/5-R75/5 for shock tube, low	0,42 €	0,50 €
R006	00182	Steering adjusting nut for BMW R24-R69S	8,32 €	9,90 €
R007	00184	Dust cap steering head for BMW R25-R69S	6,30 €	7,50 €
R008	7051	Steering damper friction plate for BMW R24-R69S	2,86 €	3,40 €
R009	00400	Lock ring fork bushing for BMW BMW R51/3-R68	0,72 €	0,85 €
R00A	8070110	Grommet for Cable holder R25/2, R51/3-R68	2,94 €	3,50 €
R010	00404	Fork tube R51/3-68 chrome plated	193,19 €	229,90 €
R011	04252	Fork spring for BMW R51/2-R68, reinforced	18,49 €	22,00 €
R011a	0042521	Fork spring for BMW R51/2-R68, solo, 5,5mm	19,33 €	23,00 €
R012	00408	Bushing fork for BMW R51/-R68, upper	13,28 €	15,80 €
R014	3025	Steering head bearing set for BMW R25-R69S, tapered	40,34 €	48,00 €
R014a	5590040	Ballbearing set steering head for BMW R24-R69S true to original	40,34 €	48,00 €
R016	54262	Axle bolt for BMW R25-R25/2 and R51/3-R68, front stainless steel, precision-turned	13,78 €	16,40 €
R017	00416	Fork pinch bolt for BMW R51/2-R68	10,88 €	12,95 €
R018	2054160	Clamp spring, damper tube, fork for BMW 25/3 and R51/3-R68	5,25 €	6,25 €
R020	54282	Fork rubber ring for BMW R51/2-R68	2,35 €	2,80 €
R021	054284	Washer for top fork yoke R51/3-R68	7,14 €	8,50 €
R022	00406	Bushing fork for BMW R51/3-R68, lower bronze	19,24 €	22,90 €
R025	00438	Top fork yoke for BMW R51/3-R68 used	83,95 €	99,90 €
R026	00425	Seal-ring, fork 51/2-68	9,20 €	10,95 €
R027	36102	Generator rubber plug R24, R25, R26	0,67 €	0,80 €
R028	00256	Steering damper bolt for BMW R26, R27 and R51/2-R69S	4,87 €	5,80 €
R029	54256	Fork mounting piece for BMW R51/2-R68	14,96 €	17,80 €
R030	89031	Aluminium cap for fork for BMW R51/3-R68	15,88 €	18,90 €
R031	22053	Gasket for aluminium cap top for fork for BMW R51/3-R68	1,05 €	1,25 €
R034	2054289	Fork spring bracket for BMW R51/2-R68, solo version for forkboot	57,98 €	69,00 €
R041	54292	Rubber boot fork for BMW R51/3-R68	15,13 €	18,00 €
R042	16652	Fork oil drain screw M 6x6 allen-head, semicircle for BMW R51/2-R68 stainless steel	1,60 €	1,90 €
R042	16651	Fork oil drain screw M 6 allen-head for BMW R51/3-R68 stainless steel	0,76 €	0,90 €
R042a	9916651	Fork oil drain screw for BMW R51/2-R68, halfround head stainless steel, orig.style	3,36 €	4,00 €
R044	98454	Spring washer B 6, DIN137 zincked	0,05 €	0,06 €
R045	54140	Gasket ring fork BMW R25/3, R51/2-R68 and R50/5-R75/5 for shock tube, low	0,42 €	0,50 €
R046	98157	Screw M6x20 hexagon	0,13 €	0,15 €
R048	98352	Nut M 8 zinked	0,17 €	0,20 €
R048	0098352	Nut M 8, wrench size 14 zincked	1,01 €	1,20 €
R049	99001	Nut M 8 x 1, fine pitch thread stainless steel	0,97 €	1,15 €
R051	31851	Washer steering damper	0,42 €	0,50 €
R054	63037	Gasket ring fork for BMW R51/2-R68 und R80 from year of manufacture 1985, M6 and R45, R65	0,25 €	0,30 €
R055	00045	Steering damper knob for BMW R25-R25/3 and R51/3-R68	32,69 €	38,90 €
R056	54210	Fork leg lower, R51/3-68, used	107,56 €	128,00 €
R057a	02160	Fork jacket for BMW R51/2-R68, top right side, until year of manufacture 09/1952 grounded	48,32 €	57,50 €
R058	02170	Headlight ear for BMW R51/2-R68, right side varnished black	41,51 €	49,40 €
R058a	2002170	Headlight ear for BMW R51/2-R68, left side varnished black	41,51 €	49,40 €
R059	00450	Pressure plate steering damper for BMW R51/2-R68	22,27 €	26,50 €
R061	00114	Steering damper cap for BMW R25-R27 and R51/3-R69S chromed	14,20 €	16,90 €
R062	00447	Steering damper resistance plate R51/3-68	23,19 €	27,60 €
R063	00440	Lower fork yoke for BMW R51/3-R68 used	125,97 €	149,90 €
R064	2054296	Gasket for spring seat fork for BMW R51/3-R68	7,35 €	8,75 €
R064A	2054297	Baseplate for spring seat fork R51/3-R68	7,48 €	8,90 €
R065	9952090	Clamp for gerabox boot for R50-R69S, front solid measure: 90,0mm, original shape	4,12 €	4,90 €
R065	9191191	Clamp for fork boot for R51/3-R68 (clamp with screw)	1,30 €	1,55 €
R065a	2054294	Clamp for fork boot for R51/3-R68 solid measure: 64mm, original-shape, stainless	4,20 €	5,00 €
R067	51268	Fork damper unit for BMW R51/2-R68	151,18 €	179,90 €
R069	10055	Brake cable adjusting screw brass	8,91 €	10,60 €



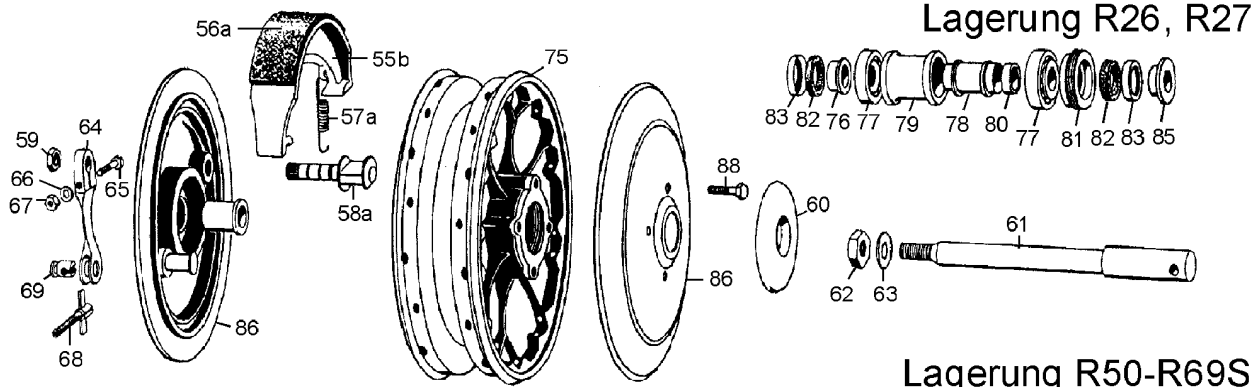
R071	60239	Brake-shoe spring for BMW R51/3-R69S, front upper	2,48 €	2,95 €
R072A	60264	Brake cable bolt for BMW R51/3-R68 SIMPLEX and DUPLEX front lower stainless steel	8,82 €	10,50 €
R074A	60223	Wheel axle R51/3-R68, front chromed	49,54 €	58,95 €
R074B	60222	Wheel axle R51/2, left-hand thread, front stainless steel	60,00 €	71,40 €
R075	60237	Brake-shoe spring for BMW R51/3-R69S, front and rear lower	2,73 €	3,25 €
R076	60143	Brake cable bolt WITH thread for BMW R25/3-R27 and R51/3-R68 DUPLEX, upper	3,19 €	3,80 €
R077	60167	Eccentric bolt Duplex for BMW R51/3, R67, R68, R50-R60/2 and R69S stainless steel	14,20 €	16,90 €
R077a	60277	Eccentric bolt spring Duplex for BMW R51/3-R69S	4,12 €	4,90 €
R079a	60212	Brake lever for BMW R51/2-R68, front upper, duplex used	21,00 €	24,99 €
R079B	60209	Brake lever for BMW R51/2-R68, front, simplex used	10,25 €	12,20 €
R080	2060269	Brake shoe washer for BMW R51/3-R68 and R50-R69S	1,26 €	1,50 €
R082A	5051	Brake lining for BMW R51/2-R68, semi-hub	10,00 €	11,90 €
R082B	3051	Brake lining for BMW R51/3-R68, full-hub	10,00 €	11,90 €
R082c	0008051	Rivet bolts for brake lining, 50 pcs., 10mm long	3,36 €	4,00 €
R083	60211	Brake lever for BMW R51/3-R68, front lower, duplex used	21,00 €	24,99 €
R089	22093	Nut M 8 x 1 zincked	0,25 €	0,30 €
R090	21615	Nut M10 x 1, flat for brake-key and shockabsorber, rear	0,50 €	0,60 €
R092A	60312	Brake spanner for BMW R51/3, R67 and R68, front lower, half hub duplex used	7,69 €	9,15 €
R092B	60310	Brake spanner for BMW R51/3, R67 and R68, front lower, full-hub used	7,69 €	9,15 €
R092C	60205	Brake spanner for BMW R51/3, R67 and R68, front, simplex used	25,50 €	30,35 €
R093	60311	Brake key R51/3, R67, R68 full hub, front, upper used	7,69 €	9,15 €
R093B	60313	Brake spanner for BMW R51/3, R67 and R68, front upper, half hub duplex used	7,69 €	9,15 €
R094B	60200	Brake-shoe Set for BMW R51/2-R68, semi-hub, simplex (Set = 2 pc. for 1 front or rear wheel)	29,33 €	34,90 €
R095A	75031	Brakeanchor plate for BMW R51/3*R68, WITHOUT attachment parts, full-hub used	150,00 €	178,50 €
R095B	76031	Brake anchor plate for BMW R51/2 and R51/3-R68, semi-hub, Simplex complete with break-key and lever, Repro, "without break shoes"	123,02 €	146,39 €
R096	38255	Felt ring cap wheel bearing for BMW R51/3-R69S	3,19 €	3,80 €
R097	38259	Felt ring for wheel bearing for BMW R50-R69S	2,10 €	2,50 €
R098	9231651	Distance washer Wheel-bearing for BMW R51/3-R68, 0,20mm	2,69 €	3,20 €
R098	9231652	Distance washer Wheel-bearing for BMW R51/3-R68, 0,30mm	2,69 €	3,20 €
R098	9231653	Distance washer Wheel-bearing for BMW R51/3-R68, 0,38mm	2,69 €	3,20 €
R098	9231654	Distance washer Wheel-bearing for BMW R51/3-R68, 0,50mm	2,69 €	3,20 €
R098	9231655	Distance washer Wheel-bearing for BMW R51/3-R68, 0,60mm	2,69 €	3,20 €
R098	9231656	Distance washer Wheel-bearing for BMW R51/3-R68, 0,75mm	2,69 €	3,20 €
R098	9231657	Distance washer Wheel-bearing for BMW R51/3-R68, 0,88mm	2,69 €	3,20 €
R098	9231658	Distance washer Wheel-bearing for BMW R51/3-R68, 1,00mm	2,69 €	3,20 €
R099	15001	Spoke adaptor square	1,22 €	1,45 €
R100	38181	Screw hub-cap chrome-plated	2,10 €	2,50 €
R101	38239	Thrust sleeve for BMW R51/3-R68, right side	9,41 €	11,20 €
R102	38240	Thrust sleeve for BMW R51/3-R68, right side, big	7,14 €	8,50 €
R103	38270	Wheel bearing retainer for BMW R51/2-R68, WITH felt-ring and felt	9,20 €	10,95 €
R103A	4038270	Wheel bearing retainer for BMW R51/2-R68 WITHOUT felt-ring and felt stainless steel	22,86 €	27,20 €
R104	38237	Thrust sleeve for BMW R51/3-R68, left side	6,18 €	7,35 €
R105	938274	Hubcap R51/3-68 aluminium	36,64 €	43,60 €
R106	40641	Wheel bearing R51/3-R68	8,15 €	9,70 €
R107	38223	Wheel bearing outer spacer sleeve R51/2-68	12,77 €	15,20 €
R108A	0000313	Wheel-hub, inner part, R51/2-R68, with wheel attachment semi-hub	250,84 €	298,50 €
R108AA	0001077	Wheel-hub, inner part R51/2-R68, with wheel-attachment, full-hub	250,84 €	298,50 €
R108C	38018	Repro wheel R51/2-68	178,95 €	212,95 €
R110	72167	Throttle twist tube for BMW R25-R25/3 and R51/3-R68	18,07 €	21,50 €
R111	98154	Stud screw M 6 x 16 with pin	0,34 €	0,40 €
R112	98130	Stud screw M 5 X 10 with pin end	0,15 €	0,18 €
R112	98152	Stud screw M 6 x 8 with ball end	0,17 €	0,20 €
R113	72109	Clutch lever for BMW R25-R25/3 and R51/3-R68	12,86 €	15,30 €
R114	72132	Brake lever for BMW R25-R25/3 and R51/3-R68	12,86 €	15,30 €
R116A	72388	Throttle control unit complete for BMW R51/2-R67/3	87,90 €	104,60 €
R116B	7216602	Throttle control housing for BMW R51/3, R67 and R68	67,14 €	79,90 €
R116C	72389	Throttle control cover for BMW R51/2-R68	12,77 €	15,20 €
R117	30870	Clutch/brake lever bolt, early version, for BMW R25-R69S	2,23 €	2,65 €
R117A	22174	Clutch/brake lever bolt for BMW R25-R69S stainless steel, polished	8,07 €	9,60 €
R119	72301	Handlebar riser for BMW R51/2-R67/3, (fits also for R68) stainless steel chromed	49,12 €	58,45 €
R119a	7230168	Handlebar riser for BMW R68 stainless steel chromed	75,55 €	89,90 €
R121	72112	Clutch control unit for BMW R25-R25/3 and R51/3-R68, complete	43,49 €	51,75 €
R121A	0072112	Clutch control housing for BMW R25, R25/2, R25/3 and R51/2-R68	29,41 €	35,00 €



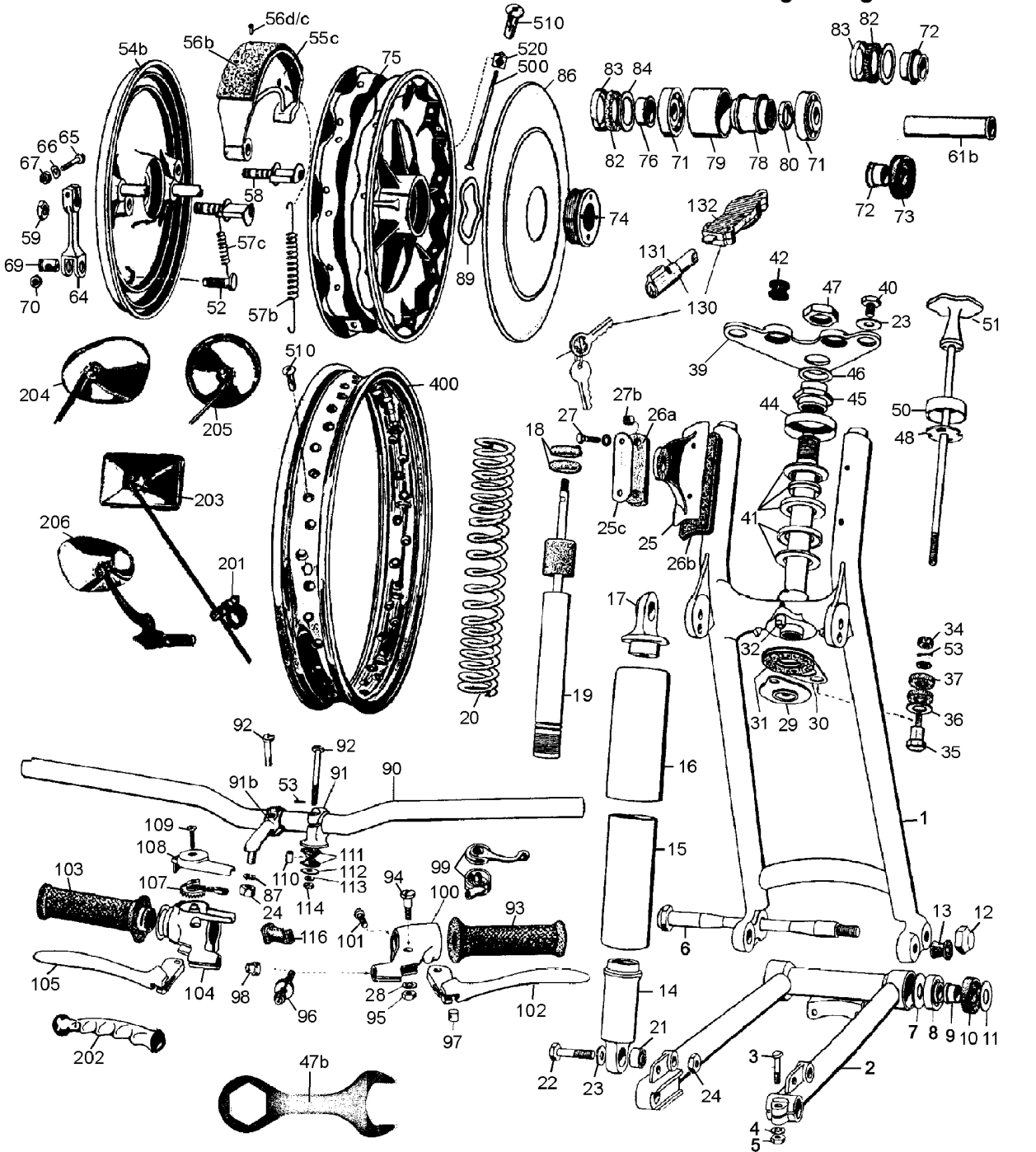
R122	72392	Throttle control sliding block for BMW R51/2-R68	12,77 €	15,20 €
R125A	22081	Mounting screw for handlebar for BMW R51/2-R68 stainless steel	2,52 €	3,00 €
R125B	1402028	Mounting screw for handlebar for BMW R51/2-R68 and R69, short handlebar riser M 8x1 x 28,5, stainless steel polished	5,80 €	6,90 €
R128	22122	Nut M10 x 1 zincked	0,34 €	0,40 €
R132A	0072513	Handlebar for BMW R25 and R51/2-R67/3, original shape	29,33 €	34,90 €
R132C	94052	Handlebar for side car use, universal, flat 750mm wide, Fehling	38,15 €	45,40 €
R132D	72002	Handlebar (touring) medium high 95mm high, 670mm wide	26,05 €	31,00 €
R132E	5052	Handlebar half-high, similar to BMW R50/5, R60/5 and R75/5 145mm high, 765mm wide, Fehling, US-Version	45,13 €	53,70 €
R132EA	72036	Handlebar for BMW R50-R69S, half-high with cross bar 160mm high, 750mm wide, Fehling, US-Version	42,69 €	50,80 €
R133	72122	Cable adjustor M6, carb R25-68	2,52 €	3,00 €
R140	1025	Steering lock for BMW R25, R25/2 and R51/2-R68, long	16,30 €	19,40 €
R141	41036	Tool-wrench 36x41	11,26 €	13,40 €
R502A	38208	Spoke R51/3-R68 alloy hub, thick end, chromed w/nipple	1,93 €	2,30 €
R502B	8044	Spoke R51/3-R68 aluminum hub, chromed, M4 w/nipple	1,01 €	1,20 €
R502C	8045	Spoke R51/3-R68 aluminum hub, stainless steel, M4 w/nipple	1,22 €	1,45 €
R502D	25044	Spoke R51/2-R68 half hub, short, M4, w/nipple	1,01 €	1,20 €
R502E	7044	Spoke R51/2-R68 half hub + sidecar, long, chromed, M4 w/nipple	1,01 €	1,20 €
R502F	5044	Spoke R51/2-R68 half hub, short, thick end, M5 chrome plated, w/out nipple	1,93 €	2,30 €
R502G	4044	Spoke R51/2-R68 half hub, long, thick end, M5 chrome plated, w/out nipple	1,93 €	2,30 €



Group S: Front swing and steering all models 1955-1969, rims, spokes, tires



Lagerung R26, R27



Lagerung R50-R69S

Picture-No.	Article-No.	Description	Net	Gross
S000	72284	Grease port 6mm (standard thread)	1,60 €	1,90 €
S000	97002	Tool for wheel bearing nut R51/2-R69S (also useable for prewar-R51)	24,12 €	28,70 €
S000	97003	Tool for wheel bearing nut R25-27	24,12 €	28,70 €
S000	9960270	Grease port Earles fork R50-R69S, concave	1,60 €	1,90 €
S000	9991001	Hubcap R26/27 silver painted, second Quality	8,40 €	10,00 €



S000	9988001	Hubcap R50-69S, silver painted, second Quality	10,08 €	12,00 €
S000	9988002	Hubcap R50-69S, chrome-plated, second Quality	15,13 €	18,00 €
S001A	73031	Earls fork upper, R26/27 used, approved	251,26 €	299,00 €
S001B	80031	Earls fork upper, R50-69S, used, approved	352,94 €	420,00 €
S002A	82031	Swingarm front R 26/27, used	75,63 €	90,00 €
S002B	81031	Swing arm front R50-69S, used	191,60 €	228,00 €
S003	14062	Axle bolt for BMW R26-R69S, front stainless steel	12,77 €	15,20 €
S005B	99001	Nut M 8 x 1, fine pitch thread stainless steel	0,97 €	1,15 €
S006A	00320	Swing arm axle, zincked R26, R27, R50-R69S	28,91 €	34,40 €
S006B	00321	Swing arm axle, stainless steel R26, R27, R50-R69S	41,93 €	49,90 €
S007	20136	Washer for Earles swing (inner) gearbox inlet R50-R69S	2,44 €	2,90 €
S008	13064	Bearing wheel for BMW R26, R27, R50/5-R100 and R45/R65 until year of manufacture 09/1984 and rocker arm for BMW R26-R69S and R50/5-R100, front and rear	15,88 €	18,90 €
S008	0013064	Bearing wheel for BMW R26, R27 and R50/5-R100, +0,10mm / 0,15mm overmeasure and rocker arm for BMW R26-R69S, front and rear	37,82 €	45,00 €
S009	00324	Thrust sleeve swingarm for BMW R26-R100	5,84 €	6,95 €
S010	00331	Seal-ring, swingarm all	3,19 €	3,80 €
S011A	31198	Distance washer "Earles fork" for BMW R26, R27 and R50-R69S, front, 2,0mm	2,65 €	3,15 €
S011A	31196	Distance washer "Earles fork" for BMW R26, R27 and R50-R69S, front, 1,0mm	2,65 €	3,15 €
S011A	31197	Distance washer "Earles fork" for BMW R26, R27 and R50-R69S, front, 1,5mm	2,65 €	3,15 €
S011B	31199	Distance washer "Earles fork" for BMW R26, R27 and R50-R69S, front, 2,5mm	2,65 €	3,15 €
S011C	31200	Distance washer "Earles fork" for BMW R26, R27 and R50-R69S, front, 3,0mm	2,65 €	3,15 €
S012	00328	Cap nut for swing arm axle for BMW R26, R27 and R50-R69S stainless steel	11,72 €	13,95 €
S013	00332	Earles fork pivot rubber plug	3,19 €	3,80 €
S014	28030	Lower front damper mount R26-R69S	33,53 €	39,90 €
S015	2077	Shock cover for BMW R26-R69S, front lower aluminium	19,16 €	22,80 €
S016	3077	Shock cover for BMW R26-R69S, front upper black painted, aluminium	22,02 €	26,20 €
S017	130031	Shock mount R26, R27, R50-R60/2, R69S, front upper used	15,13 €	18,00 €
S018	54528	Shock absorber stop rubber	1,93 €	2,30 €
S019A	2054032	Shock cartridge R50-69S, front	80,00 €	95,20 €
S019AA	2054031	Shock cartridge R26/27, front	80,00 €	95,20 €
S020	540071	Spring for BMW R26, R27 and R50-R69S, front suspension for sidecar use	14,12 €	16,80 €
S020	54007	Spring for BMW R26, R27 and R50-R69S, front suspension for solo use	14,12 €	16,80 €
S021	46016	Silent bloc shocks R50-69S front, 26/27 front+rear	3,49 €	4,15 €
S022A	13346	Suspension unit locking screw for BMW R26, R27 and R50-R69S, front, upper and for BMW R26 and R27, lower and rear left side, chromed	5,00 €	5,95 €
S022B	14345	Suspension unit locking screw for BMW R26, R27 and R50-R69S, front, upper and for BMW R26 and R27, lower and rear left side, stainless steel	6,64 €	7,90 €
S022C	14347	Suspension unit locking screw for BMW R50-R69S, front, lower stainless steel	6,64 €	7,90 €
S023B	00345	Shock and fork bolt washer, chromeplated stainless	3,32 €	3,95 €
S023Ba	2000345	Shock and fork bolt washer, chromeplated steel	2,10 €	2,50 €
S024A	22122	Nut M10 x 1 zincked	0,34 €	0,40 €
S024B	98365	Nut M10 x 1, fine pitch thread stainless steel	1,26 €	1,50 €
S025A	00306	Headlight ear for BMW R26, R27 and R50-R69S, left side varnished black	28,11 €	33,45 €
S025B	00314	Headlight ear for BMW R26, R27 and R50-R69S, right side varnished black	28,11 €	33,45 €
S025C	00347	Headlight ear mounting sheet for BMW R26, R27 and R50-R69S	2,35 €	2,80 €
S026A	00338	Headlight mount rubber for BMW R26, R27 and R50-R69S, small	5,29 €	6,30 €
S026B	00336	Headlight mount rubber for BMW R26, R27 and R50-R69S, large	6,89 €	8,20 €
S027A	98157	Screw M6x20 hexagon	0,13 €	0,15 €
S027B	00340	Distance sleeve for headlight bracket for BMW R26-R69S	2,94 €	3,50 €
S027C	98160	Screw M 6x20 hexagon stainless	0,25 €	0,30 €
S029	00231	Pressure plate steering damper for BMW R26, R27 and R50-R69S	18,91 €	22,50 €
S030A	00220	Steering damper resistance plate R26/27	14,83 €	17,65 €
S030B	00217	Steering damper resistance plate R50-69S	15,88 €	18,90 €
S031	7051	Steering damper friction plate for BMW R24-R69S	2,86 €	3,40 €
S032	00295	Steering damper bolt Earles fork for BMW R26, R27 and R50-R69S stainless steel	7,23 €	8,60 €
S034	23421	Castle nut M 8 zincked	0,97 €	1,15 €
S035	00256	Steering damper bolt for BMW R26, R27 and R51/2-R69S	4,87 €	5,80 €
S036	31851	Washer steering damper	0,42 €	0,50 €
S037	00257	Rubber ring for steering damper bolt for BMW R25-R69S	1,64 €	1,95 €
S039A	00124	Top fork yoke for BMW R26 new painted	33,53 €	39,90 €
S039B	00129	Top fork yoke for BMW R27	33,53 €	39,90 €
S039C	00349	Top fork yoke for BMW R50-R69S used	21,01 €	25,00 €
S039D	00350	Top fork yoke for BMW R50-R69S fits with /5 handlebar mounts	41,93 €	49,90 €
S039E	00351	Top fork yoke for BMW R50-R69S	33,53 €	39,90 €
S040A	00343	Top fork bolt for BMW R26, R27 and R50-R69S chrome plated	3,95 €	4,70 €
S040B	00344	Top fork bolt for BMW R26, R27 and R50-R69S stainless steel polished	5,63 €	6,70 €



S041	3025	Steering head bearing set for BMW R25-R69S, tapered	40,34 €	48,00 €
S041a	5590040	Ballbearing set steering head for BMW R24-R69S true to original	40,34 €	48,00 €
S042	00299	Rubber plug for upper fork yoke R50-69S	0,97 €	1,15 €
S044	00184	Dust cap steering head for BMW R25-R69S	6,30 €	7,50 €
S045	00182	Steering adjusting nut for BMW R24-R69S	8,32 €	9,90 €
S046	1231200	Spacer washer steering for BMW R26, R27 and R50-R69S - 1,0mm	2,69 €	3,20 €
S046A	31201	Spacer washer steering for BMW R26, R27 and R50-R69S - 1,5mm	2,69 €	3,20 €
S046B	31202	Spacer washer steering for BMW R26, R27 and R50-R69S - 2,0mm	2,69 €	3,20 €
S046C	31203	Spacer washer steering for BMW R26, R27 and R50-R69S - 2,5mm	2,69 €	3,20 €
S046D	31204	Spacer washer steering for BMW R26, R27 and R50-R69S - 3,0mm	2,69 €	3,20 €
S047	00101	Counter nut, fork bridge for BMW R25-R69S	5,46 €	6,50 €
S047B	41036	Tool-wrench 36x41	11,26 €	13,40 €
S048	00245	Steering damper lock washer for BMW R25-R69S	8,78 €	10,45 €
S049	90425	Spacer ring fork steering for BMW /5 fork in old frame	8,32 €	9,90 €
S050	00114	Steering damper cap for BMW R25-R27 and R51/3-R69S chromed	14,20 €	16,90 €
S051	00049	Steering damper knob for BMW R26, R27 and R50-R69S	80,59 €	95,90 €
S051a	2054071	Steering damper hydraulic for BMW R50S and R69S without mounting parts!	107,56 €	128,00 €
S052	60167	Eccentric bolt Duplex for BMW R51/3, R67, R68, R50-R60/2 and R69S stainless steel	14,20 €	16,90 €
S053	36226	Split pin, cined	0,13 €	0,15 €
S053a	44136	Split pin for brake rod, stainless steel	0,13 €	0,15 €
S054A	78031	Brake anchor plate for BMW R26 and R27, WITHOUT attachment parts used	84,03 €	100,00 €
S054B	74031	Brake anchor plate for BMW R50-R69S, WITHOUT attachment parts used	117,56 €	139,90 €
S055A	0060203	Brake-shoe for BMW R50-R69S, front, rebuilt	34,87 €	41,50 €
S055B	60103	Brake-shoe for BMW R25/3, R26 and R27, rebuilt	30,17 €	35,90 €
S055C	60241	Brake-shoe for BMW R50-R69S, rear upper, rebuilt	34,87 €	41,50 €
S055D	6024101	Brake-shoe for BMW R50-R69S, rear lower, rebuilt	34,87 €	41,50 €
S056A	2051	Brake lining for BMW R25/3, R26 and R27	10,00 €	11,90 €
S056B	1051	Brake lining for BMW R50-R69S	10,00 €	11,90 €
S056C	0098051	Rivet bolts for brake lining, 50 pcs., 8mm long	3,36 €	4,00 €
S056D	0008051	Rivet bolts for brake lining, 50 pcs., 10mm long	3,36 €	4,00 €
S057A	60134	Brake-shoe spring for BMW R25-R27	2,48 €	2,95 €
S057B	60237	Brake-shoe spring for BMW R51/3-R69S, front and rear lower	2,73 €	3,25 €
S057C	60277	Eccentric bolt spring Duplex for BMW R51/3-R69S	4,12 €	4,90 €
S057C	60239	Brake-shoe spring for BMW R51/3-R69S, front upper	2,48 €	2,95 €
S058A	60104	Brake spanner for BMW R25/3, R26 and R27, front used	7,69 €	9,15 €
S058B	60207	Brake spanner for BMW R50-R69S, front upper original BMW - REMNANTS!	22,65 €	26,95 €
S058C	60206	Brake spanner for BMW R50-R69S, front lower original BMW - REMNANTS!	25,13 €	29,90 €
S059A	21615	Nut M10 x 1, flat for brake-key and shockabsorber, rear	0,50 €	0,60 €
S059B	22094	Nut M 8 x 1, flat for brake key	0,29 €	0,35 €
S060	9077	Hubcap R26/27, small, silver painted	9,41 €	11,20 €
S060A	60171	Hubcap R26/27, small, chrome-plated	12,52 €	14,90 €
S061A	60227	Wheel axle R26, R27, R50-R69S, front stainless steel polished	50,34 €	59,90 €
S061B	60174	Reducing bush for wheel axle for BMW R50-R69S	19,54 €	23,25 €
S061B	0060227	Wheel axle R26, R27, R50-R69S, front cinked	17,23 €	20,50 €
S061B	2060337	Reducing bush for wheel axle for BMW R50-R69S for telefork BMW R50/5-R75/5	17,86 €	21,25 €
S062a	22155	Nut M14 x 1,5 for wheel axle for BMW R24-R69 zincked	0,76 €	0,90 €
S063a	04378	Flat washer for wheel axle for R24-R69S zincked	0,38 €	0,45 €
S063b	31089	Flat washer for wheel axle for BMW R24-R69S stainless steel polished	4,86 €	5,78 €
S064A	60111	Brake lever for BMW R25/3, R26 and R27, front used	5,80 €	6,90 €
S064B	60210	Brake lever for BMW R50-R69S, front used	27,65 €	32,90 €
S065	98159	Screw M6x30 hexagon	0,15 €	0,18 €
S066	98454	Spring washer B 6, DIN137 zincked	0,05 €	0,06 €
S068	10055	Brake cable adjusting screw brass	8,91 €	10,60 €
S069A	60143	Brake cable bolt WITH thread for BMW R25/3-R27 and R51/3-R68 DUPLEX, upper	3,19 €	3,80 €
S069B	30040	Brake cable bolt WITHOUT thread for BMW R50-R69S and R50/5-R60/6 drum brake, front	7,48 €	8,90 €
S070	60178	Brake cable adjuster for BMW R50-R69S and R50/5-R60/6 drum brake, front	2,69 €	3,20 €
S071	5064	Bearing wheel for BMW R50-R69S	15,88 €	18,90 €
S072A	38230	Thrust sleeve for BMW R50-R69S, left side for wheel bearing with felt ring	9,66 €	11,50 €
S072B	38243	Thrust sleeve for BMW R50-R69S, left side for wheel bearing with shaft sealing ring, stainless steel	10,08 €	12,00 €
S073	56562	Seal-ring, wheel and camshaft R51/3-69S	3,91 €	4,65 €
S074A	38271	Wheel bearing retainer for BMW R50-R69S, for felt-ring Stainless steel	47,23 €	56,20 €
S074B	38272	Wheel bearing retainer for BMW R50-R69S, for seal stainless steel	26,89 €	32,00 €
S074B	9038272	Wheel bearing retainer for BMW R50-R69S, for seal zincked	26,85 €	31,95 €
S075A	38030	Wheel hub for BMW R25/3, R26 and R27 used without bearings, bushings and spacers, without bearing seat	41,93 €	49,90 €



S075AB	030011	Wheel hub for BMW R26 and R27 with new bearings and power blasted	178,95 €	212,95 €
S075B	48001	Wheel hub R50-R69S, new, empty	533,61 €	635,00 €
S075C	00090	Wheel hub repair work	92,02 €	109,50 €
S075D	88090	Wheel bearing carrier R25/3-27	45,50 €	54,15 €
S075E	38198	Drive coupling rear wheel (hub) for BMW R50-R69S	67,10 €	79,85 €
S075F	30015	Drive coupling rear wheel repair for BMW R50-R69S - rebuilding Driver will be charged extra	54,62 €	65,00 €
S075G	2030017	Wheel hub R50-69S, used, empty	378,15 €	450,00 €
S076A	038142	Thrust sleeve for BMW R25-R25/3 right/left side and for BMW R26, R27, right side	5,84 €	6,95 €
S076B	38241	Thrust sleeve for BMW R50-R69S, right side	10,00 €	11,90 €
S077	13064	Bearing wheel for BMW R26, R27, R50/5-R100 and R45/R65 until year of manufacture 09/1984 and rocker arm for BMW R26-R69S and R50/5-R100, front and rear	15,88 €	18,90 €
S077	0013064	Bearing wheel for BMW R26, R27 and R50/5-R100, +0,10mm / 0,15mm overmeasure and rocker arm for BMW R26-R69S, front and rear	37,82 €	45,00 €
S078A	38127	Wheel bearing inner spacer tube R25/3-27	9,20 €	10,95 €
S078B	38225	Wheel bearing inner spacer tube R50-69S	13,70 €	16,30 €
S079A	38131	Wheel bearing outer spacer sleeve R25/3-27	9,20 €	10,95 €
S079B	38229	Wheel bearing outer spacer sleeve R50-69S	12,69 €	15,10 €
S080A	31241	Wheel bearing spacer ring for R25/3-R27 and R50/5-R100RT, 6.75mm	2,94 €	3,50 €
S080A	31240	Wheel bearing spacer ring for R25/3-R27 and R50/5-R100RT, 6.65mm	2,94 €	3,50 €
S080A	30782	Wheel bearing spacer ring for R25/3-R27 and R50/5-R100RT, 6.35mm	2,94 €	3,50 €
S080A	30783	Wheel bearing spacer ring for R25/3-R27 and R50/5-R100RT, 6.40mm	2,94 €	3,50 €
S080A	30784	Wheel bearing spacer ring for R25/3-R27 and R50/5-R100RT, 6.45mm	2,94 €	3,50 €
S080A	30785	Wheel bearing spacer ring for R25/3-R27 and R50/5-R100RT, 6.50mm	2,94 €	3,50 €
S080A	30786	Wheel bearing spacer ring 6.55mm /5 + singles	2,94 €	3,50 €
S080A	30787	Wheel bearing spacer ring for R25/3-R27 and R50/5-R100RT, 6.60mm	2,94 €	3,50 €
S080A	30789	Wheel bearing spacer ring for R25/3-R27 and R50/5-R100RT, 6.80mm	2,94 €	3,50 €
S080A	31242	Wheel bearing spacer ring for R25/3-R27 and R50/5-R100RT, 6.85mm	2,94 €	3,50 €
S080A	31243	Wheel bearing spacer ring for R25/3-R27 and R50/5-R100RT, 6.90mm	2,94 €	3,50 €
S080A	31244	Wheel bearing spacer ring for R25/3-R27 and R50/5-R100RT, 6.95mm	2,94 €	3,50 €
S080A	31245	Wheel bearing spacer ring for R25/3-R27 and R50/5-R100RT, 7.00mm	2,94 €	3,50 €
S080A	31246	Wheel bearing spacer ring for R25/3-R27 and R50/5-R100RT, 7.05mm	2,94 €	3,50 €
S080A	31248	Wheel bearing spacer ring for R25/3-R27 and R50/5-R100RT, 7.15mm	2,94 €	3,50 €
S080A	31249	Wheel bearing spacer ring for R25/3-R27 and R50/5-R100RT, 7,20mm	2,94 €	3,50 €
S080A	30781	Wheel bearing spacer ring for R25/3-R27 and R50/5-R100RT, 6.30mm	2,94 €	3,50 €
S080B	38338	Wheel bearing spacer ring for BMW R50-R69S, 7.40mm	2,73 €	3,25 €
S080B	38331	Wheel bearing spacer ring for BMW R50-R69S, 7.05mm	2,52 €	3,00 €
S080B	38332	Wheel bearing spacer ring for BMW R50-R69S, 7.10mm	2,52 €	3,00 €
S080B	38333	Wheel bearing spacer for BMW R50-R69S, 7.15mm	2,52 €	3,00 €
S080B	38334	Wheel bearing spacer ring for BMW R50-R69S, 7.2mm	2,52 €	3,00 €
S080B	38335	Wheel bearing spacer ring for BMW R50-R69S, 7.25mm	2,52 €	3,00 €
S080B	38336	Wheel bearing spacer ring for BMW R50-R69S, 7.30mm	2,52 €	3,00 €
S080B	38337	Wheel bearing spacer ring for BMW R50-R69S, 7.35mm	2,52 €	3,00 €
S080B	38330	Wheel bearing spacer ring for BMW R50-R69S, 7.00mm	2,52 €	3,00 €
S081B	38162	Wheel bearing retainer for BMW R26 and R27 and R25/3 (ONLY 1955), for taper roller bearing zincked	9,71 €	11,55 €
S081C	38161	Wheel bearing retainer for BMW R26 and R27 and R25/3 (ONLY 1955), for taper roller bearing stainless steel	22,44 €	26,70 €
S082A	38155	Felt ring for wheel bearing for BMW R25/2-R27 and R50/5-R75/5	2,23 €	2,65 €
S082B	38259	Felt ring for wheel bearing for BMW R50-R69S	2,10 €	2,50 €
S082C	38156	Felt ring for wheel bearing nut for BMW R50-R69S	2,27 €	2,70 €
S083A	38157	Felt ring cap wheel bearing for BMW R25/2-R27 and R50/5-R75/5	2,94 €	3,50 €
S083B	38255	Felt ring cap wheel bearing for BMW R51/3-R69S	3,19 €	3,80 €
S084	38267	Wheel bearing cover disc R50-69S	1,60 €	1,90 €
S085	038143	Thrust sleeve for BMW R26 and R27, left side	7,98 €	9,50 €
S086A	91002	Hubcap for R26-R27, chrome-plated	18,49 €	22,00 €
S086B	91001	Hubcap R26/27 silver painted	13,44 €	15,99 €
S086C	88002	Hubcap R50-69S, chrome-plated	21,85 €	26,00 €
S086D	88001	Hubcap R50-69S, silver painted	15,13 €	18,00 €
S087	22083	Spring washer B10, DIN137A zincked	0,17 €	0,20 €
S088	38181	Screw hub-cap chrome-plated	2,10 €	2,50 €
S088B	38182	Screw hub-cap stainless	5,00 €	5,95 €
S089	38263	Lock washer for hubcap for BMW R50-R69S	1,89 €	2,25 €
S090B	94052	Handlebar for side car use, universal, flat 750mm wide, Fehling	38,15 €	45,40 €
S090B	4052	Handlebar for side car use for BMW R26, R27 and R50-R69S, original shape	28,15 €	33,50 €
S090C	72002	Handlebar (touring) medium high 95mm high, 670mm wide	26,05 €	31,00 €
S090D	5052	Handlebar half-high, similar to BMW R50/5, R60/5 and R75/5 145mm high, 765mm wide, Fehling, US-Version	45,13 €	53,70 €



S090DA	72036	Handlebar for BMW R50-R69S, half-high with cross bar 160mm high, 750mm wide, Fehling, US-Version	42,69 €	50,80 €
S090E	72129	Handlebar for BMW R26, R27 and R50-R69S, original shape	28,15 €	33,50 €
S090F	3062	Handlebar, LN A 200mm high, 800mm wide, Fehling, REMNANTS	30,17 €	35,90 €
S090G	3063	Handlebar, LN B 250mm high, 830mm wide, Fehling	40,25 €	47,90 €
S091	72104	Handlebar riser for BMW R25/3, R26 and R27 stainless steel chromed	38,36 €	45,65 €
S091B	72306	Handlebar riser for BMW R50-R69S stainless steel	42,86 €	51,00 €
S092A	72145	Mounting screw for handlebar for BMW R25/3 and R26 chromed	9,03 €	10,75 €
S092B	72146	Mounting screw for handlebar for BMW R27 chromed	8,57 €	10,20 €
S092C	72288	Mounting screw for handlebar for BMW R50-R69S chromed	15,29 €	18,20 €
S092D	98351	Nut M 8 x 1, self-locking (lock nut) zincked	0,42 €	0,50 €
S093a	19152	Handle bar rubber for BMW R24-R90S, pair, round	8,82 €	10,50 €
S093b	720850	Handle bar rubber for BMW R24-R90S, pair, round, Magura	12,56 €	14,95 €
S093c	7208501	Handle bar rubber for BMW R24-R90S, right side, round, Magura	7,48 €	8,90 €
S093d	7208502	Handle bar rubber for BMW R24-R90S, left side, round, Magura	7,48 €	8,90 €
S094A	30870	Clutch/brake lever bolt, early version, for BMW R25-R69S	2,23 €	2,65 €
S094B	38380	Clutch/brake lever bolt "new" version for BMW R50/5-R100	3,28 €	3,90 €
S094B	22174	Clutch/brake lever bolt for BMW R25-R69S stainless steel, polished	8,07 €	9,60 €
S096	39177	Throttle adjusting screw M 7 for BMW R26 and R27	2,02 €	2,40 €
S096A	72221	Cable adjusting screw M 7 for R26-R27, R50-R69S	2,48 €	2,95 €
S096B	30876	Cable adjustor R50/5-R100, without slot R50/5-R75/5	6,68 €	7,95 €
S096C	30878	Cable adjustor M10x1, with slot R60/6-R100	6,68 €	7,95 €
S097	11440	Nipple adaptor for BMW R26-R69S and for BMW R50/5-R100 on lever	5,46 €	6,50 €
S097B	30404	Nipple adaptor for BMW R25-R69S, Ø 8mm	4,12 €	4,90 €
S098	30877	Cable adaptor R50/5-R100	3,28 €	3,90 €
S099	72371	Choke lever for 1 cable, black	26,47 €	31,50 €
S099a	72361	Ignition retard lever for BMW R51/2 and R68 complete	55,38 €	65,90 €
S100A	32980	Clutch control unit for BMW R50/5-R90S until year of manufacture 09/1974	111,43 €	132,60 €
S101	72219	Clamp screw, control housing for BMW R26, R27, R50-R69S and R50/5-R75/5	0,42 €	0,50 €
S102A	72225	Clutch lever for BMW R26, R27 and R50-R69S, pointed old version with wide intake	12,86 €	15,30 €
S102B	72254	Clutch lever for BMW R26, R27 and R50-R69S, pointed new version with narrow intake	12,86 €	15,30 €
S102C	72226	Clutch lever for BMW R26, R27 and R50-R69S, ball end	12,86 €	15,30 €
S103	72153	Throttle twist tube for BMW R26, R27 and R50-R69S and for BMW R50/5-R90S until year of manufacture 08/1974, steel	25,80 €	30,70 €
S104	72223	Wedge for Magura throttle/clutch assy for BMW R26, R27, R50-R69S and R50/5-R90S	4,16 €	4,95 €
S104A	1232981	Throttle control unit for BMW R50/5-R90S, until year of manufacture 08/1974	147,65 €	175,70 €
S104B	25600	Throttle control unit "Sport", radial, 1 cable, 46mm stroke aluminum	76,89 €	91,50 €
S105A	72253	Brake lever for BMW R26, R27 and R50-R69S, blade typ old version, (wide)	12,86 €	15,30 €
S105B	72252	Brake lever for BMW R26, R27 and R50-R69S, ball type	12,86 €	15,30 €
S105C	11130	Brake control assembly, universal, Magura REMNANTS	32,69 €	38,90 €
S107	1232463	Throttle cam for BMW R50/5-R90S until year of manufacture 09/1974 brass	45,63 €	54,30 €
S107A	72265	Throttle cam for BMW R26 and R27 brass	41,35 €	49,21 €
S107B	72384	Throttle cam for BMW R50-R69S, brass	45,63 €	54,30 €
S108A	31461	Throttle control cover for BMW R50-R69S used	15,13 €	18,00 €
S109	32668	Screw for throttle cover R26-R100 ->81 REMNANTS	6,05 €	7,20 €
S109a	72259	Screw for throttle cover R26-R100 up to 1981 stainless steel polished	4,62 €	5,50 €
S110	72147	Distance sleeve for handlebar for BMW R25/3 and R26	3,57 €	4,25 €
S110a	34227	Distance ring engine for BMW R51/3-R69S and handle bar for BMW R27	3,28 €	3,90 €
S111	72194	Handlebar mounting rubber for BMW R25/3 and R26	2,35 €	2,80 €
S113	98415	Large diameter washer, 8,4 x 24mm	0,13 €	0,15 €
S113	98432	Lock washer A 8, Form B zincked	0,08 €	0,10 €
S114	23420	Castle nut M 8x1 zincked, fine thread	1,26 €	1,50 €
S116A	42495	Grommet for throttle cabel on handle bar, 1 cable, for BMW R26 and R27	2,94 €	3,50 €
S116B	30037	Grommet for throttle cabel on handle bar, 2 cables for BMW R50/5-R100RT	2,69 €	3,20 €
S130	16009	Fork and toolbox lock assembly R25/3, R50-69S	42,52 €	50,60 €
S131	317025	Steering lock for BMW R25/3-R27, R50-R69S and R50/5-R100, short	9,92 €	11,80 €
S132	5076	Tool box lock R25/3, R50-69S	29,16 €	34,70 €
S201	2035	Clamp for rear mirror diameter rod 10mm	1,93 €	2,30 €
S202	2043	Rubber sleeve for lever, ball-end black	1,81 €	2,15 €
S203	1039	Rear Mirror for BMW, rectangular, with clamp for handlebar fits on both sides (1 piece)	14,28 €	16,99 €
S204A	3039	Rear Mirror for BMW, oval, with clamp, left side	13,44 €	15,99 €
S204B	3040	Rear Mirror for BMW, oval, with clamp, right side	13,44 €	15,99 €
S205A	4039	Rear Mirror for BMW, round, with clamp, left + right side stainless steel head	13,44 €	15,99 €
S205B	2014039	Rear Mirror for BMW, round, with clamp, left + right side one pair (2 mirrors) – universal	18,40 €	21,90 €
S206A	6039	Rear Mirror for BMW, oval, for bar end mounting, left side	18,49 €	22,00 €



S206A	0006039	Rear Mirror for BMW, oval, for bar end mounting, right side	18,49 €	22,00 €
S206B	6040	Rear Mirror for BMW, round, for bar end mounting, left side	18,49 €	22,00 €
S206C	0006041	Rear Mirror for BMW, round, for bar end mounting, right side	18,49 €	22,00 €
S207A	112520	Rear Mirror "Albert", left side	38,15 €	45,40 €
S207B	112521	Rear Mirror "Albert", right side	38,15 €	45,40 €
S301A	3055	Brake cable for BMW R24-R27 and R51/2-R67	7,14 €	8,50 €
S301AA	30551	Brake cable for BMW R24-R27 and R51/2-R67, 15cm longer for high or wide bars	7,14 €	8,50 €
S301AB	30552	Brake cable for BMW R24-R27 and R51/2-R67, 30cm longer for very high or very wide bars	7,14 €	8,50 €
S301AC	3411841	Brake cable for BMW R51/3-R68 DUPLEX from year of manufacture 1953	7,14 €	8,50 €
S301B	5055	Brake cable for BMW R50-R69S	6,81 €	8,10 €
S301C	50552	Brake cable for BMW R50-R69S, 15cm longer for high or wide bars	7,14 €	8,50 €
S301D	5055230	Brake cable for BMW R50-R69S, 30cm longer for very high or very wide bars	9,16 €	10,90 €
S302A	7055	Throttle cable for BMW R25, R25/2, R26 and R27	4,37 €	5,20 €
S302AB	70551	Throttle cable Blitz-carburator for BMW R26 and R27	4,37 €	5,20 €
S302AC	70552	Throttle cable Blitz-carburator for BMW R25, R25/2 and R25/3	4,37 €	5,20 €
S302AC	7056	Throttle cable for BMW R25, R25/2, R26 und R27, 15cm longer for high or wide bars	5,80 €	6,90 €
S302B	7054	Throttle cable for BMW R25/3	5,67 €	6,75 €
S302BB	7053	Throttle cable for BMW R25/3, 15cm longer for high or wide bars	5,80 €	6,90 €
S302C	72355	Throttle cable for BMW R51/2-R68	5,00 €	5,95 €
S302CB	72356	Throttle cable for BMW R51/2-R68, 15cm longer for high or wide bars	5,46 €	6,50 €
S302CC	72357	Throttle cable for BMW R51/2-R68, 30cm longer for very high bars	5,80 €	6,90 €
S302D	72348	Throttle cable for BMW R50-R69S, R50/5-R60/7 and R90S	4,96 €	5,90 €
S302DB	72349	Throttle cable for BMW R50-R69S, R50/5-R60/7 and R90S, 15cm longer for high or wide bars	4,96 €	5,90 €
S302DC	72350	Throttle cable for BMW R50-R69S, R50/5-R60/7 and R90S, 30cm longer for very high bars	4,96 €	5,90 €
S303A	72215	Clutch cable for BMW R25-R69S	6,30 €	7,50 €
S303B	72216	Clutch cable for BMW R25-R69S, 15cm longer for high or wide bars	6,51 €	7,75 €
S303C	72217	Clutch cable for BMW R25-R69S, 30cm longer for very high bars	7,52 €	8,95 €
S303D	70233	Gripper clamp, crossbar for BMW R24-R69S stainless steel	6,05 €	7,20 €
S400A	7071	Rim for BMW R25 and R25/2 Chrome	109,16 €	129,90 €
S400B	8071	Rim for BMW R25 and R25/2 black/silver painted	159,62 €	189,95 €
S400C	4038114	Rim for BMW R25 and R25/2 stainless steel polished	142,77 €	169,90 €
S400D	2071	Rim for BMW R25/3, R26 and R27 chrome	91,60 €	109,00 €
S400DA	4038116	Rim for BMW R25/3, R26 and R27 stainless steel polished	142,77 €	169,90 €
S400E	1071	Rim for BMW R50-R69S, TOP chrome quality for M4x140mm spokes (double crossed)	142,77 €	169,90 €
S400EA	38217	Rim for BMW R50, R60, R69 and R69S, TOP chrome quality for M4x116mm spokes (single crossed)	142,02 €	169,00 €
S400EB	38212	Rim for BMW R50, R60 and R69, high shoulder, aluminium polished for M4x116mm spokes (single crossed)	201,60 €	239,90 €
S400EC	038217	Rim für BMW R50-R69S, stainless steel polished for M4x140mm spokes (double crossed)	159,58 €	189,90 €
S400ED	4038220	Rim for BMW R50-R69S, motorcycle rear, Chrom, size 2.50x18 for M4x140mm spokes (for sidecar-use)	184,79 €	219,90 €
S400EE	4038217	Rim for BMW R50, R60, R69 and R69S, stainless steel polished for M4x116mm spokes (single crossed)	159,58 €	189,90 €
S400EF	38211	Rim for BMW R50-R69S, high shoulder, aluminium polished for M4x140mm spokes (double crossed)	201,60 €	239,90 €
S400F	38116	Rim for BMW R25/3, R26 and R27, high shoulder aluminium polished	184,79 €	219,90 €
S400G	3071	Rim for BMW R51/2-R68 semi-hub, chrome for 5mm spokes	100,76 €	119,90 €
S400GA	9071	Rim for BMW R51/2-R68, semi-hub, black/silver painted for 5mm spokes	155,00 €	184,45 €
S400GB	38324	Rim for BMW R51/3-R68, full-hub, chrome for 4mm spokes	100,76 €	119,90 €
S400H	5071	Rim for BMW R51/2-R68, semi hub, crude for 5mm spokes	92,35 €	109,90 €
S400I	38325	Rim for BMW R51/3-R68, full-hub, high shoulder, aluminum for 4mm spokes	201,60 €	239,90 €
S500	6044	Spoke R25/3-R27, R50-R69S M4x140, R50/5- rear, incl. nipple	1,01 €	1,20 €
S500	38226	Spoke R50-R69S single crossed, stainless steel, M4 w/nipple	1,22 €	1,45 €
S500	21044	Spoke R50-R69S single crossed, chromed, M4x116 w/nipple	1,01 €	1,20 €
S500	1047	Spoke R25/3-R27, R50-R69S (2x crossed), R50/5-> rear, stainless steel, incl. Nipple	1,22 €	1,45 €
S500A	99100	Spoking and centering job, wheel	80,00 €	95,20 €
S501	38107	Spoke R24 rear, short, chromed, M3.5, w/nipple	1,60 €	1,90 €
S501	038105	Spoke R24 front, short, chromed, M3.5, w/nipple	1,60 €	1,90 €
S501	0038107	Spoke R24 front, short, chromed, M3.5, w/nipple	1,26 €	1,50 €
S502A	38208	Spoke R51/3-R68 alloy hub, thick end, chromed w/nipple	1,93 €	2,30 €
S502B	8044	Spoke R51/3-R68 aluminum hub, chromed, M4 w/nipple	1,01 €	1,20 €
S502C	8045	Spoke R51/3-R68 aluminum hub, stainless steel, M4 w/nipple	1,22 €	1,45 €
S502D	25044	Spoke R51/2-R68 half hub, short, M4, w/nipple	1,01 €	1,20 €
S502F	5044	Spoke R51/2-R68 half hub, short, thick end, M5 chrome plated, w/out nipple	1,93 €	2,30 €



S502G	4044	Spoke R51/2-R68 half hub, long, thick end, M5 chrome plated, w/out nipple	1,93 €	2,30 €
S504	31044	Spoke R25/3, R26 "old", M3.5, chromed, w/nipple	1,85 €	2,20 €
S510A	30065	Nipple M 3.5	0,38 €	0,45 €
S510B	30070	Nipple M4	0,34 €	0,40 €
S510Bb	0030070	Nipple M4, stainless steel	0,42 €	0,50 €
S510C	30071	Nipple M5	0,67 €	0,80 €
S520	15001	Spoke adaptor square	1,22 €	1,45 €
S521	97001	Tool for spokes, chrome vanadium suitable for most nipples M3 - M3.5 - M4 - M4.5	10,84 €	12,90 €
S521	9700101	Tool for spokes suitable for most nipples M3.5 - M4 - M4.5 - M5	9,66 €	11,50 €
S601	1040	Rim tape - Tube protection rubber suitable for 16 - 21 inch	2,35 €	2,80 €
S602A	2040	Tire air tube 3,25/3.50-18	9,92 €	11,80 €
S602B	20402	Tire air tube 3.25/3.50/4.00-19	9,92 €	11,80 €
S602C	20401	Tire air tube 4.00-18	11,35 €	13,50 €
S602E	20405	Tire air tube 3.25, 3.50-17, Michelin	15,08 €	17,95 €
S602E	2040421	Tire air tube 3.00-19	11,68 €	13,90 €
S610A	232518	Tyre 3.25-18 "house-brand" block profile	44,45 €	52,90 €
S610B	233518	Tire 3.25S18 Heidenau K34	79,75 €	94,90 €
S611A	240019	Tire 3.25H19 Heidenau K34	73,95 €	88,00 €
S611C	732519	Tyre 3.25-19 "house-brand" block profile	50,34 €	59,90 €
S612	130019	Tire 3.00-19 Mitas H-01 (R24)	41,93 €	49,90 €
S612A	150019	Tire 3.00-19 Block C Metzeler	83,95 €	99,90 €
S612A	132519	Tire 3.50S19 Avon AM6 Speedmaster groove profile	83,99 €	99,95 €
S612B	232519	Tire 3.25S19 ME11 Metzeler	113,36 €	134,90 €
S613A	135018	Tyre 3.50-18 "house-brand", block profile	50,97 €	60,65 €
S613B	635018	Tire 3.50S18 Metzeler block c	92,35 €	109,90 €
S613C	435018	Tyre 3.50S18 Heidenau K34	75,59 €	89,95 €
S614B	235019	Tyre 3.50-19 "house-brand", block profile	58,74 €	69,90 €
S614C	335019	Tire 3.50-19 Avon Sidecar	92,35 €	109,90 €
S615A	335018	Tire Metzeler 3.50S18 ME77	83,95 €	99,90 €
S615B	535018	Tire Metzeler 3.50S18 ME77 front	79,75 €	94,90 €
S616A	140018	Tire 4.00-18 Block K Metzeler	109,16 €	129,90 €
S616B	640018	Tyre 4.00-18 "house-brand"	58,74 €	69,90 €
S616C	740018	Tire 4.00H18 ME Block C66 Metzeler	109,16 €	129,90 €
S616C	0112018	Tire 4.00H18 Heidenau K36	104,96 €	124,90 €
S617A	540018	Tire 4.00S18 H-06, Mitas	67,14 €	79,90 €
S617C	6440018	Tire Metzeler 4.00V18 Lasertec rear	155,38 €	184,90 €
S618	832519	Tire 3.25H19 ME33 Laser Metzeler	117,56 €	139,90 €
S618A	140019	Tire 4.00-19 Mitas H-02	71,43 €	85,00 €



<u>Picture-No.</u>	<u>Article-No.</u>	<u>Description</u>	<u>Net</u>	<u>Gross</u>
F00	1303017	Fuel hose quick-connector, Ø 7,5mm	7,52 €	8,95 €
F00	1403017	Fuel hose quick-connector, Ø 9mm NOT for BMW-oldtimer-motorcycle	7,52 €	8,95 €
F000	4634260	Foot rest driver for BMW R51/2-R68 and R50-R69S, right side, long	25,13 €	29,90 €
F000	03017	Fuel hose tube	0,42 €	0,50 €
F000	4634125	Foot rest driver for BMW R51/2-R68 and R50-R69S, left side, short	25,13 €	29,90 €
F000	80007	Pet cock locking ring for BMW R25-R69S	0,21 €	0,25 €
F000	70134	Cable clamp, tail light cable for BMW R25	0,17 €	0,20 €
F000	9024160	Crash bar R51/3-R68 "Hoskelike" stainless polished complete with mounting parts	117,56 €	139,90 €
F000	9988011	Hollow bolt fuel cock, M10x1 hose connector "Frankfurter Hahn"	4,12 €	4,90 €
F001	07161	Lock ring for tool box screw	0,29 €	0,35 €
F002	28130	Center stand bushing for BMW R25-R27 hardened	4,24 €	5,05 €
F003	28116	Center stand spring R25/2	4,54 €	5,40 €
F003A	28118	Center stand spring R25/2 (middle mount) R25/3-R27	2,98 €	3,55 €
F003B	28216	Center stand spring R51/2-R68	3,36 €	4,00 €
F003C	28103	Flat spring for center stand for BMW R24 and R25	15,04 €	17,90 €
F004	28135	Center stand and swing arm bumper, kickstart lever R27	2,35 €	2,80 €
F005	63073	Gasket ring toolbox screw, M10x14x1.5	0,17 €	0,20 €
F006	63108	O-ring tool box lock screw	0,34 €	0,40 €
F007A	14665	Screw center stand R25-R27	1,47 €	1,75 €
F007B	28266	Center stand screw R51/2 M10x110	1,64 €	1,95 €
F007C	28262	Bolt center stand for BMW R51/2-R68 with 2 washers bushing and splint, Nirosta	10,08 €	12,00 €
F009A	4080	Center stand for BMW R25/3	99,16 €	118,00 €
F009B	1080	Center stand for BMW R51/2-R68, narrow version also for pre-war models BMW R51-R71	92,31 €	109,85 €
F009Ba	0006604	Center stand for BMW R51/3-R68, wide version	96,60 €	114,95 €
F009C	28004	Center stand for BMW R25	92,31 €	109,85 €
F009D	28010	Center stand for BMW R25/2, for sidewise spring	101,26 €	120,50 €
F009DA	28011	Center stand for BMW R25/2, for middle spring	100,42 €	119,50 €
F010	44003	Link, foot brake pedal for BMW R25, R25/2 and R25/3 used	5,04 €	6,00 €
F010B	44250	Link, foot brake pedal for BMW R51/3-R68	15,04 €	17,90 €
F011	44125	Spring for foot brake pedal for BMW R25, R25/2 und R25/3	7,52 €	8,95 €
F011A	44218	Spring for foot brake pedal for BMW R51/2-R68	5,80 €	6,90 €
F012A	40395	Brake rod bolt for BMW R26-R27 and R50-R69S, 8mm stainless steel polished	4,35 €	5,18 €
F012B	34961	Brake rod bolt with lock spring, 6x12mm	2,44 €	2,90 €
F012C	044129	Brake rod bolt for BMW R25-R25/3 and R51/2-R68, 8mm stainless steel polished	4,96 €	5,90 €
F012C	36226	Split pin, cined	0,13 €	0,15 €
F012Ca	44136	Split pin for brake rod, stainless steel	0,13 €	0,15 €
F013	44133	Brake rod ring, vaulted stainless steel polished	3,83 €	4,56 €
F014a	4044115	Wing nut for brake rod for BMW R25-R69S stainless steel chromed	10,84 €	12,90 €
F015	44138	Brake rod spring stainless steel polished	3,49 €	4,15 €
F016	38133	Grease port M6 (fine thread)	2,44 €	2,90 €
F017A	44230	Brake rod bolt, 14mm stainless steel polished	3,07 €	3,65 €
F017B	44231	Brake rod bolt with angle metal for brakeswitch for BMW R51/3-R68	11,85 €	14,10 €
F018	44027	Bolt for foot brake pedal for BMW R51/2-R68	32,02 €	38,10 €
F018A	4044026	Foot brake pedal for BMW R51/2-R68	83,95 €	99,90 €
F018D	98420	Washer B 10,5	0,08 €	0,10 €
F018DA	98421	Washer B 10,5 stainless	0,17 €	0,20 €
F019A	45090	Brake rod head, round for 8mm bolts stainless steel	9,71 €	11,55 €
F019B	44137	Brake rod head, square-shape for 6mm bolt stainless steel polished	14,83 €	17,65 €
F019D	44123	Brake rod for BMW R25 and R25/2, complete stainless steel	41,60 €	49,50 €
F019E	44124	Brake rod for BMW R25/3 complete stainless steel	44,54 €	53,00 €
F019F	44220	Brake rod for BMW R51/2-R68 complete stainless steel	47,48 €	56,50 €
F019G	45115	Brake light switch flat spring for BMW R25-R25/3	3,53 €	4,20 €
F020A	33366	Pet cock fuel line adaptor (single) with fine sieve	1,93 €	2,30 €
F020AA	99880	Pet cock fuel line adaptor (single) for "Frankfurter Modell"	6,39 €	7,60 €
F020B1	9984178	Gasket ring fuel cock tap hose connection 2-fold Karcoma	0,25 €	0,30 €
F020BA	99881	Pet cock fuel line adaptor (double) for "Frankfurter Modell"	7,52 €	8,95 €
F020C	33368	Pet cock sieve in hose connector	2,10 €	2,50 €
F021A	84169	Pet cock nut, left/right threat buttom for double outlet	1,51 €	1,80 €
F021B	33369	Pet cock coupling nut, buttom for hose connector with 1 outlet	1,01 €	1,20 €
F021C	99940	Pet cock threat for weld-in tank for pet cock with M16x1 threat	10,84 €	12,90 €
F022	63077	Gasket ring fuel cock for small threads, M14 Frankfurter Armaturenwerke	0,63 €	0,75 €
F022A	84120	Pet cock nut for R25/3-R69S M16x1 left-hand thread , M20x1 right-hand thread	2,77 €	3,30 €
F022B	84121	Pet cock nut for BMW R25 and R25/2 M16x1 left-hand and right-hand thread	1,48 €	1,76 €
F022B	99908	Pet cock sieve in tank for BMW R24-R69S Inner Ø: 9mm, outer Ø: 10,3mm, length: 60mm	2,27 €	2,70 €



F022C	40060	Gasket ring fuel cock/tank for BMW R25/3-R69S and R50/5-R100 for all fuel cocks with connection M20x1	0,63 €	0,75 €
F023A	84030	Pet cock for BMW R51/3-R69S, with 2 outflow/leaving	30,67 €	36,50 €
F023B	80004	Pet cock for BMW R25 and R25/2, small throat including gasket	23,11 €	27,50 €
F023C	80008	Pet cock for BMW R25/3-R27 and R50/5-R75/5, with 1 outflow/leaving	28,53 €	33,95 €
F023D	80001	Pet cock for BMW R24 for tanks with internal screw thread, M14x1,5 WITHOUT drain-pool	23,11 €	27,50 €
F023E	40512	Pet cock gasket (Kork) for Kakoma-petcock	2,69 €	3,20 €
F023F	78070	Pet cock for BMW R35 and other PRE WW2-models, 1/4 inch WITH drain-pool	33,53 €	39,90 €
F023F	08001	Pet cock for BMW R24 for tanks with internal screw thread, M14x1,5 WITH drain-pool	32,35 €	38,50 €
F023G	08004	Pet cock for BMW R25 and R25/2, small thread with drain-pool	32,52 €	38,70 €
F023H	84031	Pet cock for BMW R51/3-R69S, with 2 outflow/leaving with drain-pool	36,89 €	43,90 €
F023I	84025	Pet cock for BMW R51/2, with 2 outflow/leaving, internal thread WITH drain-pool	33,53 €	39,90 €
F023i	1240512	Cork gasket for original Everbest-pet cock, cylindrical	9,20 €	10,95 €
F023J	08008	Pet cock for BMW R25/3-R27 and R50/5-R100 WITH drain-pool	36,89 €	43,90 €
F023K	12314	Pet cock, Inline fuel cock with 2 hose connections for 6mm hose	20,97 €	24,95 €
F023L	84008	Pet cock for R25/3-R27, R50/5-R75/5, R60/6-R90S, with 1 outflow/leaving, "Everbest" ORIGINAL-FORM "EVERBEST"	41,93 €	49,90 €
F023M	4084030	Pet cock for R51/3-R69S, with 2 outflow/leaving, "Everbest" ORIGINAL-FORM "EVERBEST"	44,12 €	52,50 €
F023N	4084115	Sieve cage for fuel cock Everbest, orig. BMW	21,01 €	25,00 €
F024A	12001	Emblem rubber for BMW R24-R69S	1,51 €	1,80 €
F024B	99012	Emblem collar for BMW R24-R69S for enamel emblem Ø=60mm, stainless steel	14,20 €	16,90 €
F025	0035269	Emblem for BMW R50-R69S, R51/2-R68, "old letters", Tank original BMW	33,57 €	39,95 €
F025	0035322	Emblem for BMW R24-R27, "old letters", tank original BMW	37,73 €	44,90 €
F027	1038	Emblem screw for BMW R25/2-R69S stainless steel	0,34 €	0,40 €
F027a	9910381	Emblem screw for BMW R24-R69S, cross-slot stainless steel	0,38 €	0,45 €
F028	800021	Knee pad holder for BMW R25/3, left side (weld on)	11,68 €	13,90 €
F028	800022	Knee pad holder for BMW R25/3, right side (weld on)	11,68 €	13,90 €
F028A	8014525	Knee pad holder for BMW R25, R25/2 and R51/3-R68 (weld on)	10,80 €	12,85 €
F028B	80145	Knee pad holder set for BMW R25, R25/2 and R51/3-R68 2 pieces	21,01 €	25,00 €
F029A	79116	Knee pad for BMW R20, R23 and R24, right and left side (article is 1 pair = 2 pc.)	43,61 €	51,90 €
F029B	80184	Knee pad for BMW R25, R25/2, and R51/3-R68, both sides are the same (single = 1 pc.)	14,83 €	17,65 €
F029C	80185	Knee pad for BMW R25/3, only left side (with hole) (single = 1 pc.)	18,91 €	22,50 €
F029D	80186	Knee pad for BMW R25/3, only right side (single = 1 pc.)	18,91 €	22,50 €
F029E	80250	Knee pad for BMW R51/2, right and left side, (also PRE WW2 R51, R71, R75) (article is 1 pair = 2 pc.)	33,61 €	40,00 €
F029F	6009	Knee pad for "Hoske"-tank, left and right (article is 1 pair = 2 pc.)	50,34 €	59,90 €
F030	14050	Fuel tank holder screw, rear, R 25/2-69S	0,59 €	0,70 €
F031	3008	Tank holder rubber, rear, R 25/2-69S	1,26 €	1,50 €
F033	80178	Distance sleeve for tank for BMW R25/3, front	3,53 €	4,20 €
F034A	80137	Fuel tank holder rubber, R25/3-27, front	1,85 €	2,20 €
F034B	98219	Hex bolt M8x1x70	1,26 €	1,50 €
F034C	14005	Fuel tank holder screw R51/3-68, front	0,42 €	0,50 €
F035	3053	Gasket for fuel tank cap from BMW R24-R69S	1,51 €	1,80 €
F036A	035288	Fuel tank R51/3-68, crude, replica	579,83 €	690,00 €
F036A	80003	Fuel tank R24, R25 new painted and stripped	630,25 €	750,00 €
F036B	35288	Fuel tank R51/3-68, crude original BMW, new	966,39 €	1.150,00 €
F036B	61030	Fuel tank R25/2 painted	672,23 €	799,95 €
F036C	35289	Fuel tank R51/3-68, original BMW, new painted and stripped	1.050,00 €	1.249,50 €
F036C	58030	Fuel tank R25/3, new painted and striped	630,25 €	750,00 €
F036C	0058030	Fuel tank R 25/3 raw, unpainted	383,61 €	456,50 €
F036CC	0035285	Fuel tank R25/3, new, for lugage rack use painted and stripped	630,25 €	750,00 €
F036D	035289	Fuel tank R51/3-R68, painted	746,22 €	888,00 €
F037A	80166	Tool box cover for BMW R25/3, new, with knee pad holder grounded, has to be adapted!	54,54 €	64,90 €
F037AA	0035313	Luggage carrier on fuel tank for BMW R25/3 chromed	96,60 €	114,95 €
F037B	31298	Tool box cover R25/2-27, R51/3-68 opens lengthways	40,97 €	48,75 €
F037BA	80168	Toolbox cover R25, R51/2-R68 opens sideways	61,26 €	72,90 €
F037C	80188	Tool box gasket, R25-/2, 26/27, 51/2-68, /5-100	5,00 €	5,95 €
F037CA	80288	Tool box gasket R50-69S, R25/3	2,48 €	2,95 €
F037D	5076	Tool box lock R25/3, R50-69S	29,16 €	34,70 €
F037E	41016	Tool box key, square-end also battery cover key for R26/27	3,78 €	4,50 €
F037G	80191	Rubber buffer for tool box for BMW R25/3	1,85 €	2,20 €
F037H	47463	Tool box cover bolt R25/3, R50-R69S for tool compartment laterally	2,48 €	2,95 €
F037I	4080176	Tool box cover bolt R24-R25/2, R26/27, R51/2-R68 for tool compartment cover above, stainless steel	3,78 €	4,50 €
F038	1053	Fuel tank cap-lock with rubber gasket with lock cover stainless steel polished	14,33 €	17,05 €



F038A	1001053	Fuel tank cap-lock with rubber gasket without lock cover stainless steel polished	14,24 €	16,95 €
F038B	80126	Fuel tank cap for BMW R24-R69S aluminum, with rubber gasket	12,23 €	14,55 €
F038C	1180126	Fuel tank cap for BMW R24-69S chrome-plated, with rubber gasket	12,23 €	14,55 €
F042	80138	Exhaust mounting rubber for BMW R25/3 and R26	1,85 €	2,20 €
F043	90130	Distance sleeve for muffler holder for BMW R25/3	3,36 €	4,00 €
F051A	42109	Battery support (foam rubber) for BMW R24-R25/3, R51/2-R69S 74x88 mm	2,14 €	2,55 €
F051B	42211	Battery support (foam rubber) for 6V16Ah battery, foam rubber, for BMW R50-R69S US-Version 80x115mm	2,98 €	3,55 €
F052A	42121	Battery carrier for BMW R25, R25/2 and R25/3 powdercoated, black	33,61 €	40,00 €
F053A	30016	Battery strap for BMW R24-R25/3, R50-R69S rubber 250mm	4,87 €	5,80 €
F053B	32016	Battery strap for BMW R51/3-R68 from year of manufacture 09/1953 rubber 270mm, "short version"	4,87 €	5,80 €
F053C	29016	Battery strap for BMW R51/2-R68, until year of manufacture 09/1953 rubber 350mm, "long version"	4,87 €	5,80 €
F057A	02125	Seat mounting bolt set 3-pieces for BMW R25-R25/2 and R51/3-R68 until year of manufacture 09/1953 stainless steel	19,24 €	22,90 €
F057B	92141	Silent block seat carrier R50, 51/3-R68 (54) model	9,20 €	10,95 €
F061	98362	Nut M10 zincked	0,20 €	0,24 €
F064	14050	Fuel tank holder screw, rear, R 25/2-69S	0,59 €	0,70 €
F066	14364	Screw M10x1x70 hexagon	1,26 €	1,50 €
F068	98420	Washer B 10,5	0,08 €	0,10 €
F069A	021020	Seat spring for driver seat for BMW R25/2-R68 chrome plated	15,21 €	18,10 €
F069B	02102	Seat spring unit for driver seat for BMW R25/2-R27 and R51-R68 chrome plated	53,36 €	63,50 €
F069C	02109	Seat spring for driver seat for BMW R25 chrome plated	21,47 €	25,55 €
F070	9906042	Seat top WITHOUT inner frame from Blitz for driver seat and passenger seat	41,18 €	49,00 €
F070	9996042	Seat top WITH inner frame from Blitz for driver and passenger seat	74,71 €	88,90 €
F070A	7002010	Seat top for BMW R24 (R20, R23) Drilasic, WITHOUT inner frame	134,37 €	159,90 €
F070AA	02009	Driver´s seat for BMW R25/2-R68, R26 and R27 complete Pagusa	157,90 €	187,90 €
F070AA	0200942	Driver´s seat for BMW R25/2-R68, R26 and R27 complete BLITZ	142,86 €	170,00 €
F070AB	02179	Driver´s seat for BMW R25/2-R68, R26 and R27 complete Denfeld	183,11 €	217,90 €
F070BA	02005	Driver´s seat for BMW R25 complete Denfeld	166,22 €	197,80 €
F070BB	02006	Driver´s seat for BMW R25 complete Pagusa	151,18 €	179,90 €
F070BC	0200601	Driver´s seat for BMW R25 complete BLITZ	142,86 €	170,00 €
F070C	02011	Seat top WITH inner frame from Denfeld for driver and passenger seat	98,57 €	117,30 €
F070D	02012	Seat top WITH inner frame from Pagusa for driver and passenger seat	80,59 €	95,90 €
F070E	1003	Seat top WITHOUT inner frame from Denfeld for driver and passenger seat	64,87 €	77,20 €
F070EA	91003	Seat top WITHOUT inner frame from Denfeld, white for driver and passenger seat	79,83 €	95,00 €
F070F	10030	Seat top WITHOUT inner frame from Pagusa for driver and passenger seat	46,18 €	54,95 €
F070G	1009066	Seat cover leatherette for solo and passenger saddle, black with white welting	40,34 €	48,00 €
F071A	02116	Seat carrier for driver seat for BMW R25/2-R68	53,70 €	63,90 €
F071B	02117	Seat carrier for driver seat for BMW R25	75,21 €	89,50 €
F071C	36205	Seat adaptor for driver seat for BMW R25-R68 2 holes mounting - angle support	5,55 €	6,60 €
F072	34153	Foot rest driver for BMW R25-R27 and for passenger for BMW R25-R27, R50-R69S stiff	15,13 €	18,00 €
F073A	34107	Footrest rubber for BMW R25-R90/6, round/stiff	5,00 €	5,95 €
F073B	10007	Footrest rubber for BMW R25-R27 and R50-R69S, oval shape	5,00 €	5,95 €
F074A	39030	Engine axle for BMW R25 and R25/2, upper stainless steel	7,48 €	8,90 €
F074B	39032	Engine axle for BMW R25/3 and R26, upper	14,20 €	16,90 €
F074C	34216	Engine axle for BMW R51/3-R69S, front stainless steel	10,04 €	11,95 €
F075	34170	Distance sleeve for engine for BMW R25/3 and R26, upper	3,28 €	3,90 €
F076	34166	Engine mounting rubber for BMW R25/3 and R26, upper	2,48 €	2,95 €
F078	34119	Engine mounting rubber for BMW R25/3 and R26, lower	3,32 €	3,95 €
F079A	01109	Distance sleeve for engine for BMW R25/3 and R26, lower	8,36 €	9,95 €
F079B	2072125	Stabiliser for Clutch cable holder for BMW R25 original BMW - REMNANTS	10,88 €	12,95 €
F080	7705704	Spacer ring engine for BMW R25 and R25/2, lower used	2,10 €	2,50 €
F080A	34113	Engine axle for BMW R25 and R26, lower	9,96 €	11,85 €
F080B	34210	Engine axle for BMW R51/3-R69S, rear stainless steel	9,20 €	10,95 €
F081	2037	ID plate BMW R25-69S	3,36 €	4,00 €
F081a	4034139	ID plate BMW R25/2	11,68 €	13,90 €
F081b	4034140	ID plate BMW R25/3	11,68 €	13,90 €
F081c	4034240	ID plate BMW R51/3	11,68 €	13,90 €
F081d	4034241	ID plate BMW R67, R67/2, R67/3	11,68 €	13,90 €
F081e	4034244	ID plate BMW R68	11,68 €	13,90 €
F082a	9916604	Screw for I.D. plate, stainless steel	2,94 €	3,50 €
F083B	98377	Nut M12 x 1,5, flat stainless steel	2,10 €	2,50 €
F084A	22122	Nut M10 x 1 zincked	0,34 €	0,40 €
F085B	25116	Kick starter bumper for BMW R24-R26	7,35 €	8,75 €
F085B	26016	Kick starter bumper for BMW R51/2-R69S	8,19 €	9,75 €



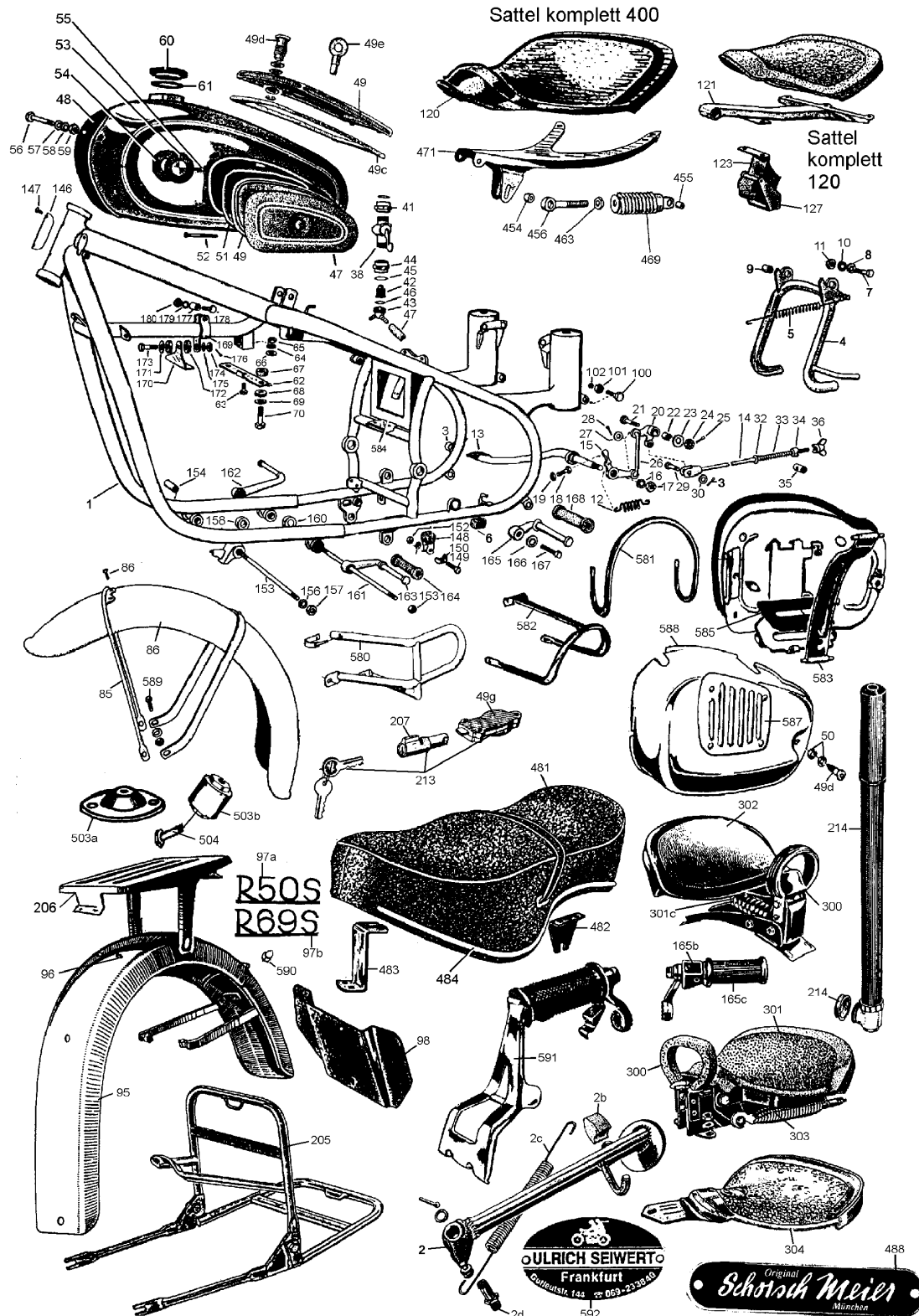
F086A	98376	Nut M12 x 1,75 zincked	0,55 €	0,65 €
F086B	98372	Nut M12 x 1,75, self-locking zincked	0,63 €	0,75 €
F086C	98380	Nut M12 x 1,75 stainless steel	1,81 €	2,15 €
F100	34150	Foot rest passenger for BMW R25-R27 and R50-R69S, flip-up, oval-shape	23,53 €	28,00 €
F100A	0034261	Foot rest holder for BMW R24-R27 and R50-R69S, cropped, 10,3mm-Hole for flip-ups, rough teethed	6,64 €	7,90 €
F100B	0034262	Foot rest holder for BMW R24-R27 and R50-R69S, cropped, 12,5mm-Hole for flip-ups, rough teethed, for Akipp-stand	6,64 €	7,90 €
F100C	1034262	Foot rest holder for BMW BMW R51/2-R68, long, 12,5mm-Hole finely tooth, for Akipp-stand	6,64 €	7,90 €
F101	13222	Screw for fender bow, stainless steel/polished	2,23 €	2,65 €
F102A	34022	Dual seat R25-69S, original Denfeld	354,12 €	421,40 €
F102B	34021	Dual seat R25-69S	197,44 €	234,95 €
F102C	02007	Seat pad "Denfeld" rear, R24-69S	273,07 €	324,95 €
F102D	0200701	Seat mounting kit, Denfeld for mount on fender	17,65 €	21,00 €
F102D	7002007	Seat pad "Denfeld-form" rear, R24-69S only for mouting direct on fender !	125,97 €	149,90 €
F102E	0200702	Seat mounting kit, Denfeld for mount on luggage rack	18,49 €	22,00 €
F102E	7002008	Seat pad "Denfeld-form" rear, R24-69S only mount on luggage rack !	125,97 €	149,90 €
F103	13463	Dual seat holder bracket R50-69S, lateral	8,19 €	9,75 €
F104	13457	Dual seat holder bracket, R50-69S, front (Z-shape)	10,00 €	11,90 €
F104	9034117	Dual seat holder bracket, R26/27, front R24-R68	10,00 €	11,90 €
F106	96152	Cap nut M 8 for rear fender zincked	2,73 €	3,25 €
F107	90240	Side stand fit to footrest for BMW R51/3-R69S "Akip", with all parts	79,79 €	94,95 €
F107a	2404551	Side stand R51/3-R68, stainless steel	109,20 €	129,95 €
F107A	9024001	Side stand fit to footrest for BMW R24-R27 "Akip", with all parts	79,79 €	94,95 €
F107b	25013	Sidestand R25-R25/3	82,35 €	98,00 €
F107c	0024040	Sidestand R26, black	82,35 €	98,00 €
F200	99993	Fuel-filter with paper inlay, stick-in-hose, universal, transparent	2,35 €	2,80 €
F201A	3017	Fuel hose, oldtime-look, per meter	4,08 €	4,86 €
F201A	3017713	Fuel hose, rubber-look, per meter	5,46 €	6,50 €
F202A	1050	Tire air pump for BMW R25-R69S, black	15,42 €	18,35 €
F202B	90172	Dust cap for tire air pump	0,50 €	0,60 €
F202D	90176	Rubber gasket for tire air pump	1,09 €	1,30 €
F202E	90170	Tire air pump valve breather, 4 holes	0,67 €	0,80 €
F202F	90174	Rubber back-pressure valve for tire air pump	0,42 €	0,50 €
F202G	10501	Tire air pump for BMW R25-R69S, silver	15,42 €	18,35 €
F202H	0010502	Tire air pump for BMW R25-R69S, chromed	21,43 €	25,50 €
F205	96216	Luggage rack for BMW R24-R69S, original shape, foldaway chromed	83,03 €	98,81 €
F206A	96101	Luggage grid for BMW R24	115,88 €	137,90 €
F206B	96103	Luggage grid for BMW R25 and R51/2	79,75 €	94,90 €
F206D	96100	Luggage grid for BMW R25/3	79,75 €	94,90 €
F206E	96210	Luggage grid for BMW R25/2 and R51/3-R68	79,75 €	94,90 €
F207	14005	Fuel tank holder screw R51/3-68, front	0,42 €	0,50 €
F208	89030	Fender for BMW R25, rear painted and lined, replica	630,25 €	750,00 €
F208	0089030	Fender for BMW R25, rear crude, replica	361,26 €	429,90 €
F208	0090029	Fender for BMW R25/2, rear crude, replica	419,33 €	499,00 €
F208A	35297	Fender for BMW R51/2-R68, rear ground coat, original BMW new part	880,67 €	1.048,00 €
F208A	89050	Fender for BMW R25/3, rear crude, replica	411,68 €	489,90 €
F208B	35298	Fender for BMW R51/2-R68, rear painted and lined, original BMW new part	1.159,66 €	1.380,00 €
F208b	89040	Fender for BMW R25/3, rear painted and lined, replica	571,43 €	680,00 €
F208b	90029	Fender for BMW R25/2, rear painted and lined, replica	525,00 €	624,75 €
F208C	96018	Fender for BMW R51/2-R68, rear crude, replica	419,33 €	499,00 €
F208C	0035293	Fender for BMW R25/3, rear ground coat, original BMW new part	961,68 €	1.144,40 €
F208D	96038	Fender for BMW R51/2-R68, rear painted and lined, replica	516,72 €	614,90 €
F208D	9614902	Fender badge "R67/2" chrome	25,13 €	29,90 €
F208E	5096118	Hinge pin for rear fender of BMW R25-R69S, stainless steel	2,14 €	2,55 €
F208E	9614901	Fender badge "R51/3" chrome	25,13 €	29,90 €
F209A	35305	Fender for BMW R51/3-R67/3, front (Mudguard) ground coated, original BMW new part	647,06 €	770,00 €
F209A	90030	Fender for BMW R25, front (Mudguard) painted and lined, replica	521,01 €	620,00 €
F209B	71030	Fender for BMW R51/3-R67/3, front (Mudguard) crude, replica	377,31 €	449,00 €
F209C	71031	Fender for BMW R51/3-R67/3, front (Mudguard) painted and lined, replica	668,07 €	795,00 €
F209D	0035301	Fender for BMW R25/3, front (Mudguard) gound coat, original BMW new part	462,10 €	549,90 €
F209D	35306	Fender for BMW R51/3-R67/3, front (Mudguard) painted and lined, original BMW new part	894,45 €	1.064,40 €
F209E	0035302	Fender for BMW R25/3, front (Mudguard) painted and lined, original BMW new part	570,59 €	679,00 €
F209E	0000765	Fender for BMW R68, front (Mudguard) ground coat, original BMW new part	344,54 €	410,00 €
F209F	5090030	Fender for BMW R68, front (Mudguard) painted and lined, original BMW new part	399,16 €	475,00 €



F209F	35302	Fender for BMW R25/3, front (Mudguard) painted and lined, replica	521,01 €	620,00 €
F209F	90028	Fender for BMW R25/2, front (Mudguard) painted and lined, replica	521,01 €	620,00 €
F209G	0090028	Fender for BMW R25 and R25/2, front (Mudguard) crude, replica	260,42 €	309,90 €
F209G	5500001	Rubber pad between fender and brace for BMW R25, R25/2 and R25/3 VIBRATION PROTECTION	1,85 €	2,20 €
F210A	30035	Fender brace for 18 inch wheels for BMW R26, R27 and R50-R69S chrome-plated	19,45 €	23,15 €
F210AA	32035	Fender brace for BMW R25/3 chrome-plated	19,45 €	23,15 €
F210AB	320351	Fender brace for BMW R25/3 black	19,45 €	23,15 €
F210B	31035	Fender brace for 19 inch wheels chrome-plated	19,45 €	23,15 €
F210BA	310351	Fender brace for 19 inch wheels for BMW R25/2 and R51/2-R68 black	19,45 €	23,15 €
F210C	28038	Support Stand for mounting on Fender for BMW R51/2-R68 black	51,68 €	61,50 €
F210D	90108	Fender brace for BMW R25, R25/2 and R25/3, front, middle-brace crude	51,68 €	61,50 €
F210E	96261	Fender brace for BMW R68, front, middle-brace black painted (fits also for BMW R51/3-R67/3)	46,22 €	55,00 €
F211A	9008	Rubber plug for fender holes, 7mm	0,50 €	0,60 €
F211B	96154	Rubber plug for fender holes, 8mm	0,59 €	0,70 €
F211C	96260	Fender brace for BMW R68, rear chrome-plated	62,98 €	74,95 €
F212	96195	License plate support for BMW R25, R25/2 and R25/3, small, with beveled edges plastic-coated	15,25 €	18,15 €
F212A	96178	License plate support for BMW R26, R27 and R50-R69S, big, black plastic-coated	12,06 €	14,35 €
F212B	0000965	License plate support for BMW R25-R25/3, R51/2 and R51/3, military-style, black	16,72 €	19,90 €
F221A	317025	Steering lock for BMW R25/3-R27, R50-R69S and R50/5-R100, short	9,92 €	11,80 €
F221B	1025	Steering lock for BMW R25, R25/2 and R51/2-R68, long	16,30 €	19,40 €
F221C	16009	Fork and toolbox lock assembly R25/3, R50-69S	42,52 €	50,60 €
F222	2025	Steering lock cover for BMW R25/3-R27 and R50-R100/7	2,35 €	2,80 €
F222B	92025	Groove pin for steering-lock cover and stepshield for BMW R26, R27 and R50-R100/7	0,42 €	0,50 €
F223	32019	Spring washer for steering lock cover for BMW R25/3-R27 and R50-R100	0,25 €	0,30 €
F224	16104	Lock spring for steering lock	0,59 €	0,70 €
F300A	8003	Passenger's seat grab handle Denfeld	41,93 €	49,90 €
F300C	1058	Passenger's seat grab handle Pagusa	35,80 €	42,60 €
F300D	1057	Passenger's seat grab handle, Pagusa-like	29,33 €	34,90 €
F301A	35015	Passenger seat to mount on the rack Pagusa	148,32 €	176,50 €
F301B	34015	Passenger seat to mount on the rack Denfeld	191,43 €	227,80 €
F301C	97302	Spring-assembly, Pagusa rear-seat	34,87 €	41,50 €
F302A	35017	Passenger seat to mount on the fender Denfeld	191,43 €	227,80 €
F302B	34017	Passenger seat to mount on the fender Pagusa	147,02 €	174,95 €
F303	34115	Spring set for passenger seat (two springs) open Pagusa	31,05 €	36,95 €
F303A	3411500	Spring set for passenger seat (two springs) closed loop Pagusa and Denfeld	30,42 €	36,20 €
F304	9058	Seat top WITHOUT inner frame with front latch, Pagusa ONLY FOR passenger seat	49,54 €	58,95 €
F305	99013	Emblem "Uli's Motorradladen"	0,00 €	0,00 €
F305a	36625	Groove pin for emblem "Uli's"	0,00 €	0,00 €
F360	1052	Headlight guard for BMW R24-R75/5 chromed	16,72 €	19,90 €
F371	80165	Tool box screw, square (separate)	2,77 €	3,30 €
F371	0180167	Tool box screw, square (complete with mounting parts)	3,74 €	4,45 €
F481	6003	Dual seat cover R24-69S	45,04 €	53,60 €
F481	0006003	Dual seat cover large R24-69S US-version	45,04 €	53,60 €
F484	34676	Dual seat trim-set, R25-R69S incl. screws and nuts	27,65 €	32,90 €
F485	922016	Dual seat trim holder nut	0,13 €	0,15 €
F486	31319	Seat-trim screw /5	1,18 €	1,40 €
F487	31015	Washer, seat-trim screw.	0,38 €	0,45 €
F488	33552	'Schorsch Meier' seat emblem	8,82 €	10,50 €
F490	02030	Co-driver's seat R68-R69, leather, swinger-type w/o seat holder !!	294,03 €	349,90 €
F490b	02032	Seat mounting kit, "Schorsch Meier" for mount on fender	12,56 €	14,95 €
F491	96032	Swinger seat holder set R68, rear, stainless	71,43 €	85,00 €
F492	96031	Swinger seat holder set R68-69, front, stainless	30,25 €	36,00 €
F493	96033	Swinger seat holder set R69, rear, stainless	72,27 €	86,00 €
F590B	99007	Cap nut M 8 stainless steel	1,60 €	1,90 €
F590C	96122	Nut for rear fender brace for BMW R26-R69S and R51/3-R68 upper engine mount	2,48 €	2,95 €



Group J: Frame, fender, tank, seat for all models 1955-1969



<u>Picture-No.</u>	<u>Article-No.</u>	<u>Description</u>	<u>Net</u>	<u>Gross</u>
J00	1303017	Fuel hose quick-connector, Ø 7,5mm	7,52 €	8,95 €
J00	1403017	Fuel hose quick-connector, Ø 9mm NOT for BMW-oldtimer-motorcycle	7,52 €	8,95 €
J000	4634260	Foot rest driver for BMW R51/2-R68 and R50-R69S, right side, long	25,13 €	29,90 €
J000	1237758	Leather bag carrier set, R50-R69S, black for leather bag "Nostalgie" & "Classic"	83,95 €	99,90 €
J000	1238511	Leather bag classic for BMW R25/3-R69S and R50/5-R75/5 with frame, black	193,19 €	229,90 €
J000	03017	Fuel hose tube	0,42 €	0,50 €
J000	4634125	Foot rest driver for BMW R51/2-R68 and R50-R69S, left side, short	25,13 €	29,90 €
J000	962601	Fender brace for BMW R50-R69S, rear sportstyle	65,97 €	78,50 €
j000	4084110	Gasket ring fuel cock Everbest-shape for BMW R25/3-R27 and R50/5-R75/5 fits also fuelcock for R24 with external thread	1,39 €	1,65 €
J000	80007	Pet cock locking ring for BMW R25-R69S	0,21 €	0,25 €
J000	99521	Leather bag, military/police style natural-coloured	167,98 €	199,90 €



J000	00986	Weld-in repair part for stand rh R50-R69S	58,74 €	69,90 €
J000	00987	Weld-in repair part for stand lh R50-R69S	50,34 €	59,90 €
J000	9988777	Leather bag, military/police style black, REMNANTS!	117,56 €	139,90 €
J000	9988666	Leather bag universal, 3-point universal-mounting black, REMNANTS!	117,56 €	139,90 €
J000	9952102	Leather bag, military/police style black, waterproof sealed	151,18 €	179,90 €
J000	0003683	Leather bag carrier set, R26/27, black for leather bag "Nostalgie" & "Classic"	92,35 €	109,90 €
J000	0003920	Leather bag fixing screw	6,68 €	7,95 €
J000	0003855	Leather bag carrier set, R51/3-R68, black for leather bag "Nostalgie" & "Classic"	83,95 €	99,90 €
J000	0003849	Leather bag carrier set, R25/3, black for leather bag "Nostalgie" & "Classic"	100,76 €	119,90 €
J002	9024174	Side stand spring R27 stainless	5,00 €	5,95 €
J002A	24013	Side stand R50-69S black without mounting parts	67,14 €	79,90 €
J002A	0024013	Side stand spring strap R50-69S in conjunction with spring 28216	9,66 €	11,50 €
J002B	24170	Side stand stop R50-69S	3,32 €	3,95 €
J002c	0021119	Lock ring side stand R50-R69S	0,55 €	0,65 €
J002D	24173	Side stand spring R50-69S	4,12 €	4,90 €
J002D	24174	Side stand spring R50-69S, stainless steel	6,64 €	7,90 €
J002E	30002	Side stand bolt R50-69S, M12	13,40 €	15,95 €
J002F	30001	Side stand bolt,R50-69S M14	13,40 €	15,95 €
J002F	1230001	Side stand bolt for BMW R50-R69S, thread: M14, with washer and splint for automatic flip-up version (more parts needed, see product details)	16,72 €	19,90 €
J002J	24045	Side stand R27, stainless steel	109,20 €	129,95 €
J003	99900	Weld-on ball for sidecar mount, for 1 Zylinder-frame	23,95 €	28,50 €
J003	99901	Weld-on ball for sidecar mount R51/2-R69S	16,38 €	19,49 €
J003B	14047	Ballpin for BMW R25 for sidecar connection, screw-in frame lower bottom	15,04 €	17,90 €
J004A	2080	Center stand for BMW R50-R69S	99,16 €	118,00 €
J004B	3080	Center stand for BMW R26 and R27	99,16 €	118,00 €
J005A	28218	Center stand spring R50-R69S	2,94 €	3,50 €
J005B	28118	Center stand spring R25/2 (middle mount) R25/3-R27	2,98 €	3,55 €
J006	28135	Center stand and swing arm bumper, kickstart lever R27	2,35 €	2,80 €
J007	14665	Screw center stand R25-R27	1,47 €	1,75 €
J007B	12620	Screw M10x30	0,67 €	0,80 €
J008	98458	Spring washer B12, DIN137B	0,28 €	0,33 €
J009A	28130	Center stand bushing for BMW R25-R27 hardened	4,24 €	5,05 €
J009B	28230	Center stand bushing for BMW R50-R69S hardened	4,24 €	5,05 €
J010	98424	Washer B 13	0,17 €	0,20 €
J011	98375	Nut M12 x 1,5 zincked	0,67 €	0,80 €
J012A	44127	Spring for foot brake pedal for BMW R26 and R27	8,32 €	9,90 €
J012B	44215	Spring for foot brake pedal for BMW R50-R69S	2,69 €	3,20 €
J013A	44151	Foot brake pedal for BMW R25-R27 used	25,13 €	29,90 €
J013AA	4044009	Bolt for foot brake pedal for BMW R25, R25/2 and R25/3	26,05 €	31,00 €
J013B	44033	Bolt for foot brake pedal for BMW R50-R69S	36,05 €	42,90 €
J013C	44031	Foot brake pedal for BMW R50-R69S	83,95 €	99,90 €
J013D	44032	Foot brake pedal for BMW R50-R69S used	62,94 €	74,90 €
J014a	44229	Brake rod for BMW R50-R69S WITHOUT attachment parts (naked) stainless steel	19,66 €	23,40 €
J014B	44225	Brake rod for BMW R50-R69S complete with 8mm bolt, stainless steel	41,60 €	49,50 €
J014D	44159	Brake rod for BMW R 26 and R27 complete stainless steel	41,60 €	49,50 €
J015	44234	Brake rod redirection R50-R69S	34,41 €	40,95 €
J018	98155	Screw M6x16 hexagon	0,13 €	0,15 €
J020	044226	Brake angle lever for BMW R50-R69S	20,97 €	24,95 €
J021	98207	Screw M8x45 hexagon	0,25 €	0,30 €
J022	044266	Bushing brake-angle for BMW R50-R69S	3,78 €	4,50 €
J024	23421	Castle nut M 8 zincked	0,97 €	1,15 €
J026	44262	Brake push rod for BMW R50-R69S	11,18 €	13,30 €
J029A	40395	Brake rod bolt for BMW R26-R27 and R50-R69S, 8mm stainless steel polished	4,35 €	5,18 €
J029B	34961	Brake rod bolt with lock spring, 6x12mm	2,44 €	2,90 €
J030A	45090	Brake rod head, round for 8mm bolts stainless steel	9,71 €	11,55 €
J030B	44137	Brake rod head, square-shape for 6mm bolt stainless steel polished	14,83 €	17,65 €
J031	36226	Split pin, cincked	0,13 €	0,15 €
J031a	44136	Split pin for brake rod, stainless steel	0,13 €	0,15 €
J033	44138	Brake rod spring stainless steel polished	3,49 €	4,15 €
J034	44133	Brake rod ring, vaulted stainless steel polished	3,83 €	4,56 €
J035	44230	Brake rod bolt, 14mm stainless steel polished	3,07 €	3,65 €
J036a	4044115	Wing nut for brake rod for BMW R25-R69S stainless steel chromed	10,84 €	12,90 €
J037	3017	Fuel hose, oldtime-look, per meter	4,08 €	4,86 €
J037	3017713	Fuel hose, rubber-look, per meter	5,46 €	6,50 €
J038A	84030	Pet cock for BMW R51/3-R69S, with 2 outflow/leaving	30,67 €	36,50 €
J038B	80008	Pet cock for BMW R25/3-R27 and R50/5-R75/5, with 1 outflow/leaving	28,53 €	33,95 €



J038D	84031	Pet cock for BMW R51/3-R69S, with 2 outflow/leaving with drain-pool	36,89 €	43,90 €
J038E	08008	Pet cock for BMW R25/3-R27 and R50/5-R100 WITH drain-pool	36,89 €	43,90 €
J038F	12314	Pet cock, Inline fuel cock with 2 hose connections for 6mm hose	20,97 €	24,95 €
J039	40512	Pet cock gasket (Kork) for Kakoma-petcock	2,69 €	3,20 €
J041	84120	Pet cock nut for R25/3-R69S M16x1 left-hand thread , M20x1 right-hand thread	2,77 €	3,30 €
J041A	40060	Gasket ring fuel cock/tank for BMW R25/3-R69S and R50/5-R100 for all fuel cocks with connection M20x1	0,63 €	0,75 €
J042A	33368	Pet cock sieve in hose connector	2,10 €	2,50 €
J042B	99908	Pet cock sieve in tank for BMW R24-R69S Inner Ø: 9mm, outer Ø: 10,3mm, length: 60mm	2,27 €	2,70 €
J042C	80005	Pet cock spring for BMW R25-R69S	0,56 €	0,67 €
J043A	33366	Pet cock fuel line adaptor (single) with fine sieve	1,93 €	2,30 €
J043AA	99880	Pet cock fuel line adaptor (single) for "Frankfurter Modell"	6,39 €	7,60 €
J043B1	9984178	Gasket ring fuel cock tap hose connection 2-fold Karcoma	0,25 €	0,30 €
J043BA	99881	Pet cock fuel line adaptor (double) for "Frankfurter Modell"	7,52 €	8,95 €
J044A	84169	Pet cock nut, left/right threat buttom for double outlet	1,51 €	1,80 €
J044B	33369	Pet cock coupling nut, buttom for hose connector with 1 outlet	1,01 €	1,20 €
J047	6009	Knee pad for "Hoske"-tank, left and right (article is 1 pair = 2 pc.)	50,34 €	59,90 €
J047A	80187	Knee pad for BMW R50-R69S, only right side (single = 1 pc.)	18,07 €	21,50 €
J047B	4080183	Knee pad for BMW R26 and R27, right and left side (article is 1 pair = 2 pc.)	32,06 €	38,15 €
J047C	80183	Knee pad for BMW R26 and R27, only left side (single = 1 pc.)	17,23 €	20,50 €
J047D	4080189	Knee pad for BMW R50-R69S, right and left side (article is 1 pair = 2 pc.)	32,77 €	39,00 €
J047E	1088	Knee pad for "Schorsch Meier"-tank, only left side (single = 1 pc.)	26,89 €	32,00 €
J047E	1088001	Knee pad for "Schorsch Meier"-tank, only right side (single = 1 pc.)	26,89 €	32,00 €
J047F	80189	Knee pad for BMW R50-R69S, only left side (with hole) (single = 1 pc.)	18,07 €	21,50 €
J047G	80141	Knee pad holder for BMW R26, R27 and R50-R69S, left side (weld on)	10,29 €	12,25 €
J047G	80140	Knee pad holder for BMW R26, R27 and R50-R69S, right side (weld on)	10,29 €	12,25 €
J047H	1088007	Knee pad holder for "Schorsch Meier"-tank, right side (weld-on)	20,97 €	24,95 €
J047H	1088008	Knee pad holder for "Schorsch Meier"-tank, left side (weld-on)	20,97 €	24,95 €
J048A	0035286	Fuel tank R26/27, original BMW, new only primed	1.529,41 €	1.820,00 €
J048AA	0035287	Fuel tank R26/27, original BMW, new painted and stripped	1.134,45 €	1.350,00 €
J048B	45241	Fuel tank R26/27 new painted and stripped	668,07 €	795,00 €
J048C	59030	Fuel tank R50-69S, painted	663,87 €	790,01 €
J048E	49030	Fuel tank R51/3-R68, "Schorsch Meier", painted	920,17 €	1.095,00 €
J048F	0035292	Fuel tank R50-R69S "Schorsch Meier", unpainted new original part	924,37 €	1.100,00 €
J049A	80270	Toolbox cover R50-69S new rebuild, black painted	54,54 €	64,90 €
J049B	31298	Tool box cover R25/2-27, R51/3-68 opens lengthways	40,97 €	48,75 €
J049C	80188	Tool box gasket, R25-/2, 26/27, 51/2-68, /5-100	5,00 €	5,95 €
J049CA	80288	Tool box gasket R50-69S, R25/3	2,48 €	2,95 €
J049D	80165	Tool box screw, square (separate)	2,77 €	3,30 €
J049D	0180167	Tool box screw, square (complete with mounting parts)	3,74 €	4,45 €
J049DA	0180165	Batterie cover screw, square for BMW R26 and R27 (separate)	2,77 €	3,30 €
J049DA	0180166	Batterie cover screw, square for BMW R26 and R27 (complete with mounting parts)	3,74 €	4,45 €
J049E	41016	Tool box key, square-end also battery cover key for R26/27	3,78 €	4,50 €
J049G	5076	Tool box lock R25/3, R50-69S	29,16 €	34,70 €
J050A	4034156	Kickstarter bumper mounting spacer for BMW R24-R69S	1,93 €	2,30 €
J050A	63073	Gasket ring toolbox screw, M10x14x1.5	0,17 €	0,20 €
J050B	63108	O-ring tool box lock screw	0,34 €	0,40 €
J050C	07161	Lock ring for tool box screw	0,29 €	0,35 €
J052	47463	Tool box cover bolt R25/3, R50-R69S for tool compartment laterally	2,48 €	2,95 €
J052A	4080176	Tool box cover bolt R24-R25/2, R26/27, R51/2-R68 for tool compartment cover above, stainless steel	3,78 €	4,50 €
J053	0035269	Emblem for BMW R50-R69S, R51/2-R68, "old letters", Tank original BMW	33,57 €	39,95 €
J053	0035322	Emblem for BMW R24-R27, "old letters", tank original BMW	37,73 €	44,90 €
J054A	12001	Emblem rubber for BMW R24-R69S	1,51 €	1,80 €
J054B	99012	Emblem collar for BMW R24-R69S for enamel emblem Ø=60mm, stainless steel	14,20 €	16,90 €
J055	1038	Emblem screw for BMW R25/2-R69S stainless steel	0,34 €	0,40 €
J055a	9910381	Emblem screw for BMW R24-R69S, cross-slot stainless steel	0,38 €	0,45 €
J056A	14093	Fuel tank holder screw R50-69S, front	1,47 €	1,75 €
J056B	98210	Screw M8x110 hexagon	0,97 €	1,15 €
J056C	80136	Distance sleeve for tank for BMW R26 and R27, front	3,53 €	4,20 €
J057	80137	Fuel tank holder rubber, R25/3-27, front	1,85 €	2,20 €
J060A	1053	Fuel tank cap-lock with rubber gasket with lock cover stainless steel polished	14,33 €	17,05 €
J060B	80126	Fuel tank cap for BMW R24-R69S aluminum, with rubber gasket	12,23 €	14,55 €
J060C	1180126	Fuel tank cap for BMW R24-69S chrome-plated, with rubber gasket	12,23 €	14,55 €
J060C	1001053	Fuel tank cap-lock with rubber gasket without lock cover stainless steel polished	14,24 €	16,95 €
J061	3053	Gasket for fuel tank cap from BMW R24-R69S	1,51 €	1,80 €
J062b	80194	Fuel tank holder, rear, R26-R69S	9,16 €	10,90 €



J067	3008	Tank holder rubber, rear, R 25/2-69S	1,26 €	1,50 €
J070	14050	Fuel tank holder screw, rear, R 25/2-69S	0,59 €	0,70 €
J084A	0035303	Fender for BMW R26 and R27, front (Mudguard) ground coat, original BMW new part	300,50 €	357,60 €
J085	30035	Fender brace for 18 inch wheels for BMW R26, R27 and R50-R69S chrome-plated	19,45 €	23,15 €
J085A	5090150	Fender brace for BMW R50-R69S, middle only for "US-Version", chrome-plated	112,77 €	134,20 €
J085B	0035304	Fender for BMW R26 and R27, front (Mudguard) painted, original BMW new part	515,04 €	612,90 €
J085C	90022	Fender for BMW R50-R69S, front (Mudguard) (R68-shape) narrow, painted and lined, with middle brace	306,72 €	365,00 €
J086	13222	Screw for fender bow, stainless steel/polished	2,23 €	2,65 €
J086A	13220	Fender for BMW R26, R27 and R50-R69S, front (Mudguard) painted and lined, replica, without middle brace, small marks from storing !	250,00 €	297,50 €
J086b	90040	Fender for BMW R26-R69S, front (Mudguard) ground coating, without middle brace, replica, "coating has to be removed" !	147,06 €	175,00 €
J086c	0013220	Fender for BMW R26, R27 and R50-R69S, front (Mudguard) new painted and lined, with middle brace, replica	327,65 €	389,90 €
J086d	0035307	Fender for BMW R50-R69S, front (Mudguard) ground coat, with middle brace, original BMW new part	343,53 €	408,80 €
J086e	3296261	Fender brace for BMW R26, R27 and R50-R69S, front, middle-brace crude	29,33 €	34,90 €
J095	22001	Fender for BMW R50-R69S, rear painted and lined, original BMW new part	1.050,42 €	1.250,00 €
J095a	22011	Fender for BMW R50-R69S, rear ground coat, original BMW new part	794,12 €	945,00 €
J095A	21001	Fender for BMW R26 and R27, rear painted and lined, replica	495,80 €	590,00 €
J095b	23001	Fender for BMW R50-R69S, rear ground coat, replica	336,05 €	399,90 €
J095b	021001	Fender for BMW R26 and R27, rear crude, replica	419,33 €	499,00 €
J095C	35295	Fender for BMW R26 and R27, rear ground coat, original BMW new part	872,69 €	1.038,50 €
J095D	35296	Fender for BMW R26 and R27, rear painted and lined, original BMW new part	1.050,42 €	1.250,00 €
J095E	9614906	Fender badge "R27" chrome	25,13 €	29,90 €
J096A	9008	Rubber plug for fender holes, 7mm	0,50 €	0,60 €
J096B	96154	Rubber plug for fender holes, 8mm	0,59 €	0,70 €
J096B	5096118	Hinge pin for rear fender of BMW R25-R69S, stainless steel	2,14 €	2,55 €
J097A	96148	Fender badge "R50S" chrome	30,59 €	36,40 €
J097B	96147	Fender badge "R69S" chrome	30,59 €	36,40 €
J097C	98470	Clamp ring, clip-on, 4mm	0,25 €	0,30 €
J097D	9614903	Fender badge "R50" chrome	25,13 €	29,90 €
J097D	9614904	Fender badge "R50/2" chrome	25,13 €	29,90 €
J097D	9614905	Fender badge "R60/2" chrome	25,13 €	29,90 €
J098	96195	License plate support for BMW R25, R25/2 and R25/3, small, with bevelded edges plastic-coated	15,25 €	18,15 €
J098A	96178	License plate support for BMW R26, R27 and R50-R69S, big, black plastic-coated	12,06 €	14,35 €
J098B	0000965	License plate support for BMW R25-R25/3, R51/2 and R51/3, military-style, black	16,72 €	19,90 €
J100	98203	Screw M 8x30 hexagon	0,25 €	0,30 €
J101	96152	Cap nut M 8 for rear fender zincked	2,73 €	3,25 €
J120	9906042	Seat top WITHOUT inner frame from Blitz for driver seat and passenger seat	41,18 €	49,00 €
J120	9996042	Seat top WITH inner frame from Blitz for driver and passenger seat	74,71 €	88,90 €
J120A	0002141	Driver´s seat for BMW R50-R69S complete Pagusa	171,39 €	203,95 €
J120A	0214142	Driver´s seat for BMW R50-R69S complete BLITZ	155,00 €	184,45 €
J120AA	02140	Driver´s seat for BMW R50-R69S complete Denfeld	191,43 €	227,80 €
J120B	02011	Seat top WITH inner frame from Denfeld for driver and passenger seat	98,57 €	117,30 €
J120C	02012	Seat top WITH inner frame from Pagusa for driver and passenger seat	80,59 €	95,90 €
J120D	1003	Seat top WITHOUT inner frame from Denfeld for driver and passenger seat	64,87 €	77,20 €
J120DA	91003	Seat top WITHOUT inner frame from Denfeld, white for driver and passenger seat	79,83 €	95,00 €
J120E	10030	Seat top WITHOUT inner frame from Pagusa for driver and passenger seat	46,18 €	54,95 €
J120F	1009066	Seat cover leatherette for solo and passenger saddle, black with white welting	40,34 €	48,00 €
J121A	12166	Seat carrier for driver seat for BMW R50-R69S	70,59 €	84,00 €
J121A	36205	Seat adaptor for driver seat for BMW R25-R68 2 holes mounting - angle support	5,55 €	6,60 €
J121B	92141	Silent block seat carrier R50, 51/3-R68 (54) model	9,20 €	10,95 €
J121B	99102	Seat adaptor for driver seat for BMW R50-R69S "Z-shape" angle support with stud bolt	5,52 €	6,57 €
J122	14364	Screw M10x1x70 hexagon	1,26 €	1,50 €
J123	10003	Silent block for drivers seat for BMW R50-R69S	43,40 €	51,65 €
J124	98157	Screw M6x20 hexagon	0,13 €	0,15 €
J127	02190	Silent block holder for driver seat for BMW R50-R69S	12,77 €	15,20 €
J146	2037	ID plate BMW R25-69S	3,36 €	4,00 €
J146a	4034138	ID plate BMW R26	11,68 €	13,90 €
J146b	4034142	ID plate BMW R27	11,68 €	13,90 €
J146c	4034246	ID plate BMW R50, R50/2	11,68 €	13,90 €
J146d	4034249	ID plate BMW R60	11,68 €	13,90 €
J146e	4034206	ID plate BMW R60/2	11,68 €	13,90 €
J146f	4034247	ID plate BMW R69	11,68 €	13,90 €
J146g	4034204	ID plate BMW R69S	11,68 €	13,90 €



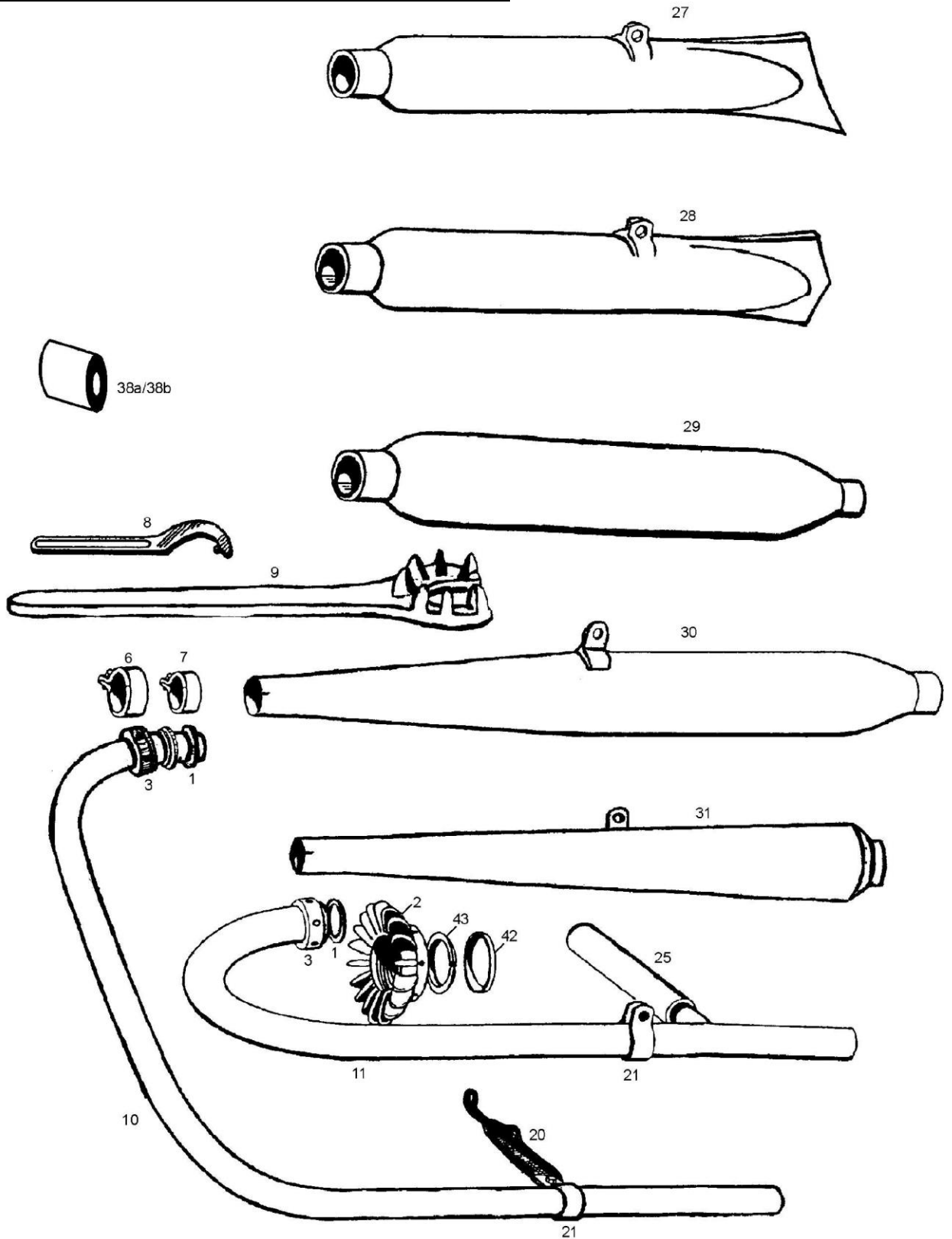
J147a	9916604	Screw for I.D. plate, stainless steel	2,94 €	3,50 €
J148B	26016	Kick starter bumper for BMW R51/2-R69S	8,19 €	9,75 €
J148c	28135	Center stand and swing arm bumper, kickstart lever R27	2,35 €	2,80 €
J148D	25116	Kick starter bumper for BMW R24-R26	7,35 €	8,75 €
J150	34156	Kick starter bumper mounting set for BMW R24-R69S	4,16 €	4,95 €
J153A	34216	Engine axle for BMW R51/3-R69S, front stainless steel	10,04 €	11,95 €
J153B	39032	Engine axle for BMW R25/3 and R26, upper	14,20 €	16,90 €
J154	34224	Bushing engine mounting axle for BMW R51/3-R69S	3,57 €	4,25 €
J156	98425	Washer B 13 stainless	0,42 €	0,50 €
J157A	98375	Nut M12 x 1,5 zincked	0,67 €	0,80 €
J157B	98377	Nut M12 x 1,5, flat stainless steel	2,10 €	2,50 €
J157B	98378	Nut M12 x 1,5 stainless steel	2,44 €	2,90 €
J160a	34227	Distance ring engine for BMW R51/3-R69S and handle bar for BMW R27	3,28 €	3,90 €
J161A	34210	Engine axle for BMW R51/3-R69S, rear stainless steel	9,20 €	10,95 €
J161B	34113	Engine axle for BMW R25 and R26, lower	9,96 €	11,85 €
J162a	4034260	Foot rest for BMW R50-R69S and R50/5-R100, right side	25,13 €	29,90 €
J162b	34151	Foot rest driver for BMW R51/3-R69S used - Please indicate whether left or right side !!!	12,78 €	15,21 €
J163	9034125	Foot rest driver for BMW R50-69S and R50/5-R100, left side	25,13 €	29,90 €
J164	34107	Footrest rubber for BMW R25-R90/6, round/stiff	5,00 €	5,95 €
J165A	34153	Foot rest driver for BMW R25-R27 and for passenger for BMW R25-R27, R50-R69S stiff	15,13 €	18,00 €
J165B	34150	Foot rest passenger for BMW R25-R27 and R50-R69S, flip-up, oval-shape	23,53 €	28,00 €
J165BA	0034261	Foot rest holder for BMW R24-R27 and R50-R69S, cropped, 10,3mm-Hole for flip-ups, rough teethed	6,64 €	7,90 €
J165BB	0034262	Foot rest holder for BMW R24-R27 and R50-R69S, cropped, 12,5mm-Hole for flip-ups, rough teethed, for Akipp-stand	6,64 €	7,90 €
J165BC	1034262	Foot rest holder for BMW BMW R51/2-R68, long, 12,5mm-Hole finely tooth, for Akipp-stand	6,64 €	7,90 €
J165C	10007	Footrest rubber for BMW R25-R27 and R50-R69S, oval shape	5,00 €	5,95 €
J167	98257	Screw M12x30 hexagon	0,80 €	0,95 €
J169	34278	Engine mounting clamp for BMW R51/3-R69S	16,72 €	19,90 €
J170a	34282	Engine mounting angle bracket for BMW R50-R69S, upper	11,26 €	13,40 €
J170b	34270	Engine mounting angle bracket for BMW R51/3-R68, upper	14,83 €	17,65 €
J171	9998416	Large diameter washer, 8 x 30mm, thin	0,13 €	0,15 €
J171a	80148	Engine mounting rubber for BMW R51/3-R69S	1,93 €	2,30 €
J172	80148	Engine mounting rubber for BMW R51/3-R69S	1,93 €	2,30 €
J173	98205	Screw M8x35 hexagon	0,25 €	0,30 €
J173	98216	Screw M8x1x40, hexagon	0,84 €	1,00 €
J174	98414	Washer B 8,4	0,06 €	0,07 €
J175	98351	Nut M 8 x 1, self-locking (lock nut) zincked	0,42 €	0,50 €
J177	34274	Distance sleeve for motor mounting for BMW R51/3-R69S	3,53 €	4,20 €
J178	98205	Screw M8x35 hexagon	0,25 €	0,30 €
J200	99993	Fuel-filter with paper inlay, stick-in-hose, universal, transparent	2,35 €	2,80 €
J205	96216	Luggage rack for BMW R24-R69S, original shape, foldaway chromed	83,03 €	98,81 €
J205A	92239	Rack rubber strap Denfeld, 37cm for BMW R24-R69S	9,24 €	11,00 €
J205A	0962161	Rubber for luggage rack for BMW R24-R69S foldaway, black	5,17 €	6,15 €
J205B	92244	Rack rubber strap Denfeld, 45cm for BMW R24-R69S	10,50 €	12,50 €
J205B	0962162	Rubber for luggage rack for BMW R24-R69S foldaway, red	5,17 €	6,15 €
J205C	92255	Rack rubber strap Denfeld, 54cm for BMW R24-R69S	12,10 €	14,40 €
J206A	96200	Luggage grid for BMW R26 and R27	77,52 €	92,25 €
J206B	96214	Luggage grid for BMW R50-R69S	79,75 €	94,90 €
J207	317025	Steering lock for BMW R25/3-R27, R50-R69S and R50/5-R100, short	9,92 €	11,80 €
J208	2025	Steering lock cover for BMW R25/3-R27 and R50-R100/7	2,35 €	2,80 €
J208B	92025	Groove pin for steering-lock cover and stepshield for BMW R26, R27 and R50-R100/7	0,42 €	0,50 €
J210	16104	Lock spring for steering lock	0,59 €	0,70 €
J211	32019	Spring washer for steering lock cover for BMW R25/3-R27 and R50-R100	0,25 €	0,30 €
J213	16009	Fork and toolbox lock assembly R25/3, R50-69S	42,52 €	50,60 €
J214A	1050	Tire air pump for BMW R25-R69S, black	15,42 €	18,35 €
J214B	90172	Dust cap for tire air pump	0,50 €	0,60 €
J214D	90176	Rubber gasket for tire air pump	1,09 €	1,30 €
J214E	90170	Tire air pump valve breather, 4 holes	0,67 €	0,80 €
J214F	90174	Rubber back-pressure valve for tire air pump	0,42 €	0,50 €
J214F	0010502	Tire air pump for BMW R25-R69S, chromed	21,43 €	25,50 €
J214G	10501	Tire air pump for BMW R25-R69S, silver	15,42 €	18,35 €
J300A	8003	Passenger's seat grab handle Denfeld	41,93 €	49,90 €
J300C	1058	Passenger's seat grab handle Pagusa	35,80 €	42,60 €
J300D	1057	Passenger*s seat grab handle, Pagusa-like	29,33 €	34,90 €



J301A	35015	Passenger seat to mount on the rack Pagusa	148,32 €	176,50 €
J301B	34015	Passenger seat to mount on the rack Denfeld	191,43 €	227,80 €
J301C	97302	Spring-assembly, Pagusa rear-seat	34,87 €	41,50 €
J302A	35017	Passenger seat to mount on the fender Denfeld	191,43 €	227,80 €
J302B	34017	Passenger seat to mount on the fender Pagusa	147,02 €	174,95 €
J303	34115	Spring set for passenger seat (two springs) open Pagusa	31,05 €	36,95 €
J303A	3411500	Spring set for passenger seat (two springs) closed loop Pagusa and Denfeld	30,42 €	36,20 €
J304	9058	Seat top WITHOUT inner frame with front latch, Pagusa ONLY FOR passenger seat	49,54 €	58,95 €
J400A	02009	Driver's seat for BMW R25/2-R68, R26 and R27 complete Pagusa	157,90 €	187,90 €
J400A	0200942	Driver's seat for BMW R25/2-R68, R26 and R27 complete BLITZ	142,86 €	170,00 €
J400B	02179	Driver's seat for BMW R25/2-R68, R26 and R27 complete Denfeld	183,11 €	217,90 €
J469A	021020	Seat spring for driver seat for BMW R25/2-R68 chrome plated	15,21 €	18,10 €
J469B	02102	Seat spring unit for driver seat for BMW R25/2-R27 and R51-R68 chrome plated	53,36 €	63,50 €
J471B	02116	Seat carrier for driver seat for BMW R25/2-R68	53,70 €	63,90 €
J480A	34022	Dual seat R25-69S, original Denfeld	354,12 €	421,40 €
J480B	34021	Dual seat R25-69S	197,44 €	234,95 €
J480C	34028	Dual seat R50-R69S, wide, USA	378,07 €	449,90 €
J481	6003	Dual seat cover R24-69S	45,04 €	53,60 €
J481	0006003	Dual seat cover large R24-69S US-version	45,04 €	53,60 €
J481C	02007	Seat pad "Denfeld" rear, R24-69S	273,07 €	324,95 €
J481D	0200701	Seat mounting kit, Denfeld for mount on fender	17,65 €	21,00 €
J481D	7002007	Seat pad "Denfeld-form" rear, R24-69S only for mounting direct on fender !	125,97 €	149,90 €
J481E	0200702	Seat mounting kit, Denfeld for mount on luggage rack	18,49 €	22,00 €
J481E	7002008	Seat pad "Denfeld-form" rear, R24-69S only mount on luggage rack !	125,97 €	149,90 €
J482	13463	Dual seat holder bracket R50-69S, lateral	8,19 €	9,75 €
J482A	9034116	Dual seat holder bracket R26/27, lateral	8,19 €	9,75 €
J483	13457	Dual seat holder bracket, R50-69S, front (Z-shape)	10,00 €	11,90 €
J483A	9034117	Dual seat holder bracket, R26/27, front R24-R68	10,00 €	11,90 €
J484	34676	Dual seat trim-set, R25-R69S incl. screws and nuts	27,65 €	32,90 €
J484a	922016	Dual seat trim holder nut	0,13 €	0,15 €
J484b	31319	Seat-trim screw /5	1,18 €	1,40 €
J484c	31015	Washer, seat-trim screw.	0,38 €	0,45 €
J488	33552	'Schorsch Meier' seat emblem	8,82 €	10,50 €
J500B	32032	Air filter housing for BMW R26 and R27 used, new coated, black	109,16 €	129,90 €
J500BB	32031	Air filter housing for BMW R26 and R27 used	50,00 €	59,50 €
J501	34166	Engine mounting rubber for BMW R25/3 and R26, upper	2,48 €	2,95 €
J502	34119	Engine mounting rubber for BMW R25/3 and R26, lower	3,32 €	3,95 €
J503A	34130	Engine mounting rubber for BMW R27, upper	11,26 €	13,40 €
J503B	34131	Engine mounting rubber for BMW R27, lower	11,26 €	13,40 €
J504	98240	Screw M10x1x20 hexagon	0,80 €	0,95 €
J505	034126	Engine mounting angle bracket for BMW R27, upper	8,57 €	10,20 €
J560	42168	Rubber buffer for battery carrier for BMW R26 and R27	2,48 €	2,95 €
J580	2052	Crash bar set for BMW R50-R69S, Fehling, chrome, 2 parts, with mounting-material	140,25 €	166,90 €
J580A	24156	Crash bar R50-R69S, trapeze shape, chrome without mounting parts	151,18 €	179,90 €
J580AA	09024171	Crash bar mounting kit for BMW R50-R69S trapeze-shape	25,13 €	29,90 €
J581	1052	Headlight guard for BMW R24-R75/5 chromed	16,72 €	19,90 €
J582A	9910521	Taillight chrome guard for BMW R26-R69S from year of manufacture 09/1958 stainless steel	29,33 €	34,90 €
J583	30016	Battery strap for BMW R24-R25/3, R50-R69S rubber 250mm	4,87 €	5,80 €
J583	31016	Battery strap for BMW R26 and R27 rubber 190mm	4,87 €	5,80 €
J584	42212	Battery carrier for BMW R50-R69S, 6 Volt	18,49 €	22,00 €
J584A	42213	Battery carrier for BMW R50-R69S, 6V16Ah, US-Version also suitable for 12V batteries	18,49 €	22,00 €
J585B	042111	Battery support (foam rubber) for 6V12Ah Battery for BMW R26 and R27 110x50mm	2,98 €	3,55 €
J586	42170	Gasket for battery cover for BMW R26 and R27	3,19 €	3,80 €
J587	42160	Battery cover protection plate for BMW R26 and R27	19,92 €	23,70 €
J588	42162	Battery cover for R26 and R27 with alu step-protector black	86,47 €	102,90 €
J588B	080140	Battery cover rubber washer for BMW R26 and R27, also for tool-box	0,80 €	0,95 €
J589	98201	Screw M 8x20, hexagon for chain tensioner, simplex for BMW R45 and R65, R60/7-R100 and exhaust pipe holding screw for BMW R50-R69S	0,17 €	0,20 €
J590B	99007	Cap nut M 8 stainless steel	1,60 €	1,90 €
J590C	96122	Nut for rear fender brace for BMW R26-R69S and R51/3-R68 upper engine mount	2,48 €	2,95 €
J591	90240	Side stand fit to footrest for BMW R51/3-R69S "Akip", with all parts	79,79 €	94,95 €
J591A	9024001	Side stand fit to footrest for BMW R24-R27 "Akip", with all parts	79,79 €	94,95 €
J592	99013	Emblem "Uli's Motorradladen"	0,00 €	0,00 €
J592a	36625	Groove pin for emblem "Uli's"	0,00 €	0,00 €



Group A: Exhaust system all models 1948-1969



<u>Picture-No.</u>	<u>Article-No.</u>	<u>Description</u>	<u>Net</u>	<u>Gross</u>
A001	63470	Gasket for exhaust for R24-R60/2	1,18 €	1,40 €
A002A	3003	Exhaust nut cover for BMW R24-R60/2, aluminum (slips over the existing nut)	22,65 €	26,95 €
A002B	90111	Exhaust nut for BMW R24-R27 and R50S	23,53 €	28,00 €
A002C	90250	Exhaust nut for BMW R68, R69 and R69S	23,53 €	28,00 €
A003A	9016	Exhaust nut for BMW R24-R27 and R51/2-R60/2	9,45 €	11,25 €
A003B	90110	Exhaust nut for BMW R24-R60/2 stainless steel	21,81 €	25,95 €
A004B	1335595	Exhaust nut for BMW R45 and R65 (fits also on R68, R69 and R69S)	19,37 €	23,05 €
A006	9001	Exhaust pipe clamp for BMW R24-R25/2, R26/R27, all 2 Cylinder until 1969, R45/R65, 36mm head pipe chrome plated	6,39 €	7,60 €



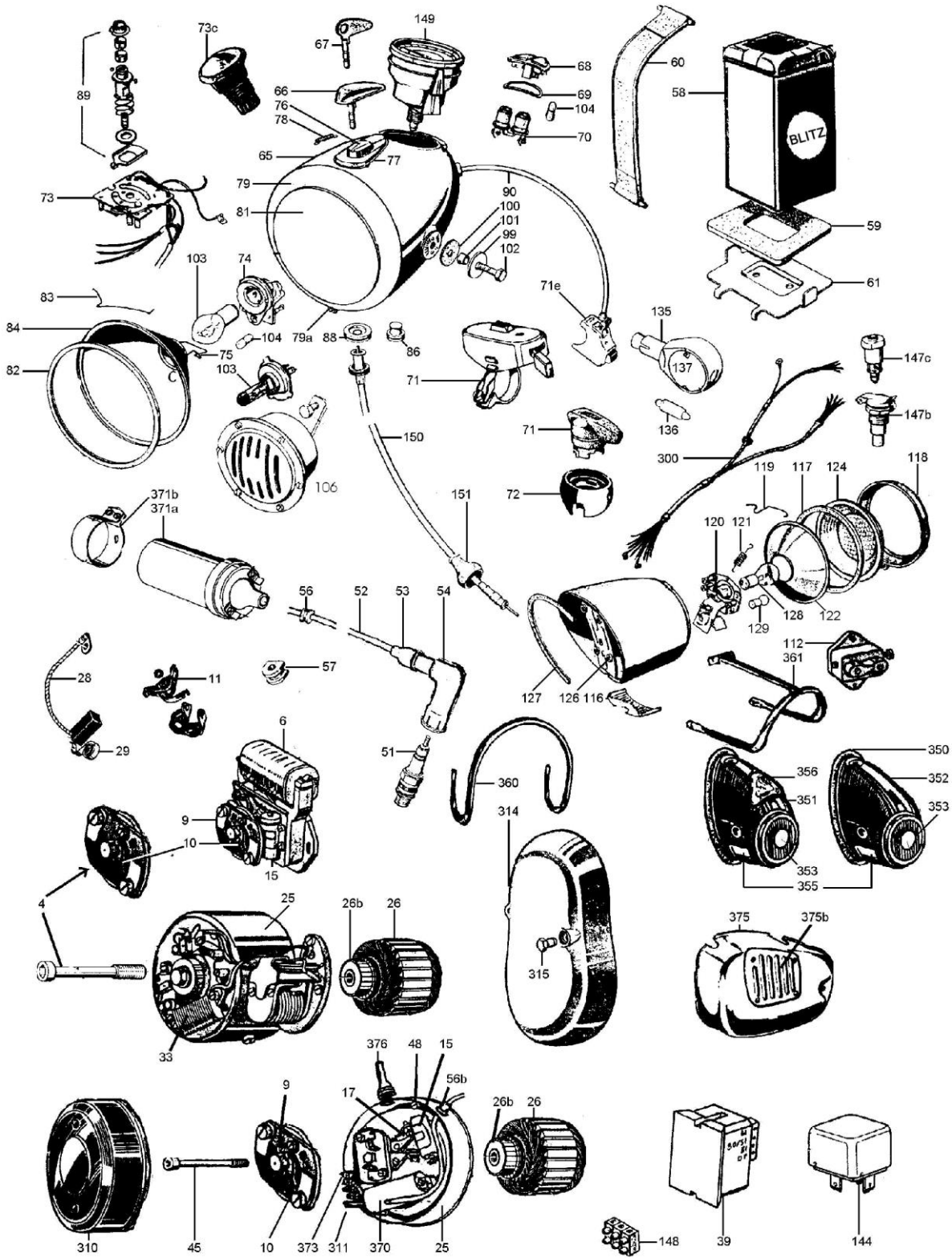
A007	3036	Exhaust pipe clamp for for BMW R25/3 chrome plated	6,39 €	7,60 €
A008A	92038	Exhaust pipe wrench for BMW R24-R60 for vehicle tool kit 17cm	10,08 €	12,00 €
A009	90139	Wrench for finned exhaust nut forged steel, professional workshop quality	23,53 €	28,00 €
A010A	90114	Exhaust pipe for BMW R20, R23 and R24 (with bend)	120,97 €	143,95 €
A010B	90116	Exhaust pipe for BMW R25 and R25/2	120,97 €	143,95 €
A010C	90018	Exhaust pipe for BMW R25/3 (thin)	103,53 €	123,20 €
A010D	11035	Exhaust pipe for BMW R26	120,97 €	143,95 €
A010E	11036	Exhaust pipe for BMW R27	120,97 €	143,95 €
A011AA	62120	Exhaust pipes for BMW R50-R60/2, Set with cross tube stainless steel	377,31 €	449,00 €
A011B	200351	Exhaust pipe for BMW R51/2-R67/3 until year of manufacture 09/1953, right side straight version	125,97 €	149,90 €
A011B	20035	Exhaust pipe for BMW R51/2-R67/3 until year of manufacture 09/1953, left side straight version	125,97 €	149,90 €
A011BA	990351	Exhaust pipe for BMW R51, right side, 1938 prewar	106,64 €	126,90 €
A011BA	99035	Exhaust pipe for BMW R51, left side, 1938 prewar	106,64 €	126,90 €
A011C	190351	Exhaust pipe for BMW R51/2-R67/3 from year of manufacture 09/1953, right side bent version	125,97 €	149,90 €
A011C	19035	Exhaust pipe for BMW R51/2-R67/3 from year of manufacture 09/1953, left side bent version	125,97 €	149,90 €
A011D	9130351	Exhaust pipe for BMW R68 until year of manufacture 09/1953, right side straight version	120,97 €	143,95 €
A011D	913035	Exhaust pipe for BMW R68 until year of manufacture 09/1953, left side straight version	120,97 €	143,95 €
A011E	130351	Exhaust pipe for BMW R68 from year of manufacture 09/1953, right side bent version	120,97 €	143,95 €
A011E	13035	Exhaust pipe for BMW R68 from year of manufacture 09/1953, left side bent version	120,97 €	143,95 €
A011F	090016	Exhaust pipe for BMW R69 and R69S, right side	120,97 €	143,95 €
A011F	62122	Exhaust pipe for BMW R69 and R69S, Set with crosspipe stainless steel	394,12 €	469,00 €
A011F	15035	Exhaust pipe for BMW R69 and R69S, left side	120,97 €	143,95 €
A011G	140351	Exhaust pipe "conversion" new engine, right /2 frame - earls fork frame	120,97 €	143,95 €
A011G	14035	Exhaust pipe "conversion" new engine, left /2 frame - earls fork frame	120,97 €	143,95 €
A020A	90142	Exhaust pipe bracket for BMW R25/3	13,44 €	15,99 €
A020B	90143	Exhaust pipe bracket for BMW R26	13,40 €	15,95 €
A020C	90141	Exhaust pipe bracket for BMW R27	6,64 €	7,90 €
A021A	2036	Exhaust pipe clamp for BMW R25/3 30mm, chrome plated	6,39 €	7,60 €
A021B	10361	Exhaust pipe clamp for BMW R26 and R27 chrome plated	6,39 €	7,60 €
A021C	90103	Exhaust pipe clamp for BMW R25, R25/2 and R51/2-R69S stainless steel	6,39 €	7,60 €
A025A	22035	Crosspipe R51/2-69S, chrome-plated	15,80 €	18,80 €
A025B	22036	Crosspipe R51/3-69S stainless steel	17,90 €	21,30 €
A027A	900051	Muffler for BMW R51/3-R68, fish-tail with cut out, right side from year of manufacture 09/1953	167,98 €	199,90 €
A027A	90005	Muffler for BMW R51/3-R68, fish-tail with cut out, left side from year of manufacture 09/1953	167,98 €	199,90 €
A027B	900061	Muffler for BMW R51/2-R68, fish-tail with bracket, right side until year of manufacture 09/1953	142,77 €	169,90 €
A027B	90006	Muffler for BMW R51/2-R68, fish-tail with bracket, left side until year of manufacture 09/1953	142,77 €	169,90 €
A027C	90000	Muffler for BMW R20 and R24, fish-tail shape	142,77 €	169,90 €
A027D	90007	Muffler for BMW R25, fish-tail shape	142,77 €	169,90 €
A027E	1034	Muffler for BMW R35 pre war, fish-tail shape	141,93 €	168,90 €
A027F	90012	Muffler EMW, long	121,85 €	145,00 €
A028A	90021	Muffler for BMW R51/3-R68, bird-tail shape with cut out, right side from year of manufacture 09/1953	167,98 €	199,90 €
A028A	90002	Muffler for BMW R51/3-68, bird-tail shape with cut out, left side from year of manufacture 09/1953	167,98 €	199,90 €
A028B	900031	Muffler for BMW R51/2-R68, bird-tail with bracket, right side until year of manufacture 09/1953	142,77 €	169,90 €
A028B	90003	Muffler for BMW R51/2-R68, bird-tail with bracket, left side until year of manufacture 09/1953	142,77 €	169,90 €
A028C	90004	Muffler for BMW R25/2, bird-tail shape	142,77 €	169,90 €
A028D	90009	Muffler for BMW R25/3, bird-tail shape	142,77 €	169,90 €
A029A	90001	Muffler for BMW R51/3-R68, Torpedo-shape with cut out, with seam, right side from year of manufacture 09/1953	167,98 €	199,90 €
A029A	4090033	Muffler for BMW R51/3-R68, Torpedo-shape with cut out, without seam, right side from year of manufacture 09/1953	176,39 €	209,90 €
A029B	92001	Muffler for BMW R51/3-R68, Torpedo-shape with cut out, with seam, left side from year of manufacture 09/1953	167,98 €	199,90 €

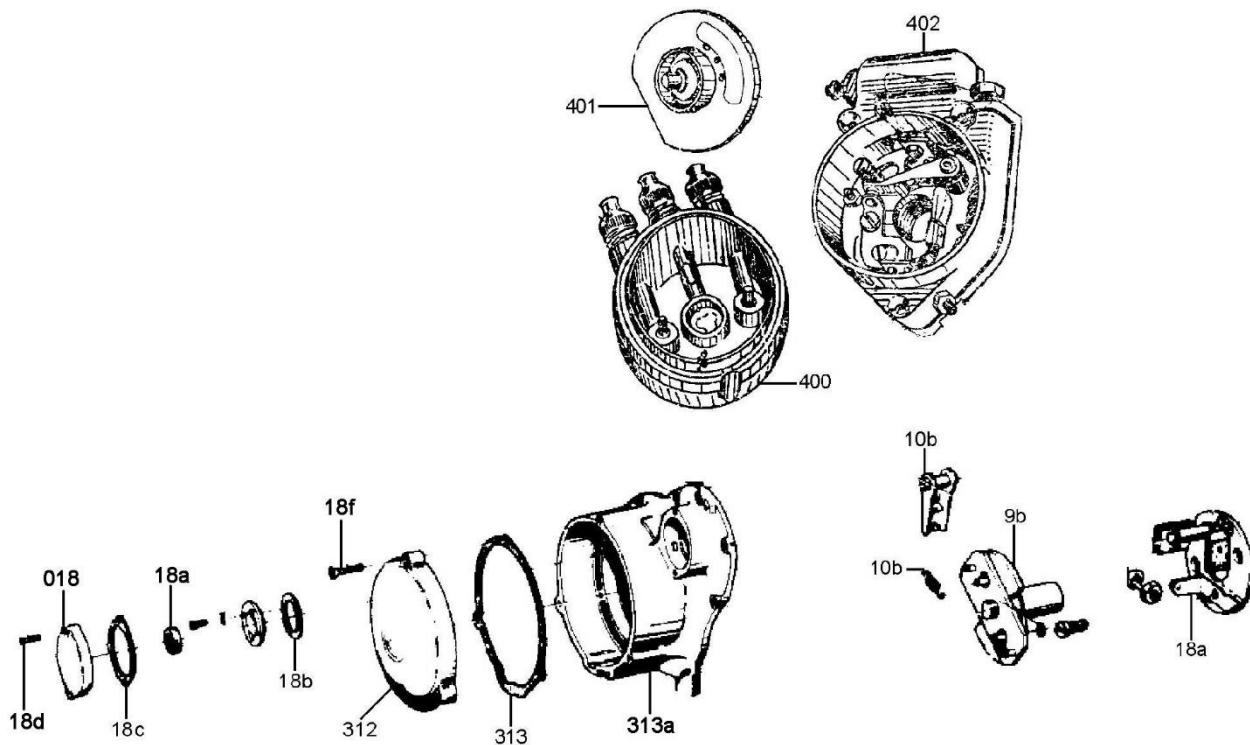


A029B	4090032	Muffler for BMW R51/3-R68, Torpedo-shape with cut out, without seam, left side from year of manufacture 09/1953	176,39 €	209,90 €
A029C	90008	Muffler for BMW R25/3, torpedo-shape without clamp Please order seperatly Clamp for muffler artichel nr: 3036	107,56 €	128,00 €
A030	11088	Muffler-Set for BMW R50-R60/2 stainless steel	461,30 €	548,95 €
A030A	90011	Muffler for BMW R26 & R27, with seam	180,59 €	214,90 €
A030A	4090011	Muffler for BMW R26 & R27, without seam	188,99 €	224,90 €
A030B	900871	Muffler for BMW R50-R60/2, without seam, left side	188,99 €	224,90 €
A030B	90087	Muffler for BMW R50-R60/2, without seam, right side	188,99 €	224,90 €
A030BA	91088	Muffler for BMW R50-R60/2, with seam, left side	184,79 €	219,90 €
A030BA	91087	Muffler for BMW R50-R60/2, with seam, right side	184,79 €	219,90 €
A030BS	4090073	Exhaust pipe for BMW R50S, with finned exhaust nut, left side chrome-plated	121,85 €	145,00 €
A030BS	4090074	Exhaust pipe for BMW R50S, with finned exhaust nut, right side chrome-plated	121,85 €	145,00 €
A030C	900891	Muffler für BMW R50S, R69 & R69S, without seam, left side	197,44 €	234,95 €
A030C	90089	Muffler for BMW R50S, R69 & R69S, without seam, right side	197,44 €	234,95 €
A030CA	90090	Muffler for BMW R50S, R69 & R69S, with seam, left side	188,99 €	224,90 €
A030CB	900901	Muffler für BMW R50S, R69 & R69S, with seam, right side	188,99 €	224,90 €
A030CD	11070	Muffler-Set for BMW R50S, R69 & R69S stainless steel	461,34 €	548,99 €
A030D	90088	Muffler "Conversion" for BMW R69S-shape, 38mm, left side for post-1969 engines at 1955-1969 swing typ frames	188,99 €	224,90 €
A030D	900881	Muffler "Conversion" for BMW R69S-shape, 38mm, right side for post-1969 engines at 1955-1969 swing typ frames	188,99 €	224,90 €
A030DD	62024	Exhaust pipes "conversion" for BMW motor R50/5-R80, swing typ frame from 1955-1969 38mm, set with crosspipe, stainless steel	327,23 €	389,40 €
A030DD	1451844	Exhaust pipe Set for BMW R80G/S and R80ST until year of manufacture 1987 stainless steel, polished - NOT for paralever!!!	242,86 €	289,00 €
A031	7035	Muffler for BMW R50-R69S, sports-shape, left side without ECE-ABE	151,18 €	179,90 €
A031	1007035	Muffler for BMW R26, sports-shape, without ECE-ABE	151,18 €	179,90 €
A031A	87035	Muffler for BMW R50-R69S, sports-shape, right side without ECE-ABE	151,18 €	179,90 €
A038A	90144	Silent block for muffler holder, R27	9,16 €	10,90 €
A038B	80138	Exhaust mounting rubber for BMW R25/3 and R26	1,85 €	2,20 €
A038C	90131	Distance sleeve for muffler holder for BMW R26	3,53 €	4,20 €
A042	90254	Exhaust thrust ring for BMW R68, R69 and R69S	5,80 €	6,90 €
A043	90258	Exhaust clamp ring for BMW R68, R69 and R69S	7,48 €	8,90 €
A11A1	1090073	Exhaust Pipe for BMW R50 and R50/2, left side	120,97 €	143,95 €
A11A2	1090074	Exhaust Pipe for BMW R50 and R50/2, right side	120,97 €	143,95 €
A11A3	4090048	Exhaust Pipe for BMW R60 and R60/2, left side	120,97 €	143,95 €
A11A4	4090049	Exhaust Pipe for BMW R60 and R60/2, right side	120,97 €	143,95 €



Group E: Electrics





<u>Picture-No.</u>	<u>Article-No.</u>	<u>Description</u>	<u>Net</u>	<u>Gross</u>
E000	270080	Isolating tube, 8mm price per meter	0,97 €	1,15 €
E000	70224	Grommet for wiring harness/battery carrier R50-69S	3,78 €	4,50 €
E000	00111	Chrome rim 130mm, Hella-headlight p.e. XT 500, NSU	16,81 €	20,00 €
E000	1000666	Ignition timing lamp (Stroboscopic light)	39,33 €	46,80 €
E000	1081120	Contactless ignition system EZA-1, for BMW R24-R26 conversion-kit complete	208,40 €	248,00 €
E000	1301470	Contactless ignition system EZA-2, for BMW R27 conversion-kit complete	216,81 €	258,00 €
E000	1091122	Contactless ignition system EZA-4, for BMW R51/3-R69S (NOT FOR R68 and R69!!!) conversion-kit complete w.high power ignition coil	294,03 €	349,90 €
E000	1635700	Seal-ring, 16x35x7 camshaft only for contactless ignition system R51/3-R69S	3,36 €	4,00 €
E0001	7770004	Sticker old Bosch - Logo for Battery 0811	6,30 €	7,50 €
E004A	02108	Generator rotor screw for BMW R24, R25 - R26	4,33 €	5,15 €
E004B	02142	Generator rotor screw for BMW R27	3,36 €	4,00 €
E004C	36184	Generator rotor screw for BMW R51/3-R69S	3,53 €	4,20 €
E004E	8002314	Generator rotor screw for BMW R51/3-R69S, 12V, 100W 4-Brushes, direct current generator	4,16 €	4,95 €
E006	04104	Ignition coil for BMW R51/3-R68 and R50-R69S internal	82,35 €	98,00 €
E008	118031	Magneto rotor for BMW R51/3-R60/2 and R69S, checked used, NOT FOR BMW R68 and R69	119,83 €	142,60 €
E009A	08112	Ignition advance unit for BMW R24-R26	132,77 €	158,00 €
E009b	30147	Ignition advance unit for BMW R27	166,39 €	198,00 €
E009C	04113	Ignition advance unit for BMW R51/3-R69S	166,39 €	198,00 €
E009Ca	0000068	Stop spring for ignition advance unit old version	8,61 €	10,25 €
E009Cb	0000069	Stop spring for ignition advance unit new version	5,80 €	6,90 €
E010A	1018	Spring for ignition advance unit for BMW R24-R69S	2,27 €	2,70 €
E010B	3018	Spring for ignition advance unit for BMW R27	2,44 €	2,90 €
E010C	98481	Locking ring for ignition advance unit for BMW R51/3-R69S	0,10 €	0,12 €
E011A	2014	Ignition point set R24-26	7,52 €	8,95 €
E011AA	32815	Lock ring points and advance unit R24-26	0,08 €	0,10 €
E011B	3014	Ignition point set R27	8,36 €	9,95 €
E011C	1015	Ignition point set R51/2	10,50 €	12,50 €
E011D	4014	Ignition point set R51/3-69S	7,02 €	8,35 €
E011E	8530576	Ignition point-insulation washer set	2,48 €	2,95 €
E011F	0000230	Felt for ignition point to adapt for BMW R51/3-R69S	5,88 €	7,00 €
E011G	0001925	Felt for ignition point to adapt for BMW R24, R25, R25/2, R25/3 and R26	5,88 €	7,00 €
E015	8011	Condenser for BMW R24-R69S, with cable and bracket	5,00 €	5,95 €
E015B	98011	Condenser for BMW R24-R69S, without cable - with bracket to solder	3,61 €	4,30 €
E017	30008	Ignition points base R24-R26	24,54 €	29,20 €
E017B	98100	Screw M3,5x5 slot	0,13 €	0,15 €
E018	0002122	Cover for breaker contact for BMW R27	25,13 €	29,90 €
E018a	02129	Seal-ring camshaft R27	3,53 €	4,20 €
E018a	30132	Ignition points base R27 Orig. BMW N.O.S.	151,22 €	179,95 €



E018B	02128	Ignition points base gasket R27	1,26 €	1,50 €
E018C	02123	Ignition points cover gasket R27	1,43 €	1,70 €
E018d	98101	Screw generator-cover R 27	0,25 €	0,30 €
E018F	98174	Screw M6x30 counter-sunk	0,34 €	0,40 €
E025	8002139	Stator with winding for BMW R24, R25, R25/2, R25/3 and R26, 6V rebuilt	294,12 €	350,00 €
E025A	5030	Generator winding overhauling price on a time and material basis	315,13 €	375,00 €
E025a	8002143	Stator with winding for BMW R27, 6V rebuilt	315,13 €	375,00 €
E026	4022	Rotor for Generator for BMW R24-R26, 6 Volt direct current	155,63 €	185,20 €
E026	5022	Rotor for Generator for BMW R50/2, R60/2, R69S, 6 Volt 20mm, crank pin, large conus	155,63 €	185,20 €
E026	6022	Rotor for Generator for BMW R51/3-R68, R50-R69, 6 Volt 17mm, crank pin, small conus	155,63 €	185,20 €
E026	4023	Rotor for Generator for BMW R27, 6 Volt direct current	155,63 €	185,20 €
E026B	02330	Collector for direct-current rotor	23,53 €	28,00 €
E026D	3022	Generator rotor 6 Volt or 12 Volt Behörde - in exchange Please indicate the type of motorcycle !	218,49 €	260,00 €
E028A	02218	Generator brush pre-war-models up to BMW R51/2	4,37 €	5,20 €
E028B	98100	Screw M3,5x5 slot	0,13 €	0,15 €
E028B	1019	Generator brush for BMW R24-R69S	2,10 €	2,50 €
E028B	8002106	Generator brush Set, 6V for Noris generator central connected, straight end	10,84 €	12,90 €
E028C	02332	Generator brush for BMW R50/2, R60/2 and R69S, 12V, for 4-brushes generators	2,73 €	3,25 €
E028D	02310	Generator brush für BMW R50-R69S, 6Volt 75W, 2-brush-version	2,48 €	2,95 €
E029	7013	Generator brush spring for BMW R24-R69S	2,44 €	2,90 €
E033	1021	Resistor generator, R51/3-R69S, electronic	7,14 €	8,50 €
E039A	6030	Voltage regulator 6V for BMW R24-R26, internal electronic, with 4 mounting holes	77,14 €	91,80 €
E039AA	96030	Voltage regulator 6V for BMW R51/2-R69S, internal electronic, with 2 mounting holes	77,14 €	91,80 €
E039C	2009	Voltage regulator 14.3V for BMW R50/5-R100 AC	33,53 €	39,90 €
E039E	976030	Voltage regulator 12V for DC (direct current) electronic	76,72 €	91,30 €
E039F	08106	Voltage regulator 6V for BMW R27 electronic	79,16 €	94,20 €
E045	04100	Locking screw for ignition advance unit for BMW R51/3-R69S	4,12 €	4,90 €
E045D	02348	Generator rotor screw for BMW R50/5-R100	4,96 €	5,90 €
E048A	98138	Screw for headlight rim	0,13 €	0,15 €
E048B	98165	Screw M6x16, allen-head	0,17 €	0,20 €
E051	158158	Spark plug W240T2 for BMW R50-R60/2 long thread	3,19 €	3,80 €
E051	32518	Spark plug W78G, 4-electrodes short thread	8,28 €	9,85 €
E051A	76330	Spark plug W240T1 for BMW R51/2-R60 and R24-R27 short thread	3,19 €	3,80 €
E051B	36166	Spark plug W260T1 for BMW R68, R50S, R69, R69S short thread	3,19 €	3,80 €
E051C	36167	Spark plug for BMW R68, R50S, R69 & R69S long thread	4,12 €	4,90 €
E051E	61280	Spark plug W230T30 for BMW R50/5-R60/7, R90S, R45 & R65 and R100 from year of manufacture 1979	3,19 €	3,80 €
E051F	36168	Spark plug W200T30 for BMW R75/5-R80/7, R90/6, R90S R100 until year of manufacture 1979, R80 (all), R100R and GS	3,19 €	3,80 €
E052	4017	Ignition cable per meter, copper	2,44 €	2,90 €
E053	8036100	Grommet spark-plug	0,84 €	1,00 €
E054	5005	Spark-plug socket	6,68 €	7,95 €
E054	5005011	Spark-plug socket, all models, classic black	4,16 €	4,95 €
E054A	5590014	Spark-plug socket, Bakelit, with BMW logo	21,68 €	25,80 €
E055	10272	Ignition cable sleeve, brass, stick-on	1,01 €	1,20 €
E056A	36150	Grommet ignition cable, 51/3-69S	0,88 €	1,05 €
E056B	70106	Grommet for ignition cable/generator R24-R26	1,81 €	2,15 €
E056P	99910	Battery cover for 6V, 12AH	8,19 €	9,75 €
E057A	52095	Grommet for wire harness/engine (horse-shoe) R51/3-R69S	2,77 €	3,30 €
E057B	70195	Grommet for wiring harness/generator R27	0,59 €	0,70 €
E058	6123024	Battery 6V, for BMW R24-R25/3, R51/2-R69S, black maintenance-free – No shipment outside the European Union possible!	46,64 €	55,50 €
E058A	6121024	Battery 6V, for BMW R24-R25/3, R51/2-R69S, black (for own filling with acid)	44,12 €	52,50 €
E058AB	81024	Battery 6V, for BMW R24-R25/3, R51/2-R69S, white (for own filling with acid)	30,88 €	36,75 €
E058B	01411	Battery 6V, for BMW R50-R69S (US-version), black (for own filling with acid)	51,68 €	61,50 €
E058B	1001611	Battery 6V, for BMW R50-R69S (US-version), black maintenance-free – No shipment outside the European Union possible!	55,04 €	65,50 €
E058B	1101611	Battery 6V, for Panther, Triumph, Velocette maintenance-free – No shipment outside the European Union possible!	55,04 €	65,50 €
E058B	1201611	Battery 6V, for Ducati, Gilera, Moto Guzzi maintenance-free – No shipment outside the European Union possible!	55,04 €	65,50 €
E058B	1301611	Battery 6V, for Harley-Davidson WLA and WLC maintenance-free – No shipment outside the European Union possible!	55,04 €	65,50 €
E058B	1401611	Battery 6V, for Jawa maintenance-free – No shipment outside the European Union possible!	55,04 €	65,50 €
E058B	1501611	Battery 6V, for BSA/B.S.A, Matchless maintenance-free – No shipment outside the European Union possible!	55,04 €	65,50 €



E058C	3024	Battery 12V, for 12V-conversation, 12N5.5-3B (for own filling with acid) - (white), REMNANTS	29,33 €	34,90 €
E058C	0050512	Battery 12V, for BMW R27-conversation, R50-R69S maintenance-free – No shipment outside the European Union possible!	39,87 €	47,45 €
E058DA	42030	Battery 6V, for BMW R26 and R27 (for own filling with acid) black	44,71 €	53,20 €
E058DB	0092030	Battery 6V, for BMW R26 and R27, black maintenance-free – No shipment outside the European Union possible!	46,64 €	55,50 €
E058E	4024	Battery 12V, for 12V-conversation (for own filling with acid) - (white)	35,63 €	42,40 €
E058J	00386	Battery 6V, for BMW R50-R69S (US-version) (for own filling with acid) - (white)	40,46 €	48,15 €
E058M	29240	Battery acid, 1 litre-bottle, will not be shipped - ONLY for pick up in Shop	4,16 €	4,95 €
E058N	96009	Battery charger, automatic, 2V, 6V, 12V, 600mA	16,72 €	19,90 €
E058O	92024	Battery 6V, for DKW, NSU-Max (for own filling with acid) - (white)	35,97 €	42,80 €
E058P	92124	Battery 6V, for DKW, NSU-Max (fow own filling with acid) black	35,97 €	42,80 €
E059A	42109	Battery support (foam rubber) for BMW R24-R25/3, R51/2-R69S 74x88 mm	2,14 €	2,55 €
E059B	42211	Battery support (foam rubber) for 6V16Ah battery, foam rubber, for BMW R50-R69S US-Version 80x115mm	2,98 €	3,55 €
E059C	042111	Battery support (foam rubber) for 6V12Ah Battery for BMW R26 and R27 110x50mm	2,98 €	3,55 €
E060A	30016	Battery strap for BMW R24-R25/3, R50-R69S rubber 250mm	4,87 €	5,80 €
E060B	31016	Battery strap for BMW R26 and R27 rubber 190mm	4,87 €	5,80 €
E060C	32016	Battery strap for BMW R51/3-R68 from year of manufacture 09/1953 rubber 270mm, "short version"	4,87 €	5,80 €
E060D	42224	Battery strap for BMW R51/2-R68 until year of manufacture 09/1953 stainless steel black coated, set with 2 pieces	35,21 €	41,90 €
E060E	29016	Battery strap for BMW R51/2-R68, until year of manufacture 09/1953 rubber 350mm, "long version"	4,87 €	5,80 €
E061A	42212	Battery carrier for BMW R50-R69S, 6 Volt	18,49 €	22,00 €
E061AA	42213	Battery carrier for BMW R50-R69S, 6V16Ah, US-Version also suitable for 12V batteries	18,49 €	22,00 €
E061B	42121	Battery carrier for BMW R25, R25/2 and R25/3 powdercoated, black	33,61 €	40,00 €
E065A	50012	Headlight bucket R25/2, R51/3-R68 ->09/53, black powdered, high gloss	145,29 €	172,90 €
E065B	50030	Headlight bucket R25/3, R26-69S, R51/3-R68 09/53->	145,29 €	172,90 €
E065C	50013	Headlight R25/2, R51/3-68 ->09/53 complete, w/out speedometer, black powdered, high gloss	436,97 €	519,99 €
E065D	50032	Headlight R26-69S, R51/3-R69 09/53->, w/out speedometer	436,97 €	519,99 €
E065E	5001253	Headlight R25/3 complete, without speedometer, black (refurbished original bucket with new parts) high-gloss finished	436,97 €	519,99 €
E065F	00033	Repairplate contactdisk/lamp R25-R75/5	20,97 €	24,95 €
E066A	48116	Ignition key R25, R25/2, R51/2-R68 ->'53, black	10,04 €	11,95 €
E066B	8014	Ignition key R25/3-R75/5	6,01 €	7,15 €
E066c	48111	Ignition key R24 "Hella"-shape	10,00 €	11,90 €
E067	48119	Ignition key, metal, R25/3-R75/5	5,80 €	6,90 €
E067A	48117	Ignition key R25, R25/2, R51/2-R68->'53 metal	10,00 €	11,90 €
E068A	48129	Indicator control lens neutral for BMW-models until year of manufacture 1954, green true to original	9,66 €	11,50 €
E068B	5013	Ignition control lense red/green for BMW R25/3-R69S	14,03 €	16,70 €
E068C	48131	Indicator control lens driving light for BMW R50/5, R60/5 and R75/5, blue	9,66 €	11,50 €
E068D	48135	Ignition control lense red, years 1950-1954	13,19 €	15,70 €
E069	48128	Ignition control lense gasket for BMW R25/3-R69S for the red/green ignition control lense (articelnr. 5013)	1,93 €	2,30 €
E070A	0000001	Screw M3x4 flat head, cinced for controllight-assembly	0,21 €	0,25 €
E070A	8048129	Bulb holder for red/green lens for BMW R25/3-R69S, original metal-version	16,72 €	19,90 €
E070B	0000002	Screw m 3x5 flat head, cinced for controllight-assembly	0,21 €	0,25 €
E071	8048161	Dimmer switch mechanical for BMW R25, R51 (1938) for clutch control black	57,98 €	69,00 €
E071B	48183	Direction indicator switch for BMW R27-R69S, black REMNANTS !	58,78 €	69,95 €
E071C	20013	Lightswitch (HiLo switch), universal with horn button chromed	9,41 €	11,20 €
E071D	20014	Direction indicator switch universal with clamp chromed	10,76 €	12,80 €
E071E	48163	Lightswitch, Bosch-form chromed	80,25 €	95,50 €
E071G	19360	Grommet light switch (Bosch-shape)	2,02 €	2,40 €
E071H	48182	Direction indicator switch, original shape, to hinge in the armature chromed	80,25 €	95,50 €
E071J	30441	Indicator-switch adaptor, R 26-R69	4,77 €	5,68 €
E071K	8402540	Screw M2.5x4, cylinder head with slot e.g. for light and indikator switch	0,80 €	0,95 €
E072A	40110	Round switch bracket 1960->	18,49 €	22,00 €
E072B	07450	Screw for switch bracket, lateral	1,64 €	1,95 €
E072C	0007451	Screw for switch bracket, centric	0,25 €	0,30 €
E073A	3001	Contact plate for BMW R25/3-R69S	97,14 €	115,60 €
E073B	48176	Contact plate for BMW R25-R25/2 and R51/2-R68 for electric dip-switch	97,14 €	115,60 €
E073C	48154	Fuse holder R25-/2, R51/2-68, headlight	15,13 €	18,00 €
E073E	99135	Ignition control lense red for BMW R24 for Hella ignition lock (3 screws)	10,08 €	12,00 €
E074A	48179	Bulb holder for BMW R24-R69S for Bosch-reflector	14,20 €	16,90 €
E074B	80130	Bulb holder single-pole for position light with H4, socket BA9S	3,28 €	3,90 €



E075	50160	Bulb holder-clip for BOSCH-reflector	1,90 €	2,26 €
E076	9013	Ignition cover slide R25/3-R75/5	3,70 €	4,40 €
E077A	6013	Cover for ignition switch set complete with spring and sliding cover	16,97 €	20,19 €
E077B	48189	Cover for ignition switch, single	12,61 €	15,01 €
E078	48191	Spring for ignition cover slide	1,05 €	1,25 €
E079A	2013	Chrome rim for BMW R24-R69S, Head light	16,81 €	20,00 €
E079B	92013	Chrome rim for BMW R24, Hella shape, Headlight	18,07 €	21,50 €
E079C	20131	Chrome rim for BMW R24-R69S, Head light with Logo	27,52 €	32,75 €
E080	50185	Screw for headlight chrome rim	0,21 €	0,25 €
E081A	8007	Lens, headlight R24-69S	24,33 €	28,95 €
E081B	11013	Headlight lens "H4" for BMW R24-R69S and R45/R65 until year of manufacture 09/1984, ZEV	10,00 €	11,90 €
E081B	5603004	Lens, headlight R24-69S, BOSCH Old-Style	24,33 €	28,95 €
E081C	12013	Headlight lens "H4" for BMW R24-R69S and R45/R65 until year of manufacture 09/1984, Bosch	22,65 €	26,95 €
E082	1007	Headlight lens gasket for BMW R24-R75/5, front	1,85 €	2,20 €
E083	48181	Headlight clip	0,50 €	0,60 €
E084A	50181	Headlight reflector R24-69S	18,49 €	22,00 €
E084C	08018	H4-plug base, also as indicator plug base for BMW R50-R100	6,22 €	7,40 €
E086	2008	Grommet, wiring harness/shell R24-69S	0,97 €	1,15 €
E087A	70199	Grommet lightswitch/shell R25/2-69S	0,63 €	0,75 €
E087B	70188	Grommet horn/headlight R 25/3	0,76 €	0,90 €
E087C	9009	Rubber plug, blinker wire/headlight R26-R69S	0,88 €	1,05 €
E088	19007	Grommet, speedocable/headlight R24-69S	1,64 €	1,95 €
E089	1013	Ignition lock assembly R25-75/5	37,73 €	44,90 €
E089B	48110	Ignition-lock R24, Hella-type (WITH key, WITHOUT bulbs)	125,97 €	149,90 €
E090A	190031	Wiring harness, lights/indicator switch for BMW R25/2-R27 and R51/3-R69S 3mm eyes, chrom plated	8,53 €	10,15 €
E090AA	1900311	Wiring harness, lights/indicator switch for BMW R27, R50/2, R60/2 and R69S 2,5mm eyes, black	7,98 €	9,50 €
E090B	4035	Wire, four-core, black price per meter	1,72 €	2,05 €
E090C	4036	Wire, three-core, black price per meter	1,55 €	1,85 €
E090C	8351101	Wire, two-core, black price per meter	1,39 €	1,65 €
E099	50134	Headlight washer stainless steel, polished	3,32 €	3,95 €
E100	8008	Headlight rubber round (washer) (you need 4 pcs for one Headlight!)	1,26 €	1,50 €
E101	50138	Spacer rubber for headlight ear	1,68 €	2,00 €
E102A	13661	Headlight bolt stainless steel, polished	2,52 €	3,00 €
E103	10062	Bulb 6 Volt, 60/55 Watt, Halogen-H4, socket P45T car-socket	13,36 €	15,90 €
E103A	1005	Bulb 6 Volt, 35/35 Watt, socket BA20D	6,64 €	7,90 €
E103AA	78007	Bulb 6 Volt, 45/40 Watt, socket BA20D	6,64 €	7,90 €
E103AB	58148	H4-Headlight insert for BMW R24-R69S WITH 6V, 35/35W bulb	41,93 €	49,90 €
E103B	64185	Bulb 12 Volt, 35/35 Watt, socket BA20D	6,30 €	7,50 €
E103BA	6011	H4-Headlight insert for BMW R24-R69S, R50/5-R75/5, R45 and R65, "plastic-reflector", WITHOUT bulb with bulb-holder and spring	28,49 €	33,90 €
E103BA	6316011	H4-Headlight insert for BMW R24-R69S, R50/5-R75/5, R45 and R65, "metal-reflector", WITHOUT bulb with bulb-holder and spring	28,49 €	33,90 €
E103C	10060	Bulb 6 Volt, 35/35 Watt, Halogen-H4, socket PX43T	11,18 €	13,30 €
E103D	78006	Bulb 12 Volt, 35/35 Watt, Halogen-H4, socket PX43T	7,52 €	8,95 €
E103E	1006	Bulb 6 Volt, 60/55 Watt, Halogen-H4, socket P43T	13,36 €	15,90 €
E103G	1354619	Bulb 12 Volt, 60/55 Watt, Halogen-H4, socket P43T	5,00 €	5,95 €
E103H	10063	Bulb 6 Volt, 25/25 Watt, Halogen-H4, socket BA20D	11,18 €	13,30 €
E103I	10061	Bulb 6 Volt, 35/35 Watt, Halogen-H4, socket BA20D	12,56 €	14,95 €
E103J	1006112	Bulb 12 Volt, 35/35 Watt, Halogen-H4, socket BA20	12,56 €	14,95 €
E104A	2005	Bulb 6 Volt, 2 Watt, socket BA7S e.g. speedo-light	0,97 €	1,15 €
E104A	2005001	Bulb 6 Volt, LED, socket BA7S, white e.g. speedo-light original speedo	2,35 €	2,80 €
E104B	20051	Bulb 6 Volt, 2 Watt, socket BA9S e.g. controll-light, sidelight	0,97 €	1,15 €
E104Ba	2005102	Bulb 6 Volt, LED, socket BA9S, green e.g. control-light	2,35 €	2,80 €
E104Bb	2005103	Bulb 6 Volt, LED, socket BA9S, red e.g. control-light	2,35 €	2,80 €
E104Bc	2005101	Bulb 6 Volt, LED, socket BA9S, white e.g. side-light	2,35 €	2,80 €
E104C	99105	Bulb 6 Volt, LED, Cup-shape for BMW R24	5,46 €	6,50 €
E104D	89001	Bulb 12 Volt, 102/2 Watt, socket BA7S e.g. speedo	0,97 €	1,15 €
E104E	78243	Bulb 6 Volt, 4 Watt e.g. sidelight	0,97 €	1,15 €
E104F	99501	Bulb 12 Volt, 2 Watt, socket BA9S	0,97 €	1,15 €
E104G	99504	Bulb 12 Volt, 4 Watt e.g. position light	0,97 €	1,15 €
E104H	78242	Bulb 6 Volt, 3 Watt e.g. sidelight	0,97 €	1,15 €
E106A	1012	Horn 6 Volt for BMW R24-R69S chromed	12,77 €	15,20 €
E106AA	46015	Horn 6 Volt for BMW R24-R69S black painted	12,77 €	15,20 €
E106B	2072	Horn 12 Volt, Ø 100mm chromed	12,77 €	15,20 €
E112A	6005	Brake light switch, years of manufacture 09/1954-09/1980, rear	5,76 €	6,85 €



E112AA	8070184	Mounting plate for brake light switch article nr. 6005 for BMW R24-R25/3 and R51/2	12,56 €	14,95 €
E112B	7005	Brake light switch with spring to refit	7,48 €	8,90 €
E112D	8005	Cover cap for Brake light switch, rear	1,51 €	1,80 €
E116	54121	Lense, license-plate for BMW R26, R27 and R50-R69S	3,84 €	4,57 €
E117	948183	Taillight lens gasket R26-69S, 09/58->	1,43 €	1,70 €
E118	3016	Chrome rim taillight for BMW R27, R50/2, R60/2 and R69S	11,26 €	13,40 €
E119	54127	Taillight clip	0,50 €	0,60 €
E120	54130	Bulb holder tail-light for BMW R27-R69S	22,98 €	27,35 €
E121	54131	Bulb holder spring taillight for BMW R27-R69S	1,30 €	1,55 €
E122	54133	Taillight reflector R27-69S	13,95 €	16,60 €
E124	54136	Lens, taillight R26-R69S 09/58->	8,57 €	10,20 €
E124A	8054135	Lens, taillight R26-R69S 09/58->, Hella	20,88 €	24,85 €
E125A	54111	Taillight R27-69S "big"	102,23 €	121,65 €
E125B	54118	Taillight housing R27-60/2 black	51,18 €	60,90 €
E126	88552	Grommet taillight, ->69S	0,46 €	0,55 €
E127	43809	Taillight gasket R26-69S (fender)	0,97 €	1,15 €
E128A	3005	Bulb 6 Volt, 21/5 Watt	2,06 €	2,45 €
E128AA	3005001	Bulb 6 Volt, LED, socket BAY15D, red/white, small and big Hella Taillight replaces 21/5 Watt bulb	12,14 €	14,45 €
E128B	78381	Bulb 12 Volt, 21/5 Watt, socket BA15D	2,10 €	2,50 €
E129	2005201	Bulb 6 Volt, LED, socket BA15S, white alternative for 5 Watt to 21 Watt wire-bulb	4,96 €	5,90 €
E129A	99506	Bulb 6 Volt, 5 Watt, socket BA15 e.g. license plate illumination	1,43 €	1,70 €
E129B	99505	Bulb 12 Volt, 5 Watt e.g. license plate illumination	1,39 €	1,65 €
E135B	2006	Bar end indicator, Hella (Bull's eye) aluminium polished	47,98 €	57,10 €
E135C	54159	Bar end indicator with 6V bulb and cable aluminium polished	24,54 €	29,20 €
E136A	4005	Bulb 6 Volt, 18 Watt, festoon-bulb e.g. handlebar indicator (Ochsenaugen)	1,85 €	2,20 €
E136B	99503	Bulb 12 Volt, 18 Watt, festoon-bulb	1,85 €	2,20 €
E136B	4005111	Bulb 6 Volt, LED, festoon-bulb 45mm, for handlebar indicator – only suitable with the electronic relay!	8,32 €	9,90 €
E136C	20052	Bulb 6 Volt, 18 Watt, bowl-bulb, socket: round 15mm e.g. for brake light	1,85 €	2,20 €
E136C	4005002	Bulb 6 Volt, LED, festoon-bulb, red 42mm, e.g. "Eber"-taillight	3,95 €	4,70 €
E136CC	2005201	Bulb 6 Volt, LED, socket BA15S, white alternative for 5 Watt to 21 Watt wire-bulb	4,96 €	5,90 €
E136CD	2125201	Bulb 12 Volt, LED, socket BA15S, white alternative for 5 Watt to 21 Watt wire-bulb	4,37 €	5,20 €
E136CE	2125202	Bulb 12 Volt, LED, socket BAY15D, red e.g. taillight, replaces 21/5 Watt bulb	10,46 €	12,45 €
E136D	99502	Bulb 12 Volt, 21 Watt, socket BA15S ball-bulb	1,39 €	1,65 €
E136D	4005001	Bulb 6 Volt, LED, festoon-bulb, white 42mm, e.g. "Eber"-taillight	3,95 €	4,70 €
E137A	2011	Bar end indicator lens, "E" approved	6,81 €	8,10 €
E137B	98102	Screw M3x12 for bar end indicator lens	0,08 €	0,10 €
E144A	1011	Indicator relay 6V, electronic, also for LED-bulbs also only for 2 barend indicator (green=15, red=49A)	17,65 €	21,00 €
E144A	9991011	Indicator relay 6V, electronic NOT for LED-bulbs	22,31 €	26,55 €
E144B	5009	Indicator relay 12V, electronic, for bar-end indic. - Ochsenaugen	17,65 €	21,00 €
E147A	70109	Male plug 90° angle	8,32 €	9,90 €
E147A	70110	Male plug, straight	4,96 €	5,90 €
E147B	70111	Female plug for sidecar electrics	6,68 €	7,95 €
E147C	7012	Groundconnection for female plug	1,85 €	2,20 €
E147D	7014	Cover hinged for female plug	2,94 €	3,50 €
E147E	90081	Rubber plug for frame socket hole below drivers seat	1,43 €	1,70 €
E148	50508	Wiring connector 12pc. 6.0	1,85 €	2,20 €
E148	50507	Wiring connector 12pc. 2.5	1,68 €	2,00 €
E149	80082	Speedo 0-120Mph, W:1,23, R50-69S (25:8)	99,16 €	118,00 €
E149A	80020	Speedo 0-120 km/h, W: 1.05	99,16 €	118,00 €
E149B	0080033	Speedo 0-140 km/h, W:1.0 black dial plate	83,99 €	99,95 €
E149BA	80034	Speedo 20-140km/h, W:1,0	99,16 €	118,00 €
E149C	80027	Speedo 0-140 km/h, W. 1.08	99,16 €	118,00 €
E149D	80058	Speedo 0-160Km/h W:0.75, ->60	99,16 €	118,00 €
E149DA	80059	Speedo 20-160Km/h W:0.75, 60->	99,16 €	118,00 €
E149E	80045	Speedo 0-160 km/h, W: 0.95	99,16 €	118,00 €
E149F	80043	Speedo 0-120Km/h W: 1,15	99,16 €	118,00 €
E149G	80076	Speedo 20-200, W: 0.75	99,16 €	118,00 €
E149H	080066	Speedo 0-140 km/h, W: 0.9	99,16 €	118,00 €
E149J	181010	Speedo 0-160, W:1.0, prewar models, no logo neutral dial	76,68 €	91,25 €
E149JC	80006	Speedo VDO, all types, rebuilt	126,05 €	150,00 €
E149JCD	0800881	Speedo VDO 20-180 km/h, W:0,86, R50S	161,51 €	192,20 €
E149JCE	0800885	Speedo VDO 20-200 km/h, W:0.715	151,26 €	180,00 €
E149JJ	10022	Bag set Hepco & Becker, Junior, 40 liters	1,68 €	2,00 €
E149N	80150	Revolution counter for BMW R50-R69S until year of manufacture 05/1965, 1:4	100,84 €	120,00 €



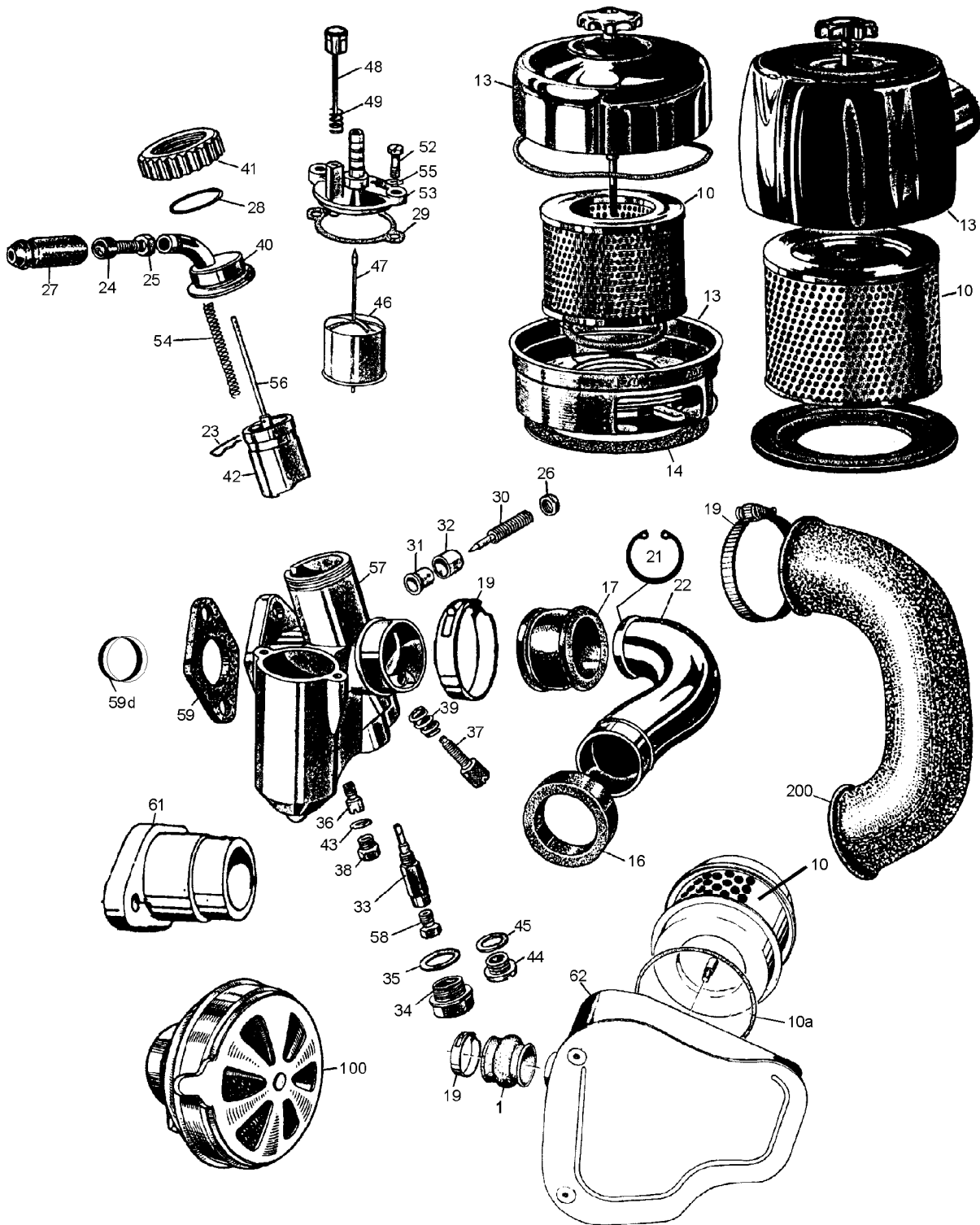
E149NA	80151	Revolution counter for BMW R50-R69S from year of manufacture 06/1965, 1:2 for camshaft drive	100,84 €	120,00 €
E149NB	80154	Revolution counter cable for BMW R50-R69S, long connected at oil pump	18,40 €	21,90 €
E149NC	0080092	Chrome rim revolution counter for BMW R50-R69S with rubber gasket	12,35 €	14,70 €
E149NC	8080154	Revolution counter cable for BMW R50/2-R69S, short connected at camshaft until year of manufacture 06/1965	24,54 €	29,20 €
E149XA	120021	Chrome rim for speedo for BMW R24-R69S (Veigel) with rubber gasket and for our remanufactured speedos	12,52 €	14,90 €
E149XB	80090	Chrome rim for speedo for BMW R24-R69S with rubber gasket high for VDO speedos	13,19 €	15,70 €
E150A	1016	Speedo cable R26/27, R50-R69S, R50/5-> small fixture diameter	11,26 €	13,40 €
E150B	2016	Speedo cable R24-25/3, R51/3-68 big fixture diameter	11,26 €	13,40 €
E150C	97020	Speedometer cable pre-war	15,08 €	17,95 €
E151	80160	Grommet for speedocable/gearbox	1,43 €	1,70 €
E152	80115	Gasket ring for BMW R24-R69S (O-Ring between speedo and shell) and gasket indicator glas for BMW R50/5 and up	1,09 €	1,30 €
E153	80084	Speedo clamp, all models ->69S	1,93 €	2,30 €
E154	22110	Speedo nut	0,97 €	1,15 €
E156	3011	Bulb holder single-pole, for BMW R24-R69S for VDO-Speedos, socket BA7S and R50/5-R75/5 main beam warning light	3,61 €	4,30 €
E300	1900301	Wiring harness, brakelight/neutralswitch for BMW R25, R25/2 and R25/3	15,04 €	17,90 €
E300A	4030	Wiring harness for BMW R24-R26	38,65 €	45,99 €
E300B	3030	Wiring harness for BMW R27	47,48 €	56,50 €
E300C	66035	Wiring harness for BMW R50-R69S, 6 Volt	40,76 €	48,50 €
E300D	66015	Wiring harness for BMW R50-R69S, 12 Volt three-phase	51,64 €	61,45 €
E300E	66027	Wiring harness for BMW R51/3-R68, 6 Volt	49,58 €	59,00 €
E300F	190030	Wiring harness, brakelight/neutralswitch for BMW R26 and R27	15,04 €	17,90 €
E300FA	4084518	Rubber rommet for wire harness stoplight / idling of BMW R26 and R27	0,63 €	0,75 €
E300G	66045	Wiring harness for BMW R50-R69S, 12 Volt, direct-current	47,86 €	56,95 €
E300H	8066025	Wiring harness for BMW R51/2	49,58 €	59,00 €
E300i	8066101	Wiring harness, taillight for BMW R25/2-R69S	7,14 €	8,50 €
E301A	9010	Cable tape 150x3,6mm black	0,08 €	0,10 €
E301A	9015	Cable strap 150x3,6mm black	0,13 €	0,15 €
E301B	9017	Cabel strap 200 x 3,6 mm black	0,13 €	0,15 €
E301C	9019	Cable tape 360x7,5mm black	0,42 €	0,50 €
E301D	90190	Cable tape 285 x 4,7	0,17 €	0,20 €
E301D	70232	Clamp, handle bar for BMW R24-R100 (all 22mm handle bars) or frame cross tube, stainless steel	4,62 €	5,50 €
E301E	9019000	Cable tape 300 x 4,6 mm, stainless steel	0,62 €	0,74 €
E309	02172	Generator cover holding angle, Z-shape for BMW R25/3 and R26	11,93 €	14,20 €
E309B	02173	Generator cover holding angle, L-shape for BMW R24, R25 and R25/2 stainless steel	10,00 €	11,90 €
E310A	02112	Generator cover for BMW R24, R25, R25/2, R25/3 and R26 chromed	57,14 €	68,00 €
E310B	02113	Generator cover for BMW R24, R25, R25/2, R25/3 and R26 silver painted	48,74 €	58,00 €
E311A	902100	Generator cover bolt for BMW R24, R25, R25/2, R25/3 and R26	2,94 €	3,50 €
E311B	36102	Generator rubber plug R24, R25, R26	0,67 €	0,80 €
E312	116031	Generator cover for BMW R27	61,30 €	72,95 €
E313	2116	Gasket generator cover for BMW R27	1,64 €	1,95 €
E313a	5031	Timing cover R27 used	100,84 €	120,00 €
E314	02187	Generator cover for BMW R50-R69S, 12V three-phase current	109,16 €	129,90 €
E314B	117031	Generator cover for BMW R51/3-R69S, 6V used	100,00 €	119,00 €
E315	02191	Generator cover nut for BMW R51/3-R69S, hexagon with locking ring, wrench size 10	5,50 €	6,55 €
E315a	9913470	Hex bolt bearing plate 1-cylinder and alternator cover R51/2	0,30 €	0,36 €
E350	2003	Rubber pad for Eber-taillight for BMW R25-R25/3 and R51/2-R68	4,03 €	4,80 €
E351A	1030	Taillight Eber-shape, black, w/brakelight and pad (external orange lens on top)	68,07 €	81,00 €
E351B	1031	Taillight Eber-shape, chrome, w/brakelight and pad	74,37 €	88,50 €
E351C	10328	Bulb holder universal with angle, socket BA15S	4,16 €	4,95 €
E351D	8054111	Taillight R26, R50-69 ->1958, small	66,47 €	79,10 €
E352	2030	Taillight Eber-shape w/brakelight and pad (only one red lens)	74,37 €	88,50 €
E352b	054101	Taillight R24	75,55 €	89,90 €
E353AA	0019003	Lens for "Eber"-taill., red, w/ alum. rim + gasket	14,71 €	17,50 €
E353C	6354111	Taillight lens R26, R50-69, small	6,39 €	7,60 €
E354A	78330	Bulb 6 Volt, 5 Watt, festoon-bulb e.g. Eber-Backlight (driving-light)	1,85 €	2,20 €
E354B	78304	Bulb 12 Volt, 5 Watt, festoon-bulb	1,85 €	2,20 €
E354C	78303	Bulb 6 Volt, 10 Watt, festoon-bulb e. g. Eber-Backlight (breaklight)	1,85 €	2,20 €
E354D	78305	Bulb 12 Volt, 10 Watt, festoon-bulb	1,85 €	2,20 €
E355	99810	Lense, license-plate, "Eber" taillight for BMW R25-R25/3 and R51/2-R68	4,20 €	5,00 €
E356	78306	Brake light lens for "Eber"-light	8,32 €	9,90 €
E357D	42179	Battery supporting rubber inside cover for BMW R26 and R27	2,77 €	3,30 €



E360	1052	Headlight guard for BMW R24-R75/5 chromed	16,72 €	19,90 €
E361A	9910521	Taillight chrome guard for BMW R26-R69S from year of manufacture 09/1958 stainless steel	29,33 €	34,90 €
E370	30000	Ignition coil 6V, for BMW R24-R26 internal	43,57 €	51,85 €
E371AA	30025	Ignition coil 6V, for BMW R27 and various other motorcycles external, diameter=40mm	23,95 €	28,50 €
E371AB	43910	Ignition coil 12V external, diameter=40mm	23,95 €	28,50 €
E371B	30500	Clamp for ignition coil (40mm)	5,46 €	6,50 €
E373	023399	Contact plate generator for BMW R27	19,41 €	23,10 €
E373	02339	Contact plate generator for BMW R24-R26	19,41 €	23,10 €
E375A	42162	Battery cover for R26 and R27 with alu step-protector black	86,47 €	102,90 €
E375B	42160	Battery cover protection plate for BMW R26 and R27	19,92 €	23,70 €
E375C	42170	Gasket for battery cover for BMW R26 and R27	3,19 €	3,80 €
E375D	92025	Groove pin for steering-lock cover and stepshield for BMW R26, R27 and R50-R100/7	0,42 €	0,50 €
E375E	98470	Clamp ring, clip-on, 4mm	0,25 €	0,30 €
E376	70194	Grommet for wiring harness/generator R24-26	2,10 €	2,50 €
E400	30168	Distributor cap R51/2	25,13 €	29,90 €
E401	80176	Distributor rotor R51, R51/2	20,08 €	23,90 €
E402	02025	Distributor R51/2 and earlier	30,67 €	36,50 €
E403	80177	Distributor gasket R51/2	1,93 €	2,30 €
E500	4009	Diode plate for 12V three-phase traction drive-generator	69,75 €	83,00 €
E501A	19030	Distance ring three-phase dynamo for R27	61,36 €	73,02 €
E501B	02003	Distance ring three-phase dynamo for R50-R69S	92,03 €	109,52 €
E503	99082	Battery pole protection grease, 50g	5,46 €	6,50 €
E600	999401	Check light 6-24 Volt	8,32 €	9,90 €



Group V: Carburetor, airfilter all models 1948-1969



We always need to know the Bing number that is stamped on your carburetor to collect the correct parts.

<u>Picture-No.</u>	<u>Article-No.</u>	<u>Description</u>	<u>Net</u>	<u>Gross</u>
V000	43025	Air filter - wet-type air filter - for BMW R51/2 with throttle flap	75,55 €	89,90 €
V000	0039290	Accelerator pump complete for BMW R27, Isetta (for 1/26/93) REMNANTS !	50,00 €	59,50 €
V000	80009	Covering disk for fuel cock for BMW R25-R69S	0,42 €	0,50 €
V000	39194	Thread insert mixing chamber for BMW R24, R25 and R51/2	4,45 €	5,30 €
V000	42120	Gasket ring hose connector for BMW R25-R27	0,41 €	0,49 €
V000	42122	Gasket ring for BMW R24-R27 Cover nut for BMW R50/5-R60/7, 53er carburetor	0,41 €	0,49 €
V000	7770001	Sticker Knecht Micro Star Airfilterhousing for BMW R69S transparent	5,46 €	6,50 €
V000	0039291	Covernut excelleration - pump R27	10,84 €	12,90 €
V000	0043140	Engine breather filter for BMW R51/3-R69S	19,24 €	22,90 €
V000	0043136	Locking spring for engine breather for BMW R51/3-R69S used	3,19 €	3,80 €
V009	0043151	Air filter base ring for BMW R50S and R69S	33,53 €	39,90 €
V010	1200030	Air filter wired insert R51	70,55 €	83,95 €
V010a	43149	Air filter screw for BMW R26 and R27, short for wet-type air filter cover	12,69 €	15,10 €



V010A	43116	O-ring air filter for BMW R26 and R27	1,85 €	2,20 €
V010A	2048	Air filter insert for BMW R27, R50 and R60 old, small format	9,92 €	11,80 €
V010B	3048	Air filter insert for BMW R50/2, R60/2 and R69S, big format	10,88 €	12,95 €
V012	0043167	Air filter clamping screw for BMW R69S chromed	33,53 €	39,90 €
V013	50314	Air filter housing for BMW R50S and R69S complete with screw and bottom part chromed - WITHOUT inlay and cork gasket	151,26 €	180,00 €
V013	43033	Air filter housing for BMW R50, R50/2, R60 and R60/2 used	134,37 €	159,90 €
V013	3404927	Air filter for BMW R27, metal case black, (WITHOUT air filter insert)	124,37 €	148,00 €
V013A	50315	Air filter housing for BMW R50S and R69S complete with screw and bottom part silver painted - WITHOUT inlay and cork gasket	141,18 €	168,00 €
V014	43118	Cork gasket air filter for BMW R51/3-R69S	2,48 €	2,95 €
V014A	0043152	O-ring air filter for BMW R50-R69	4,16 €	4,95 €
V016A	42164	Air filter rubber for BMW R51/2-R67/3, to gearbox	2,44 €	2,90 €
V016B	43163	Air filter rubber for BMW R50, R50/2, R60 and R60/2, to gearbox	2,44 €	2,90 €
V016C	43165	Air filter rubber for BMW R69 and R69S, gearbox	5,04 €	6,00 €
V017	19016	Air filter rubber for BMW R26 and R27	3,82 €	4,55 €
V017A	20016	Air filter rubber for BMW R50, R50/2, R60 and R60/2, aslant, carb to tube	3,82 €	4,55 €
V017B	21016	Air filter rubber for BMW R51/2-R67/3, straight, to carburettor	3,82 €	4,55 €
V017C	43162	Air filter rubber for BMW R68, R69 and R69S, to carburettor	3,36 €	4,00 €
V019A	00174	Clamp for air filter rubber, R26-R27, R51/3-R67/3, R50-R50/2 to clip, stainless steel, chrome plated	4,37 €	5,20 €
V019B	00176	Clamp for air filter rubber, R26-R27, R51/3-R67/3, R50-R50/2 to screw, zinc-plated (also for headpipe cover as off R50/5)	1,26 €	1,50 €
V019C	9000173	Clamp for air filter rubber for R25/3, R26, R27, R50/5 (clamp with screw)	1,51 €	1,80 €
V019D	039247	Screw M 6 for carburator gripper clamp for BMW R26 und R27 ONLY for old clamp ring!!!	0,88 €	1,05 €
V019E	36968	Screw for carburator clamp	1,93 €	2,30 €
V019F	039231	Gripper clamp, carburetor for BMW R26 and R27	4,12 €	4,90 €
V021	43166	Air filter rubber stop for BMW R68, R69 and R69S	0,63 €	0,75 €
V022A	43174	Intake pipe for BMW R51/3 and R50-50/2, right or left side used - please advice which side and for which Typ of bike!!!	54,62 €	65,00 €
V022B	43178	Intake pipe for BMW R69 and R69S, left side chrome-plated	77,23 €	91,90 €
V022B	43179	Intake pipe for BMW R69 and R69S, right side chrome-plated	77,23 €	91,90 €
V022C	43133	Intake pipe for BMW R68, right side chrome-plated	77,23 €	91,90 €
V022C	43132	Intake pipe for BMW R68, left side chrome-plated	77,23 €	91,90 €
V023A	38049	Jet needle retaining spring for BMW R25/3-R27, R50/2, R60/2 and R69S (for needle with holes)	3,07 €	3,65 €
V023B	39176	Jet needle retaining spring for BMW R25, R51/2-R68 and R50-R69S (needle with slot)	0,63 €	0,75 €
V024A	39178	Throttle adjusting screw M 6, long for BMW R24-R25/3, R50-R69S and R50/5-R60/7	1,93 €	2,30 €
V024B	39180	Throttle adjusting screw M 6, short (carburettor) for BMW R24-R25/2 and R27	1,81 €	2,15 €
V024C	39113	Throttle adjusting screw M 5 for pipe elbow for BMW R26 and R27	2,23 €	2,65 €
V025	39182	Nut M 6 for throttle adjusting screw	0,46 €	0,55 €
V026	39184	Nut M 7 for mixture regulating screw and lock nut for elbow tube	0,42 €	0,50 €
V027A	42111	Grommet for throttle cable on carburettor, large	1,51 €	1,80 €
V027B	42112	Grommet for throttle cable on carburettor, small, for BMW R24-R27	1,51 €	1,80 €
V028A	42149	O-ring carburator top for BMW R51/3-R69S	1,26 €	1,50 €
V029A	42150	Gasket float top for BMW R24-R69S	0,84 €	1,00 €
V030A	19049	Mixture regulation screw for BMW R24, short	5,46 €	6,50 €
V030B	18049	Mixture regulation screw for BMW R25-R69S, long	6,64 €	7,90 €
V031	39183	Jacket for mixture regulating screw for BMW R24-R69S	2,10 €	2,50 €
V032	39185	Cap for mixture regulating screw for BMW R25/3-R27 and R51/3-R69S	2,02 €	2,40 €
V033A	17049	Needle jet #1208	13,82 €	16,45 €
V033B	17050	Needle jet #1308	13,82 €	16,45 €
V033C	17051	Needle jet #1408	13,82 €	16,45 €
V033D	17052	Needle jet #1708	13,82 €	16,45 €
V033E	17053	Needle jet #2108	13,82 €	16,45 €
V033F	039134	Jet holder for BMW R24, 1/22/27 carburator	10,23 €	12,17 €
V034A	39197	Locking screw for needle jet ->R69S (except R25/3)	6,30 €	7,50 €
V034B	39199	Locking screw for needle jet R25/3	2,77 €	3,30 €
V034D	39192	Carburator nut, fuel inlet 1-cylinder	7,14 €	8,50 €
V035A	42130	Gasket ring for jets cover screw for all BMW models EXCEPT for BMW R24	0,50 €	0,60 €
V035B	42116	Gasket ring jet holder for BMW R24	0,49 €	0,58 €
V036	39120	Idle jet #50, slotted	4,16 €	4,95 €
V036	39117	Idle jet #35, slotted	4,16 €	4,95 €
V036	39119	Idle jet #45, slotted	4,16 €	4,95 €
V036	39118	Idle jet #40, slotted	4,16 €	4,95 €
V036	39121	Idle jet #55, slotted	4,16 €	4,95 €
V037A	39527	Carbuator slide adjuster screw R50-69S, R25/3	2,77 €	3,30 €



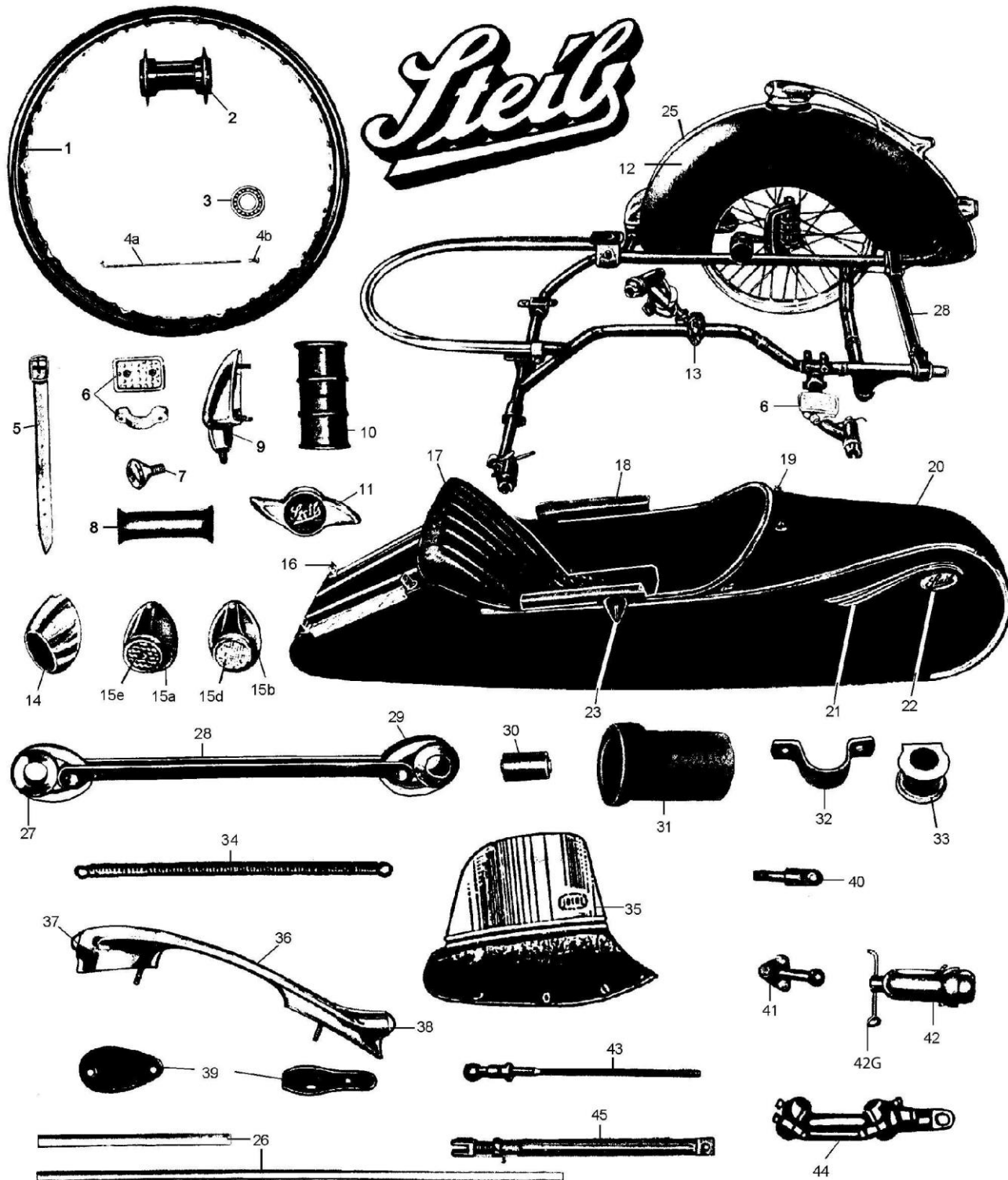
V037B	39282	Slide adjusting screw R26/27	3,45 €	4,11 €
V037C	39527	Carbuator slide adjuster screw R50-69S, R25/3	2,77 €	3,30 €
V038	39196	Locking screw for idle jet	3,61 €	4,30 €
V039A	39170	Spring for slide adjusting screw, R25-25/3, R51/3	1,30 €	1,55 €
V039B	39171	Spring for slide adjusting screw R26-69S	0,84 €	1,00 €
V040B	39108	Slide cover tube R25/3, R51/3-R69S	12,52 €	14,90 €
V040C	39223	Carurettor top R26/27 (pin have to be cut), w/out cable tube	12,23 €	14,55 €
V040D	39179	Slide cover tube R26/27	12,19 €	14,51 €
V041A	13049	Slide cover nut R25, R25/2, R25/3	16,39 €	19,50 €
V041C	14049	Slide cover nut R51/3-69S, R50/5-R60/7	16,39 €	19,50 €
V042A	2049	Carburettor slide R25, 51/3	41,89 €	49,85 €
V042B	3049	Carburettor slide R25/3-R60 (27mm diameter)	41,89 €	49,85 €
V042C	4049	Carburator slide R26/27	25,63 €	30,50 €
V042E	5049	Carburettor slide R51/3-69S, new version (30mm diameter)	32,86 €	39,10 €
V043	42126	Gasket ring for idle jet lock screw for BMW R25-R69S	0,55 €	0,65 €
V044A	39195	Carburator cover nut for BMW R51/3-R69S, 24mm	5,80 €	6,90 €
V044B	39198	Carburator nut for BMW R25, R51/3-R69 old fits for 22er carburetors, 16mm	6,64 €	7,90 €
V045A	42134	Gasket ring cover srew (Ø=16mm) for BMW R25 (22er carburator) and R51/3-R69S, old	0,55 €	0,65 €
V045B	42135	Gasket ring cover srew (Ø=24mm) for BMW R51/3-R69S for 24Ø and 26Ø BING carburator	0,55 €	0,65 €
V046A	8049	Float 7gr.	37,77 €	44,95 €
V046B	9049	Float 11gr	37,77 €	44,95 €
V047A	52178	Float guide R50/2-69S, new version	1,89 €	2,25 €
V047B	15049	Float needle R 24-27	5,46 €	6,50 €
V047C	16049	Float needle R51-R69S, old style (centre inlet)	5,84 €	6,95 €
V047D	51397	Float needle R50/2-R69S new style (offset inlet)	6,05 €	7,20 €
V047DA	52179	Float valve washer	2,27 €	2,70 €
V048A	39161	Carburettor tickler R24-R27	4,87 €	5,80 €
V048B	39260	Carburettor tickler R51/3-R69S	5,00 €	5,95 €
V048C	52177	Carburettor tickler R51/3, R50-69S, new version, 18mm	3,95 €	4,70 €
V048D	54911	Carburettor tickler R50/5-R60/6 ->74	4,96 €	5,90 €
V049A	39164	Carburettor tickler spring R25-69S	0,59 €	0,70 €
V049B	54912	Carburettor tickler spring R50/5-R60/6 ->74	0,56 €	0,67 €
V050	39165	Carburettor tickler pin	0,34 €	0,40 €
V051	39262	Washer for carburettor tickler	0,25 €	0,30 €
V052	39156	Float top screw R25-69S	3,53 €	4,20 €
V053A	52176	Float cover R25-R27, complete for BING-carburettor	18,48 €	21,99 €
V053A	2052176	Float cover R25-R27, complete for BLITZ-carburettor	18,48 €	21,99 €
V053B	11049	Float cover R51/2-R69S, complete for BING-carburettor, old type	21,84 €	25,99 €
V053C	12049	Float cover R51/2-R69S, for BING-carburettor, new version with side valve	54,62 €	65,00 €
V053D	51395	Float valve lever 51/3-69S, new version	1,47 €	1,75 €
V053E	51396	Float valve lever axle	1,19 €	1,42 €
V054A	7049	Carburettor slide spring R25-R25/3, R51/3	1,01 €	1,20 €
V054B	6049	Carburettor slide spring R26/27	0,97 €	1,15 €
V054C	39168	Carburettor slide spring R51/3-R60/2 for 24mm carburettor	1,09 €	1,30 €
V054CC	0039169	Carburettor slide spring R68, R69, R69S for 26mm carburettor	1,09 €	1,30 €
V055	39193	Lock washer for float-chamber screw for BMW R24-R69S	0,25 €	0,30 €
V056A	24049	Jet needle for BMW R25, R25/2, R51/2 and R51/3 (22er-carburator)	7,14 €	8,50 €
V056B	23049	Jet needle for BMW R25/3 (1/24/.. Bing-careburator)	8,61 €	10,25 €
V056C	22049	Jet needle for BMW R26, R27, R51/3-R67 and R50-R60/2 1/24/.. and 1/26/.. carburators	12,52 €	14,90 €
V056D	39049	Jet needle for BMW R69S "new system"	9,37 €	11,15 €
V056E	39274	Jet needle for BMW R50S, R68, R69 and R69S "old system"	5,21 €	6,20 €
V056F	39174	Jet needle for BMW R67/2 and R67/3 (1/24/..-carburator)	2,86 €	3,40 €
V057A	39004	Blitz-Carburetor for BMW R25 and R25/2 conversion-kit complete	190,50 €	226,70 €
V057B	30049	Blitz-Carburetor for BMW R25/3 conversion-kit complete	190,50 €	226,70 €
V057C	28049	Blitz-Carburetor for BMW R26 and R27 conversion-kit complete	190,50 €	226,70 €
V057D	26049	Carburettor R50-50/2, LH replacement for R60/R60/2	545,38 €	649,00 €
V057DA	39251	Carburettor R50-50/2, RH replacment for R60/R60/2	545,38 €	649,00 €
V057E	29049	Carburettor R51/2./3, R67, LH	545,38 €	649,00 €
V057EA	39210	Carburettor R51/2./3, R67, RH	545,38 €	649,00 €
V057F	27049	Carburettor, R69S, LH	545,38 €	649,00 €
V057FA	39253	Carburettor R50S, R69S, RH	806,72 €	960,00 €
V058A	39249	Main jet, hexagon, # 180	4,87 €	5,80 €
V058A	39250	Main jet, hexagon, # 185	4,87 €	5,80 €
V058A	39252	Main jet, hexagon, # 190	4,87 €	5,80 €
V058A	13176	Main jet, hexagon, #176	4,87 €	5,80 €



V058A	13178	Main jet, hexagon, # 178	4,87 €	5,80 €
V058A	39232	Main jet, hexagon, # 95	4,87 €	5,80 €
V058A	39233	Main jet, hexagon, # 100	4,87 €	5,80 €
V058A	39234	Main jet, hexagon, # 105	4,87 €	5,80 €
V058A	39235	Main jet, hexagon, #110	4,87 €	5,80 €
V058A	39236	Main jet, hexagon, # 115	4,87 €	5,80 €
V058A	39237	Main jet, hexagon, # 120	4,87 €	5,80 €
V058A	39238	Main jet, hexagon, # 125	4,87 €	5,80 €
V058A	39239	Main jet, hexagon, # 130	4,87 €	5,80 €
V058A	39240	Main jet, hexagon, # 135	4,87 €	5,80 €
V058A	39241	Main jet, hexagon, # 140	4,87 €	5,80 €
V058A	39242	Main jet, hexagon, # 145	4,87 €	5,80 €
V058A	39243	Main jet, hexagon, # 150	4,87 €	5,80 €
V058A	39244	Main jet, hexagon, # 155	4,87 €	5,80 €
V058A	39245	Main jet, hexagon, # 160	4,87 €	5,80 €
V058A	39248	Main jet, hexagon, # 175	4,87 €	5,80 €
V058A	39247	Main jet, hexagon, # 170	4,87 €	5,80 €
V058A	39246	Main jet, hexagon, # 165	4,87 €	5,80 €
V058A	39231	Main jet, hexagon, # 90	4,87 €	5,80 €
V058B	39131	Main jet, slotted, # 90	4,16 €	4,95 €
V058B	39132	Main jet, slotted, # 95	4,16 €	4,95 €
V058B	39133	Main jet, slotted, # 100	4,16 €	4,95 €
V058B	39134	Main jet, slotted, # 105	4,16 €	4,95 €
V058B	39135	Main jet, slotted, # 110	4,16 €	4,95 €
V058B	39136	Main jet, slotted, # 115	4,16 €	4,95 €
V058B	39137	Main jet, slotted, # 120	4,16 €	4,95 €
V058B	39138	Main jet, slotted, # 125	4,16 €	4,95 €
V058B	39139	Main jet, slotted, # 130	4,16 €	4,95 €
V058B	39140	Main jet, slotted, # 135	4,16 €	4,95 €
V058B	39141	Main jet, slotted, # 140	4,16 €	4,95 €
V058B	39142	Main jet, slotted, # 145	4,16 €	4,95 €
V058B	39143	Main jet, slotted, # 150	4,16 €	4,95 €
V058B	39144	Main jet, slotted, # 155	4,16 €	4,95 €
V058B	39145	Main jet, slotted, # 160	4,16 €	4,95 €
V058C	039144	Main jet for BMW R24, # 105, long	7,14 €	8,50 €
V058C	039142	Main jet for BMW R24, # 95, long	7,14 €	8,50 €
V058C	039143	Main jet for BMW R24, # 100, long	7,14 €	8,50 €
V058C	039145	Main jet for BMW R24, # 110, long	7,14 €	8,50 €
V059	42146	Flange gasket Carburator for BMW R25-R25/3 and R51/2-R60/2, Ø=24mm	4,41 €	5,25 €
V059B	9032	Flange gasket Carburator for BMW R26 and R27	4,41 €	5,25 €
V059C	42147	Flange gasket Carburator for BMW R50S, R68, R69 and R69S, Ø=28mm	4,41 €	5,25 €
V059D	43168	Centering bushing carburettor for BMW R69S	4,12 €	4,90 €
V059D	9942146	Flange gasket Carburator for BMW R25, R25/2 and R25/3 for Blitz-Carburator, Ø=26,5mm	4,41 €	5,25 €
V061A	39103	Carburettor flange R26/27, long	19,24 €	22,90 €
V061B	39104	Short flange R26/27 for replacement carburettor	19,75 €	23,50 €
V062B	32032	Air filter housing for BMW R26 and R27 used, new coated, black	109,16 €	129,90 €
V100A	1049	Air filter for BMW R24, R25 and 25/2, metal case with air slider	60,50 €	72,00 €
V100B	34049	Air filter for BMW R25/3, modern filter technic black	18,49 €	22,00 €
V10a	43147	Air filter screw for BMW R27, long for dry-type air filter-Deckel, stainless steel	14,92 €	17,75 €
V200B	43108	Air filter rubber for BMW R25/3	9,20 €	10,95 €
V202	35016	Carburator boot	4,96 €	5,90 €
V203	90140	Tool for carburettor	5,01 €	5,96 €
V300A	39000	Gasket set for Carburettor for BMW R24-25/3 (bing carbs) ONLY for original BING Carburettors	4,62 €	5,50 €
V300B	39003	Gasket set for Carburettor for BMW R26 and R27	4,20 €	5,00 €
V300C	39005	Gasket set for Carburettor for BMW R51/2-R69S	3,36 €	4,00 €
V400	39284	Nut for carburator clamp for BMW R26, R27 and R50/5-R75/5	0,42 €	0,50 €
V400	39190	Fuel intake flange, carb R25, R25/2, R25/3, R26, R27	12,52 €	14,90 €
V400	39126	Mixing chamber insert #3 for BMW R24	22,69 €	27,00 €
V400	39127	Mixing chamber insert #5 for BMW R25 and R51/2-R68	22,69 €	27,00 €
V401	39191	Fuel intake flange, carb R 25/3-27 used	3,28 €	3,90 €



Group Z: Sidecar spare parts



<u>Picture-No.</u>	<u>Article-No.</u>	<u>Description</u>	<u>Net</u>	<u>Gross</u>
Z000	9810219	Front bumper mount LS200 sidecar LH steel, zink plated	56,22 €	66,90 €
Z000	60020	Luggage rack for side car STEIB S500 and S501	294,03 €	349,90 €
Z000	10224	Hand grip for sidecar STEIB TR500, polished aluminium	41,01 €	48,80 €
Z000	9810213	Front bumper mount LS200 sidecar RH Alloy polished	50,34 €	59,90 €
Z000	98001	Sidecar TR500, new	€	€
Z000	98002	Sidecar LS200, new	€	€
Z000	98480	Boat mounting cone for sidecar STEIB S350, "Original", 78mm, front drilling 13mm, aluminium conus	17,23 €	20,50 €
Z000	981121	Front bumper LS200 sidecar	75,59 €	89,95 €
Z000	60012	Carpet-set LS200 black, 2-pcs.	44,12 €	52,50 €
Z000	9212311	Inner trim set for sidecar STEIB TR500, black with map pocket	83,95 €	99,90 €
Z000	19711	Eyebolt for sidecar connection for rubber inlay M18 x 1,5mm, length 250mm	43,49 €	51,75 €
Z000	9260011	Sidecar S350, new	€	€



Z000	9020217	Sub-frame for side car for BMW R50/5-R100/7 with connecting clamps and connecting rods	671,43 €	799,00 €
Z000	2200206	Swingarm TR500	180,00 €	214,20 €
Z000	97101	Sidecar S500, new	€	€
Z000	9212360	Inner trim set for sidecar STEIB LS200, black with map pocket	83,95 €	99,90 €
Z000	9260018	Inner trim set for sidecar STEIB S350, red with map pocket	83,95 €	99,90 €
Z000	9260019	Inner trim set for sidecar STEIB S500, black with map pocket	83,95 €	99,90 €
Z000	0981121	Mudguard bumper LS200-S500 sidecar stainless steel, polished	125,97 €	149,90 €
Z000	1022402	Mounting-Screw for hand grip STEIB TR500 stainless steel polished	3,99 €	4,75 €
Z000	6008001	Connection stray bullet type sidecar, diameter 32mm, lengt 270mm	88,23 €	104,99 €
Z000	6008002	Connection stray bullet type sidecar, diameter 24mm, length 270mm	67,14 €	79,90 €
Z000	9260012	Carpet-set S350/500 black, 2-pcs.	44,12 €	52,50 €
Z000	0400272	Clamping bell for spare wheel owners TR500	130,25 €	155,00 €
Z000	9212312	Inner trim set for sidecar STEIB TR500, red with map pocket	83,95 €	99,90 €
Z000	0112005	Hinge/Bolt for boot lid TR500, Steib	22,44 €	26,70 €
Z000	9260017	Inner trim set for sidecar STEIB S500, red with map pocket	83,95 €	99,90 €
Z000	9260016	Inner trim set for sidecar STEIB S350, black with map pocket	83,95 €	99,90 €
Z001	6071	Rim for sidecar, size 1.85x19, 40 holes, chrome (made in Germany)	129,33 €	153,90 €
Z001a	400236	Side car wheel, 19", chrome rim w/out tire	344,45 €	409,90 €
Z001b	400237	Sidecar wheel 18"	344,45 €	409,90 €
Z002A	99801	Wheel hub for sidecar (for M3.5 spokes)	142,02 €	169,00 €
Z002B	99800	Wheel hub for sidecar (for M4 spokes)	142,02 €	169,00 €
Z003	110641	Sidecar-wheel bearing, sealed	9,20 €	10,95 €
Z004	038105	Spoke R24 front, short, chromed, M3.5, w/nipple	1,60 €	1,90 €
Z004A	7044	Spoke R51/2-R68 half hub + sidecar, long, chromed, M4 w/nipple	1,01 €	1,20 €
Z004B	30070	Nipple M4	0,34 €	0,40 €
Z004Bb	0030070	Nipple M4, stainless steel	0,42 €	0,50 €
Z004C	131019	Spoke 19" sidecar wheel, chromed, M3.5, w/nipple	2,02 €	2,40 €
Z005	1043	Leather belt for side car mount	5,46 €	6,50 €
Z006A	400133	Step plate, Steib sidecar	37,14 €	44,20 €
Z006B	400134	Step plate rubber, LS 200	19,24 €	22,90 €
Z007	101144	Conical screw for STEIB sidecar fender aluminium	28,15 €	33,50 €
Z008	200123	Distance pipe fender sidecar for STEIB LS200-S500 narrow version	26,81 €	31,90 €
Z008A	910216	Fender-holder for sidecar STEIB LS200, rear inside thread, replacement for repair	34,40 €	40,94 €
Z008a	0200123	Distance pipe fender sidecar for STEIB TR500 wide version	20,13 €	23,95 €
Z009	10214	Fender-holder for sidecar STEIB LS200, S350, S500 and TR500, front aluminium polished	58,74 €	69,90 €
Z009A	910215	Counterpart for Front Fender-holder for sidecar STEIB LS200-S500 for welding to the frame	49,54 €	58,95 €
Z009B	12155	Rubber pad for fender holder side car	9,66 €	11,50 €
Z010A	20097	Wheel suspension rubber LS200-S500	31,85 €	37,90 €
Z011A	10237	Wing nut for STEIB side car, M18, small	16,36 €	19,47 €
Z011B	10348	Wing nut "Steib", M18, big	31,75 €	37,78 €
Z011E	17044	Wing nut for STEIB side car, M20x1,5 Aluminium	21,60 €	25,70 €
Z012A	200122	Fender for sidecar STEIB LS200-TR500 slim, tin, ground coat, without mounting parts	235,21 €	279,90 €
Z012C	400266	Fender for sidecar STEIB LS200-TR500 glass-fibre reinforced plastic	146,18 €	173,95 €
Z012D	4002661	Fender for sidecar STEIB LS200-TR500, complete incl. Cobra-light, tail light and trim, glass-fibre reinforced plastic	357,90 €	425,90 €
Z012D	2001221	Fender for sidecar STEIB TR500 ground coat, tin, 18cm wide	243,61 €	289,90 €
Z013A	20053	Clamp for sidecar connecting rod, complete	62,94 €	74,90 €
Z013B	20015	Rubber insert for side car strud	6,64 €	7,90 €
Z014A	400246	Sidecar cateye, aluminium, original shape	39,41 €	46,90 €
Z014B	623020	Reflector, red	2,94 €	3,50 €
Z014B	9400247	Rubber pad for aluminium reflector side car	10,00 €	11,90 €
Z014C	400247	Cat eye insert for alu housing of Steib sidecar	8,32 €	9,90 €
Z015A	2030	Taillight Eber-shape w/brakelight and pad (only one red lens)	74,37 €	88,50 €
Z015B	2033	Front-light Eber-shape for sidecar white lens	76,72 €	91,30 €
Z015BB	02033	Taillight Eber-shape for sidecar, rear red lens	76,72 €	91,30 €
Z015C	2003	Rubber pad for Eber-taillight for BMW R25-R25/3 and R51/2-R68	4,03 €	4,80 €
Z015D	19004	Lens for "Eber"-light, white, w/aluminium rim	16,72 €	19,90 €



Z015E	190051	Lens for „Eber“-light, red, s/c position light	9,66 €	11,50 €
Z016	09270	Luggage eyelet for sidecar LS200 and S350 aluminium	15,04 €	17,90 €
Z016a	9213215	Luggage bar for side car STEIB LS200 polished aluminium	27,65 €	32,90 €
Z016b	925006	Trim-set LS200 luggage space	25,13 €	29,90 €
Z016b	9213216	Luggage bar for side car STEIB S350 polished aluminum	27,31 €	32,50 €
Z017A	09700	Seat LS200-S500, foam, red	159,58 €	189,90 €
Z017A	06007	Seat LS200, S350/500, foam, black	145,80 €	173,50 €
Z017B	06008	Seat LS200-S500, spring core, black with white lining	193,19 €	229,90 €
Z017c	60063	Seat TR500 red	226,39 €	269,40 €
Z017D	60064	Seat TR 500 1A, black	210,00 €	249,90 €
Z018A	40082	Armrest for sidecar short, red LS200	14,12 €	16,80 €
Z018A	40080	Armrest for sidecar short, black LS200	14,71 €	17,50 €
Z018Ab	40180	Armrest for sidecar medium, black TR500	13,36 €	15,90 €
Z018Ab	40182	Armrest for sidecar medium, red TR500	13,36 €	15,90 €
Z018B	40083	Armrest for sidecar long, red S350/S500	14,71 €	17,50 €
Z018B	40081	Armrest for sidecare long, black S350/S500	14,71 €	17,50 €
Z019B	2057	High twister-mount for sidecar dust cover	2,27 €	2,70 €
Z019C	2059	Eyelet for sidecar cover, oval, 2-parts	1,26 €	1,50 €
Z019D	2053	Eyelet for sidecar cover, round, 2-parts	0,84 €	1,00 €
Z019E	10337	Side car dust cover mounting nail LS200-S500	4,12 €	4,90 €
Z021	200125	Ornamental tail, LS200	29,33 €	34,90 €
Z022A	200124	Emblem "STEIB" LS200, oval-shape, on the side, front	27,65 €	32,90 €
Z022B	1029	Emblem "STEIB" S350-500, Rosette, round-shape, front	23,49 €	27,95 €
Z022C	10231	Emblem "STEIB" LS200, TR500, round, on the side, front	20,97 €	24,95 €
Z022D	10351	Emblem rubber for STEIB S350 & S500, front	10,00 €	11,90 €
Z023	400302	Wind shield bracket LS200, S350/500	16,72 €	19,90 €
Z024	200226	trim-set LS200 "wave"-shape, Aluminum	41,93 €	49,90 €
Z025	13210	Aluminum decor-set for sidecar fender, when using the "cobra" light	25,13 €	29,90 €
Z025a	13211	Aluminum decor, 2 meter universal	22,65 €	26,95 €
Z026A	200210	Aluminum trim-set LS 350-500 incl. trim for fender!	92,35 €	109,90 €
Z026B	131104	Dual-seat trim holder screw, 12 mm	1,64 €	1,95 €
Z026Ba	1311041	Trim holder screw, 12mm	1,01 €	1,20 €
Z027	10345	Boat holder rubber for sidecar STEIB LS200 and TR500, rear, small	12,52 €	14,90 €
Z028A	121179	Rear bracket for Sidecar LS200	25,13 €	29,90 €
Z028B	121180	Rear bracket for Sidecar TR 500	25,17 €	29,95 €
Z029	38016	Boat holder rubber ring for sidecar STEIB LS200 and TR500, rear	21,51 €	25,60 €
Z030	10346	Metal boot, sidecar crossbar for STEIB LS200 and TR500	7,98 €	9,50 €
Z030A	10349	Rubber boat-holder rear, S350 and 500	6,72 €	8,00 €
Z030B	10350	Rubber boat-holder front, S350 and 500	7,14 €	8,50 €
Z031	10332	Boat holder rubber for sidecar STEIB TR500, front	19,75 €	23,50 €
Z032A	12129	Clamp for sidecar mount LS200,	15,55 €	18,50 €
Z032B	121102	Clamp for sidecar mount TR500, front	29,33 €	34,90 €
Z033A	10311	Boat holder rubber for sidecar STEIB LS200, front	15,34 €	18,25 €
Z033B	43044	Boat holder rubber for sidecar STEIB S250, front (swivel rubber)	83,19 €	99,00 €
Z034	1412	Seat spring LS200, short	7,48 €	8,90 €
Z034A	14121	Seat spring S350, S500 long	7,14 €	8,50 €
Z035	3059	Windshield LS200-S500 complete with mounting parts	142,77 €	169,90 €
Z035B	88901	Windshield set TR500, original shape	214,20 €	254,90 €
Z035C	7059	Windshield TR 500	109,16 €	129,90 €
Z035D	5059	Windshield cover LS200-S500	15,00 €	17,85 €
Z036	400140	Handle light STEIB side car "Kobra" complete with white/red lens and rubber pad	167,98 €	199,90 €
Z037	10324	Handle light side car "Kobra", white lense for side car	9,66 €	11,50 €
Z037A	0010326	Handle light side car "Kobra", orange lense, front for side cars as turn signal lense	12,02 €	14,30 €
Z037B	0010327	Handle light side car "Kobra", orange lense, rear for side cars as turn signal lense	12,02 €	14,30 €
Z038A	10325	Handle light side car "Kobra", red lense with STEIB lettering	9,66 €	11,50 €
Z038B	10326	Bulb holder for Cobra-Light	4,96 €	5,90 €
Z039	10327	Rubber pad set for "Kobra" side car lamp, front and rear, for side cars	19,24 €	22,90 €
Z040A	1062	Sidecar connecting bolt, flat, 12mm for BMW R51/3-R68	15,88 €	18,90 €
Z040B	14044	Sidecar connecting bolt, flat, 13mm for BMW R50-R69S	12,94 €	15,40 €



Z040C	14045	Ballpin 12mm for sidecar connection	15,88 €	18,90 €
Z040D	14046	Ballpin 13mm for sidecar connection	15,88 €	18,90 €
Z041A	400162	Side car ball mount 3.point R25-27	29,33 €	34,90 €
Z041B	15045	Connection for sidecar, 3.point, eyebolt R25-R27	41,93 €	49,90 €
Z042A	40010	Weld-on bell, sidecar connection (without split pin / picot bolt)	65,46 €	77,90 €
Z042B	99900	Weld-on ball for sidecar mount, for 1 Zylinder-frame	23,95 €	28,50 €
Z042C	14047	Ballpin for BMW R25 for sidecar connection, screw-in frame lower bottom	15,04 €	17,90 €
Z042C	99901	Weld-on ball for sidecar mount R51/2-R69S	16,38 €	19,49 €
Z042D	40011	Split pin / picot bolt for sidecar weld-on bell	1,01 €	1,20 €
Z042F	99903	Inner clamp for sidecar connecting bell	16,72 €	19,90 €
Z042G	99905	Pin for sidecar weld-on bell, straight	8,32 €	9,90 €
Z042H	99906	Inner clamb-nut for sidecar connecting bell	8,82 €	10,50 €
Z043A	151113	Engine axle with ball-headed pin and nut for side car use	37,73 €	44,90 €
Z043B	151114	Engine axle with ball-headed pin for side car use, stainless steel	61,26 €	72,90 €
Z044A	60083	Sidecar connection for BMW R25/2 and R25/3, front/upper with eyebolt	92,35 €	109,90 €
Z044B	60082	Sidecar connection for BMW R26 and R27, front/upper with eyebolt	75,55 €	89,90 €
Z044C	60084	Sidecar connection R25, front/upper w/ball	55,95 €	66,58 €
Z044D	60085	Sidecar connection for BMW R26 and R27, front/upper with ball	71,43 €	85,00 €
Z045A	12195	Strut (eye) for sidecar mount rear/top	104,96 €	124,90 €
Z045B	12196	Sidecar connecting rod side car STEIB TR500 for BMW R50-R69S top front and rear	67,14 €	79,90 €
Z045C	12193	Strut (eye) for sidecar mount front/top	110,84 €	131,90 €
Z045D	12194	Sidecar connecting rod 45° , w/bell for ball and clamp	155,38 €	184,90 €
Z045E	12197	Nut M18 x 1,5 flat, for sidecar connecting rod zincked	1,43 €	1,70 €
Z045F	9211154	Bushing sidecar connecting rod, 25cm, with 15cm thread rod without clamps	46,22 €	55,00 €
Z045G	9211155	Bushing sidecar connecting rod, 35cm, with 15cm thread rod without clamps	50,34 €	59,90 €
Z045H	9211156	Bushing sidecar connecting rod, 30cm, with 15cm thread rod without clamps	50,34 €	59,90 €
Z045i	9225054	Bushing sidecar connecting rod, 25cm, without mounting parts	33,61 €	40,00 €
Z045j	9230056	Bushing sidecar connecting rod, 30cm, without mounting parts	33,61 €	40,00 €
Z045k	9235055	Bushing sidecar connecting rod, 35cm, without mounting parts	39,41 €	46,90 €
Z075	20075	Trunk snap for side car STEIB TR500 with lock	113,36 €	134,90 €
Z076	20076	Trunk snap for side car STEIB TR500 without lock	111,68 €	132,90 €
Z080	10336	Side car dust cover LS200,S350, S500 black	100,76 €	119,90 €
Z080A	10340	Dust cover LS200 w/eyelet (premium quality)	86,47 €	102,90 €
Z080B	10341	Side car dust cover S250 with eyelets (premium quality)	86,47 €	102,90 €
Z081	10347	Sidecar dust cover S350, S501 w/eyelets (premium quality)	86,47 €	102,90 €
Z082	10591	Sidecar dust cover TR500 w/eyelets (premium quality)	126,05 €	150,00 €
Z084	3037	ID plate for Steib sidecar	6,18 €	7,35 €
Z085a	40098	T-grip trunk for STEIB S500 lockable	58,74 €	69,90 €
Z085c	4009801	T-grip lock-snap for STEIB S500	11,09 €	13,20 €
Z086	400298	Light for sidecar, universal red/white - REMNANTS	12,52 €	14,90 €
Z086B	4009800	T-grip rubber support for STEIB S500	4,62 €	5,50 €
Z087	4001	Spare parts catalogue for STEIB sidecars in GERMAN	18,69 €	20,00 €
Z088A	20044	Sub-frame for side car for BMW R27	151,18 €	179,90 €
Z088B	20045	Sub-frame for side car for BMW R26	134,37 €	159,90 €
Z090	10328	Bulb holder universal with angle, socket BA15S	4,16 €	4,95 €
Z091A	20068	Spring holder sheet metal, LS200, S350/S500 frontside (weld-in)	25,13 €	29,90 €
Z091B	20069	Spring holder sheet metal, S350-500 (weld-in) backside	20,13 €	23,95 €
Z092	97300	Sidecar, TR 500 lookalike	766,93 €	912,65 €
Z093	227201	Indicator light for sidecar, fender mount	14,20 €	16,90 €
Z232	41400	Spring, boat-holder S 350	127,06 €	151,20 €

Group L: Literature, Manuals

<u>Article-No.</u>	<u>Description</u>	<u>Net</u>	<u>Gross</u>
998376	Total Power Grease, Innotec Spray-fat	13,40 €	15,95 €
27030	Workshop manual R50/5-75/5 (German) BMW	51,40 €	55,00 €
992060	Gearoil SAE90 GL4	6,00 €	7,14 €
66100	Goggle frame set for Aviator T1/T2 chrome	30,25 €	36,00 €
66101	Goggleframe f. glasses Intepelle	29,37 €	34,95 €



99718	Pin	3,99 €	4,75 €
999401	Check light 6-24 Volt	8,32 €	9,90 €
7131139	Rider´s mask, cotton, black	4,20 €	5,00 €
6610004	Goggle frame set for Aviator T1/T2 gunmetal	30,25 €	36,00 €
0025485	Book: "Der Kupferwurm" and "Besser machen, Arbeiten an Motorrädern" in one Vol. , GERMAN LANGUAGE from Carl Hertweck, special Edition: 2. Edition 2006	37,29 €	39,90 €
3038028	Book: "BMW-Motorräder, Die Jahrhundert-Story", GERMAN LANGUAGE from Frank Rönicke, 1. Edition 2015	27,94 €	29,90 €
96165	List of models R32-R100RS, copy	1,82 €	1,95 €
10020	Book: Service + repair of electrical system (German language) for BMW R24-R25/3, R51/3-R69S, 6V and 12V, IMPORTANT: German language	8,36 €	9,95 €
0100200	Book: Service+repair o. electrical system (German) R25/2, R51/3, R67, R67/2, R68, 6V	4,21 €	4,50 €
01558	Book: "BMW Motorräder seit 1923", GERMAN LANGUAGE from Wolfgang Zeyen and Jan Leek, 1.Edition 2004, IMPORTANT: only german Language!	46,64 €	49,90 €
09002	Booklet: Chart about BMW R25/2 and R51/3	7,10 €	7,60 €
70218	Spare parts catalogue for BMW R11 and R16 series 1/5 IN GERMAN	22,90 €	24,50 €
4012	Spare part catalogue for BMW R12 and R17 IN GERMAN	19,35 €	20,70 €
4006	Spare parts catalogue for BMW R20 and R23 IN GERMAN	17,90 €	19,15 €
9021	Spare parts catalogue for BMW R24 in GERMAN	15,79 €	16,90 €
9022	Spare parts catalogue for BMW R25 IN GERMAN	15,79 €	16,90 €
9023	Spare parts catalogue for BMW R25/2 in GERMAN	15,79 €	16,90 €
9024	Spare parts catalogue for BMW R25/3 in GERMAN	15,79 €	16,90 €
9025	Spare parts catalogue for BMW R26 and R27 in GERMAN	17,06 €	18,25 €
4004	Spare parts catalogue for BMW R35 in GERMAN	17,90 €	19,15 €
4008	Spare parts catalogue for BMW R5 and R6 in GERMAN	23,36 €	25,00 €
4026	Spare parts catalogue for BMW R50-R69S (German, English, French)	17,06 €	18,25 €
70219	Spare parts catalogue for BMW R51, R61, R66 and R71 IN GERMAN	23,36 €	25,00 €
9029	Spare parts catalogue for BMW R51/2 in GERMAN	15,79 €	16,90 €
9028	Spare parts catalogue for BMW R51/3-R67/3 IN GERMAN	15,79 €	16,90 €
4057	Spare parts catalogue for BMW R57 and R63 IN GERMAN	20,45 €	21,88 €
9020	Spare parts catalogue for BMW R68 in GERMAN	15,79 €	16,90 €
4003	Spare parts catalogue for BMW R75 Wehrmacht with side car IN GERMAN	28,04 €	30,00 €
4001	Spare parts catalogue for STEIB sidecars in GERMAN	18,69 €	20,00 €
5025	Cleaner for stainless steel, 250ml spraybottle	12,56 €	14,95 €
1083	Polishing wadding Nevr Dull	6,68 €	7,95 €
3080001	Autosol Chrom-Polish, 75ml tube	5,21 €	6,20 €
3020	Workshop manual extension R25/2, /3 (German)	8,65 €	9,25 €
2020	Workshop manual R25 (German)	17,99 €	19,25 €
37020	Workshop manual R25 (English)	33,55 €	35,90 €
4020	Workshop manual R26/27 (German)	22,24 €	23,80 €
6020	Workshop manual R50-69S (German, Spanish, English, French)	22,24 €	23,80 €
5020	Workshop manual R51/3-67/2 (German)	20,00 €	21,40 €
5021	Workshop manual extension R67/2-R68 (German)	8,65 €	9,25 €
10021	Workshop manual R51/2 (German)	22,24 €	23,80 €
4002	Workshop manual R75 Wehrmacht w/side car	43,46 €	46,50 €
70200	Owner's manual for BMW R11 and R16 (GERMAN LANGUAGE)	23,36 €	25,00 €
70216	Owner's manual for BMW R12 (GERMAN LANGUAGE)	20,47 €	21,90 €
70214	Owner's manual for BMW R20 (GERMAN LANGUAGE)	20,37 €	21,80 €
70215	Owner's manual for BMW R23 (GERMAN LANGUAGE)	20,37 €	21,80 €
70201	Owner's manual for BMW R24 (GERMAN LANGUAGE)	9,20 €	9,84 €
70202	Owner's manual for BMW R25 (GERMAN LANGUAGE)	9,20 €	9,84 €
70203	Owner's manual for BMW R25/2 (GERMAN LANGUAGE)	9,20 €	9,84 €
70204	Owner's manual for BMW R25/3 (GERMAN LANGUAGE)	12,52 €	14,90 €
70205	Owner's manual for BMW R26 (GERMAN LANGUAGE)	12,94 €	15,40 €
70206	Owner's manual for BMW R27 (GERMAN LANGUAGE)	13,95 €	16,60 €
7023	Owner's manual for BMW R35 (GERMAN LANGUAGE)	20,37 €	21,80 €
70217	Owner's manual for BMW R5 and R6 (GERMAN LANGUAGE)	20,47 €	21,90 €
70207	Owner's manual for BMW R50-R69 (GERMAN LANGUAGE)	12,56 €	13,44 €
702071	Owner's manual for BMW R50, R60 and R69S (GERMAN LANGUAGE)	20,37 €	21,80 €
70213	Owner's manual for BMW R51, R66, R61 and R71 (GERMAN LANGUAGE)	20,37 €	21,80 €
7024	Owner's manual for BMW R51/3-R68 (GERMAN LANGUAGE)	20,37 €	21,80 €



70208	Owner's manual for BMW R51/2 (GERMAN LANGUAGE)	12,56 €	13,44 €
7022	Owner's manual for BMW R75 (GERMAN LANGUAGE) Wehrmachtskrad with side car	20,45 €	21,88 €
70222	Owner's manual for BMW R12 and R17 - ENGLISH LANGUAGE REMNANTS!!!	15,37 €	16,45 €
27020	Owner's manual for BMW R25 - ENGLISH LANGUAGE	20,37 €	21,80 €
27022	Owner's manual for BMW R25/2 - ENGLISH LANGUAGE	20,37 €	21,80 €
27023	Owner's manual for BMW R25/3 - ENGLISH LANGUAGE	27,94 €	29,90 €
27021	Owner's manual for BMW R26 - IN THREE LANGUAGES English, French, Spanish	20,47 €	21,90 €
27027	Owner's manual for BMW R27 - IN THREE LANGUAGES English, French, Spanish	20,47 €	21,90 €
17020	Owner's manual for BMW R50-R69S, Earles fork models - IN THREE LANGUAGES English, French, Spanish	22,34 €	23,90 €
17021	Owner's manual for BMW R50-R69SUS, tele fork - ENGLISH LANGUAGE	27,94 €	29,90 €
70221	Owner's manual for BMW R51/2 - ENGLISH LANGUAGE	22,38 €	23,95 €
7025	Owner's manual for BMW R51/3-R67 - ENGLISH LANGUAGE	20,37 €	21,80 €
11020	Booklet - special tools - IN GERMAN LANGUAGE	4,58 €	4,90 €
0001660	Polishing cloth BMW	5,00 €	5,95 €
24002	Helmet Jet, ECE-22.05, ivory Classic, XS	75,59 €	89,95 €
1889242	Helmet Jet, ECE-22.05, ivory Classic, S	75,59 €	89,95 €
1889243	Helmet Jet, ECE-22.05, ivory Classic, M	75,59 €	89,95 €
1889244	Helmet Jet, ECE-22.05, ivory Classic, L	75,59 €	89,95 €
1889245	Helmet Jet, ECE-22.05, ivory Classic, XL	75,59 €	89,95 €
1889246	Helmet Jet, ECE-22.05, ivory Classic, XXL	75,59 €	89,95 €
1889156	Helmet half shell, fiberglass, "British Style", uni, unicolor white, real black leather, M, REMNANTS	83,99 €	99,95 €
1889164	Helmet half shell, fiberglass, "British Style", TT TwoTone black-silver, real black leather, XL, REMNANTS	88,15 €	104,90 €
1885715	Helmet half shell, fiberglass, ivory, S	63,78 €	75,90 €
1889132	Helmet half shell, fiberglass, ivory, M	63,78 €	75,90 €
1889133	Helmet half shell, fiberglass, ivory, L	63,78 €	75,90 €
1889134	Helmet half shell, fiberglass, ivory, XL	63,78 €	75,90 €
1889135	Helmet half shell, fiberglass, ivory, XXL	63,78 €	75,90 €
1885646	Helmet half shell, fiberglass, black, S	63,78 €	75,90 €
1889102	Helmet half shell, fiberglass, black, M	63,78 €	75,90 €
1889103	Helmet half shell, fiberglass, black, L	63,78 €	75,90 €
1889104	Helmet half shell, fiberglass, black, XL	63,78 €	75,90 €
1889105	Helmet half shell, fiberglass, black, XXL	63,78 €	75,90 €
1885648	Helmet half shell, fiberglass, black, chequered, S	67,14 €	79,90 €
1889122	Helmet half shell, fiberglass, black, chequered, M	67,14 €	79,90 €
1889123	Helmet half shell, fiberglass, black, chequered, L	67,14 €	79,90 €
1889124	Helmet half shell, fiberglass, black, chequered XL	72,10 €	85,80 €
1889125	Helmet half shell, fiberglass, black, chequered XXL	72,10 €	85,80 €
1885647	Helmet half shell, fiberglass, silver, S	63,78 €	75,90 €
1889142	Helmet half shell, fiberglass, silver, M	63,78 €	75,90 €
1889143	Helmet half shell, fiberglass, silver, L	63,78 €	75,90 €
1889144	Helmet half shell, fiberglass, silver, XL	63,78 €	75,90 €
1889145	Helmet half shell, fiberglass, silver, XXL	63,78 €	75,90 €
1885645	Helmet half shell, fiberglass, white, S	63,78 €	75,90 €
1889112	Helmet half shell, fiberglass, white, M	63,78 €	75,90 €
1889113	Helmet half shell, fiberglass, white, L	63,78 €	75,90 €
1889114	Helmet half shell, fiberglass, white, XL	63,78 €	75,90 €
1889115	Helmet half shell, fiberglass, white, XXL	63,78 €	75,90 €
090104	Helmet Jet, ECE-22.05, black, XS	58,78 €	69,95 €
1889202	Helmet Jet, ECE-22.05, black, S	58,78 €	69,95 €
1889203	Helmet Jet, ECE-22.05, black, M	58,78 €	69,95 €
1889204	Helmet Jet, ECE-22.05, black, L	58,78 €	69,95 €
1889205	Helmet Jet, ECE-22.05, black, XL	58,78 €	69,95 €
1889206	Helmet Jet, ECE-22.05, black, XXL	58,78 €	69,95 €
090102	Helmet Jet, ECE-22.05, silver, XS	58,78 €	69,95 €
1889232	Helmet Jet, ECE-22.05, silver, S	58,78 €	69,95 €
1889233	Helmet Jet, ECE-22.05, silver, M	58,78 €	69,95 €
1889234	Helmet Jet, ECE-22.05, silver, L	58,78 €	69,95 €
1889235	Helmet Jet, ECE-22.05, silver, XL	58,78 €	69,95 €



1889236	Helmet Jet, ECE-22.05, silver, XXL	58,78 €	69,95 €
1889212	Helmet Jet, ECE-22.05, white, S	58,78 €	69,95 €
1889213	Helmet Jet, ECE-22.05, white, M	58,78 €	69,95 €
1889214	Helmet Jet, ECE-22.05, white, L	58,78 €	69,95 €
1889215	Helmet Jet, ECE-22.05, white, XL	58,78 €	69,95 €
1889216	Helmet Jet, ECE-22.05, white, XXL	58,78 €	69,95 €
1889225	Helmet Jet, ECE-22.05, white, chrome-edge, XL black textile lining, REMNANT STOCK!	83,99 €	99,95 €
1889226	Helmet Jet, ECE-22.05, white, chrome-edge, XXL black textile lining, REMNANT STOCK!	83,99 €	99,95 €
24003	Helmet Jet, fiberglass, black/silver, no ECE, S extra small shell, brown leather lining	83,99 €	99,95 €
1889253	Helmet Jet, fiberglass, black/silver, no ECE, M extra small shell, brown leather lining	83,99 €	99,95 €
1889254	Helmet Jet, fiberglass, black/silver, no ECE, L extra small shell, brown leather lining	83,99 €	99,95 €
1889255	Helmet Jet, fiberglass, black/silver, no ECE, XL extra small shell, brown leather lining	83,99 €	99,95 €
1889256	Helmet Jet, fiberglass, black/silver, no ECE, XXL extra small shell, brown leather lining	83,99 €	99,95 €
1889262	Helmet Jet, fiberglass, green/silver, no ECE, S extra small shell, brown leather lining	83,99 €	99,95 €
1889263	Helmet Jet, fiberglass, green/silver, no ECE, M extra small shell, brown leather lining	83,99 €	99,95 €
1889265	Helmet Jet, fiberglass, green/silver, no ECE, XL extra small shell, brown leather lining	83,99 €	99,95 €
1889266	Helmet Jet, fiberglass, green/silver, no ECE, XXL extra small shell, brown leather lining	83,99 €	99,95 €
1889701	Helmet Jet, ECE-22.05, black, chequered, XS black textile lining	92,35 €	109,90 €
1889702	Helmet Jet, ECE-22.05, black, chequered, S black textile lining	92,35 €	109,90 €
1889703	Helmet Jet, ECE-22.05, black, chequered, M black textile lining	92,35 €	109,90 €
1889704	Helmet Jet, ECE-22.05, black, chequered, L black textile lining	92,35 €	109,90 €
1889705	Helmet Jet, ECE-22.05, black, chequered, XL black textile lining	92,35 €	109,90 €
1889706	Helmet Jet, ECE-22.05, black, chequered, XXL black textile lining	92,35 €	109,90 €
60327	Goggle-Classic for half-shell helmet, chrome frame, black	33,53 €	39,90 €
04114	Goggle Aviator Retro, natural rubber chrome	110,00 €	130,90 €
0411401	Goggle Aviator Retro, natural rubber gunmetal	110,00 €	130,90 €
67062	Goggle Aviator Retro, leather chrome	121,85 €	145,00 €
04119	Goggle Aviator Retro optical chrome, for spectacle wearer	172,27 €	205,00 €
068002	Goggle Aviator Vintage, leather chrome	142,02 €	169,00 €
068001	Goggle Aviator Vintage, leather gunmetal	142,02 €	169,00 €
0670732	Goggle Aviator/Jeanted T2 (clear) Retro Pilot also for spectacle wearer	130,25 €	155,00 €
0670735	Goggle Aviator/Jeanted T2 tinted glasses also for spectacle wearer, chrom frame	130,25 €	155,00 €
0670736	Goggle Aviator/Jeanted T2 mirrored-glass also for spectacle wearer, chrom frame	134,37 €	159,90 €
0501501	Goggle Cilmax 501, leather chrome	55,46 €	66,00 €
4182778	Goggle Aviator/Jeanted T2 brown leather, brown glasses also for spectacle wearer, golden frame	134,37 €	159,90 €
4600210	Goggle alternate strap Aviator Retro	20,97 €	24,95 €
61250	Google alternate strap T1/T2	26,89 €	32,00 €
04116	Goggle Aviator Spare glasses set, yellow	13,36 €	15,90 €
0004116	Goggle Aviator Spare glasses Set, clear	14,20 €	16,90 €
1004116	Goggle Aviator Spare glasses set, smoke	13,36 €	15,90 €
067173	Goggle Jeanted T1/2 Spare glasses set, yellow	21,01 €	25,00 €
0067174	Google Jeanted T1/2 Spare glasse Set, tinted glass	21,01 €	25,00 €
067172	Goggle Jeanted T1/2 Spare glasses set, clear	21,01 €	25,00 €
067175	Goggle Jeanted T1/2 Spare glasses set, mirrored-glass	33,53 €	39,90 €
0005317	Tool set for BMW R24-R69S Original BMW	167,73 €	199,60 €
30752	Tool bag, high 19cm	10,84 €	12,90 €
3075217	Tool bag, high 17cm	10,84 €	12,90 €
3075215	Tool bag, high 15cm	10,84 €	12,90 €
13070	Varnish pen, black, 086	14,20 €	16,90 €
022001	Rust remover "Tankcure"	15,08 €	17,95 €
2233444	Rust remover "FERTAN" 250ml No shipment outside the European Union possible!	15,55 €	18,50 €
24000	Fuel tank seal mastic, 450g, "Tankcure" for one fueltank !	28,49 €	33,90 €

In order to accomplish a fast dispatch, we ask you to give to us your credit card details

Please fill out this side and **fax it to us at +49 69 23 38 40**



Credit card direct debit authorisation

Hereby I authorize

Ulis Motorradladen GmbH
Gutleutstrasse 144
D-60327 Frankfurt am Main

to deduct invoice amounts of my credit card account.

Name

Customer's number (if known)

Street

ZIP / Town / State / Country

Name of Account owner

Name of the bank

Credit card number

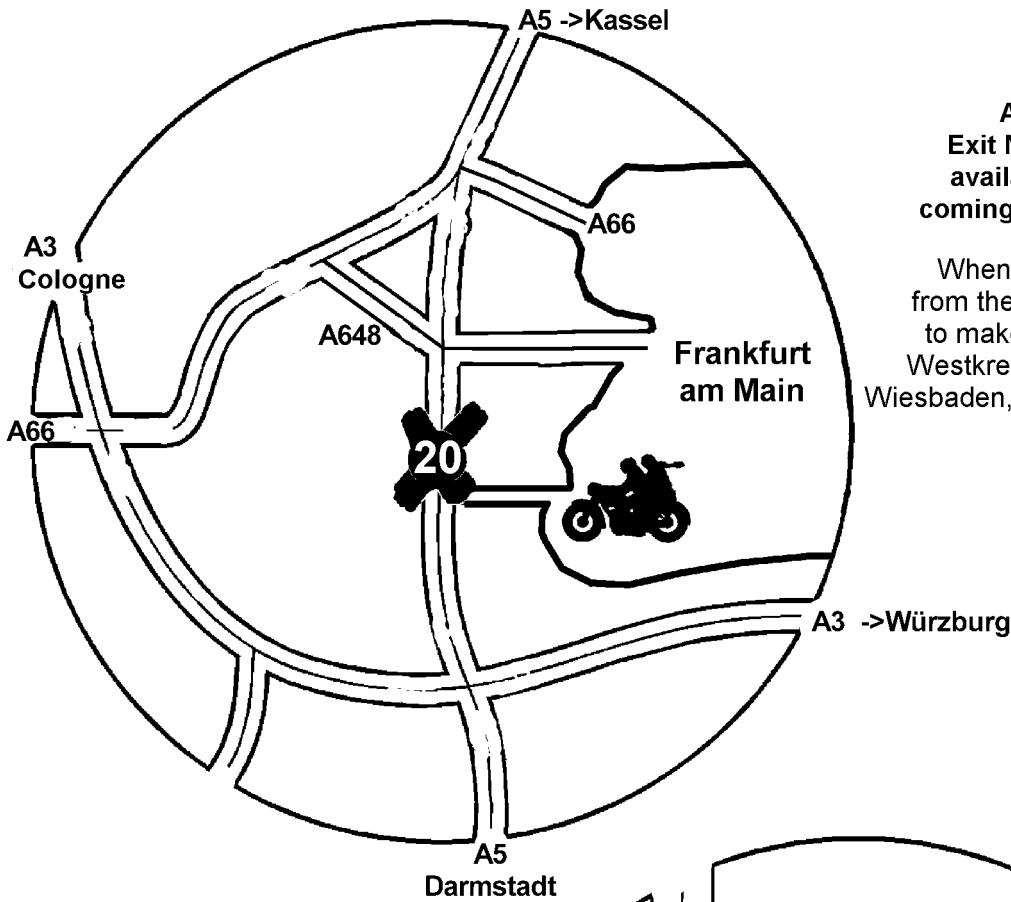
Date of expiration

CV Code (three digits on the back of your card in the signature area)

Date / Signature



How to find Ulis Motorradladen



Attention!
Exit No 20 is only available if you're coming from the north

When you're coming from the south, you have to make a u-turn at the Westkreuz. First direction Wiesbaden, then direction Basel

Ulis Motorradladen GmbH

Gutleutstraße 144
D-60327 Frankfurt am Main

Telefon +49 (0) 69 / 23 93 19
Telefax +49 (0) 69 / 23 38 40

Info@UlisMotorradladen.de
www.UlisMotorradladen.de

WGS84
N 50°06.138'
E 008°39.602'

