



Ulis Motorradladen

BMW Motorcycles Spare Parts Accessory

CATALOGUE 2014

BMW R24 to R69S - 1949 to 1969

Table of content:

Terms and Conditions	2
Impressum	4
Group M: Engine all Singles	5
Group N: Engine housing, Cylinder, Piston all Twins	10
Group W: Inner engine parts all Twins	13
Group G: Gearbox all Singles	19
Group H: Gearbox all Twins 1955-1969	22
Group I: Gearbox all Twins 1948-1956	25
Group K: Rear transmission R25, R25/2, R25/3	28
Group C: Rear transmission all Twins 1948-1956	30
Group P: Rear swing arm and transmission all models 1955-1969	32
Group T: Fork and steering R24, R25, R25/2	36
Group Q: Fork and steering R25/3	39
Group R: Fork and steering R51/2-R68	42
Group S: Front swing and steering all models 1955-1969, rims, spokes, tires	45
Group F: Frame, fenders, tank, seats all models 1948-1956	52
Group J: Frame, fender, tank, seat for all models 1955-1969	58
Group A: Exhaust system all models 1948-1969	64
Group E: Electrics	66
Group V: Carburetor, airfilter all models 1948-1969	73
Group Z: Sidecar spare parts	77
Group L: Literature, Manuals	80
Credit card direct debit authorisation	84
How to find Ulis Motorradladen	85

Ulis Motorradladen GmbH
Gutleutstrasse 144
D-60327 Frankfurt am Main
Germany

Telefon +49 (0) 69 / 17536440
Telefax +49 (0) 69 / 175364499
Info@UlisMotorradladen.de
www.UlisMotorradladen.de
www.UlisMotorradladen.com

Shop is open: Tuesday to Friday from 10:00 – 18:30, Saturday 10-13:00, Sunday and Monday closed.



February 2014
Frankfurt, Germany

Dear BMW friends and riders,

Welcome to Ulis Motorradladen!

Thank you for your interest in our products for older BMW motorcycles. This is our latest edition of an English version of our catalog, we hope this edition will help you locate your parts more easily. Parts descriptions are translated in English language. We apologize for mistakes beforehand.

A note to owners of BMW motorcycles built after 1969: We stock nearly all spare parts for these models and we have a catalog for them exclusively. All catalogs are available for download from our web-site as zipped .pdf files. All software tools to unzip and read them are free and readily available.

In this catalog you'll see each part category preceded by a diagram. By cross-referring a part description with the picture in the diagram, we hope to eliminate misunderstandings and incorrect part orders. The diagrams and listings also show that we do indeed keep all parts for old BMWs in stock and ready for shipment.

Please notice that we offer many used parts. We do not sell junk—rather good, useable parts. For example, if you order a used crankcase breather for a R60/6, the part you receive will in no way be inferior to a new factory part. The price of a used part is generally half the price of the new part. Exceptions to this are rare parts that are no longer available.

We are a customer-oriented company. If you have technical questions regarding your BMW we are happy to answer them. We have been riding, servicing and selling old BMWs for years—we are experts regarding what we sell. We answer all inquiries in the order they are received and as soon as possible. Suggestions are always welcome!

Terms and Conditions

The shipping-cost will be charged according to the conditions displayed in a list you will find on our website under www.ulismotorradladen.de or in conjunction with an online-order you place.

The forwarder and the shipping-method we will determine for you, depending on the nature of the goods you buy. All shipments however are insured against loss.

The payment-method „COD cost on delivery“ will result in an extra fee (see shipping-cost list).

Online-orders include the shipping-cost and all additions and will be processed when you confirm the order.

Please notice:

Every order will result in shipping-cost, no matter if you order few or many items. No shipment will be transport-fee free.

The shipping-cost includes the German VAT in any case, which is no error.

The average runtime within Germany is 1-5 labourdays.

The average runtime in foreign countries varies from 5-60 labourdays, depending on the destination.

Due to specific conditions in the land of the destination (holidays, weather-conditions, legal conditions) delays can occur and cannot be influenced by Uli's.

Uli's cannot guarantee that the parcel will arrive in time. The shipping-companies themselves do not guarantee the delivery within the standard-runtime, unless you do not order additional service performances.

Special shipping-performances can be ordered, resulting in additional freight-cost, such as EXPRESS-shipments our courier services. The cost and the equivalent conditions can be asked for at Uli's helpdesk.

We are capable to ship complete motorcycles, sidecars and combinations as well. Cost and delivery conditions under request.

Payment Conditions

- Bankdraft:

We draw the total from your bank-account, if it is bank in Germany. You do not have to care or worry for anything.

The quickest and most convenient way to pay. Bankdraft from banks outside of Germany are not possible.

- Creditcard:

Please transfer your creditcard details to us, We need the long number, expiry-date and the 3-digit security-code. Do not use email to transmit the data! Only Fax, telephone and our webshop are safe. We accept Visa-Euro-Master-Amexcard. Maestro- or bankingcards are not valid.

- Cost on delivery (COD)

You pay the bill by handing out the money to the postman. But caution: This service cannot be used in many countries.

In any case, an extra charge will be added.

- Prior payment

We will send an email (or Fax) to you, including an order-confirmation with a detailed list of what you buy and the total cost all together. If you transfer the money to one of our bank-accounts, the goods will be sent out without delay.

Using the online-shop, you can proceed with the payment as soon as the buying process is finished. Mention the document-number, please.

Reparation of Components

If you send in components of motorcycles for reparation, please do not forget to include a detailed description of the labour you want us to perform. Without such a description, the work cannot be done.



Please clean the parts before you send them in. If you should fail to do so, we would probably have to charge an additional cleaning-fee. Pack the things carefully, many valuable parts break or get scratched due to improper packing. The letter you send with the component must also include your full name and home-address.

Repeal

It is your privilege as a end-customer to send back goods you have bought at Uli's, within the first 14 days after your purchase. This right is only valid if we had sent the parts to you, not if you had bought them in our shop locality. Please send your repeal within 14 days in written form (a.e. letter, fax, email), you must not declare the reason. If you received the goods before this 14 days period ends, its enough to send the goods back.

Send the Reapeal to:

Ulis Motorradladen GmbH
Gutleutstrasse 144
60327 Frankfurt
Germany
Email: info@ulismotorradladen.de
Fax: 0049 - 69 - 1753644 - 99

You can claim back the full amount, if:

- the commodity has been bought at Uli's,
- the goods are not damaged
- the goods have not been used, regardless of minor traces of usual inspections

Parts that have been used or damaged might not be subject for a refund or for claims. In some cases, we would refund the value with an equivalent deduction.

Basically, we will refund the shipping-cost from us to you, if you return the commodities within 14 days and under the condition that you return them completely. If you should happen to keep some of the articles out of one shipment, we will probably not refund the entire shipping-cost.

If the shipment from us to you was free of charge, due to our „more than 150 Euro“-regulation, and you return goods that lower the value of the shipment below this borderline, we will probably charge shipping cost after your purchase. This may result in a deduction of the refund value through Uli's.

We gladly cover your return-shipping-cost if:

- the return takes place no later than 14 days after the purchase
- the overall value of the parts you had returned exceeds 40,00 Euro
- the invoice has completely been paid for

The return-shipping-cost will not be covered by Uli's if these conditions are not matched.

No Repeal for bussiness customers, clubs and societys.

If you have the wish to send back goods, please ask us before!

No Repeal if you bought the good in our local shop.

If you have the wish to send back goods, please ask us before!

Exchange

The condition for an exchange of a commodity is that the goods have returned to Uli's.

The goods you return will be subject to a credit, and the parts you want to buy instead will be charged as usual.

Reclamation

Everything you buy at Uli's includes „Gewährleistung“, which means that you have the right to claim a broken, defective or unfunctional product at Uli's up to a period of 24 months, but only if we had sent the part to you. If you had picked up the commodity in our shop locality, the right is invalid.

The right mentioned above is valid 12 months only if the commodity is secondhand.

Of course we inspect all secondhand and used parts thoroughly before we sell them.

In case of a righteous reclamation of goods, Uli's will cover all transportation-fees, also for their return.

Your shipmets to us

will be accepted under the condition that the transportation-fee has been paid for. Shipments that include a duty for Uli's will be refused. Exemptions are made if the return is subject to an agreement with Uli's.

If it should be your wish not to expend transportation-fees prior to the return, we would like you to get in contact with us.

Uli's has means to organize reasonable collect-services. If you should fail to contact us before you send in a parcel with a duty for Uli's, we would probably deduct the cost from later refunds. Please do not send „unfree“ parcels!

Prices

All pricelists in connection with Uli's Motorradladen, such as the PDF-file you find under www.ulismotorradladen.de include reserved prices. Changes in prices can and will occur. We do not guarantee for printed prices.

The prices in the online-shop are currently adopted and valid in general.

Every pricelist includes prices with VAT and without VAT. All prices are in Euro. Pricelists in other currencies than EURO do not exist. Also, the invoices we set up are in EURO exclusively.



**Best Regards,
Schöne Grüße aus Frankfurt,**

Ulis Motorradladen

Impressum

Ulis Motorradladen GmbH

BMW Motorräder – Ersatzteile – Zubehör
Gutleutstrasse 144

D-60327 Frankfurt am Main
Germany

Telefon +49 (69) 1753644-0
Telefax +49 (69) 1753644-99
eMail Info@UlisMotorradladen.de
Internet <http://www.UlisMotorradladen.de>
<http://www.UlisMotorradladen.com>

The shop is open: Tuesday to Friday 10:00-18:30 CET
Saturday 10:00-13:00 CET
We're closed on Monday and Sunday

Managing director Ulrich Seiwert
District court Frankfurt HRB40289
VAT-No: / UstIdNr: DE 174059929

Payments can be transfered to:

Postgiroamt Frankfurt	Commerzbank Frankfurt
Account No 11 52 38-608	Account No 384 766 400
Bank Id No 500 100 60	Bank Id No 500 800 00
Iban:DE43500100600115238608	Iban:DE6750080000384766400
SwiftBic: PBNK DE FF	SwiftBic: DRES DE FF

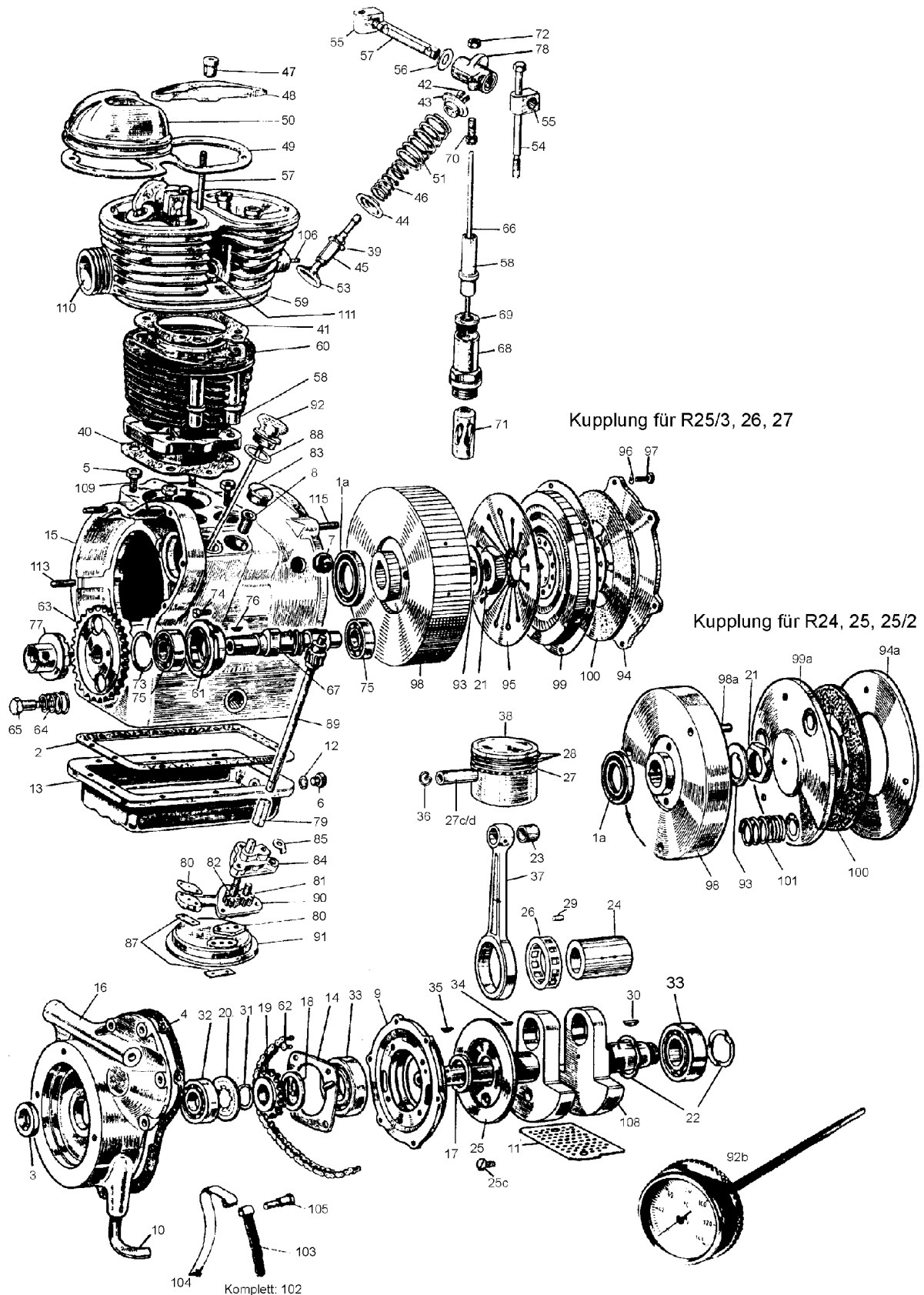
Copyright @ Ulis Motorradladen GmbH 2014.

Reprint, copying or any kind of publishing – even parts of it – needs our written permission!

We apologize for all possible mistakes and price changes.



Group M: Engine all Singles



<u>Picture-No.</u>	<u>Article-No.</u>	<u>Description</u>	<u>Net</u>	<u>Gross</u>
M000	600014	Engine gasket set (No.01), R24, complete	26,47 €	31,50 €
M000A	600003	Engine gasket set (No.02), R25 - R25/3, complete	26,47 €	31,50 €
M000B	600008	Engine gasket set (No.03), R26 complete	26,47 €	31,50 €
M000C	600009	Engine gasket set (No.04), R27 complete	31,72 €	37,75 €
M001A	07100	Seal-ring, crankshaft rear R24-25/3	7,44 €	8,85 €
M001B	01122	Seal-ring, crankshaft rear R26/27, R51/3-R69S	8,82 €	10,50 €
M001B	0112201	Seal-ring, crankshaft rear R26/27, R51/3-R69S "VITON" with spin	17,23 €	20,50 €
M001C	01123	Seal-ring, crankshaft rear R26-69S, silicone white	10,76 €	12,80 €



M001D	99177	Flywheel seal repair set R24, R25, R25/3, R25/3	36,89 €	43,90 €
M001d	01124	Seal-ring, crankshaft R26-69S, silicon with spin	13,36 €	15,90 €
M001E	99204	Flywheel seal repair set R26/27, R51/3-R69S	40,17 €	47,80 €
M002	01104	Oil sump gasket R24, R25, R26, R27, Cork	2,35 €	2,80 €
M002	0001104	Oil sump gasket R24, R25, R26, R27, Paper	2,94 €	3,50 €
M003A	02110	Seal-ring, crankshaft front R24, R25, R26, R27	4,03 €	4,80 €
M003B	02129	Seal-ring camshaft R27	3,53 €	4,20 €
M004	02114	Timing cover gasket R24, R25, R26, R27	2,48 €	2,95 €
M005	9903416	Dowel pin for cylinder base, R24-R69S	5,00 €	5,95 €
M005A	37789	Dodecagon nut cylinder base, cardan coupling	1,51 €	1,80 €
M005B	85002	Cylinder base nut M 10, 14mm tool	1,51 €	1,80 €
M005C	98370	Cylinder base nut M 10, 14mm tool, stainless	2,02 €	2,40 €
M006	07163	Oil drain screw M14, magnetic	3,19 €	3,80 €
M006	62893	Oil drain off screw M15	5,00 €	5,95 €
M006B	62892	Oil drain plug M16	5,84 €	6,95 €
M007A	01106	Black rubber plug for timing control hole	1,26 €	1,50 €
M007B	43016	White rubber plug for timing control hole	1,26 €	1,50 €
M008	01112	Bushing oil pump shaft, R24, R25, R26, R27	8,32 €	9,90 €
M009A	90031	Bearing shield R24-R25,crankshaft front, aluminium used	65,55 €	78,00 €
M009B	02104	Bearing shield, R25, R26, R27 crankshaft front	91,39 €	108,75 €
M010	01114	Breather pipe R24, R25, R26, R27 zincod	10,76 €	12,80 €
M011	01116	Oil sieve, used	7,39 €	8,79 €
M012	2027	Drain plug copper gasket	0,67 €	0,80 €
M013	07000	Oil pan R24, R25, R26, R27, 1.5 liter, Aluminium w/Adaptor	71,60 €	85,20 €
M013	07001	Oil pan R24, R25, R26, R27, sheet-metal with steel frame	75,55 €	89,90 €
M014	02124	Flange for front-bearing carrier, R 24-27, used	10,25 €	12,20 €
M015A	01009	Engine housing R25, R25/2, R25/3 used	100,00 €	119,00 €
M015B	01008	Engine housing R26 used	268,91 €	320,00 €
M015C	01007	Engine housing R27 used	268,91 €	320,00 €
M016A	4031	Timing cover R24, R25, R26 used	33,23 €	39,54 €
M016B	5031	Timing cover R27 used	85,90 €	102,22 €
M017	16116	Crank/Oil slinger spacer R24, R25, R26, R27 used	2,48 €	2,95 €
M018	16117	Crank/Chainwheel/bearing spacer R24, R25-R25/3	5,46 €	6,50 €
M019A	16118	Chain wheel, crankshaft R24-25/3, new, orig.BMW new/old stock	54,54 €	64,90 €
M019B	16500	Chain wheel, crankshaft, R26, R27 new, orig. BMW	46,22 €	55,00 €
M020	16120	Splash guard for front crank bearing R24-R27	4,03 €	4,80 €
M021	16122	Flywheel screw R25-27	2,94 €	3,50 €
M022A	16124	Spring washer for crankshaft (rear) R25-25/3	1,43 €	1,70 €
M022B	16130	Spring washer for rear crankshaft bearing R26-69S	1,51 €	1,80 €
M023A	4027	Conrod bushing 18mm	7,39 €	8,80 €
M023B	3027	Conrod bushing 20mm	7,39 €	8,80 €
M024	16551	Crank pin R24, R25, R26, R27	24,58 €	29,25 €
M025A	16119	Oil slinger R26 "new", R27	12,23 €	14,55 €
M025B	16112	Oil slinger R25, R25/2, R25/3, R26 "old"	12,23 €	14,55 €
M025C	00106	Oil slinger screw	0,46 €	0,55 €
M026A	16125	Roller cage for 5mm rollers, small	28,11 €	33,45 €
M026B	17004	Roller cage for 7mm rollers, R24, R26, R27 used	25,13 €	29,90 €
M027A	14217	Piston ring compression 68,0-70,5mm (define your needed oversize!)	4,58 €	5,45 €
M027A	1142171	Piston ring compression 69,00mm, 1.st Ring	4,58 €	5,45 €
M027A	1014217	Piston ring compression 68,0mm, 1st Ring	4,58 €	5,45 €
M027A	2014217	Piston ring compression 68,0mm, 2nd Ring	4,58 €	5,45 €
M027B	14160	Piston oil ring 68,0-70,5mm (indicate size!)	7,44 €	8,85 €
M027C	40822	Piston pin 18mm	8,19 €	9,75 €
M028	14330	Piston ring set (3 pcs), 68.0-70.0 (indicate size)	16,39 €	19,50 €
M029A	16824	Conrod roller 5x10.00	0,41 €	0,49 €
M029A	16824	Conrod roller 5x10.00	40,00 €	47,60 €
M029A	16824	Conrod roller 5x10.00	50,00 €	59,50 €
M029B	168245	Conrod roller 5x10 +0,04	0,41 €	0,49 €
M029B	168246	Conrod roller 5x10 +0,05	0,41 €	0,49 €
M029B	168244	Conrod roller 5x10 +0,03	0,41 €	0,49 €
M029B	168243	Conrod roller 5x10 +0,02	0,41 €	0,49 €
M029B	168241	Conrod roller 5x10 +0,01	0,41 €	0,49 €
M029C	168247	Conrod roller 7x10 +0,02	0,41 €	0,49 €
M029C	168248	Conrod roller 7x10 +0,03	0,41 €	0,49 €
M029C	168249	Conrod roller 7x10 +0,04	0,41 €	0,49 €
M029C	168250	Conrod roller 7x10 +0,05	0,41 €	0,49 €



M029C	168250	Conrod roller 7x10 +0,05	40,00 €	47,60 €
M029C	168250	Conrod roller 7x10 +0,05	50,00 €	59,50 €
M029C	16140	Conrod roller 7x10.00	0,41 €	0,49 €
M029D	168242	Conrod roller 7x10 +0,01	0,41 €	0,49 €
M030A	16132	Woodruff key for crankshaft R25/3-R69S, rear	1,51 €	1,80 €
M030B	51480	Woodruff key for crankshaft R51/3-R100 front, crank shaft rear R24-R25/2, camshaft R50/5->	1,51 €	1,80 €
M031	34129	Lock ring for crankshaft R24, R25, R25/2, R25/3	0,42 €	0,50 €
M032	4064	Bearing crankshaft most front R24-R27 input shaft front + output shaft rear R24-R69S	7,35 €	8,75 €
M033A	2064	Bearing crank shaft R24, R25, R26, R27 crown wheel (outer) R25, R26, R27	10,42 €	12,40 €
M033B	62060	Bearing reinforced w/nylon cage crank shaft R24, R25, R26, R27	36,09 €	42,95 €
M034	51440	Woodruff key crankshaft front R24-R27, Chainwheel R51/2	1,51 €	1,80 €
M035	51454	Woodruff key for generator rotor R24, R25, R26	1,51 €	1,80 €
M036A	9026	Piston clip 18mm	1,07 €	1,27 €
M036B	14202	Piston clip 20mm	1,05 €	1,25 €
M037A	90440	Conrod set for R25, R25/2, 25/3 with roller cage and crank pin	135,00 €	160,65 €
M037B	90441	Conrod set for R26 (narrow) with roller cage and crank pin	135,00 €	160,65 €
M037BA	904508	Conrod set for R26 (wide) with roller cage and crank pin	135,00 €	160,65 €
M037C	90442	Conrod set for R27 with roller cage and crank pin	135,00 €	160,65 €
M037DA	0090440	Conrod for R25, R25/2, R25/3	90,00 €	107,10 €
M037DB	0090441	Conrod for R26, R50, R50/2, R50S	90,00 €	107,10 €
M037DB	0090443	Conrod for R26, R50, R50/2, R50S	90,00 €	107,10 €
M037DC	0091442	Conrod for R27	90,00 €	107,10 €
M038A	0012000	Piston R24, R25, R25/2, 68,0mm Tuning	100,84 €	120,00 €
M038A2B	12004	Piston, R24-25/3, 68.5mm, original KS/Nüral	100,84 €	120,00 €
M038A2C	0012008	Piston R24, R25, R25/2, 68,5mm Tuning	100,84 €	120,00 €
M038A3B	0012009	Piston R24, R25, R25/2, 69,0mm Tuning	100,84 €	120,00 €
M038A4C	0012010	Piston, R24-25/2, 69.5, Tuning	100,84 €	120,00 €
M038A5	0012011	Piston, R24-25/2, 70.0, Tuning	100,84 €	120,00 €
M038AA	912000	Piston R25/3, 68,0mm Tuning	100,84 €	120,00 €
M038AB	912008	Piston R25/3, 68,5mm Tuning	100,84 €	120,00 €
M038AC	912009	Piston R25/3, 69,0mm Tuning	100,84 €	120,00 €
M038AD	912010	Piston R25/3, 69,5mm Tuning	100,84 €	120,00 €
M038AE	912011	Piston R25/3, 70,0mm Tuning	100,84 €	120,00 €
M038B1	0012110	Piston R26, 68,0mm	100,84 €	120,00 €
M038B1a	12251	Piston R50S, R26 Tuning, 68.00	100,84 €	120,00 €
M038B2A	0012115	Piston R26 68.5mm	100,84 €	120,00 €
M038B2C	12254	Piston R50S, R26 Tuning, 68.50	100,84 €	120,00 €
M038B3	0012129	Piston R26 69.0mm	100,84 €	120,00 €
M038B3A	12257	Piston R50S, R26 Tuning, 69.00	100,84 €	120,00 €
M038B4A	0012133	Piston R26 69.5mm	100,84 €	120,00 €
M038B4C	922001	Piston R50S, R26 Tuning, 69.50	100,84 €	120,00 €
M038B5A	0012137	Piston R26 70.0mm	100,84 €	120,00 €
M038B5B	12116	Piston, R26, 70.0, original	110,08 €	131,00 €
M038B5C	922002	Piston R50S, R26 Tuning, 70.00	100,84 €	120,00 €
M038C1	910123	Piston R27 68.00mm	100,84 €	120,00 €
M038C1A	12123	Piston R27, 68,0mm Meteor	126,05 €	150,00 €
M038C1B	12122	Piston R27, 68,0mm, original	118,49 €	141,00 €
M038C2	910124	Piston R27, 68,5mm	100,84 €	120,00 €
M038C3	910125	Piston R27 69.0mm	100,84 €	120,00 €
M038C4	910126	Piston R27 69.5mm	100,84 €	120,00 €
M038C5	12127	Piston R27, 70.0mm, Meteor	126,05 €	150,00 €
M038C5	910127	Piston R27, 70,0mm	100,84 €	120,00 €
M038C6	1200300	Piston R26/27, 72,00mm, 300ccm	100,84 €	120,00 €
M039	999002	Valve guide lock ring, 13mm	0,21 €	0,25 €
M040A	10108	Cylinder base gasket R24-27	2,10 €	2,50 €
M040B	1010801	Cylinder base gasket R24-27, Alu 0,5 mm	4,54 €	5,40 €
M040C	1010802	Cylinder base gasket R24-27, Alu 1,0 mm	4,75 €	5,65 €
M040D	1010803	Cylinder base gasket R24-27, Alu 1,5 mm	4,87 €	5,80 €
M041A	10054	Cylinder head gasket R24, R25, R25/2, R25/3	3,49 €	4,15 €
M041A	0010054	Cylinder head gasket R24, R25, R25/2, R25/3 w/ silicone rings	4,03 €	4,80 €
M041C	0022118	Cylinder head gasket w/silicone R26,27,51/3-60/2	4,03 €	4,80 €
M042A	26502	Valve keeper, 2 slotted keyway	2,48 €	2,95 €
M042B	26824	Valve keeper, short cone	2,44 €	2,90 €
M042C	26460	Valve keeper, long cone	2,44 €	2,90 €
M043A	21807	Upper valve plate for 2 slotted keyway	10,29 €	12,25 €



M043B	2068	Upper valve plate, short cone	7,39 €	8,79 €
M043C	21806	Upper valve plate, long cone	7,39 €	8,79 €
M044	26128	Lower valve plate R24-60/2	2,69 €	3,20 €
M045	10027	Valve guide 7mm/13.05mm w/clip	6,55 €	7,79 €
M045a	100271	Valve guide 7mm/13.10mm w/clip	6,55 €	7,79 €
M045b	100272	Valve guide 7mm/13.15mm w/clip	6,55 €	7,79 €
M045c	100273	Valve guide 7mm/13.20mm w/clip	6,55 €	7,79 €
M045d	100274	Valve guide 7mm/13.25mm w/clip	6,55 €	7,79 €
M045e	100275	Valve guide 7mm/13.30mm w/clip	6,55 €	7,79 €
M045f	100276	Valve guide 7mm/13.35mm w/clip	6,55 €	7,79 €
M045g	1002775	Valve guide 7mm/13.40mm w/clip	9,74 €	11,59 €
M045h	1002776	Valve guide 7mm/13.35mm w/clip	9,74 €	11,59 €
M046	11018	Inner valve spring R24-50S	2,44 €	2,90 €
M047	21156	Valve cover nut R24, R25, R26, R27, R51/2	3,32 €	3,95 €
M048	65031	Valve cover bracket, singles and R51/2, used	10,08 €	12,00 €
M049	19054	Valve cover gasket	3,19 €	3,80 €
M050	10033	Valve cover R24, R25, R26, R27, used	18,49 €	22,00 €
M051A	10018	Valve spring set R24-60/2 (4pcs)	10,25 €	12,20 €
M051B	9018	Outer valve spring R24-R60/2	2,90 €	3,45 €
M052	034130	Rocker axle R25/3.26,27	22,52 €	26,80 €
M052A	0034140	Rocker bushing R25/3.26,27	7,14 €	8,50 €
M053A	51472	Exhaust valve, 2 slotted keyway, R24-R60/2	20,17 €	24,00 €
M053B	26107	Exhaust valve, non rotating, short cone R24-R60/2	20,17 €	24,00 €
M053C	26109	Exhaust valve, 32mm, long cone R24-R60/2	20,17 €	24,00 €
M053D	26170	Intake valve, 2 slotted keyway	15,97 €	19,00 €
M053E	26101	Intake valve, short conus, 34mm	15,97 €	19,00 €
M053F	26501	Intake valve, 34mm, long cone	15,97 €	19,00 €
M054	21136	Cylinder head mounting bolt R25/2-R60/2	7,44 €	8,85 €
M055B	21119	Distance washer for rocker arm bracket, R25-R69S	0,42 €	0,50 €
M056	34112	Rocker arm thrust washer R24-R60/2	2,48 €	2,95 €
M057A	03380	Dowel pin for rocker cover R24, R25, R51/2	2,45 €	2,92 €
M057B	03390	Dowel pin for rocker cover R25/2, R25/3, R26, R27	2,94 €	3,50 €
M058B	10110	Push rod tube R26, R27 chrome plated	12,90 €	15,35 €
M058C	10105	Push rod tube R24, R25, stainless steel	12,90 €	15,35 €
M058D	10111	Push rod tube R26, R27, stainless steel	12,90 €	15,35 €
M059A	106001	Cylinder-head, Rebuilt, various types, naked	294,12 €	350,00 €
M059C	30030	Cylinder-head rebuild-job, R24-R60/2. Send in all parts!	117,65 €	140,00 €
M060	10011	Cylinder R26/27, new	490,00 €	583,10 €
M060A	10013	Cylinder bore & hone job (68-70mm)	69,33 €	82,50 €
M060B	10014	Cylinder sleeve replacing (68,00mm)	151,26 €	180,00 €
M060D	5068	Cylinder powder-coating, black or other	64,62 €	76,90 €
M060E	10004	Cylinder 250cc, rebored, various types, from	210,08 €	250,00 €
M061	37031	Bearing shield R25, R26, R27 camshaft, used	9,20 €	10,95 €
M062	32100	Timing chain R24, R25, R26, R27	7,35 €	8,75 €
M063	38031	Chain wheel, camshaft R24, R25, R26, R27, used	14,32 €	17,04 €
M063A	38032	Chain wheel, camshaft, R 24-26 "Tuning"	35,97 €	42,80 €
M063B	0032102	Chain wheel, camshaft R24-R27 new	26,00 €	30,94 €
M064A	53031	Breather spring R25, R26, used	1,43 €	1,70 €
M064B	54031	Breather spring R27, used	2,35 €	2,80 €
M065	52031	Brather bolt R24, R25, R26, R27, used	1,85 €	2,20 €
M066A	33120	Push rod R24, R25, R25/2, R25/3	22,98 €	27,35 €
M066B	33122	Push rod R26/27	22,98 €	27,35 €
M067A	31000	Camshaft R24-26, used	55,46 €	66,00 €
M067B	31004	Camshaft R27	231,09 €	275,00 €
M068a	33501	Tappet guide R25/2-R27	30,17 €	35,90 €
M068b	104031	Tappet guide R24, R25, R25/2, R25/3, R26, R27 used	13,20 €	15,71 €
M069	33016	Push rod rubber seal R25, R26, R27	1,51 €	1,80 €
M070	34126	Valve adjusting screw R25/2-27	7,14 €	8,50 €
M071A	33127	Tappet R24-R27, R51/3-R60/2	30,67 €	36,50 €
M071B	33128	Tappet R24-R27, R51/3-R60/2, 1st oversize	30,67 €	36,50 €
M071C	33129	Tappet R24-R27, R51/3-R60/2, 2nd oversize	30,67 €	36,50 €
M072	34128	Valve adjusting nut	0,42 €	0,50 €
M073	30102	Inner wave washer, camshaft R 24-69S, used	1,93 €	2,30 €
M074A	30104	Camshaft fixing bolt 1950-1969, R24-R69S	0,25 €	0,30 €
M074B	98170	Screw 6x16 allen head, flat	0,25 €	0,30 €



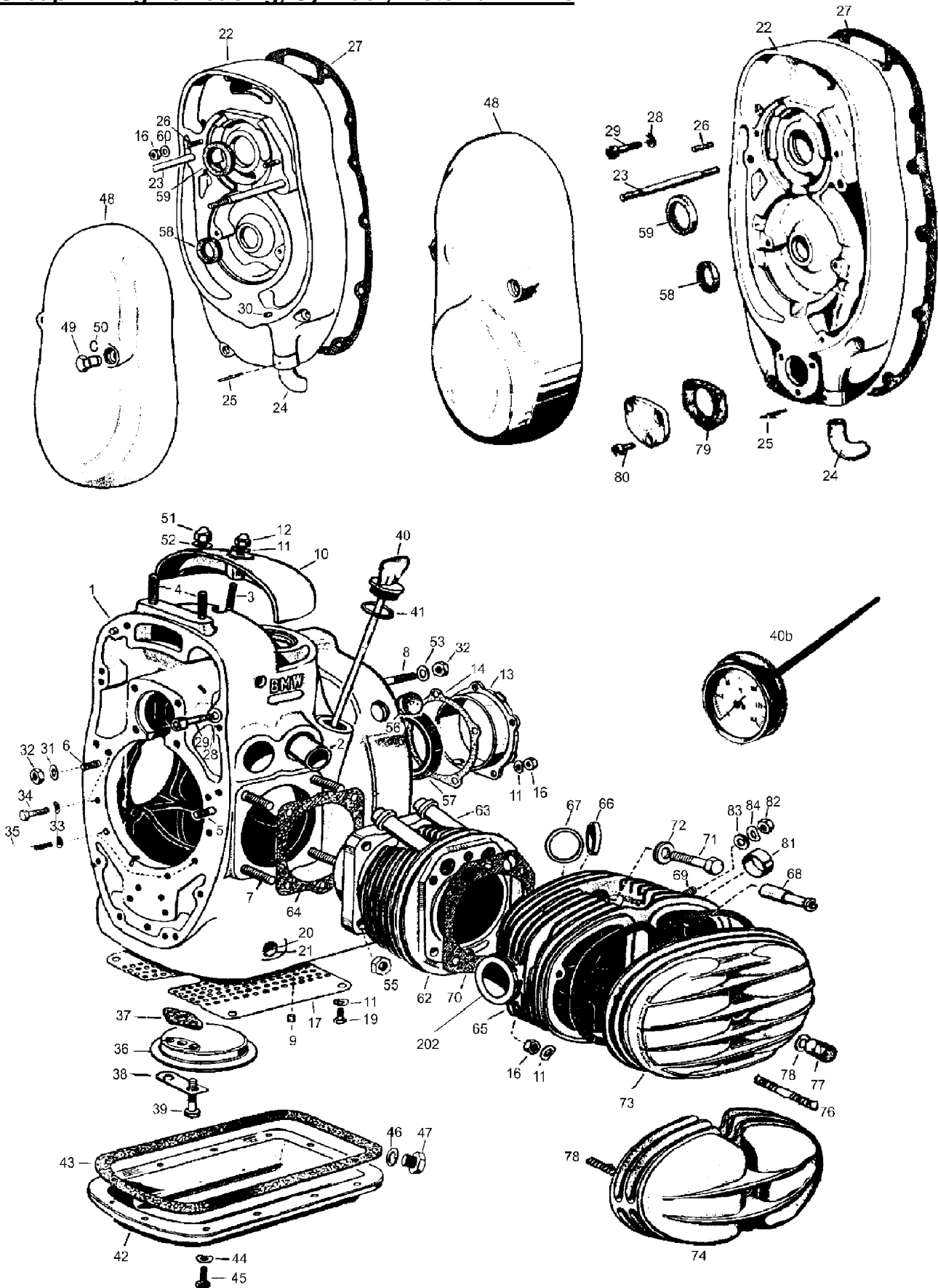
M075	6203	Bearing camshaft R24-R69S, auxiliary shaft R50-R69 pinion shaft R24, wheel R25-R25/2 crankshaft most front R51/3-R69	6,22 €	7,40 €
M076	51414	Woodruff key Camsh.R24-27,R51/2 , Oilp. R50/5-R90S->1975	1,51 €	1,80 €
M077	43031	Engine-breather R25-26, used	18,49 €	22,00 €
M078	34002	Rocker, complete, used R24-60/2 (indicate which)	38,32 €	45,60 €
M080	52135	Oil pump sieve gasket	0,97 €	1,15 €
M081	52120	Oil pump counter-gear R24-27 used	12,78 €	15,21 €
M082	52112	Oil pump gear R24-27 used	12,78 €	15,21 €
M083A	52109	Oil pump cover, stainless R25/2	10,25 €	12,20 €
M083B	52111	oil pump cover R25/3-27, cinsed	7,35 €	8,75 €
M083B	52110	Oil pump cover R25/3-27, stainless steel	11,12 €	13,23 €
M087	52130	Lock plate oilpump/oilpan	1,68 €	2,00 €
M088	63420	Oil dipstick seal	0,50 €	0,60 €
M089	52116	Oilpump drive shaft, used, R24-R26	16,72 €	19,90 €
M089a	0052116	Oilpump drive shaft, new, R24-R26	37,77 €	44,95 €
M090	52106	Oilpump R24-R27 complete, used	41,93 €	49,90 €
M091	107031	Oil pump strainer, used	10,08 €	12,00 €
M092B	1056	Thermo oil dipstick ->1969	37,77 €	44,95 €
M092C	09111	Oil control stick, polished	25,13 €	29,90 €
M093	70118	Fly wheel lock plate, R24-R25/3	2,77 €	3,30 €
M093a	0016504	Fly wheel lock plate, R26, R27	2,77 €	3,30 €
M094A	70104	Rear clutch ring R25, R25/2	46,01 €	54,75 €
M094B	70100	Clutch thrust ring rear R25/3, R26, R27	52,10 €	62,00 €
M095	61031	Clutch spring R26, used	23,11 €	27,50 €
M095	6103101	Clutch spring R25/3, used	23,11 €	27,50 €
M095	6103102	Clutch spring R27, used	23,11 €	27,50 €
M096	98454	Wave washer	0,05 €	0,06 €
M097	98155	Screw M6x16 hexagon	0,13 €	0,15 €
M098	68002	Flywheel R24-R27, indicate type!	92,02 €	109,50 €
M098	68022	Flywheel R26/27	189,03 €	224,95 €
M098A	70108	Fly wheel bolt R25, R25/2	8,82 €	10,50 €
M099	70500	Front clutch pressure plate R26, R27	69,03 €	82,15 €
M099A	70112	Front clutch plate R25, R25/2, new	67,14 €	79,90 €
M099B	70010	Clutch thrust plate front R25/3	68,91 €	82,00 €
M100A	6054	Clutch friction disc R24, R25, R25/2	43,70 €	52,00 €
M100B	1054	Clutch friction disk R25/3, R26, R27	43,70 €	52,00 €
M101	7018	Clutch spring set (3pc) R24-25/2	15,13 €	18,00 €
M102	99922	Chain tensioner set R24, R25, R26, R27 complete	12,02 €	14,30 €
M103	32110	Chain tensioner slide, R24, R25, R26, R27	6,01 €	7,15 €
M104	32535	Chain tensioner spring R24, R25, R26, R27	4,45 €	5,30 €
M105	99011	Chain tensioner bolt R24, R25, R26, R27	2,44 €	2,90 €
M106	98562	Dowel pin for engine/gearbox R50-R69S and carburator flange R25-R69S	3,32 €	3,95 €
M108A	16002	Crankshaft R24, R25, R25/2, 25/3 IN EXCHANGE	191,60 €	228,00 €
M108AA	0016002	Crankshaft R24, R25, R25/2, R25/3 NEW	281,22 €	334,65 €
M108B	16003	Crankshaft R26 IN EXCHANGE	191,60 €	228,00 €
M108BA	0016003	Crankshaft R26 NEW	281,22 €	334,65 €
M108BAA	1016003	Crankshaft R26, 72mm Hub NEW	381,22 €	453,65 €
M108BAAA	1016004	Crankshaft R26, 72mm Hub in Exchange	275,00 €	327,25 €
M108C	16020	Crankshaft R27 IN EXCHANGE	191,60 €	228,00 €
M108CA	0016020	Crankshaft R27 NEW	281,22 €	334,65 €
M108CAA	1016020	Crankshaft R27, 72mm Hub NEW	381,22 €	453,65 €
M108CAAA	1016021	Crankshaft R27, 72mm Hub in Exchange	275,00 €	327,25 €
M110	1068	Repair of exhaust thread (when a rest of your old thread still exists)	95,50 €	113,65 €
M111	00094	Spark-thread repair	118,07 €	140,50 €
M111	98501	Thread insert for short spark plug	4,16 €	4,95 €
M111	98502	Threat insert for long spark plug	5,00 €	5,95 €
M112A	1017	Copper paste 5½ ml.	0,92 €	1,09 €
M112B	46011	Copper paste 100 gr.	7,98 €	9,50 €
M113	03209	Dowel pin for valve cover R51/3-69S (small) timing case, gearbox cover	1,51 €	1,80 €
M114A	024571	Elastic gasket grease, 80ml	8,36 €	9,95 €
M114B	024570	Elastic gasket grease, 20ml	3,61 €	4,30 €
M114C	024573	Gasket grease Curil K, 75ml	9,16 €	10,90 €
M115	98564	Dowel pin engine/gearbox R24-R27	2,48 €	2,95 €
M116A	3064	Bearing crankshaft R26/27 rear, crankshaft R51/2-R69S, crownwheel R51/2-R68	12,44 €	14,80 €
M116B	1085	Bearing reinforced, w/ nylon cage, crankshaft R26/27 rear end, crankshaft R51/2-R69S	45,80 €	54,50 €
M116C	1086	Bearing FAG nylon cage, crankshaft R26/27 rear end, crankshaft R51/2-R69S	34,41 €	40,95 €



M116D 90085 Bearing w/ brass cage, crankshaft R26/27 rear end, crankshaft R51/2-R69S

62,94 € 74,90 €

Group N: Engine housing, Cylinder, Piston all Twins



<u>Picture-No.</u>	<u>Article-No.</u>	<u>Description</u>	<u>Net</u>	<u>Gross</u>
N	22082	Wave washer B 8	0,08 €	0,10 €
N000	600016	Engine gasket set (no.07), R68, R69, complete	56,26 €	66,95 €
N000A	600005	Engine gasket set (No.06), R51/3 - 67/3, complete	56,26 €	66,95 €
N000B	600006	Engine gasket set (No.08), R50, R60 "old" complete	56,26 €	66,95 €



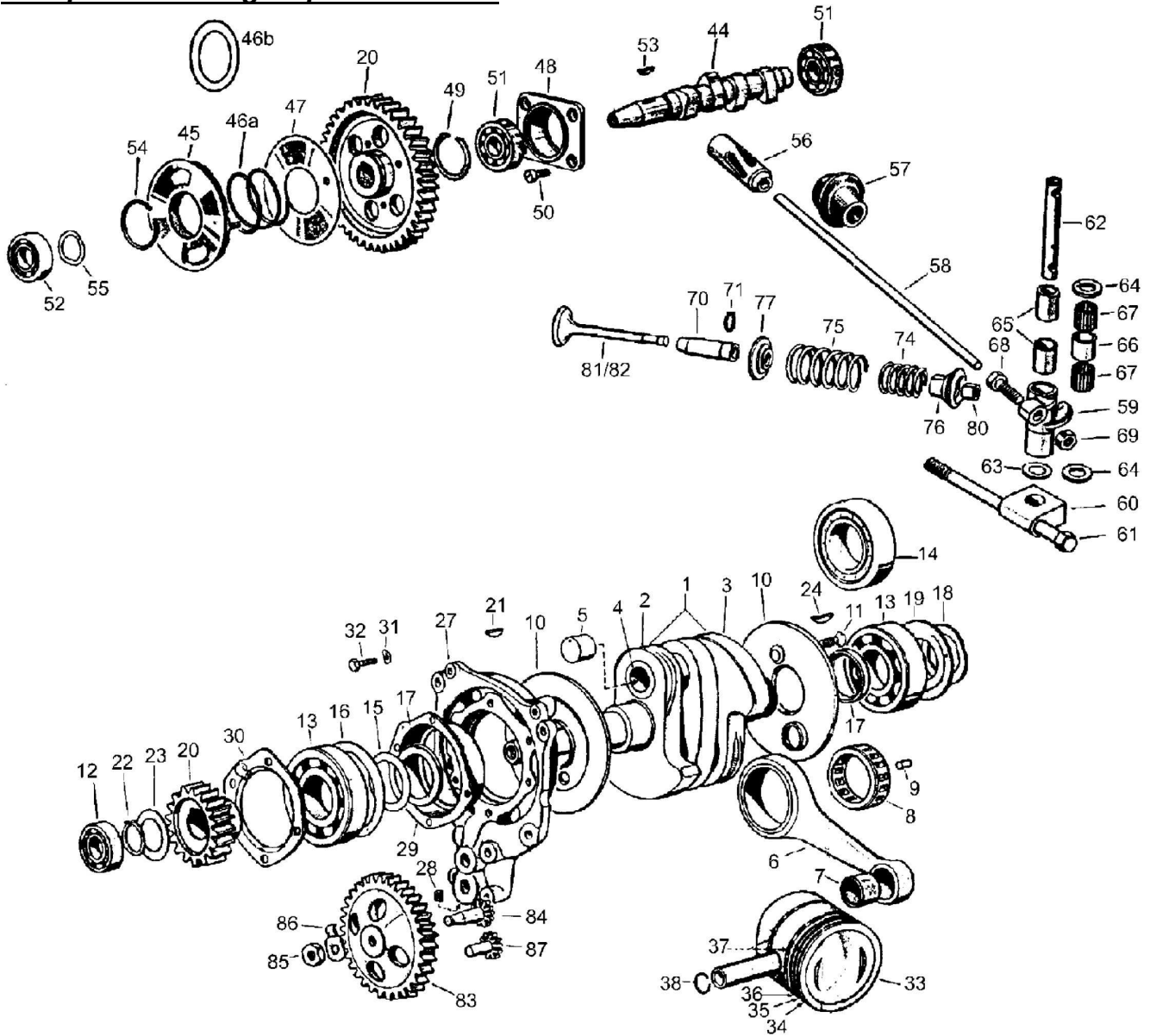
N000C	600007	Engine gasket set (No.09), R50/2, R50S, R60/2 complete	56,26 €	66,95 €
N000D	600010	Engine gasket set (No.10), R69S, complete	56,26 €	66,95 €
N000E	600013	Engine gasket set (No.05), R51/2 complete	58,74 €	69,90 €
N001	8036188	Grommet for Ignition Timing R51/2, R68, R68	9,66 €	11,50 €
N001A	01005	Engine housing R51/3-R60 "early", used	252,10 €	300,00 €
N001B	01031	Engine housing R50/2-R69S, used	384,87 €	458,00 €
N002	105031	Tapped guide R51/3-R69S used	12,80 €	15,23 €
N003	98558	Dowel pin for engine breather cover R51/3-R69S	3,53 €	4,20 €
N003	03209	Dowel pin for valve cover R51/3-69S (small) timing case, gearbox cover	1,51 €	1,80 €
N004	98562	Dowel pin for engine/gearbox R50-R69S and carburator flange R25-R69S	3,32 €	3,95 €
N007	1241928	Dowel pin rear drive/swing arm R50/5-R100 ->84	1,85 €	2,20 €
N007	9903416	Dowel pin for cylinder base, R24-R69S	5,00 €	5,95 €
N007A	0001196	Dowel pin for cylinder base R51/2	2,50 €	2,98 €
N008A	98566	Dowel pin engine/gearbox R51/2-R68	3,28 €	3,90 €
N008B	98562	Dowel pin for engine/gearbox R50-R69S and carburator flange R25-R69S	3,32 €	3,95 €
N010	106031	Breather cover R51/3-R69S, used	9,20 €	10,95 €
N011	98454	Wave washer	0,05 €	0,06 €
N012A	32070	Knurled nut for breather cover R51/3-68	2,56 €	3,05 €
N012B	99006	Cap nut M6 stainless	0,84 €	1,00 €
N012B	0002193	Cap nut for breather cover R50-R69S remaining stock	2,48 €	2,95 €
N013A	01162	Bearing shield R51/3-68, R50,R60 crankshaft rear	70,00 €	83,30 €
N013B	79001	Bearing shield, crankshaft rear R50/2-69S	70,00 €	83,30 €
N014	01164	Bearing shield gasket R51/3-69S	1,43 €	1,70 €
N016	98323	Nut M6, cinked	0,13 €	0,15 €
N017	01116	Oil sieve, used	7,39 €	8,79 €
N019	98156	Screw M6x10 hexagon	0,13 €	0,15 €
N022A	7031	Timing cover R50/2-R69S, used	126,05 €	150,00 €
N022B	6031	Timing cover R51/3-R50"early", used	109,24 €	130,00 €
N023A	01178	Dowel pin for generator cover R51/3-R67, M6/M6	5,80 €	6,90 €
N023B	01177	Dowel pin for generator cover R51/3-R69S M8/M6	7,73 €	9,20 €
N024	02167	Breather tube R51/3-R50, zincd, angulary cut	10,76 €	12,80 €
N024A	02166	Breather pipe R50/2-69S, zincd, short	10,76 €	12,80 €
N027A	92172	Timing cover gasket R51/3-R69S	2,69 €	3,20 €
N027B	02164	Timing cover gasket R51/2	5,01 €	5,96 €
N028	98411	Washer cinked	0,05 €	0,06 €
N029	98168	Screw M 6x40 allen-head	0,25 €	0,30 €
N036	107031	Oil pump strainer, used	10,08 €	12,00 €
N037	52135	Oil pump sieve gasket	0,97 €	1,15 €
N038	52130	Lock plate oilpump/oilpan	1,68 €	2,00 €
N040A	09126	Oil level dip stick R51/3-R69S	23,95 €	28,50 €
N040B	09127	Oil dipstick R51/3-R69S, used	15,13 €	18,00 €
N040B	1056	Thermo oil dipstick ->1969	37,77 €	44,95 €
N041	63420	Oil dipstick seal	0,50 €	0,60 €
N042A	63031	Oil pan R51/3-69S, used	29,41 €	35,00 €
N042B	07029	Oil pan, aluminium, 2.5l, R51/3-69S	79,75 €	94,90 €
N043A	07156	Oil pan gasket R51/3-69S, Cork	3,87 €	4,60 €
N043A	0007156	Oil pan gasket R51/3-69S, paper	4,79 €	5,70 €
N043B	07150	Oil sump gasket R51/2	12,56 €	14,95 €
N044	98454	Wave washer	0,05 €	0,06 €
N046	2027	Drain plug copper gasket	0,67 €	0,80 €
N048	02187	Generator cover R50-69S 12V	104,96 €	124,90 €
N048B	117031	Generator cover R51/3-69S, 6V, used	81,43 €	96,90 €
N049	02191	Generator cover nut R51/3-R69S, hexagon, w/ring	5,50 €	6,55 €
N049A	0001194	Generator cover nut R51/2-R68, slotted	11,68 €	13,90 €
N050	07161	Lock ring for tool box srew	0,29 €	0,35 €
N051A	99008	Cap nut M8	0,80 €	0,95 €
N051B	99007	Cap nut M8 stainless	1,30 €	1,55 €
N055A	37789	Dodecagon nut cylinder base, cardan coupling	1,51 €	1,80 €
N055B	85002	Cylinder base nut M 10, 14mm tool	1,51 €	1,80 €
N055C	98370	Cylinder base nut M 10, 14mm tool, stainless	2,02 €	2,40 €
N056A	01106	Black rubber plug for timing control hole	1,26 €	1,50 €
N056B	43016	White rubber plug for timing control hole	1,26 €	1,50 €
N057A	01122	Seal-ring, crankshaft rear R26/27, R51/3-R69S	8,82 €	10,50 €
N057A	0112201	Seal-ring, crankshaft rear R26/27, R51/3-R69S "VITON" with spin	17,23 €	20,50 €
N057B	01123	Seal-ring, crankshaft rear R26-69S, silicone white	10,76 €	12,80 €
N057C	16220	Seal-ring, crankshaft rear R51/2	10,04 €	11,95 €



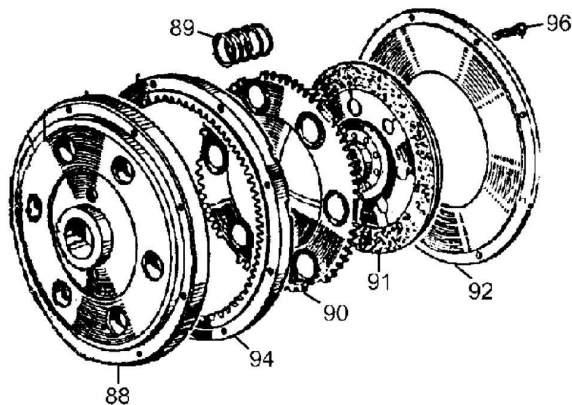
N057D	01124	Seal-ring, crankshaft R26-69S, silicon with spin	13,36 €	15,90 €
N057E	99204	Flywheel seal repair set R26/27, R51/3-R69S	40,17 €	47,80 €
N057F	99196	Repair set for flywheel seal-seat, R51/2 and more pre-war BMWs	35,29 €	42,00 €
N058A	02196	Seal-ring crankshaft front R51/3-60, kickstarter	3,70 €	4,40 €
N058B	02197	Seal-ring crank R50/2-R69S, kick starter R51/3-R68 cam shaft R60/6-R100	3,70 €	4,40 €
N059A	56562	Seal-ring, wheel and camshaft R51/3-69S	3,91 €	4,65 €
N059B	002190	Seal-ring camshaft R51/2 and pre-war	3,36 €	4,00 €
N059C	02199	Seal-ring camshaft R68,69	4,20 €	5,00 €
N062A	10031	Cylinder R60, R60/2	403,36 €	480,00 €
N062B	10013	Cylinder bore & hone job (68-70mm)	69,33 €	82,50 €
N062C	10012	Cylinder bore & hone job (72mm->)	85,00 €	101,15 €
N062D	10014	Cylinder sleeve replacing (68,00mm)	151,26 €	180,00 €
N062E	10015	Cylinder sleeve replacing (72,00mm)	161,34 €	191,99 €
N062F	5068	Cylinder powder-coating, black or other	64,62 €	76,90 €
N063	50213	Push rod tube R67-R69S, stainless steel	13,36 €	15,90 €
N063A	0101150	Push rod tube R51/2	20,97 €	24,95 €
N063B	50215	Push rod tube R51/3, R50, R50S, stainless steel	13,36 €	15,90 €
N063c	0050213	Push rod tube R60, R60/2, stainless steel	13,36 €	15,90 €
N064A	10158	Cylinder base gasket, 51/3-69S, special seal paper	1,93 €	2,30 €
N064B	10161	Cylinder base gasket, aluminium, R50-69S, 0.5mm	2,52 €	3,00 €
N064C	10163	Cylinder base gasket, R50-69S 1.5 mm, aluminum	3,99 €	4,75 €
N064D	10154	Cylinder base gasket R51/2	2,94 €	3,50 €
N065	106001	Cylinder-head, Rebuilt, various types, naked	294,12 €	350,00 €
N065C2	021031	Cylinder-head R69S right, new, without valves REMNANTS	756,30 €	900,00 €
N065D	30030	Cylinder-head rebuild-job, R24-R60/2. Send in all parts!	117,65 €	140,00 €
N065E	29030	Cylinder-head rebuild-job R69S, R60/5-R80/7. Sent in ALL parts!	120,00 €	142,80 €
N066A	00095	Valve seat replacing (incl.work)	83,95 €	99,90 €
N066B	21122	Intake valve seat R68, R69, R69S	13,49 €	16,05 €
N066C	54126	Intake valve seat R25-R50S, R67-/2, R60-/2	13,49 €	16,05 €
N067A	21123	Exhaust valve seat R68, R69, R69S	16,72 €	19,90 €
N067B	53700	Exhaust valve seat R25-R50S, R67-/3, R60-/2	16,72 €	19,90 €
N069	98562	Dowel pin for engine/gearbox R50-R69S and carburator flange R25-R69S	3,32 €	3,95 €
N070AB	0022118	Cylinder head gasket w/silicone R26,27,51/3-60/2	4,03 €	4,80 €
N070B	21148	Cylinder head gasket R51/2	5,00 €	5,95 €
N070C	22168	Cylinder head gasket R68, R69, R69S	4,87 €	5,80 €
N071	22108	Cylinder head mounting screw R69S short	5,46 €	6,50 €
N072	22166	Washer for cylinder head screw R69, R69S	2,51 €	2,99 €
N072	98501	Thread insert for short spark plug	4,16 €	4,95 €
N073	80030	Valve cover R51/3-60/2	50,84 €	60,50 €
N074	23027	Valve cover R68, R69, R69S	83,82 €	99,75 €
N075A	19054	Valve cover gasket	3,19 €	3,80 €
N075B	18054	Valve cover gasket R68, R69, R69S	4,03 €	4,80 €
N076A	08142	Dowel pin for valve cover R68-R69S, R50/5-R100 (center)	3,19 €	3,80 €
N076B	08329	Dowel pin for valve cover R51/3-60/2 (center)	4,12 €	4,90 €
N076C	03380	Dowel pin for rocker cover R24, R25, R51/2	2,45 €	2,92 €
N077	102001	Chrome nut for valve cover R51/3-R69S	3,32 €	3,95 €
N078	03209	Dowel pin for valve cover R51/3-69S (small) timing case, gearbox cover	1,51 €	1,80 €
N079	02171	Revolution cover gasket	1,64 €	1,95 €
N079a	42161	Pin for RPM-drive	0,29 €	0,35 €
N079b	80159	Revolution drive R50-69S (for oilpump drive)	331,93 €	395,00 €
N079c	52169	Revolution counter gear (oilpump drive) R50-R69S	41,93 €	49,90 €
N079d	0052165	Nut, left-thread, rev-counter-gear R 50-69S	3,78 €	4,50 €
N079e	9932104	B10 small wave washer for 52169 Revolution counter gear (oilpump)	0,50 €	0,60 €
N080	98165	Screw M6x16, allen-head	0,17 €	0,20 €
N081	43168	Carburettor centering sleeve R69S	4,12 €	4,90 €
N202	1068	Repair of exhaust thread (when a rest of your old thread still exists)	95,50 €	113,65 €
N203	90139	Wrench for finned exhaust nut forged steel, professional workshop quality	23,53 €	28,00 €
N204	00094	Spark-thread repair	118,07 €	140,50 €
N204A	46011	Copper paste 100 gr.	7,98 €	9,50 €
N204B	1017	Copper paste 5½ ml.	0,92 €	1,09 €



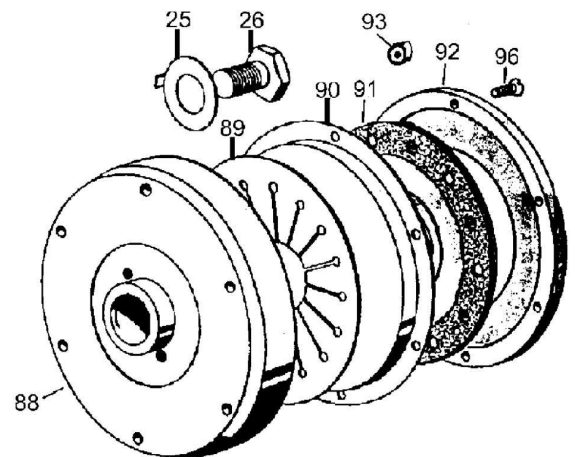
Group W: Inner engine parts all Twins



R51/2-R68



R50-69S



<u>Picture-No.</u>	<u>Article-No.</u>	<u>Description</u>	<u>Net</u>	<u>Gross</u>
W0002A	0016234	Crank pin R51/3, R50 "old"	24,58 €	29,25 €
W0002B	0016262	Crank pin R50/2, R50 S	24,58 €	29,25 €



W0002C	02016246	Crank pin R50/2, R50S long	24,58 €	29,25 €
W0002D	0016233	Crank pin R67-R67/3, R60 "old"	29,75 €	35,40 €
W0002E	0016231	Crank pin R68, R69, R60/2 conic	29,75 €	35,40 €
W0002F	0016263	Crank pin R60/2, R69S	29,75 €	35,40 €
W0002G	10016263	Crank pin R69S long	29,75 €	35,40 €
W001	16039	Crankshaft R50 IN EXCHANGE	369,75 €	440,00 €
W001A	16060	Crankshaft R50/2, R50S IN EXCHANGE	369,75 €	440,00 €
W001B	16027	Crankshaft R51/3 IN EXCHANGE	369,75 €	440,00 €
W001C	16045	Crankshaft R60 IN EXCHANGE	369,75 €	440,00 €
W001CA	0016045	Crankshaft R60 (old version) NEW	924,37 €	1.100,00 €
W001D	16062	Crankshaft R60/2, 125er Conrod IN EXCHANGE	369,75 €	440,00 €
W001DA	0016062	Crankshaft R60/2, 125er Conrod NEW	924,37 €	1.100,00 €
W001E	16031	Crankshaft R67, R67/2, R67/3 IN EXCHANGE	369,75 €	440,00 €
W001EA	0016031	Crankshaft R67, R67/2, R67/3 NEW	924,37 €	1.100,00 €
W001F	16035	Crankshaft R68, R69 IN EXCHANGE	369,75 €	440,00 €
W001G	16066	Crankshaft R69S IN EXCHANGE	369,75 €	440,00 €
W001N	0016066	Crankshaft R69S NEW	924,37 €	1.100,00 €
W006AA	90443	Conrod set for R51/2 with roller cage and crank pin	135,00 €	160,65 €
W006AB	90444	Conrod set for R51/3 with roller cage and crank pin	135,00 €	160,65 €
W006B	90445	Conrod set for R67 with roller cage and crank pin	135,00 €	160,65 €
W006C	90446	Conrod set for R50 with roller cage and crank pin	135,00 €	160,65 €
W006D	90447	Conrod set for R50/2, R50S with roller cage and crank pin	135,00 €	160,65 €
W006D	9044701	Conrod set for R50/2, R50S (long) with roller cage and crank pin	135,00 €	160,65 €
W006E	90448	Conrod set for R60/2 (125mm) with roller cage and cylindric crank pin	135,00 €	160,65 €
W006EA	90451	Conrod set for R60/2 (125mm) with roller cage and conic crank pin	135,00 €	160,65 €
W006F	90449	Conrod set for R60 (130mm) with roller cage and crank pin	135,00 €	160,65 €
W006G	90450	Conrodset for R69S with roller cage and crank pin	135,00 €	160,65 €
W006GA	904418	Conrod set for R68, R69 with roller cage and crank pin	135,00 €	160,65 €
W006GA	90452	Conrod set R69S (long for last model) with roller cage and crank pin	135,00 €	160,65 €
W006HA	0090441	Conrod for R26, R50, R50/2, R50S	90,00 €	107,10 €
W006HA	0090443	Conrod for R26, R50, R50/2, R50S	90,00 €	107,10 €
W006HB	0090442	Conrod for R60/2	84,37 €	100,40 €
W006HC	0092441	Conrod for R51/3	90,00 €	107,10 €
W006HD	0092442	Conrod for R51/2, R60, R67, R68, R69, R69S	84,37 €	100,40 €
W006HD	0092443	Conrod for R51/2, R60, R67, R68, R69, R69S	84,37 €	100,40 €
W006HD	0092444	Conrod for R51/2, R60, R67, R68, R69, R69S	84,37 €	100,40 €
W007A	4027	Conrod bushing 18mm	7,39 €	8,80 €
W007B	3027	Conrod bushing 20mm	7,39 €	8,80 €
W008A	17720	Roller cage for 5mm rollers, big	28,12 €	33,46 €
W008B	16128	Roller cage, boxer, used	28,12 €	33,46 €
W009A	16824	Conrod roller 5x10.00	0,41 €	0,49 €
W009A	16824	Conrod roller 5x10.00	40,00 €	47,60 €
W009A	16824	Conrod roller 5x10.00	50,00 €	59,50 €
W009B	168245	Conrod roller 5x10 +0,04	0,41 €	0,49 €
W009B	168246	Conrod roller 5x10 +0,05	0,41 €	0,49 €
W009B	168244	Conrod roller 5x10 +0,03	0,41 €	0,49 €
W009B	168243	Conrod roller 5x10 +0,02	0,41 €	0,49 €
W009B	168241	Conrod roller 5x10 +0,01	0,41 €	0,49 €
W009C	168247	Conrod roller 7x10 +0,02	0,41 €	0,49 €
W009C	168248	Conrod roller 7x10 +0,03	0,41 €	0,49 €
W009C	168249	Conrod roller 7x10 +0,04	0,41 €	0,49 €
W009C	168250	Conrod roller 7x10 +0,05	0,41 €	0,49 €
W009C	168250	Conrod roller 7x10 +0,05	40,00 €	47,60 €
W009C	168250	Conrod roller 7x10 +0,05	50,00 €	59,50 €
W009C	16140	Conrod roller 7x10.00	0,41 €	0,49 €
W009D	168242	Conrod roller 7x10 +0,01	0,41 €	0,49 €
W010A	16216	Oil slinger R50"old", R51/2, /3	12,23 €	14,55 €
W010B	16217	Oil slinger R60, R67	12,23 €	14,55 €
W010C	16219	Oil slinger R50/2, R50S	12,23 €	14,55 €
W010D	16221	Oil slinger R60/2, R68, R69, R69S	12,23 €	14,55 €
W010DA	16218	Oil slinger R68	17,23 €	20,50 €
W011	00106	Oil slinger screw	0,46 €	0,55 €
W012A	7064	Bearing crankshaft front end, R50/2 + R60/2 + R69S	7,14 €	8,50 €
W013A	3064	Bearing crankshaft R26/27 rear, crankshaft R51/2-R69S, crownwheel R51/2-R68	12,44 €	14,80 €
W013B	1085	Bearing reinforced, w/ nylon cage, crankshaft R26/27 rear end, crankshaft R51/2-R69S	45,80 €	54,50 €



W013C	1086	Bearing FAG nylon cage, crankshaft R26/27 rear end, crankshaft R51/2-R69S	34,41 €	40,95 €
W013D	90085	Bearing w/ brass cage, crankshaft R26/27 rear end, crankshaft R51/2-R69S	62,94 €	74,90 €
W014A	1065	Spherical roller bearing (plastic cage) R51/2-69S, crank shaft rear	128,99 €	153,50 €
W014B	1066	Spherical roller bearing (solid brass cage) R51/3-R69S crank shaft rear	159,58 €	189,90 €
W015A	16268	Front crank spacer R50/2-R69S	4,62 €	5,50 €
W015B	16240	Crank spacer front R51/3-R60"early"	3,32 €	3,95 €
W016	0016244	spacer crank shaft baering front (17mm Konus) R51/3-R67, R50, R60 (not for /2 modells)	5,80 €	6,90 €
W017A	16212	Front and rear Crank spacer R51/3-R67, R50/60"old"	3,78 €	4,50 €
W017B	16266	Spacer washer for rear crankshaft R50/2-69S	1,93 €	2,30 €
W018	16130	Spring washer for rear crankshaft bearing R26-69S	1,51 €	1,80 €
W019	16252	Oil splash plate for crankshaft R51/3-69S	4,58 €	5,45 €
W020	16389	Timing gear set R51/3-69S. Two gears w/designation. Only the newer gearing is available.	304,20 €	362,00 €
W020C	32129	Timing chain R51, R51/2	58,74 €	69,90 €
W021	51480	Woodruff key for crankshaft R51/3-R100 front, crank shaft rear R24-R25/2, camshaft R50/5->	1,51 €	1,80 €
W022	34171	Lock ring 25x1.2, crankshaft 51/3-60 old	0,42 €	0,50 €
W024	16132	Woodruff key for crankshaft R25/3-R69S, rear	1,51 €	1,80 €
W025	16224	Fly wheel lock plate R51/2, R51/3, R67	2,77 €	3,30 €
W025a	0016225	Fly wheel lock plate R68, R50-R69S	3,28 €	3,90 €
W026A	16228	Fly wheel srew R51/3-67/3, SW 36	13,36 €	15,90 €
W026B	16251	Flywheel bolt R50-69S SW 41	13,28 €	15,80 €
W027	109001	Bearing shield R50/2-R69S crankshaft front	173,82 €	206,85 €
W027A	02029	Bearing shield R51/3-67/3 crankshaft front, used	143,10 €	170,29 €
W027B	02151	Bearing shield R50-R60 crankshaft front, used	142,77 €	169,90 €
W029	02156	Bearing shield bush R51/3-R69S crankshaft front, used	20,97 €	24,95 €
W030A	02176	Bearing shield cover R51/3-R67/3, R50, R60 old and used	30,68 €	36,51 €
W030B	02174	Bearing shield cover R50/2-R69S, used	30,67 €	36,50 €
W032	9913499	Screw oilpump-cover R60/6-R100RT, 09/76->	0,38 €	0,45 €
W033A1	12294	Piston R50,R50/2 68.00mm	100,84 €	120,00 €
W033A2	12295	Piston R50, R50/2, 68.50	100,84 €	120,00 €
W033A4	12296	Piston R50, R50/2, 69.00mm	100,84 €	120,00 €
W033A6	12297	Piston R50, R50/2 (69.5mm) (one piece)	100,84 €	120,00 €
W033A6	2297695	Piston R50, R50/2 (69.5mm) (one piece) original	126,05 €	150,00 €
W033A7	12298	Piston R50, R50/2, 70.00mm	100,84 €	120,00 €
W033A7	1229870	Piston R50, R50/2, 70.00mm, original	126,05 €	150,00 €
W033A7	1229669	Piston R50, R50/2, 69.00mm, original	126,05 €	150,00 €
W033B	12251	Piston R50S, R26 Tuning, 68.00	100,84 €	120,00 €
W033B1	12254	Piston R50S, R26 Tuning, 68.50	100,84 €	120,00 €
W033B2	12257	Piston R50S, R26 Tuning, 69.00	100,84 €	120,00 €
W033B3	922001	Piston R50S, R26 Tuning, 69.50	100,84 €	120,00 €
W033B4	922002	Piston R50S, R26 Tuning, 70.00	100,84 €	120,00 €
W033C1	12050	Piston R51/2-/3, 68.00	100,84 €	120,00 €
W033C2	12051	Piston R51/2-/3, 68.50	100,84 €	120,00 €
W033C3	12052	Piston R51/2-/3, 69.00	100,84 €	120,00 €
W033C4	12053	Piston R51/2-/3, 69.50	100,84 €	120,00 €
W033C5	12054	Piston R51/2-/3, 70.00	100,84 €	120,00 €
W033D1	012227	Piston R60, 72.00, 130mm conrod	100,84 €	120,00 €
W033D2	012230	Piston R60, 72.50, 130mm conrod	100,84 €	120,00 €
W033D3	012233	Piston R60, 73.00, 130mm conrod	100,84 €	120,00 €
W033D4	012234	Piston R60, 73.50, 130mm conrod	100,84 €	120,00 €
W033D5	012235	Piston R60, 74.00, 130mm conrod	100,84 €	120,00 €
W033D6	9122324	Piston R60, 72,00mm, 130mm conrod, original	126,05 €	150,00 €
W033D7	12232	Piston R60, 72.50, 130mm conrod, original	126,05 €	150,00 €
W033D8	9122323	Piston R60, 73,00mm, 130mm conrod, original	126,05 €	150,00 €
W033F4	912258	Piston R60/2, 72.00, 125mm conrod	100,84 €	120,00 €
W033F5	912259	Piston R60/2, 72.50, 125mm conrod	100,84 €	120,00 €
W033F5	912260	Piston R60/2, 73.00, for 125mm conrod	100,84 €	120,00 €
W033F6	912261	Piston R60/2, 73.50, 125mm conrod	100,84 €	120,00 €
W033F7	912262	Piston R60/2, 74.00, 125mm conrod	100,84 €	120,00 €
W033G1	012070	Piston R67-/3, R 35, 72.0mm	100,84 €	120,00 €
W033G10	9999987	Piston R67-67/3, 72,00mm, Original	117,65 €	140,00 €
W033G2	12078	Piston R67-/3, R 35, 72.5mm	100,84 €	120,00 €
W033G3	12079	Piston R67-/3, R 35, 73.0mm	100,84 €	120,00 €
W033G4	12080	Piston R67-/3, R 35, 73.5mm	100,84 €	120,00 €
W033G6	012081	Piston R67-/3, R 35, 74.0mm	100,84 €	120,00 €



W033G6a	12076	Piston R67-67/3, 75mm	100,84 €	120,00 €
W033G7	9999984	Piston R67-67/3, 72,50mm, Original	117,65 €	140,00 €
W033G8	9999985	Piston R67-67/3, 73,50mm, Original	117,65 €	140,00 €
W033H0	12081	Piston R68, R69, 72.00mm	100,84 €	120,00 €
W033H1	12088	Piston R68, R69, 72.50mm	100,84 €	120,00 €
W033H2	12089	Piston R68, R69, 73.00mm	100,84 €	120,00 €
W033H3	12090	Piston R68, R69 73.5mm	100,84 €	120,00 €
W033H4	12091	Piston R68, R69, 74.00mm	100,84 €	120,00 €
W033H5	9912089	Piston R68, R69, 73.00mm, original	134,45 €	160,00 €
W033H6	9912090	Piston R68, R69, 72,50mm, original	134,45 €	160,00 €
W033H7	9912091	Piston R68, R69, 72,00mm, original	134,45 €	160,00 €
W033J1	912276	Piston R69S 72.00mm	100,84 €	120,00 €
W033J2	912277	Piston R69S, 72,5, (one piece)	100,84 €	120,00 €
W033J2	9122772	Piston R69S, 72,5, (one piece) original	163,78 €	194,90 €
W033J3	912278	Piston R69S 73.00mm	100,84 €	120,00 €
W033J3	9122783	Piston R69S 73.00mm, original	163,78 €	194,90 €
W033J4	912279	Piston R69S 73.5mm	100,84 €	120,00 €
W033J4	9122794	Piston R69S 73.5mm, original	163,78 €	194,90 €
W033J5	912280	Piston R69S 74.00mm	100,84 €	120,00 €
W033J6	9122761	Piston R69S 72.00mm, original	163,78 €	194,90 €
W034	1014547	Piston ring compression, 73.5mm, chrome, 1,75mm	5,63 €	6,70 €
W034A	14330	Piston ring set (3 pcs), 68.0-70.0 (indicate size)	16,39 €	19,50 €
W034B	14335	Piston ring set (3 pcs), 72.0-74.0 (which size?)	19,41 €	23,10 €
W034C	1250327	Piston ring compression, 73.mm, chrome, 2mm first Ring	5,63 €	6,70 €
W034E	1250328	Piston ring compression, 73,5mm, chrome, 2mm first Ring	5,63 €	6,70 €
W035*	1014546	Piston ring compression 72,5mm, first ring, chrome	5,63 €	6,70 €
W035*	2014546	Piston ring compression 72,5mm, second ring	5,63 €	6,70 €
W035*	1256485	Piston ring compression 72,0mm, first ring, chrome	5,63 €	6,70 €
W035*	2256485	Piston ring compression 72,00mm, second ring	5,63 €	6,70 €
W035A	14217	Piston ring compression 68,0-70,5mm (define your needed oversize!)	4,58 €	5,45 €
W035A	1142171	Piston ring compression 69,00mm, 1.st Ring	4,58 €	5,45 €
W035A	1014217	Piston ring compression 68,0mm, 1st Ring	4,58 €	5,45 €
W035A	2014217	Piston ring compression 68,0mm, 2nd Ring	4,58 €	5,45 €
W035B	14546	Piston ring compression 72-74mm (indicate size!)	5,63 €	6,70 €
W035C	2014213	Piston ring compression 73mm, second ring	5,63 €	6,70 €
W035D	2014214	Piston ring compression 73,5mm, second ring	5,63 €	6,70 €
W037A	14160	Piston oil ring 68,0-70,5mm (indicate size!)	7,44 €	8,85 €
W037B	14142	Piston oil ring 72-74.0mm (indicate size!)	9,45 €	11,25 €
W037C	3014546	Piston ring oilring 72,5mm, third ring	5,63 €	6,70 €
W037C	3256485	Piston ring oilring 72,00mm, third ring	5,63 €	6,70 €
W037D	3014216	Piston ring oilring 73,0mm, third ring	5,63 €	6,70 €
W037E	3014217	Piston ring oilring 73,5mm, third ring	5,63 €	6,70 €
W038	14203	Piston clip 20mm	1,05 €	1,25 €
W038A	9026	Piston clip 18mm	1,07 €	1,27 €
W038B	14202	Piston clip 20mm	1,05 €	1,25 €
W038C	40822	Piston pin 18mm	8,19 €	9,75 €
W038D	40823	Piston pin 20 x 60mm	8,19 €	9,75 €
W038E	4082356	Piston pin 20 x 56mm	8,19 €	9,75 €
W044A	31028	Camshaft R51/3-60/2	148,28 €	176,45 €
W044B	31027	Camshaft R51/3-R60/2, used	76,69 €	91,26 €
W044C	31030	Camshaft R50S, R69S	148,27 €	176,44 €
W044CA	97030	Camshaft R50S,69S RO160 for race bikes	178,57 €	212,50 €
W044CB	97031	Camshaft R50S,69S RO113 for race bikes	184,79 €	219,90 €
W044D	31025	Camshaft R51/2, R51, R5 r/h	193,19 €	229,90 €
W044D	0031026	Camshaft R51/2, R51, R5 l/h	193,19 €	229,90 €
W044E	31029	Camshaft R68, R69	158,50 €	188,62 €
W045A	47031	Engine breather, R 51/3-69S, used, with pins	26,05 €	31,00 €
W045B	31171	Engine breather disc R50/2-69S, oval pins	100,76 €	119,90 €
W046A	31152	Engine breather spring, R 51/3-69S, used	6,30 €	7,50 €
W046B	31707	Spring washer for engine breather	1,43 €	1,70 €
W047	31164	Cover disk for breather R51/3-R60/2, used	4,03 €	4,80 €
W048	108031	Bearing shield R51/3-R69S camshaft, used	12,77 €	15,20 €
W049	30102	Inner wave washer, camshaft R 24-69S, used	1,93 €	2,30 €
W050	30104	Camshaft fixing bolt 1950-1969, R24-R69S	0,25 €	0,30 €
W051	6203	Bearing camshaft R24-R69S, auxiliary shaft R50-R69 pinion shaft R24, wheel R25-R25/2 crankshaft most front R51/3-R69	6,22 €	7,40 €



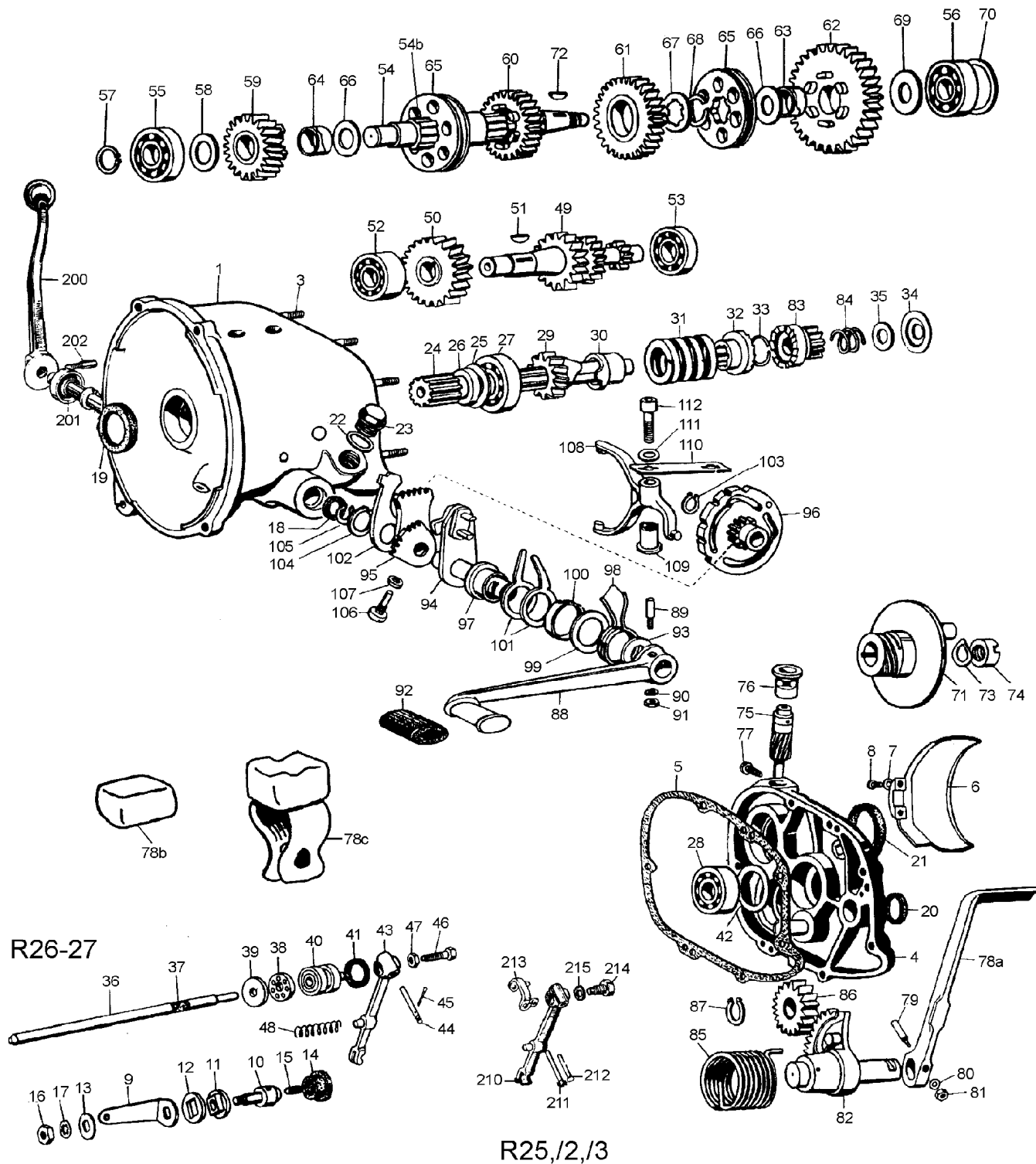
W052	81041	Bearing camshaft front R68, R69	6,19 €	7,37 €
W053	51461	Woodruff key camshaft R51/3-R69S, gearbox flange twins ->1969	1,51 €	1,80 €
W054	33451	Lock washer for engine breather R51/3-69S	1,68 €	2,00 €
W056A	33127	Tappet R24-R27, R51/3-R60/2	30,67 €	36,50 €
W056B	33128	Tappet R24-R27, R51/3-R60/2, 1st oversize	30,67 €	36,50 €
W056C	33129	Tappet R24-R27, R51/3-R60/2, 2nd oversize	30,67 €	36,50 €
W056D	33157	Tappet R68, R69, R69S	32,56 €	38,75 €
W056E	33158	Tappet R68, R69, R69S, 1st oversize	32,56 €	38,75 €
W056F	33159	Tappet R68, R69, R69S, 2nd oversize	32,56 €	38,75 €
W057A	33163	Push rod rubber seal R51/3-R69S	3,40 €	4,05 €
W057B	40001	Push rod rubber seal R51/2	3,40 €	4,05 €
W058A	33170	Push rod R51/3, R50, R50/2, R50S	22,65 €	26,95 €
W058B	33174	Push rod R60, R60/2, R67	22,98 €	27,35 €
W058C	33004	Push rod R68, R69, R69S	40,76 €	48,50 €
W058D	33172	Push rod R51/2	28,15 €	33,50 €
W059	0034172	Rocker arm R68, R69, R69S complete, In-L, Ex-R	127,73 €	152,00 €
W059A	34002	Rocker, complete, used R24-60/2 (indicate which)	38,32 €	45,60 €
W059AA	0034174	Rocker arm R68, R69, R69S complete, In-RH, Ex-LH	127,73 €	152,00 €
W059B	34172	Rocker arm R68-69S, In-L, Ex-R	58,03 €	69,06 €
W059C	34174	Rocker arm R68-69S, In-R, Ex-L	58,74 €	69,90 €
W060A	34158	Rocker arm support, R68,69,69S	19,75 €	23,50 €
W060B	21119	Distance washer for rocker arm bracket, R25-R69S	0,42 €	0,50 €
W061A	21136	Cylinder head mounting bolt R25/2-R60/2	7,44 €	8,85 €
W061B	22109	Cylinder head mounting bolt R69S (long)	6,51 €	7,75 €
W062A	034150	Rocker axle, R 51/3-60/2	15,55 €	18,50 €
W062B	34180	Rocker axle, R68, R69, R69S	20,46 €	24,35 €
W063	34112	Rocker arm thrust washer R24-R60/2	2,48 €	2,95 €
W064	34162	Rocker arm thrust-washer R 68-69S	2,52 €	3,00 €
W065	34145	Rocker arm bushing R50, R60/2	9,41 €	11,20 €
W066	34186	Rocker arm spacer bushing, R 68, R69, 69S	4,54 €	5,40 €
W067	34190	Needle for rocker arm bearing R68-69S	0,21 €	0,25 €
W068A	34176	Valve adjusting screw R51/3-R60/2	7,14 €	8,50 €
W068B	34178	Valve adjusting screw R68-R100	4,12 €	4,90 €
W069	34128	Valve adjusting nut	0,42 €	0,50 €
W070A	10027	Valve guide 7mm/13.05mm w/clip	6,55 €	7,79 €
W070Ab	100271	Valve guide 7mm/13.10mm w/clip	6,55 €	7,79 €
W070Ac	100272	Valve guide 7mm/13.15mm w/clip	6,55 €	7,79 €
W070Ad	100273	Valve guide 7mm/13.20mm w/clip	6,55 €	7,79 €
W070Ae	100274	Valve guide 7mm/13.25mm w/clip	6,55 €	7,79 €
W070Af	100275	Valve guide 7mm/13.30mm w/clip	6,55 €	7,79 €
W070Ag	100276	Valve guide 7mm/13.35mm w/clip	6,55 €	7,79 €
W070Ah	1002775	Valve guide 7mm/13.40mm w/clip	9,74 €	11,59 €
W070Ai	1002776	Valve guide 7mm/13.35mm w/clip	9,74 €	11,59 €
W070B	10029	Valve guide 8mm, 14... (oversize)	6,81 €	8,10 €
W070B	1002926	Valve guide 8mm, 14,26 (oversize) R50/5-R100GS	10,04 €	11,95 €
W070C	10028	Valve guide 8mm 13...mm	10,13 €	12,05 €
W071A	999002	Valve guide lock ring, 13mm	0,21 €	0,25 €
W071B	999003	Valve guide lock ring 14mm	0,25 €	0,30 €
W072	98502	Threat insert for long spark plug	5,00 €	5,95 €
W074A	11018	Inner valve spring R24-50S	2,44 €	2,90 €
W075A	9018	Outer valve spring R24-R60/2	2,90 €	3,45 €
W075B	13018	Valve spring R50/5-R100 & R68-69S new system	4,87 €	5,80 €
W075C	10018	Valve spring set R24-60/2 (4pcs)	10,25 €	12,20 €
W076A	2068	Upper valve plate, short cone	7,39 €	8,79 €
W076B	21806	Upper valve plate, long cone	7,39 €	8,79 €
W076C	21807	Upper valve plate for 2 slotted keyway	10,29 €	12,25 €
W076D	56554	Upper valve lock plate R50/5-R100, R68-R69S new system	3,32 €	3,95 €
W077A	26128	Lower valve plate R24-60/2	2,69 €	3,20 €
W077B	50233	Lower valve lock plate R50/5-R100, R68-R69S new system	3,28 €	3,90 €
W080A	26502	Valve keeper, 2 slotted keyway	2,48 €	2,95 €
W080B	26824	Valve keeper, short cone	2,44 €	2,90 €
W080C	26460	Valve keeper, long cone	2,44 €	2,90 €
W080D	26724	Valve keeper R50/5-R100, R68-69S new system	1,47 €	1,75 €
W081A	26170	Intake valve, 2 slotted keyway	15,97 €	19,00 €
W081B	26101	Intake valve, short conus, 34mm	15,97 €	19,00 €
W081C	26501	Intake valve, 34mm, long cone	15,97 €	19,00 €



W081D	26151	Intake valve R 68-69S, R60/5-60/7 38mm	29,75 €	35,40 €
W082A	51472	Exhaust valve, 2 slotted keyway, R24-R60/2	20,17 €	24,00 €
W082B	26107	Exhaust valve, non rotating, short cone R24-R60/2	20,17 €	24,00 €
W082C	26109	Exhaust valve, 32mm, long cone R24-R60/2	20,17 €	24,00 €
W082D	26180	Exhaust valve R50S short cone	31,93 €	38,00 €
W082E	56679	Exhaust valve R68-69S, R60/5, 34mm	29,75 €	35,40 €
W083A	107001	Oil pump wheel R50/2-69S, aluminium sharp angle, new style	109,16 €	129,90 €
W083B	52154	Oil pump wheel, aluminium, R51/3-60, old version numb angle	55,88 €	66,50 €
W084A	52166	Oil pump cpl. R51/3-69S = oil pump wheel, counter	66,47 €	79,10 €
W084B	52164	Oil pump gear w/left-threat	51,64 €	61,45 €
W085	52167	Oil pump nut left-threat	1,93 €	2,30 €
W086	52168	Lock plate oilpump front	1,93 €	2,30 €
W087	52171	Oil pump gear R51/3-69S	17,94 €	21,35 €
W088D	68027	Flywheel R51/3-R68, used	127,73 €	152,00 €
W089A	35030	Clutch spring R50-69S	41,93 €	49,90 €
W089B	8018	Clutch spring set R51/2-68 (6 pieces)	24,54 €	29,20 €
W090A	38001	Front clutch pressure plate R50-69S	75,21 €	89,50 €
W090B	70163	Clutch pressure plate, front, R51/3 (dents)	76,68 €	91,25 €
W091A	3054	Clutch friction disc R50-R69S	48,74 €	58,00 €
W091B	70025	Clutch friction disc R51/2-R68, 5mm (fits to thrust plate #70163)	48,74 €	58,00 €
W091BA	2054	Clutch friction disc R51/2-R68, 7mm	48,74 €	58,00 €
W092A	36030	Rear clutch plate R50-69S	52,10 €	62,00 €
W092B	70151	Rear clutch plate R51/3-68	61,30 €	72,95 €
W093	70511	Clutch spacer R50-69S	5,55 €	6,60 €
W094	070188	Spocket ring, clutch R51/3, used	51,13 €	60,84 €
W096A	56001	Clutch screw R51/2, R50-R69S, M8, slit	0,97 €	1,15 €
W096B	31463	Screw clutch R50/5-R100 >09/80, Allen head	1,47 €	1,75 €
W096C	00120	Clutch screw R51/3-R68, M6	0,46 €	0,55 €
W200A	024570	Elastic gasket grease, 20ml	3,61 €	4,30 €
W200B	024571	Elastic gasket grease, 80ml	8,36 €	9,95 €
W200C	024573	Gasket grease Curil K, 75ml	9,16 €	10,90 €
W220A	46011	Copper paste 100 gr.	7,98 €	9,50 €
W220B	1017	Copper paste 5½ ml.	0,92 €	1,09 €
W74b	0026160	Inner valve spring R69S, old version	4,62 €	5,50 €
W75AA	0026164	Outer valve spring R69S, old version	4,79 €	5,70 €



Group G: Gearbox all Singles



<u>Picture-No.</u>	<u>Article-No.</u>	<u>Description</u>	<u>Net</u>	<u>Gross</u>
G000	600018	Gasket set gearbox R26, R27	24,58 €	29,25 €
G000	600004	Gasket set gearbox R25/3	30,50 €	36,30 €
G000	600017	Gasket set gearbox R25, R25/2	30,50 €	36,30 €
G000	06154	Neutral switch unit, new R25/2-R27, R50, 60, 69S	28,78 €	34,25 €
G000	6000024	Gasket set gearbox R24	30,50 €	36,30 €
G001	06006	Gearbox R25 overhauled	920,17 €	1.095,00 €
G001AA	060061	Gearbox R25/2 overhauled	920,17 €	1.095,00 €
G001AB	060062	Gearbox R25/3 overhauled	920,17 €	1.095,00 €
G001B	06014	Gearbox R26 overhauled	920,17 €	1.095,00 €
G001C	06002	Gearbox R27 overhauled	920,17 €	1.095,00 €
G004A	63213	Gear box cover R25, new, original BMW, new/old stock	83,19 €	99,00 €
G004B	12012	Gear box cover R26, R27 used	55,46 €	66,00 €
G005	06122	Gearbox cover gasket R24-R27	2,31 €	2,75 €
G006	12104	Transmission rubber cover R26/27	31,93 €	38,00 €



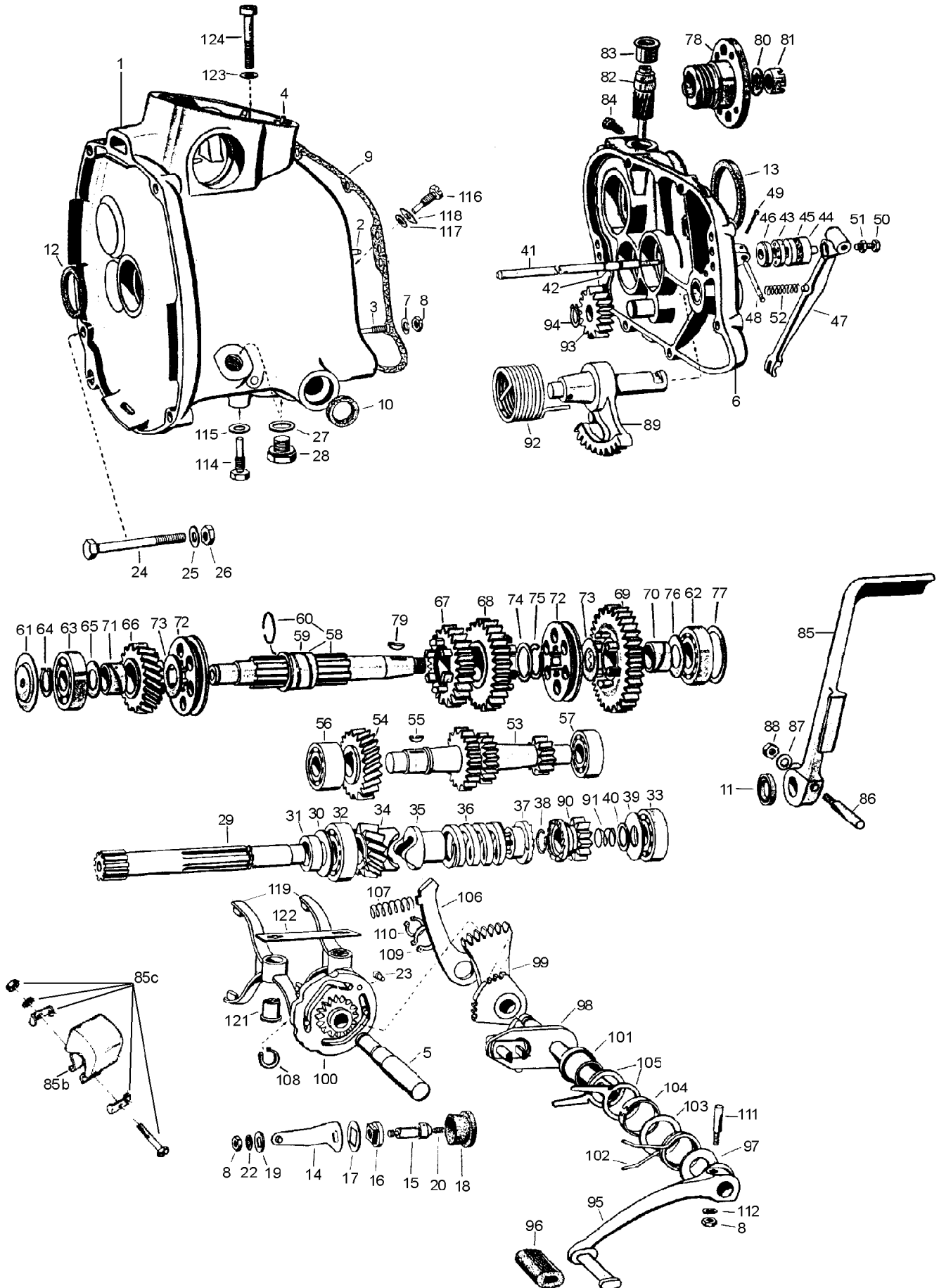
G009	06152	Idle indicator switch spring, used	4,96 €	5,90 €
G010	06158	Idle indicator switch contact bolt R24-R75/5	6,93 €	8,25 €
G011	06162	Idle indicator switch bushing R24-R75/5	0,34 €	0,40 €
G014	06174	Rubber plug for idle connection	4,20 €	5,00 €
G015	05660	Idle indicator switch screw	1,26 €	1,50 €
G016	98323	Nut M6, cinked	0,13 €	0,15 €
G018	06124	Seal-ring, foot shifting lever	3,36 €	4,00 €
G018A	1006118	Seal-ring, foot shifting lever R24	4,12 €	4,90 €
G019	10032	Seal-ring, gearbox-input shaft R24-69S	4,33 €	5,15 €
G02	07163	Oil drain screw M14, magnetic	3,19 €	3,80 €
G02	0007163	Oil drain screw M14, magnetic, stainless	6,72 €	8,00 €
G020	02196	Seal-ring crankshaft front R51/3-60, kickstarter	3,70 €	4,40 €
G021A	11032	Seal-ring, gearbox-output R 26-69S	6,09 €	7,25 €
G021B	101030	Seal-ring, gearbox output R24-25/3 (replaces felt)	9,03 €	10,75 €
G021C	06110	Feltring cap, gearbox R25-R25/3, R51/2	4,58 €	5,45 €
G021D	06114	Feltring, gearbox R24-25/3, R51/2	3,19 €	3,80 €
G023	07104	Oil filler screw 14x1,5	2,02 €	2,40 €
G023	0007104	Oil filler screw 14x1,5, stainless	5,04 €	6,00 €
G024	20009	Gearbox drive shaft R24, R25, R26, R27	58,82 €	70,00 €
G026	00010	Race for seal-ring drive shaft. R25-69S	7,98 €	9,50 €
G027	4064	Bearing crankshaft most front R24-R27 input shaft front + output shaft rear R24-R69S	7,35 €	8,75 €
G028	9064	Bearing gearb. input shaft R24-R27, R50-R69S	6,93 €	8,25 €
G029	20120	Starting damper (pinion) R25-R27, used	28,12 €	33,46 €
G030	20144	Damper for inlet shaft R24-R27 used	12,77 €	15,20 €
G030A	1020144	Damper for inlet shaft R24-R27, new	28,57 €	34,00 €
G033	20148	Lock ring for input shaft	0,63 €	0,75 €
G034	20157	Washer for gear bearing	1,81 €	2,15 €
G035	20164	Thrust washer drive shaft R24-27, R50-69S, R50/5-R75/5	2,23 €	2,65 €
G036A	20167	Thrust rod R24-25/3	11,76 €	13,99 €
G036B	20168	Clutch push rod R26/27	11,76 €	13,99 €
G037	20132	Felt, clutch push rod (not for 51/3-68)	1,68 €	2,00 €
G038	30961	Clutch ball bearing ->09/73	21,43 €	25,50 €
G039	30962	Clutch thrust ring R24-27, R51/2-69S, R50/5 >09/73	9,20 €	10,95 €
G040	20106	Clutch thrust piece R24, R25, R26, R27	15,08 €	17,95 €
G041	20109	Seal for clutch thrust piece	2,48 €	2,95 €
G044	20113	Bolt clutch release lever R 26-69S, oversize	5,04 €	6,00 €
G044	20112	Bolt clutch release lever R26-69S, stainless steel	4,62 €	5,50 €
G045	945180	Split pin for clutch lever R26-R69S	0,17 €	0,20 €
G046	30108	Clutch adjuster screw 8mm R26/27, R50-69S, R50/5->09/80	2,44 €	2,90 €
G047	21104	Nut, flat, cinked	0,21 €	0,25 €
G048	80122	Clutch lever spring -> 08/73	1,43 €	1,70 €
G049	1040027	Intermediate gear-box shaft R27, R50 old version	197,48 €	235,00 €
G050	30153	Gear-wheel 4th gear outputshaft R26-69S used	73,19 €	87,10 €
G051	51480	Woodruff key for crankshaft R51/3-R100 front, crank shaft rear R24-R25/2, camshaft R50/5->	1,51 €	1,80 €
G052	15064	Bearing auxiliary shaft front R24-R27+R50-R69S front/rear wheel R25-R25/3	22,65 €	26,95 €
G052a	9981910	Bearing auxiliary shaft front and rear R24	22,48 €	26,75 €
G053	6203	Bearing camshaft R24-R69S, auxiliary shaft R50-R69 pinion shaft R24, wheel R25-R25/2 crankshaft most front R51/3-R69	6,22 €	7,40 €
G053a	9981910	Bearing auxiliary shaft front and rear R24	22,48 €	26,75 €
G054	81416	Gearbox outlet shaft R24-27 used	71,85 €	85,50 €
G054B	30262	Bushing, 2nd+3rd gear R 25-69S	30,17 €	35,90 €
G055	8064	Bearing gearb. output haft front R24-R27, R50-R69S front wheel R24	7,48 €	8,90 €
G056	4064	Bearing crankshaft most front R24-R27 input shaft front + output shaft rear R24-R69S	7,35 €	8,75 €
G057	34090	Lock ring output shaft, front	0,25 €	0,30 €
G059	40108	Gear-wheel 4th gear auxiliary-shaft, R26-69S	50,00 €	59,50 €
G059	30151	Spur-gear 4th. speed R26-R69S	33,23 €	39,54 €
G063	30259	Bushing, 1st gear R 25-69S	12,78 €	15,21 €
G064	30266	Bushing, 4th gear, R 25-69S	12,77 €	15,20 €
G065	11016	Sliding claw R24-R69S	35,29 €	42,00 €
G070	1231651	Distance washer 0,2mm, gearbox outlet shaft R25/2-27, R50-69S	2,69 €	3,20 €
G070	1231652	Distance washer 0,3mm, gearbox outlet shaft R25/2-27, R50-69S	2,69 €	3,20 €
G070	1231653	Distance washer 0,38mm, gearbox outlet shaft R25/2-27, R50-69S	2,69 €	3,20 €
G070	1231654	Distance washer 0,50mm, gearbox outlet shaft R25/2-27, R50-69S	2,69 €	3,20 €
G070	1231655	Distance washer 0,60mm, gearbox outlet shaft R25/2-27, R50-69S	2,69 €	3,20 €
G070	1231656	Distance washer 0,75mm, gearbox outlet shaft R25/2-27, R50-69S	2,69 €	3,20 €



G070	1231657	Distance washer 0,88mm, gearbox outlet shaft R25/2-27, R50-69S	2,69 €	3,20 €
G070	2231657	Distance washer 0,95mm, gearbox outlet shaft R25/2-27, R50-69S	2,69 €	3,20 €
G070	1231658	Distance washer 1,00mm, gearbox outlet shaft R25/2-27, R50-69S	2,69 €	3,20 €
G071	30172	Gearbox flange R25, R26, R27	86,22 €	102,60 €
G072	51461	Woodruff key camshaft R51/3-R69S, gearbox flange twins ->1969	1,51 €	1,80 €
G073	30170	Washer gearbox flange	0,34 €	0,40 €
G074	30120	Castle nut M14	8,36 €	9,95 €
G075A	30058	Speedo drive, R 24-69S	41,09 €	48,90 €
G075B	111031	Speedo drive, R 24-69S, /5, used	18,91 €	22,50 €
G076A	30128	Bushing speedo-cable (fat end), R25-/3, R51/3-68	8,32 €	9,90 €
G076B	30176	Bushing speedo-cable (thin end), R 26-/7	1,93 €	2,30 €
G077A	31065	Speedo cable screw with breather hole	1,51 €	1,80 €
G077B	30174	Speedo cable screw with breather hole, stainless	5,80 €	6,90 €
G078A	56120	Kick start lever R50-69S, R25-R27 Aluminum, Straight	94,83 €	112,85 €
G078B	28135	Center stand and swing arm bumper, kickstart lever R27	2,35 €	2,80 €
G078D	25116	Kick start bumper R25/3, also R24-R26	7,35 €	8,75 €
G078e	34156	Kick start bumper mounting set	4,16 €	4,95 €
G079	50016	Kick start mounting bolt	4,16 €	4,95 €
G079A	56124	Kicker lever bolt, stainless steel (R24-69S except R51/3)	5,88 €	7,00 €
G081	98352	Nut M8 cinked	0,17 €	0,20 €
G081	0098352	Nut M8 SW14 cinked	1,01 €	1,20 €
G082	1056102	Kick starter section gear, R25-R27, used	85,00 €	101,15 €
G083	56104	Kick start wheel, drive shaft, R 25-69S, used	28,12 €	33,46 €
G084	56116	Spring input shaft, R 25-75/5	4,20 €	5,00 €
G085	56112	Spring kickstarter R 24-69S, /5	3,99 €	4,75 €
G086	56108	Kickstart intermediate gear, R24-69S, R50/5-R75/5	67,14 €	79,90 €
G087	34080	Lock ring 15x1, kick starter gear R25-69S	0,25 €	0,30 €
G088	66107	Foot shift lever R25, R26, R27, used	16,72 €	19,90 €
G089	66103	Bolt, shift pedal, stainless	6,51 €	7,75 €
G089	66102	Bolt, shift pedal	3,82 €	4,55 €
G091	98326	Nut M6, self-locking, cinked	0,17 €	0,20 €
G092	45016	Foot gear lever rubber R24-R69S, / 5-4-speed trans / 5 - 4-speed transmission	1,51 €	1,80 €
G093	30812	Gear lever shim 0.75mm R25/2-R69S and R50/5-R75/5	1,26 €	1,50 €
G093	30813	Shift lever shim 0,5mm, R25/2-R69S and R50/5-R75/5	1,26 €	1,50 €
G093	30811	Shift lever shim 1,0mm, R25/2-R69S and R50/5-R75/5	1,26 €	1,50 €
G098	66150	Shifter return spring R24-R27, R50-R69S	5,80 €	6,90 €
G100	66146	Shifter spring ring R24-R27, R50-R69S	5,46 €	6,50 €
G101	66142	Foot shifter bracket R24-R27, R50-R69S	2,30 €	2,74 €
G103	34060	Lock ring shifter-pate	0,21 €	0,25 €
G104	34120	Lock ring shifting-shaft, 18x1,2 (big)	0,34 €	0,40 €
G105	34071	Lock ring shifting-shaft 14x1 (small)	0,21 €	0,25 €
G108A	66206	Shifter fork R24-69S	81,43 €	96,90 €
G109	1230086	Excenter bushing for shifter fork	24,33 €	28,95 €
G112	66182	Screw for shifter fork R25, R25/2, R25/3	8,62 €	10,26 €
G112A	19736	Screw for shifter fork R26/27 w/Allen head	2,02 €	2,40 €
G200	66118	Hand shift lever R25, R25/2, used	14,20 €	16,90 €
G201	06150	Seal-ring, hand-shifting lever	3,36 €	4,00 €
G202A	66122	Bolt, handshifting lever	4,36 €	5,19 €
G202B	190017	Bolt, handshifting lever, stainless	5,88 €	7,00 €
G211	80134	Bolt clutch-release lever carrier, R 25-/3	4,75 €	5,65 €
G212	80108	Bolt clutch release lever R 25-/3	4,75 €	5,65 €
G212A	45055	Split pin for clutch lever R25-R25/3	0,09 €	0,11 €
G213	20124	Bracket for clutch lever R25, R25/2, R25/3	12,02 €	14,30 €
G214	80113	Clutch adjuster screw M8, R25, R25/2, R25/3	2,94 €	3,50 €
G215	21104	Nut, flat, cinked	0,21 €	0,25 €



Group H: Gearbox all Twins 1955-1969



<u>Picture-No.</u>	<u>Article-No.</u>	<u>Description</u>	<u>Net</u>	<u>Gross</u>
H000	600011	Gasket set gearbox R50-69S	24,58 €	29,25 €
H000	06154	Neutral switch unit, new, R25/2-R27, R50, 60, 69S	28,78 €	34,25 €



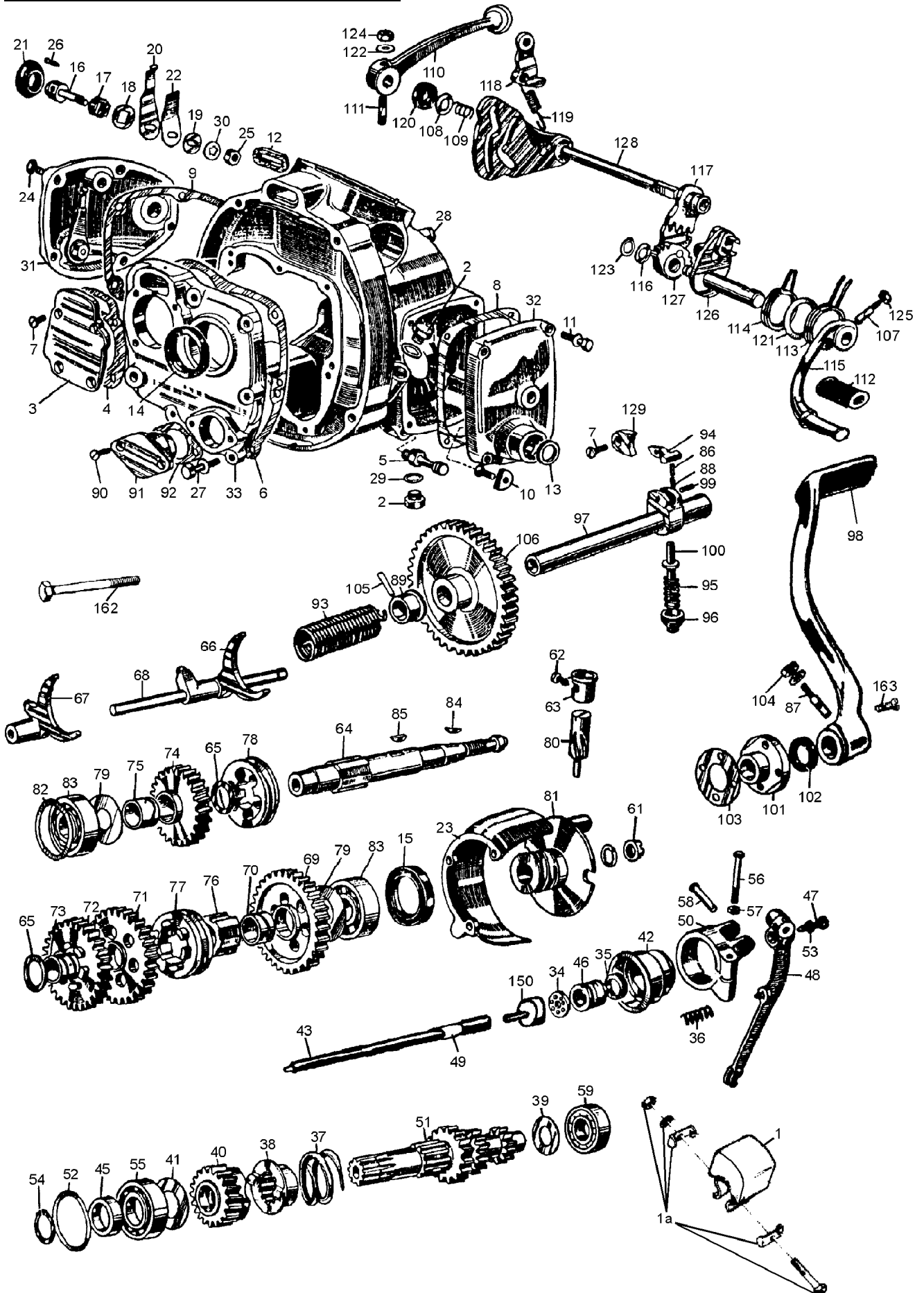
H001	06029	Gearbox R50-69S overhauled	971,43 €	1.156,00 €
H001B	006029	Gearbox housing w/cover R50-R69S	215,52 €	256,47 €
H005	06142	Bolt Gearbox- labyrinth R 50-69S	2,81 €	3,34 €
H006	12031	Gearbox cover R50-R69S	184,87 €	220,00 €
H008	98323	Nut M6, cinked	0,13 €	0,15 €
H009	06280	Gearbox cover gasket for boxers with 4 gears 1955-1973	2,31 €	2,75 €
H010	06124	Seal-ring, foot shifting lever	3,36 €	4,00 €
H011	02196	Seal-ring crankshaft front R51/3-60, kickstarter	3,70 €	4,40 €
H012	10032	Seal-ring, gearbox-input shaft R24-69S	4,33 €	5,15 €
H013	11032	Seal-ring, gearbox-output R 26-69S	6,09 €	7,25 €
H014	06152	Idle indicator switch spring, used	4,96 €	5,90 €
H015	06158	Idle indicator switch contact bolt R24-R75/5	6,93 €	8,25 €
H016	06162	Idle indicator switch bushing R24-R75/5	0,34 €	0,40 €
H018	06174	Rubber plug for idle connection	4,20 €	5,00 €
H020	05660	Idle indicator switch screw	1,26 €	1,50 €
H024	12551	Screw engine/gearbox R 50-69S	0,55 €	0,65 €
H026	98352	Nut M8 cinked	0,17 €	0,20 €
H026	98352	Nut M8 cinked	0,17 €	0,20 €
H026	0098352	Nut M8 SW14 cinked	1,01 €	1,20 €
H026	0098352	Nut M8 SW14 cinked	1,01 €	1,20 €
H027	2027	Drain plug copper gasket	0,67 €	0,80 €
H028A	07104	Oil filler screw 14x1,5	2,02 €	2,40 €
H028A	0007104	Oil filler screw 14x1,5, stainless	5,04 €	6,00 €
H028B	07163	Oil drain screw M14, magnetic	3,19 €	3,80 €
H028B	0007163	Oil drain screw M14, magnetic, stainless	6,72 €	8,00 €
H029	20005	Gearbox drive shaft R50-R69S used	76,69 €	91,26 €
H030	20136	Washer for Earles swing (inner) gearbox inlet R50-R69S	2,44 €	2,90 €
H031	00010	Race for seal-ring drive shaft. R25-69S	7,98 €	9,50 €
H032	4064	Bearing crankshaft most front R24-R27 input shaft front + output shaft rear R24-R69S	7,35 €	8,75 €
H033	9064	Bearing gearb. input shaft R24-R27, R50-R69S	6,93 €	8,25 €
H034	20245	Gear-wheel inputshaft R50-69S	71,51 €	85,10 €
H035	1083154	Shock absorber counterpart, intake shaft R50-69S	32,77 €	39,00 €
H038	20148	Lock ring for input shaft	0,63 €	0,75 €
H039	20157	Washer for gear bearing	1,81 €	2,15 €
H040	20164	Thrust washer drive shaft R24-27, R50-69S, R50/5-R75/5	2,23 €	2,65 €
H041	180176	Clutch thrust rod R50-69S	11,93 €	14,20 €
H042	20132	Felt, clutch push rod (not for 51/3-68)	1,68 €	2,00 €
H043	30961	Clutch ball bearing ->09/73	21,43 €	25,50 €
H044	080150	Clutch thrust piece R50-69S	13,28 €	15,80 €
H045	20109	Seal for clutch thrust piece	2,48 €	2,95 €
H046	30962	Clutch thrust ring R24-27, R51/2-69S, R50/5 >09/73	9,20 €	10,95 €
H047	1080105	Thrust lever R50-R69S, new	43,28 €	51,50 €
H048	20113	Bolt clutch release lever R 26-69S, oversize	5,04 €	6,00 €
H048	20112	Bolt clutch release lever R26-69S, stainless steel	4,62 €	5,50 €
H049	945180	Split pin for clutch lever R26-R69S	0,17 €	0,20 €
H050A	20116	Clutch adjuster screw w/nut 6mm R51/3-R69S (early)	2,48 €	2,95 €
H050B	30108	Clutch adjuster screw 8mm R26/27, R50-69S, R50/5->09/80	2,44 €	2,90 €
H051A	21104	Nut, flat, cinked	0,21 €	0,25 €
H052	80122	Clutch lever spring -> 08/73	1,43 €	1,70 €
H053	40028	Intermediate gear-box shaft R50-69S, last version	197,48 €	235,00 €
H053A	1040027	Intermediate gear-box shaft R27, R50 old version	197,48 €	235,00 €
H054	40108	Gear-wheel 4th gear auxiliary-shaft, R26-69S	50,00 €	59,50 €
H055	51480	Woodruff key for crankshaft R51/3-R100 front, crank shaft rear R24-R25/2, camshaft R50/5->	1,51 €	1,80 €
H056	15064	Bearing auxiliary shaft front R24-R27+R50-R69S front/rear wheel R25-R25/3	22,65 €	26,95 €
H057	6203	Bearing camshaft R24-R69S, auxiliary shaft R50-R69 pinion shaft R24, wheel R25-R25/2 crankshaft most front R51/3-R69	6,22 €	7,40 €
H058Aa	30027	Gearbox outlet shaft R50-69S with key slot	201,60 €	239,90 €
H059	30262	Bushing, 2nd+3rd gear R 25-69S	30,17 €	35,90 €
H060	30100	Lock ring output shaft, center	1,05 €	1,25 €
H061	1006242	Oil guard washer, outlet shaft R50-R69S	10,80 €	12,85 €
H062	4064	Bearing crankshaft most front R24-R27 input shaft front + output shaft rear R24-R69S	7,35 €	8,75 €
H063	8064	Bearing gearb. output haft front R24-R27, R50-R69S	7,48 €	8,90 €
H064	34090	Lock ring output shaft, front	0,25 €	0,30 €
H065	1020102	Thrust washer to the 4th. gear wheel R25-R69S	2,69 €	3,20 €
H066	30153	Gear-wheel 4th gear outputshaft R26-69S used	73,19 €	87,10 €



H066	30151	Spur-gear 4th. speed R26-R69S	33,23 €	39,54 €
H068	1030147	Gear wheel 2nd speed R50-R69S	134,03 €	159,50 €
H068a	1030146	Gear wheel 2. speed R50/60 (pre /2)	134,03 €	159,50 €
H069	1030246	Gear wheel 1st speed R50-R69S	134,03 €	159,50 €
H069a	30242	Gear wheel 1st. speed R50/60 (pre /2)	50,42 €	60,00 €
H070	30259	Bushing, 1st gear R 25-69S	12,78 €	15,21 €
H071	30266	Bushing, 4th gear, R 25-69S	12,77 €	15,20 €
H072	11016	Sliding claw R24-R69S	35,29 €	42,00 €
H075	30100	Lock ring output shaft, center	1,05 €	1,25 €
H076	1030112	Thrust washer to the 1th. gear R25-R69S	5,50 €	6,55 €
H077	1231651	Distance washer 0,2mm, gearbox outlet shaft R25/2-27, R50-69S	2,69 €	3,20 €
H077	1231652	Distance washer 0,3mm, gearbox outlet shaft R25/2-27, R50-69S	2,69 €	3,20 €
H077	1231653	Distance washer 0,38mm, gearbox outlet shaft R25/2-27, R50-69S	2,69 €	3,20 €
H077	1231654	Distance washer 0,50mm, gearbox outlet shaft R25/2-27, R50-69S	2,69 €	3,20 €
H077	1231655	Distance washer 0,60mm, gearbox outlet shaft R25/2-27, R50-69S	2,69 €	3,20 €
H077	1231656	Distance washer 0,75mm, gearbox outlet shaft R25/2-27, R50-69S	2,69 €	3,20 €
H077	1231657	Distance washer 0,88mm, gearbox outlet shaft R25/2-27, R50-69S	2,69 €	3,20 €
H077	2231657	Distance washer 0,95mm, gearbox outlet shaft R25/2-27, R50-69S	2,69 €	3,20 €
H077	1231658	Distance washer 1,00mm, gearbox outlet shaft R25/2-27, R50-69S	2,69 €	3,20 €
H078A	30296	Gearbox flange R50-R69S with groove, conus 1:5	71,60 €	85,20 €
H078B	030297	Gearbox flange R50-R69S w/out groove, conus 1:6	71,60 €	85,20 €
H079	51461	Woodruff key camshaft R51/3-R69S, gearbox flange twins ->1969	1,51 €	1,80 €
H080	30170	Washer gearbox flange	0,34 €	0,40 €
H080A	30169	Washer gearbox flange (M16)	0,34 €	0,40 €
H080B	98462	Wave washer B 16	0,34 €	0,40 €
H081A	30120	Castle nut M14	8,36 €	9,95 €
H081B	30122	Castel nut M16	8,36 €	9,95 €
H082A	30058	Speedo drive, R 24-69S	41,09 €	48,90 €
H082B	111031	Speedo drive, R 24-69S, /5, used	18,91 €	22,50 €
H083	30176	Bushing speedo-cable (thin end), R 26-7	1,93 €	2,30 €
H084A	31065	Speedo cable screw with breather hole	1,51 €	1,80 €
H084B	30174	Speedo cable screw with breather hole, stainless	5,80 €	6,90 €
H085A	56120	Kick start lever R50-69S, R25-R27 Aluminum, Straight	94,83 €	112,85 €
H085b	26016	Kick start bumper, R51/3-69S	8,19 €	9,75 €
H085C	34156	Kick start bumper mounting set	4,16 €	4,95 €
H086	50016	Kick start mounting bolt	4,16 €	4,95 €
H086A	56124	Kicker lever bolt, stainless steel (R24-69S except R51/3)	5,88 €	7,00 €
H088	98352	Nut M8 cinked	0,17 €	0,20 €
H088	0098352	Nut M8 SW14 cinked	1,01 €	1,20 €
H089	56274	Kick starter section gear, R 50-69S, used	131,85 €	156,90 €
H089a	1056274	Kick starter section gear R50/5-R75/5, R50-R69S	151,26 €	180,00 €
H090	56104	Kick start wheel, drive shaft, R 25-69S, used	28,12 €	33,46 €
H091	56116	Spring input shaft, R 25-75/5	4,20 €	5,00 €
H092	56112	Spring kickstarter R 24-69S, /5	3,99 €	4,75 €
H093	56108	Kickstart intermediate gear, R24-69S, R50/5-R75/5	67,14 €	79,90 €
H094	34080	Lock ring 15x1, kick starter gear R25-69S	0,25 €	0,30 €
H096	45016	Foot gear lever rubber R24-R69S, / 5-4-speed trans / 5 - 4-speed transmission	1,51 €	1,80 €
H097	30812	Gear lever shim 0.75mm R25/2-R69S and R50/5-R75/5	1,26 €	1,50 €
H097	30813	Shift lever shim 0,5mm, R25/2-R69S and R50/5-R75/5	1,26 €	1,50 €
H097	30811	Shift lever shim 1,0mm, R25/2-R69S and R50/5-R75/5	1,26 €	1,50 €
H102	66150	Shifter return spring R24-R27, R50-R69S	5,80 €	6,90 €
H104	66146	Shifter spring ring R24-R27, R50-R69S	5,46 €	6,50 €
H105	66142	Foot shifter bracket R24-R27, R50-R69S	2,30 €	2,74 €
H107	66130	Spring, shifting-automat, R 50-69S (old version)	2,48 €	2,95 €
H108	34060	Lock ring shifter-pate	0,21 €	0,25 €
H109	34120	Lock ring shifting-shaft, 18x1,2 (big)	0,34 €	0,40 €
H110	34071	Lock ring shifting-shaft 14x1 (small)	0,21 €	0,25 €
H111	66102	Bolt, shift pedal	3,82 €	4,55 €
H111A	66103	Bolt, shift pedal, stainless	6,51 €	7,75 €
H114	1230935	Stop Screw upper and lower R50 - /5	0,50 €	0,60 €
H119A	66206	Shifter fork R24-69S	81,43 €	96,90 €
H121	1230086	Excenter bushing for shifter fork	24,33 €	28,95 €
H124	19741	Screw for shifter claw R50-69S w/Allen head	1,68 €	2,00 €
H125	66131	Spring, shifting-automat, R 50/2-69S	3,49 €	4,15 €
H126	060107	Thrust washer shifter shaft R50/2-R69S	0,50 €	0,60 €



Group I: Gearbox all Twins 1948-1956



<u>Picture-No.</u>	<u>Article-No.</u>	<u>Description</u>	<u>Net</u>	<u>Gross</u>
1000	600001	Gasket set gearbox R51/2-68 complete	41,93 €	49,90 €
1000	12100	Gasket set gearbox R51/2-R68 (paper gaskets)	15,46 €	18,40 €



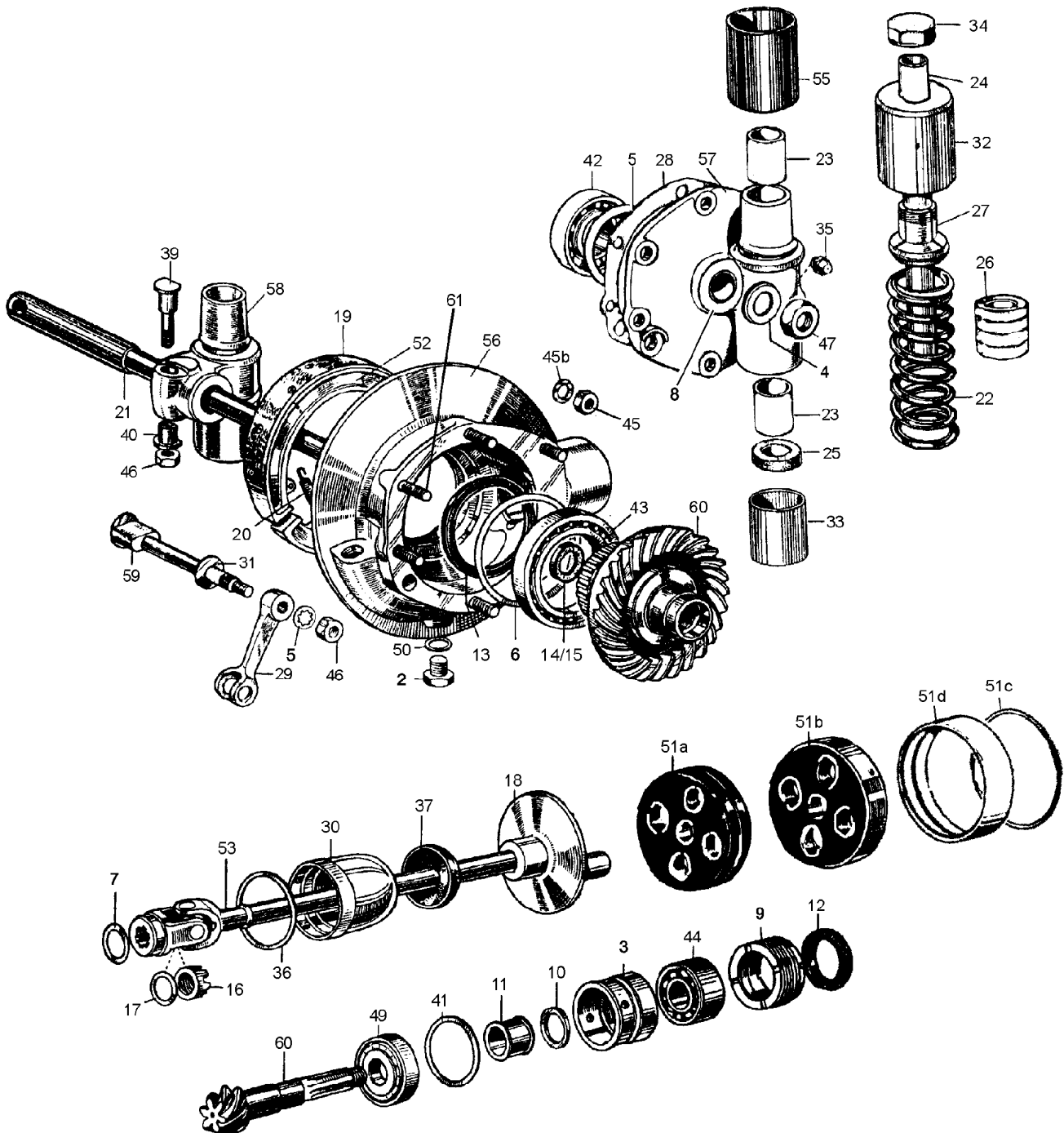
I000	06027	Gearbox R51/2-R67/3 overhauled, in Exchange	920,17 €	1.095,00 €
I001	26016	Kick start bumper, R51/3-69S	8,19 €	9,75 €
I001A	34156	Kick start bumper mounting set	4,16 €	4,95 €
I002A	07104	Oil filler screw 14x1,5	2,02 €	2,40 €
I002A	0007104	Oil filler screw 14x1,5, stainless	5,04 €	6,00 €
I002b	07163	Oil drain screw M14, magnetic	3,19 €	3,80 €
I002b	0007163	Oil drain screw M14, magnetic, stainless	6,72 €	8,00 €
I004	06208	Gearbox flange cover gasket R51/3	2,48 €	2,95 €
I005	06212	Center stand bolt at gearbox R51/2-R68	11,25 €	13,39 €
I006	06216	Gearbox cover gasket R51/3	3,91 €	4,65 €
I007	06221	Screw for gearbox flange cover R51/2-R68, 60°head, stainless steel	3,36 €	4,00 €
I009	06236	Gasket hand shift cover R51/2-R68	3,78 €	4,50 €
I011	12112	Screw for foot shift cover R51/3-R68 stainless steel, 6mm, 9mm head	3,78 €	4,50 €
I013	06253	Seal-ring, foot shifting lever R51/3-R68, R60/6-R100 09/74->	3,36 €	4,00 €
I014	06261	Seal-ring, gearbox-input shaft R51/3-68	4,37 €	5,20 €
I015	30272	Seal-ring, gearbox-output R 51/3-68	7,02 €	8,35 €
I016	06158	Idle indicator switch contact bolt R24-R75/5	6,93 €	8,25 €
I017	06162	Idle indicator switch bushing R24-R75/5	0,34 €	0,40 €
I021	06174	Rubber plug for idle connection	4,20 €	5,00 €
I023	30276	Transmission rubber cover R51/3-68, new	41,93 €	49,90 €
I024	10169	Screw kit f. hand shifter cover 51/3-68	17,56 €	20,90 €
I026	05660	Idle indicator switch screw	1,26 €	1,50 €
I027A	98161	Screw M 6x25 hexagon	0,15 €	0,18 €
I027B	98169	Srew M6x25 hexagon stainless	0,42 €	0,50 €
I028	98150	Screw M6x10 hexagon stainless	0,20 €	0,24 €
I028	98156	Screw M6x10 hexagon	0,13 €	0,15 €
I03	98454	Wave washer	0,05 €	0,06 €
I031	12029	Cover for hand shifter R51/2-R68, used	17,90 €	21,30 €
I032	12025	Cover for foot shifter R51/3-R68, used	17,90 €	21,30 €
I034	30961	Clutch ball bearing ->09/73	21,43 €	25,50 €
I035	20109	Seal for clutch thrust piece	2,48 €	2,95 €
I036	80122	Clutch lever spring -> 08/73	1,43 €	1,70 €
I037	20252	Drive shaft spring R51/3-R68 used	8,44 €	10,04 €
I038	20204	Drive shaft coupling (gearbox) R51/3-R68	16,72 €	19,90 €
I040	20217	Spur-gear 4th. speed, input shaft R51/3, R67, R68, used	38,35 €	45,64 €
I042	80147	Clutch lever bushing R51/3-R68 used	17,90 €	21,30 €
I043B	80173	Thrust rod R51/3-R68 w/pin	13,36 €	15,90 €
I045	00011	Sleeve for seal ring gearbox input R51/3-R68	6,72 €	8,00 €
I046	20107	Clutch thrust piece R51/3-R68	13,28 €	15,80 €
I047	20116	Clutch adjuster screw w/nut 6mm R51/3-R69S (early)	2,48 €	2,95 €
I048	080167	Clutch lever R51/3-R68 complete	81,81 €	97,35 €
I049	80156	Felt, clutch push rod, 51/3-68	2,44 €	2,90 €
I050	080167	Clutch lever R51/3-R68 complete	81,81 €	97,35 €
I053A	98324	Nut (flat) M6	0,10 €	0,12 €
I053B	98322	Nut (flat) M6, stainless	0,17 €	0,20 €
I055	11064	Bearing gearb. input shaft front R51/2-R68	7,82 €	9,31 €
I056	98179	Screw M 6x45 hexagon	0,25 €	0,30 €
I057	98323	Nut M6, cinked	0,13 €	0,15 €
I058A	40444	Bolt clutch release lever R51/3-R68	2,94 €	3,50 €
I058B	40445	Bolt clutch release lever R51/3-68 stainless	4,60 €	5,47 €
I059	85702	Roller bearing gearb. input shaft rear R51/3-68	30,00 €	35,70 €
I061	30120	Castle nut M14	8,36 €	9,95 €
I062A	31065	Speedo cable screw with breather hole	1,51 €	1,80 €
I062B	30174	Speedo cable screw with breather hole, stainless	5,80 €	6,90 €
I063	30128	Bushing speedo-cable (fat end), R25-/3, R51/3-68	8,32 €	9,90 €
I064	1030025	Gearbox outlet shaft R 51/2, R51/3, R67, R68	128,49 €	152,90 €
I065	1030220	Axial washer to shifting-fork R51/2-R68	4,96 €	5,90 €
I066	70015	Shifter fork 1./2.speed, R51/2, R51/3, R67, R68	92,02 €	109,50 €
I067	70016	Shifter fork 3./4.speed R51/2, R51/3, R67, R68	92,02 €	109,50 €
I068	66208	Shifter claw axle R51/3,, R67, R68, used	6,14 €	7,31 €
I070	30257	Bushing, 1st gear R 51/2-68	11,26 €	13,40 €
I073	30261	Bushing, 2+3nd gear R 51/2-68	14,24 €	16,95 €
I075	30264	Bushing, 4th gear, R 51/2-68	11,26 €	13,40 €
I077	119016	Sliding claw R51/3-R68, 1/2.gear (w/pins)	40,34 €	48,00 €
I078	120016	Sliding claw R51/3-R68, 3./4.gear	35,29 €	42,00 €
I081	30289	Gear box flange R51/2-R68, new	115,00 €	136,85 €



I082A	33474	Spacer 0.10mm, gearbox outlet shaft	1,47 €	1,75 €
I082A	33475	Spacer 0.20mm, gearbox outlet shaft	1,22 €	1,45 €
I082B	31625	Spacer 0.30mm, gearbox outlet shaft	1,23 €	1,46 €
I082C	31626	Spacer 0.38mm, gearbox outlet shaft	1,47 €	1,75 €
I082D	31627	Spacer 0,50mm, gearbox outlet shaft	1,23 €	1,46 €
I083	1064	Bearing gearb. outlet shaft front + rear R51/2-R68	7,73 €	9,20 €
I084	51461	Woodruff key camshaft R51/3-R69S, gearbox flange twins ->1969	1,51 €	1,80 €
I085	51480	Woodruff key for crankshaft R51/3-R100 front, crank shaft rear R24-R25/2, camshaft R50/5->	1,51 €	1,80 €
I086	1056208	Spring for kick lock piece R51/2 - RR68	1,26 €	1,50 €
I087	56205	Bolt, kickstart-lever, 51/2-68	3,82 €	4,55 €
I087B	56204	Bolt, kickstart-lever, 51/2-68, stainless	6,39 €	7,60 €
I090	06221	Screw for gearbox flange cover R51/2-R68, 60°head, stainless steel	3,36 €	4,00 €
I092	12154	Gearbox kicker cover gasket R51/3	2,48 €	2,95 €
I093	56225	Spring, kick start lever, R 51/2-68, used	8,61 €	10,25 €
I094	60016	Kick start lock piece R51/2-68	32,77 €	39,00 €
I097	56025	Kick start shaft R51/3-68 used	17,90 €	21,30 €
I098	56257	Kick start lever, R51/2-68, stainless	102,27 €	121,70 €
I101	56221	Flange kickstart-shaft R51/2-R68 used	10,34 €	12,30 €
I102	02197	Seal-ring crank R50/2-R69S, kick starter R51/3-R68, cam shaft R60/6-R100	3,70 €	4,40 €
I103	02188	Kick start shaft gasket R51/3	2,48 €	2,95 €
I107	66103	Bolt, shift pedal, stainless	6,51 €	7,75 €
I107	66102	Bolt, shift pedal	3,82 €	4,55 €
I109	1066216	Spring for hand shifter cover R51/2-R68	2,52 €	3,00 €
I110	66229	Hand shift lever R51/3-68	19,83 €	23,60 €
I110	6666229	Hand shift lever R51/3-68 short, 13cm	18,40 €	21,90 €
I111A	66122	Bolt, handshifting lever	4,36 €	5,19 €
I111B	190017	Bolt, handshifting lever, stainless	5,88 €	7,00 €
I112	45016	Foot gear lever rubber R24-R69S, / 5-4-speed trans / 5 - 4-speed transmission	1,51 €	1,80 €
I113	66234	Foot shifter return spring R51/2-R68	11,51 €	13,70 €
I114	66238	Foot shifter return spring R51/2-R68, used	7,00 €	8,33 €
I119	66258	Spring, shifting-automat, R 51/2-68	6,68 €	7,95 €
I120	66225	Seal-ring, hand-shifting lever R 51/3-68	3,36 €	4,00 €
I120a	1066224	Feltring handshifter R51/2	2,10 €	2,50 €
I128	66025	Shifter cam R51/3-R68, used	24,54 €	29,20 €
I162	12535	Srew engine/gearbox 51/3-68	0,46 €	0,55 €
I163	98132	Screw M5x16 counter-sunk, stainless	0,34 €	0,40 €



Group K: Rear transmission R25, R25/2, R25/3



<u>Picture-No.</u>	<u>Article-No.</u>	<u>Description</u>	<u>Net</u>	<u>Gross</u>
K000	04006	Rear drive R25, R25/2, 27:6 overhauled	655,46 €	780,00 €
K000	600024	Gasket set rear drive R24 complete	41,60 €	49,50 €
K000	04007	Rear drive R25/3, 25:6, overhauled	655,46 €	780,00 €
K000	6000015	Gasket set rear drive R25-R25/3	17,02 €	20,25 €
K000	38149	Cardan shaft guard ring R24	5,46 €	6,50 €
K000	3038149	Rubber collar rear drive shaft R24 with lock spring	14,24 €	16,95 €
K000	6000241	Gasket set rear drive R24 complete	9,16 €	10,90 €
K002	07163	Oil drain screw M14, magnetic	3,19 €	3,80 €
K002	0007163	Oil drain screw M14, magnetic, stainless	6,72 €	8,00 €
K003	38101	Bearing bush, rear drive R25-R25/3	4,09 €	4,87 €
K004A	04378	Wheel axle washer, cined	0,38 €	0,45 €
K004B	31089	Wheel axle washer, stainless steel	4,86 €	5,78 €
K007	38125	Distance washer, cardan shaft R25, R25/2, R25/3	0,46 €	0,55 €
K009	38129	Rear drive threaded ring R25-25/3, used	10,23 €	12,17 €
K012	38172	Seal-ring, transmission input R 25-25/3	4,54 €	5,40 €
K013	13032	Seal-ring, crown wheel, R25-27	7,48 €	8,90 €
K014	04178	Feltring, crown-wheel R25-25/3	2,94 €	3,50 €
K016	38142	Drive shaft nut R25-27	4,03 €	4,80 €

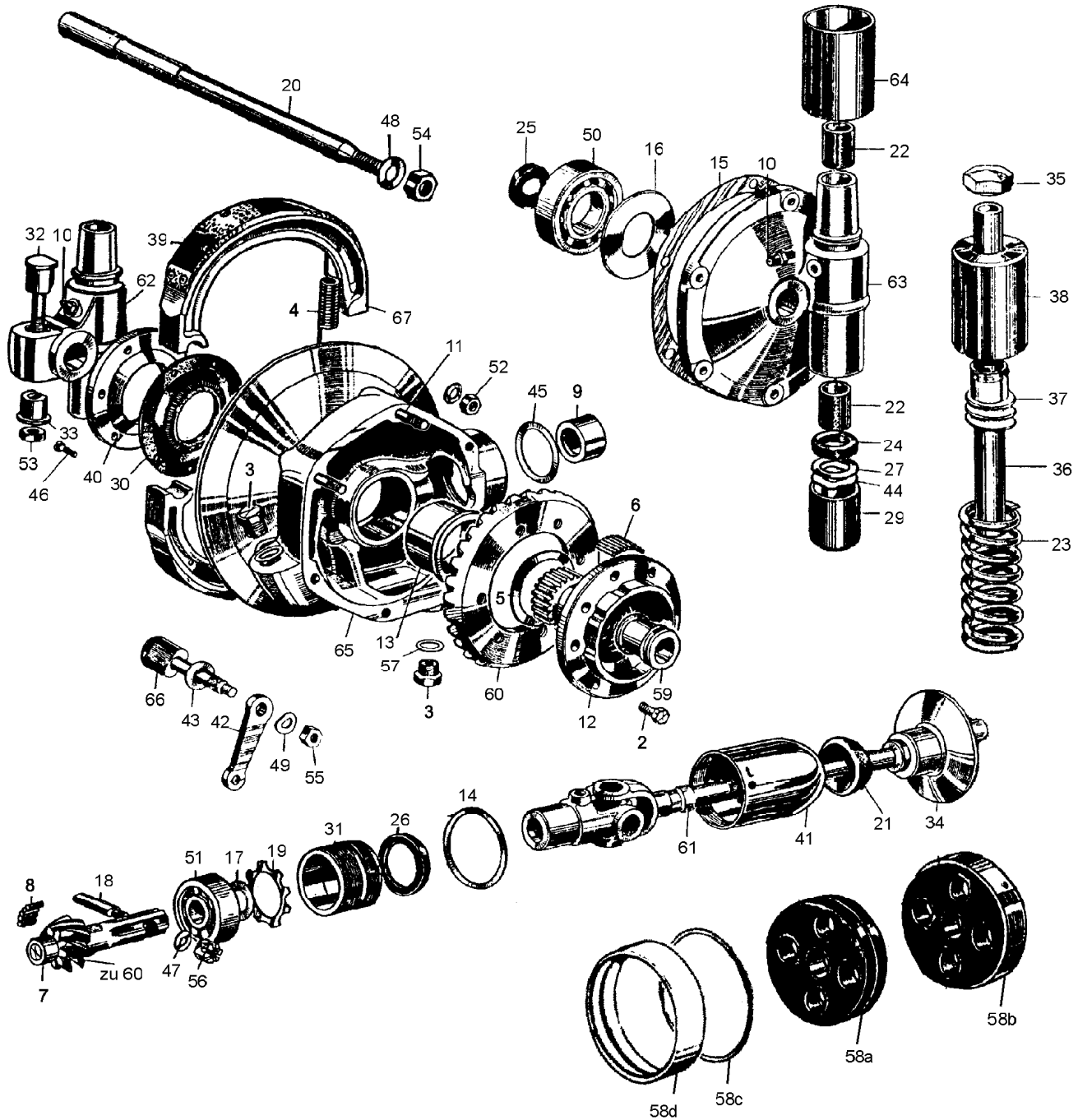


K017	38144	Washer for drive shaft nut R25, R26, R27	0,38 €	0,45 €
K018A	120031	Drive shaft flange, R25-/3 used	17,90 €	21,30 €
K018B	3000	Pressing cardan flange off / on	28,07 €	33,40 €
K019A	4051	Brake lining R25, 25/2	10,00 €	11,90 €
K019B	2051	Brake lining R25/3-26-27	10,00 €	11,90 €
K020	60134	Brake shoe spring, front, R 25-27	2,48 €	2,95 €
K021	04161	Rear wheel axle R25-R25/3	50,34 €	59,90 €
K022A	04168	Spring, rear suspension, R 25-/2, solo+sidecar	13,36 €	15,90 €
K022B	54004	Spring, rear suspension, R 25/3, solo+sidecar	13,36 €	15,90 €
K023A	54101	Bush for rear suspension R25,25/2	9,20 €	10,95 €
K023B	54103	Bushing for rear suspension R 25/3	11,22 €	13,35 €
K024A	54110	Suspension tube R25	23,53 €	28,00 €
K024A	54109	Suspension tube R25, R25/2, used	10,23 €	12,17 €
K024AA	9954110	Suspension tube R25/2	41,93 €	49,90 €
K024B	954111	Suspension tube R25/3, R51/3-R68	23,53 €	28,00 €
K025	54120	Rear suspension bumper R25, R25/2, R25/3	1,93 €	2,30 €
K025B	20136	Washer for Earles swing (inner) gearbox inlet R50-R69S	2,44 €	2,90 €
K025C	054217	Washer for rear drive rubber bumper R25/3, R51/3	1,85 €	2,20 €
K027A	054126	Rear suspension spring, upper holder R 25, used	12,77 €	15,20 €
K027B	054127	Rear suspension spring, upper holder R 25/2, used	12,78 €	15,21 €
K027C	054128	Rear suspension spring, upper holder R 25/3, used	25,13 €	29,90 €
K028	04164	Rear drive cover gasket R25-25/3	2,35 €	2,80 €
K029A	60108	Brake lever rear, R 25-/2, used	5,80 €	6,90 €
K029B	060111	Brake lever rear, R 25/3, used	5,80 €	6,90 €
K030A	38176	Drive shaft protecting bell, R25, R25/2	27,56 €	32,80 €
K030B	38178	Drive shaft protecting bell, R25/3	27,56 €	32,80 €
K032A	10077	Rear top aluminum shock cover R25, R25/2	11,26 €	13,40 €
K032B	1077	Rear top aluminum shock cover R25/3, 66mm	11,26 €	13,40 €
K032C	0007848	Rear top aluminum shock cover R25/3, 70mm	11,26 €	13,40 €
K033A	54141	Grease retainer cup, rear suspension, R25-25/2	9,03 €	10,75 €
K033B	54143	Grease retainer cup, rear suspension, R25/3	10,84 €	12,90 €
K034A	54117	Cap nut for rear shock R25/3, stainless steel	23,49 €	27,95 €
K034B	0054114	Rear shock absorber top plug R25	12,60 €	14,99 €
K034C	18029	Cap nut for rear shock R25/2, stainless steel	20,13 €	23,95 €
K035	38133	Grease port M6 (fine thread)	2,44 €	2,90 €
K036	38195	Seal ring, drive shaft bell R25-25/3	2,44 €	2,90 €
K037A	24016	Drive shaft rubber, white	4,03 €	4,80 €
K037B	38170	Drive shaft rubber, black	4,03 €	4,80 €
K039A	04210	Rear axle bolt, complete, R25/2-R68, stainless steel	23,49 €	27,95 €
K039AA	0004210	Rear axle clamp-bolt, complete, R25/2-R68, cinked steel	16,39 €	19,50 €
K042	2064	Bearing crank shaft R24, R25, R26, R27 crown wheel (outer) R25, R26, R27	10,42 €	12,40 €
K043	12064	Bearing crown gear (inner) R25-R27	33,53 €	39,90 €
K044	82460	Bearing pinion shaft R24-R27	28,07 €	33,40 €
K045A	22093	Nut M 8x1 , cinked	0,25 €	0,30 €
K045B	22082	Wave washer B 8	0,08 €	0,10 €
K045C	99001	Nut M8x1 stainless	0,97 €	1,15 €
K046	98365	Nut M10x1 stainless	1,60 €	1,90 €
K047A	22155	Nut for wheel axle, cinked	0,76 €	0,90 €
K047B	98388	Nut for wheel axle, stainless steel	1,93 €	2,30 €
K049	85905	Roller bearing N304 (pinion R25-R25/3)	67,14 €	79,90 €
K051A	28016	Drive shaft con-rubber R25-R25/3, R51/3-R68	14,83 €	17,65 €
K051B	99904	Drive shaft con-rubber with chrome rim R25-R25/3, R51/2-R68	30,17 €	35,90 €
K051C	38105	Connection rubber spring ring	4,03 €	4,80 €
K051D	38179	Driveshaft rubber chrome ring	14,83 €	17,65 €
K052A	60103	Brake shoe, R25/3, R26, R27, rebuilt	28,49 €	33,90 €
K053A	2031	Drive shaft, R 25-/3, used	77,23 €	91,90 €
K053B	38014	Drive shaft, R25-25/3 complete, rebuilt	178,91 €	212,90 €
K053C	3034	Repair of universal joint, labour and u-joint	76,64 €	91,20 €
K053D	99923	U-joint R25, /2, /3	41,93 €	49,90 €
K055A	4077	Shock cover R25, R25/2 black, rear, lower	11,26 €	13,40 €
K055B	54147	Shock cover R25/3 black, rear, lower	11,26 €	13,40 €
K058A	04218	Rear shock slide, R 25-/2, used	19,43 €	23,12 €
K058B	04222	Rear shock slide, R 25/3, used	19,43 €	23,12 €
K059A	060104	Brake key, rear, R 25-/2, used	7,67 €	9,13 €
K059B	060103	Brake key, rear, R 25/3, used	7,67 €	9,13 €
K060A	38194	Crown + pinion wheel set 24:5, R25/3 + sidecar	378,07 €	449,90 €
K060B	38193	Crown + pinion wheel set 25:6 R25/3	394,87 €	469,90 €



K060B	41031	Crown + pinion wheel set 27:6 R25-R25/3, used	218,49 €	260,00 €
K061	03503	Dowel pin for drive cover R50-R69S, R25-R27 stainless steel	3,36 €	4,00 €

Group C: Rear transmission all Twins 1948-1956



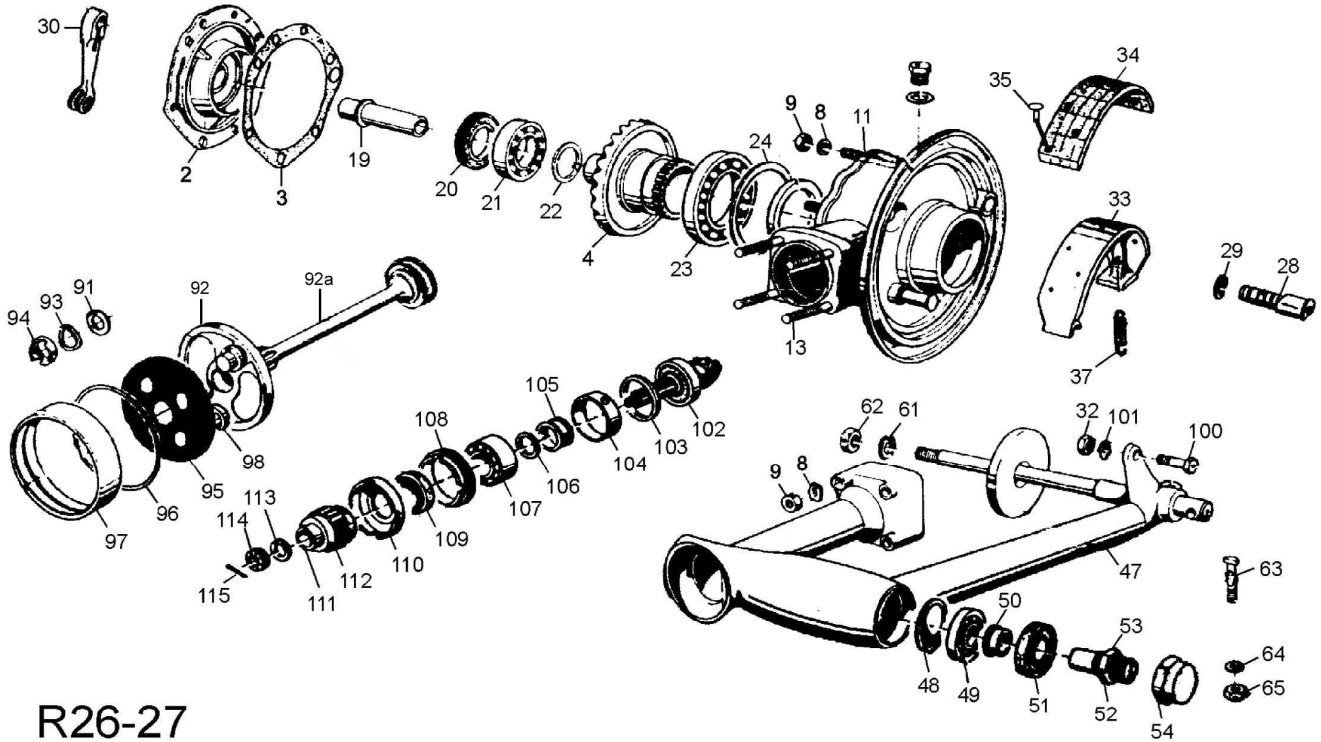
<u>Picture-No.</u>	<u>Article-No.</u>	<u>Description</u>	<u>Net</u>	<u>Gross</u>
C000	600002	Gasket set rear drive R51/2-68	19,83 €	23,60 €
C000	04043	Rear drive R51/3-R68, overhauled	1.050,42 €	1.250,00 €
C002	04150	Screw for crown wheel R51/3-R68	3,36 €	4,00 €
C003	07163	Oil drain screw M14, magnetic	3,19 €	3,80 €
C003	0007163	Oil drain screw M14, magnetic, stainless	6,72 €	8,00 €
C004	60239	Brake-shoe spring, R51/3-69S, upper, front	2,48 €	2,95 €
C006	34191	Needle for crown wheel bearing	0,21 €	0,25 €
C008	38296	Needle for pinion wheel bearing	0,17 €	0,20 €
C009	38298	Needle bearing for pinion wheel R51/3-68	20,97 €	24,95 €
C010	38133	Grease port M6 (fine thread)	2,44 €	2,90 €
C011	04323	Dowel pin for rear drive cover R51/3-R68	2,48 €	2,95 €
C012	04331	coupling for crownwheel R51/2-R68	147,06 €	175,00 €
C012A	04332	Wheel hub coupling R51/3-R68 (for repro hub only)	61,64 €	73,35 €
C012B	04355	Feltring, crown wheel R51/2-R68	2,48 €	2,95 €
C013	04382	Rear drive bushing R51/2-R68	17,56 €	20,90 €
C014	38196	Seal ring, drive shaft bell R 51/2-68	2,43 €	2,89 €



C015	04360	Rear drive cover gasket R51/3	1,93 €	2,30 €
C016	3004362	Spacer transmission-unit cover 0,50mm, R51/2-R68	7,48 €	8,90 €
C016a	3004363	Spacer transmission-unit cover 0,60mm, R51/2-R68	7,48 €	8,90 €
C016b	3004364	Spacer transmission-unit cover 0,75mm, R51/2-R68	7,48 €	8,90 €
C016c	3004365	Spacer transmission-unit cover 0,88mm, R51/2-R68	7,48 €	8,90 €
C018	38288	Square bolt for drive shaft R51/2-68	5,00 €	5,95 €
C020B	04366	Rear wheel axle R51/3-R68	50,34 €	59,90 €
C021A	24016	Drive shaft rubber, white	4,03 €	4,80 €
C021B	38170	Drive shaft rubber, black	4,03 €	4,80 €
C022	54312	Bushing rear suspension, R51/2-68	9,20 €	10,95 €
C023A	54028	Spring, rear suspension, R 51/2-68, Solo	14,20 €	16,90 €
C023B	54027	Spring, rear suspension, R 51/2-68, sidecar	14,20 €	16,90 €
C024	54215	Rubber bumper for rear drive R51/2-68	1,93 €	2,30 €
C026	5027	Seal-ring, transmission input 51/3-68	6,09 €	7,25 €
C027	054217	Washer for rear drive rubber bumper R25/3, R51/3	1,85 €	2,20 €
C029	54234	Grease retainer cup, rear suspension, R 51/3-68	9,41 €	11,20 €
C030	04370	Rubber collar rear drive R51/3-R68	9,20 €	10,95 €
C031	38281	Rear drive threaded ring R51/3-R68	25,63 €	30,50 €
C032A	04210	Rear axle bolt, complete, R25/2-R68, stainless steel	23,49 €	27,95 €
C032AA	0004210	Rear axle clamp-bolt, complete, R25/2-R68, cinked steel	16,39 €	19,50 €
C032B	3004209	Rear axle bolt R51/2	11,09 €	13,20 €
C034A	038274	Drive shaft flange, R 51/2-68, chromeplated, new	68,91 €	82,00 €
C034B	3000	Pressing cardan flange off / on	28,07 €	33,40 €
C035B	54322	Cap nut for rear shock R51/3-68, stainless steel	16,72 €	19,90 €
C035C	54114	Rear shock absorber top plug R51/2	10,84 €	12,90 €
C036	954111	Suspension tube R25/3, R51/3-R68	23,53 €	28,00 €
C037A	54327	Spring suspension R51/3, R67, R68	22,44 €	26,70 €
C037B	54326	Rear suspension spring, upper holder 51/3-68, used	17,90 €	21,30 €
C038	5077	Rear shock cover, upper, aluminium R51/2-68	11,26 €	13,40 €
C039A	5051	Brake lining R51/2-68 semi-hub	10,00 €	11,90 €
C039B	3051	Brake lining R51/3-68 full-hub	10,00 €	11,90 €
C039C	0008051	Rivets for brake lining, 50 pcs., 10mm long	3,36 €	4,00 €
C040	04373	Oil catch cover R51/3-R68 reardrive, used	9,20 €	10,95 €
C041	038270	Drive shaft protecting bell, R 51/2-68, aluminum	32,69 €	38,90 €
C041a	67016	Cardan cover bell, chromeplated R25-68	29,33 €	34,90 €
C042	60201	Brake lever rear ,51/3-68 semi-hub	5,80 €	6,90 €
C048A	04378	Wheel axle washer, cinked	0,38 €	0,45 €
C048B	31089	Wheel axle washer, stainless steel	4,86 €	5,78 €
C049A	22083	Wave washer B 10	0,17 €	0,20 €
C049B	22082	Wave washer B 8	0,08 €	0,10 €
C050	3064	Bearing crankshaft R26/27 rear, crankshaft R51/2-R69S, crownwheel R51/2-R68	12,44 €	14,80 €
C051	18064	Bearing for pinion wheel R51/2-R68 + R50-R69s	29,37 €	34,95 €
C052	22093	Nut M 8x1 , cinked	0,25 €	0,30 €
C052B	99001	Nut M8x1 stainless	0,97 €	1,15 €
C053	22122	Nut M10x1, cinked	0,34 €	0,40 €
C054A	22155	Nut for wheel axle, cinked	0,76 €	0,90 €
C054B	98388	Nut for wheel axle, stainless steel	1,93 €	2,30 €
C055A	21615	Nut, flat (m10x1), brake-key and shockabsorber	0,50 €	0,60 €
C055B	22094	Nut (flat) M8 x 1, brake key	0,29 €	0,35 €
C056	23420	Castle nut M8x1	1,26 €	1,50 €
C057	2027	Drain plug copper gasket	0,67 €	0,80 €
C058A	28016	Drive shaft con-rubber R25-R25/3, R51/3-R68	14,83 €	17,65 €
C058B	99904	Drive shaft con-rubber with chrome rim R25-R25/3, R51/2-R68	30,17 €	35,90 €
C058C	38105	Connection rubber spring ring	4,03 €	4,80 €
C058D	38179	Driveshaft rubber chrome ring	14,83 €	17,65 €
C059	3004357	Spacer tube for crownwheel R51/2-R68	10,34 €	12,30 €
C060A	10150	Crown + pinion wheel set 35:9 R51/2.R68, repro	310,84 €	369,90 €
C060B	04026	Crown + pinion wheel set 37:8 R51/2-R68 + sidecar	180,63 €	214,95 €
C061	38027	Drive shaft, R51/2-68 complete, new	301,68 €	359,00 €
C061B	3034	Repair of universal joint, labour and u-joint	76,64 €	91,20 €
C061C	99921	U-joint R51/3-68, R50-69S, /5-R100	38,32 €	45,60 €
C062	04422	Rear shock slide, R 51/2-68, used	100,84 €	120,00 €
C064	54236	Shock cover R51/3-R68, black, rear, lower	11,26 €	13,40 €
C066	060211	Brake key R51/3-R68 half hub, rear	10,84 €	12,90 €
C066	060210	Brake key R51/3-R68 full hub, rear, used	41,18 €	49,00 €
C067	60200	Brake shoe set, R 51/3, semi-hub, simplex, 1 Set = 1 Wheel	29,33 €	34,90 €

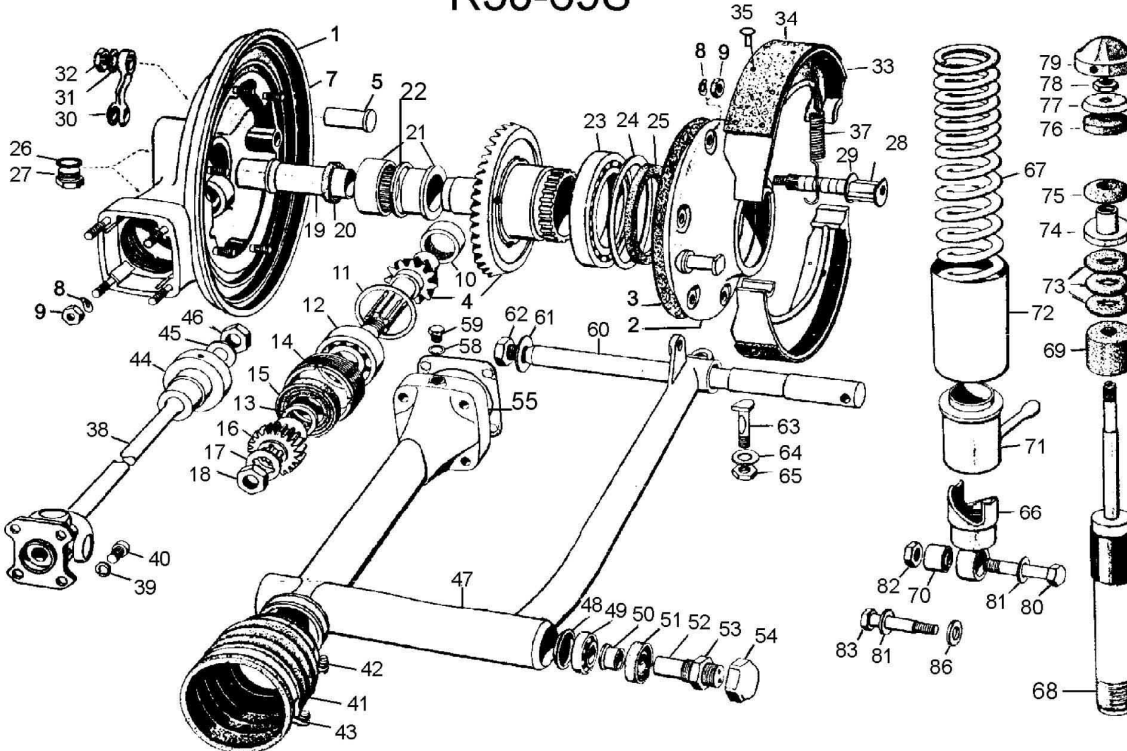


Group P: Rear swing arm and transmission all models 1955-1969



R26-27

R50-69S



<u>Picture-No.</u>	<u>Article-No.</u>	<u>Description</u>	<u>Net</u>	<u>Gross</u>
P000	9916566	Screw M4x8, slot, stainless	0,21 €	0,25 €
P000	600019	Gasket set rear drive R26/27	24,79 €	29,50 €
P000	9998450	Wave washer B 4, stainless	0,10 €	0,12 €
P000	600012	Gasket set rear drive R50-69S	17,90 €	21,30 €
P000	45415	Breather cover, R 50-69S, stainless rear drive	7,73 €	9,20 €
P001A	04014	Rear drive R26/27 overhauled	655,46 €	780,00 €
P001B	04031	Rear drive R50-69S, overhauled	1.050,42 €	1.250,00 €
P001C	04032	Rear drive housing R50-R69S	394,87 €	469,90 €



P003A	04162	Rear drive cover gasket R26,27	2,35 €	2,80 €
P003B	04320	Rear drive cover gasket R50-69S	1,93 €	2,30 €
P004	10173	Crown + pinion wheel set R50S 25:7	462,18 €	549,99 €
P004A	38189	Crown + pinion wheel set 25:6 R26/27	394,87 €	469,90 €
P004C	10185	Crown + pinion wheel set 27:7 R50-69S + sidecar BMW	441,60 €	525,50 €
P004D	3010181	Crown + pinion wheel set 26:6, R50-69S + sidecar BMW	453,70 €	539,90 €
P004D	20001	Crown + pinion wheel set 26:6, R50-69S + sidecar	445,38 €	530,00 €
P004E	10160	Crown + pinion wheel set 27:8, R50/2, R60/2, R69S (w/o sidecar)	453,70 €	539,90 €
P004E	3010172	Crown + pinion wheel set 25:8, R50-69S solo BMW	453,70 €	539,90 €
P004F	10174	Crown + pinion wheel set 25:8 R50-69S	378,07 €	449,90 €
P004G	97310	Coupling repair (rear drive) R24-R27 (dissected)	141,09 €	167,90 €
P004G	9947165	Rivet for wheel spline R50/5-R75/5	0,38 €	0,45 €
P004H	97312	Rear drive wheel coupling repair R50-R69S (rear drive already dissected)	141,09 €	167,90 €
P004J	97311	Rear drive wheel coupling R50-R69S (weld-on part)	125,97 €	149,90 €
P007	03503	Dowel pin for drive cover R50-R69S, R25-R27 stainless steel	3,36 €	4,00 €
P008	22082	Wave washer B 8	0,08 €	0,10 €
P009	22093	Nut M 8x1 , cinked	0,25 €	0,30 €
P009B	99001	Nut M8x1 stainless	0,97 €	1,15 €
P010	16064	Needle bearing for pinion wheel R50-69S	58,74 €	69,90 €
P012	18064	Bearing for pinion wheel R51/2-R68 + R50-R69s	29,37 €	34,95 €
P013A	38248	Rear drive distance ring R50-69S	2,10 €	2,50 €
P013A	08634	Dowel pin rear drive/swing R26/27	2,10 €	2,50 €
P013B	03530	Dowel pin rear drive/swing R50-R69S	3,32 €	3,95 €
P014	38252	Final drive threaded ring R50-69S	17,86 €	21,25 €
P015	38257	Seal-ring, transmission input R50-69S	4,58 €	5,45 €
P016	38260	Pinion wheel coupling R50-R69S	83,95 €	99,90 €
P017	38264	Lock plate for transmission input nut R50-69S	2,94 €	3,50 €
P018	21630	Drive shaft nut, R50-69S, M14	0,97 €	1,15 €
P020A	1082	Seal-ring, rear drive, R26/27	10,00 €	11,90 €
P020B	04337	Seal-ring, rear drive, R50-R69S, R50/5-R100	3,61 €	4,30 €
P021A	2064	Bearing crank shaft R24, R25, R26, R27 crown wheel (outer) R25, R26, R27	10,42 €	12,40 €
P021B	42738	Needle bearing for crown wheel R50-R69S	55,46 €	66,00 €
p022a	38931	Thrust ring crown wheel R50-R69S, R50/5-R100 1,5mm	7,48 €	8,90 €
p022b	38932	Thrust ring crown wheel R50-R69S, R50/5-R100 1,6mm	7,48 €	8,90 €
p022c	32769	Thrust ring crown wheel R50-R69S, R50/5-R100 1,7mm	7,48 €	8,90 €
p022d	30527	Thrust ring crown wheel R50-R69S, R50/5-R100 1,8mm	7,48 €	8,90 €
p022e	31238	Thrust ring crown wheel R50-R69S, R50/5-R100 1,9mm	7,48 €	8,90 €
p022f	30528	Thrust ring crown wheel R50-R69S, R50/5-R100 2,0mm	7,48 €	8,90 €
p022g	31239	Thrust ring crown wheel R50-R69S, R50/5-R100 2,1mm	7,48 €	8,90 €
p022h	30529	Thrust ring crown wheel R50-R69S, R50/5-R100 2,2mm	7,48 €	8,90 €
p022i	30530	Thrust ring crown wheel R50-R69S, R50/5-R100 2,3mm	7,48 €	8,90 €
p022j	30531	Thrust ring crown wheel R50-R69S, R50/5-R100 2,4mm	7,48 €	8,90 €
p022k	30532	Thrust ring crown wheel R50-R69S, R50/5-R100 2,5mm	7,48 €	8,90 €
p022l	30533	Thrust ring crown wheel R50-R69S, R50/5-R100 2,6mm	7,48 €	8,90 €
P023A	12064	Bearing crown gear (inner) R25-R27	33,53 €	39,90 €
P023B	19064	Bearing crown wheel R50-R100	33,53 €	39,90 €
P024a	1230535	Distance washer crown wheel, 0.180mm, 2-arm swing	8,36 €	9,95 €
P024b	1230536	Distance washer crown wheel, 0.280mm, 2-arm swing	8,36 €	9,95 €
P024c	1230537	Distance washer crown wheel, 0.380mm, 2-arm swing	8,36 €	9,95 €
P024d	1230538	Distance washer crown wheel, 0.500mm, 2-arm swing	8,36 €	9,95 €
P024e	1230539	Distance washer crown wheel 0.630mm, 2-arm swing	8,36 €	9,95 €
P024f	1230540	Distance washer crown wheel, 0.750mm, 2-arm swing	8,36 €	9,95 €
P024g	1230541	Distance washer crown wheel, 0.880mm, 2-arm swing	8,36 €	9,95 €
P025A	13032	Seal-ring, crown wheel, R25-27	7,48 €	8,90 €
P025B	14032	Seal-ring, crown wheel, R50-69S	7,65 €	9,10 €
P026	2027	Drain plug copper gasket	0,67 €	0,80 €
P027	07163	Oil drain screw M14, magnetic	3,19 €	3,80 €
P027	0007163	Oil drain screw M14, magnetic, stainless	6,72 €	8,00 €
P028A	60102	Brake key, rear, R 26/27, used	7,67 €	9,13 €
P028B	60216	Brake key, rear, R 50-69S, used	7,67 €	9,13 €
P030A	60113	Brake lever rear, R 26-27, used	14,20 €	16,90 €
P030B	60101	Brake lever rear R50-69S used	20,92 €	24,90 €
P032	21615	Nut, flat (m10x1), brake-key and shockabsorber	0,50 €	0,60 €
P033A	60103	Brake shoe, R25/3, R26, R27, rebuilt	28,49 €	33,90 €
P033B	60241	Brake-shoe, R50-R69S, rear upper, rebuilt	33,53 €	39,90 €
P033B	6024101	Brake-shoe, R50-R69S, rear lower, rebuilt	33,53 €	39,90 €



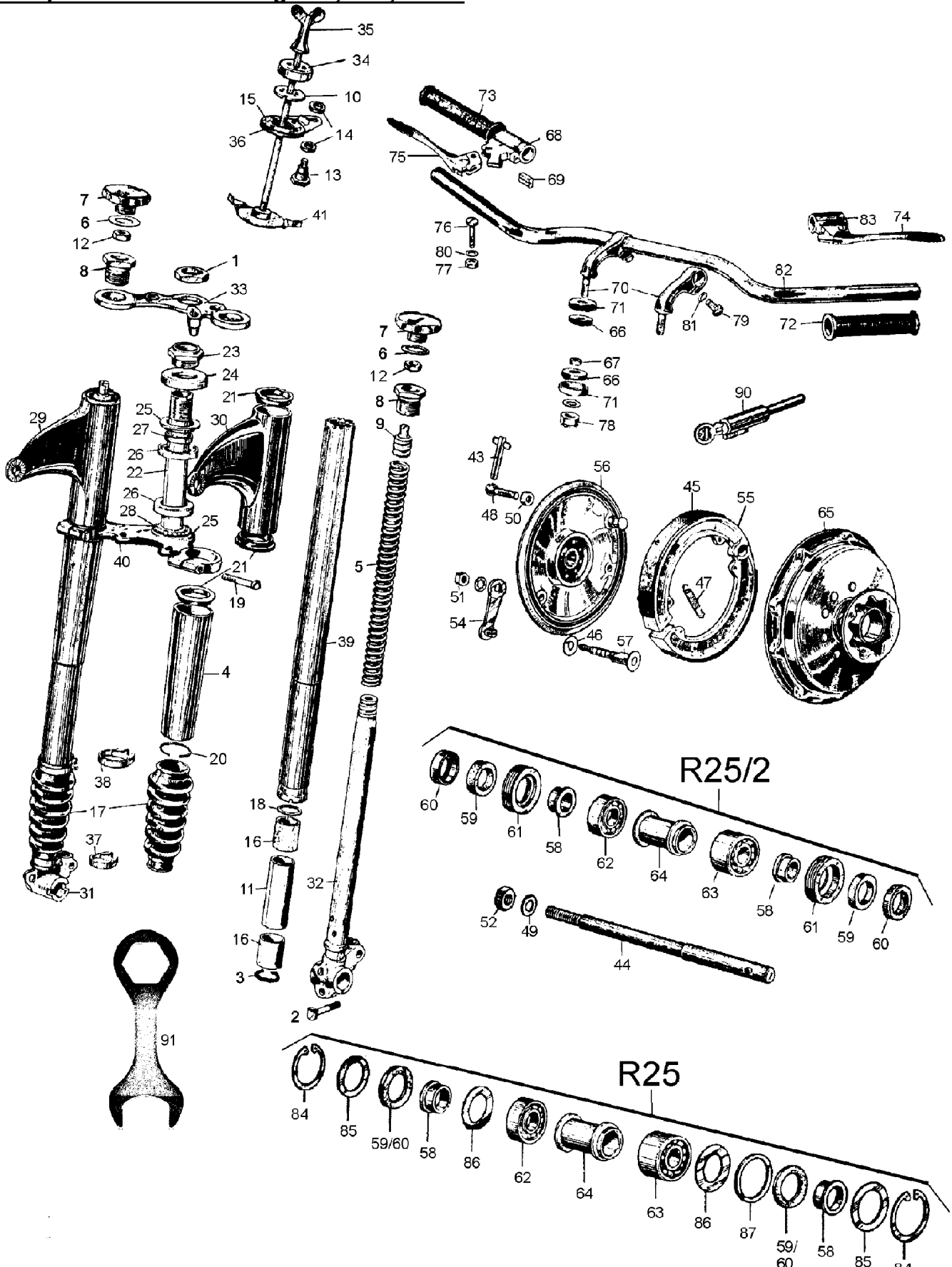
P034A	2051	Brake lining R25/3-26-27	10,00 €	11,90 €
P034B	1051	Brake lining R50-69S	10,00 €	11,90 €
P035A	0098051	Rivets for brake lining, 50 pcs., 8mm long	3,36 €	4,00 €
P035B	0008051	Rivets for brake lining, 50 pcs., 10mm long	3,36 €	4,00 €
P037A	60134	Brake shoe spring, front, R 25-27	2,48 €	2,95 €
P037B	60237	Brake-shoe spring, rear + lower front R51/3-69S	2,73 €	3,25 €
P038A	38034	Drive shaft, R 50-69S, new, reinforced, 1.6	220,00 €	261,80 €
P038B	38035	Drive shaft, R 50-69S, rebuilt (indicate conus!)	220,00 €	261,80 €
P038B	3034	Repair of universal joint, labour and u-joint	76,64 €	91,20 €
P038C	99921	U-joint R51/3-68, R50-69S, /5-R100	38,32 €	45,60 €
P039	98432	Lock washer A 8	0,08 €	0,10 €
P040	30414	Drive shaft connecting screw, 12 edges, ->09/80	1,47 €	1,75 €
P040	1242297	Drive shaft connecting screw, 12 edges, 09/80->	1,47 €	1,75 €
P041	90016	Rubber boot gearbox-swingarm R 50-69S	9,20 €	10,95 €
P042	191191	Clamp gearbox boot R50-R69S, small, Fork boot R51/3-R68	1,30 €	1,55 €
P042	9952070	Clamp gearbox boot R50-R69S, small, Fork boot R51/3-R68, solid measure 70mm	3,15 €	3,75 €
P042	9952090	Clamp gearbox boot R50-R69S, big, Fork boot solid measure 90mm	3,53 €	4,20 €
P043	191192	Clamp for gearbox boot R50-R69S, large	1,60 €	1,90 €
P044A	138238	Drive shaft bell, R 50-69S, used (indicate conus!)	38,35 €	45,64 €
P044B	038237	Drive shaft bell, R 50-69S 1:5, M14	82,77 €	98,50 €
P044C	38238	Drive shaft bell, R50-69S, 1:6, M16	73,19 €	87,10 €
P046A	21630	Drive shaft nut, R50-69S, M14	0,97 €	1,15 €
P046B	30084	Drive shaft nut M16, R 50-69S	4,16 €	4,95 €
P047A	26031	Swingarm rear, R 26/27, used	100,00 €	119,00 €
P047B	27031	Rear swing arm R50-69S used	210,00 €	249,90 €
P047D	54260	Converted swingarm, /5 transmission in old frame, in exchange	226,05 €	269,00 €
P047D	31687	Shock absorber bracket „swing arm conversion-type“	41,93 €	49,90 €
P048	39812	Grease stop washer, rear swingarm 26-100	1,39 €	1,65 €
P049	13064	Wheel bearing R26/27, R50/5-R100, R45/65 >09/84 + rocker arm, in front and rear R26-69S	15,88 €	18,90 €
P049	0013064	Wheel bearing R26/27, swingarm R26-R100 +0.10 / +0.15 mm	37,82 €	45,00 €
P050	00324	Thrust bushing f. swingarm R26-69S	5,84 €	6,95 €
P051	00331	Seal-ring, swingarm all	3,19 €	3,80 €
P052	54171	Swing arm bolt R26-69S incl. nut	16,39 €	19,50 €
P053	54174	Nut for rear swing arm bolt R26-R100	4,83 €	5,75 €
P054	54172	Aluminum cap, rear swing arm bearing R26-R69S	12,77 €	15,20 €
P055	54266	Driveshaft gasket R50-69S	1,09 €	1,30 €
P058	63073	Gasket ring aluminium 10x14x1.5	0,17 €	0,20 €
P059B	19216	Oil drain screw M10	2,14 €	2,55 €
P059B	19217	Oil drain screw M10, stainless steel	4,16 €	4,95 €
P060A	04158	Rear wheel axle R26/27	50,34 €	59,90 €
P060B	04368	Rear wheel axle R50-69S, chrome	50,34 €	59,90 €
P060C	3004368	Rear wheel axle R50-69S, stainless steel, polished	54,54 €	64,90 €
P061A	04378	Wheel axle washer, cined	0,38 €	0,45 €
P061B	31089	Wheel axle washer, stainless steel	4,86 €	5,78 €
P062A	22155	Nut for wheel axle, cinked	0,76 €	0,90 €
P062B	98388	Nut for wheel axle, stainless steel	1,93 €	2,30 €
P063	54176	Rear axle bolt R26-R69S, stainless steel	11,34 €	13,49 €
P063A	995176	Rear axle bolt R26-69S, cined	5,97 €	7,10 €
P065	98365	Nut M10x1 stainless	1,60 €	1,90 €
P066A	54183	Rear suspension adaptor R26, R27, back righthand, NEW	23,01 €	27,38 €
P066A	54182	Rear suspension adaptor R26, R27 back righthand, USED	12,93 €	15,39 €
P066A	5418201	Rear suspension adaptor R26, R27 back lefthand, USED	12,93 €	15,39 €
P066A	5418301	Rear suspension adaptor R26, R27, back, lefthand, NEW	23,01 €	27,38 €
P066B	54283	Rear shock mount R50-R69S, used, RH or LH	23,01 €	27,38 €
P066C	3054282	Rear shock mount R50-R69S, left hand	28,53 €	33,95 €
P066D	3054283	Rear shock mount R50-R69S, right hand	28,53 €	33,95 €
P067A	54284	Spring, rear suspension, R 26/27, 50-69S	14,12 €	16,80 €
P067B	2018	Spring, rear suspension, R 26/27, 50-69S sidecar	14,12 €	16,80 €
P068A	3054290	Shock cartridge R50-69S, rear	80,00 €	95,20 €
P068AA	3054091	Shock cartridge R26/27, rear	80,00 €	95,20 €
P068B	54290	Shock cartridge Boge R26-R96S, rear	113,36 €	134,90 €
P070A	46016	Silent bloc shocks R50-69S front, 26/27 front+rear	3,49 €	4,15 €
P070B	89016	Silent bloc rear shocks, R50-69S	5,80 €	6,90 €
P071A	54194	Rear suspension adjusting-jacket, R 26-69S	30,88 €	36,75 €
P071B	54195	Rear suspension adjusting-jacket, R 26-69S, used	15,34 €	18,25 €



P072	8077	Shock cover R26-69S rear, lower	13,28 €	15,80 €
P073	54528	Shock absorber stop rubber	1,93 €	2,30 €
P074	54201	Shock absorber stop plate R26-R69S	9,66 €	11,50 €
P075	54204	Shock absorber compensating rubber R26-R69S	1,93 €	2,30 €
P076	54208	Upper shock absorber rubber bearing R26-69S	1,93 €	2,30 €
P077	054210	Shock absorber cap for rubber bearing R26-R69S	2,69 €	3,20 €
P078	21615	Nut, flat (m10x1), brake-key and shockabsorber	0,50 €	0,60 €
P078	22122	Nut M10x1, cined	0,34 €	0,40 €
P079	54044	Aluminium cap for rear suspension R26-R69S	14,83 €	17,65 €
P080	14625	Screw, rear suspension, R50-69S, left, stainless	7,69 €	9,15 €
P081A	98424	Washer B 13	0,17 €	0,20 €
P081B	98425	Washer B 13 stainless	0,42 €	0,50 €
P082A	98375	Nut M12X1.5 cined	0,59 €	0,70 €
P082B	98377	Nut (flat) M12x1,5, stainless	2,10 €	2,50 €
P082B	98378	Nut M12x1.5 stainless	2,44 €	2,90 €
P083C	54226	Screw, suspension, R26/27 RH rear, stainless	10,00 €	11,90 €
P083D	54270	Screw, rear suspension, R50-69S, RH, stainless	8,32 €	9,90 €
P083DE	5427099	Screw, rear suspension, R50-69S, RH	4,16 €	4,95 €
P091	038126	Washer 1.0mm R26/27 drive shaft flange	1,81 €	2,15 €
P091	038127	Washer crown nut R26/27 drive shaft flange M18	0,46 €	0,55 €
P092	38186	Drive shaft flange R26/27, used	28,15 €	33,50 €
P092a	3038200	Drive shaft R26/27, new	176,47 €	210,00 €
P093	38122	Wave lock washer for drive shaft	0,43 €	0,51 €
P094	38120	Castle nut M18 for drive flange R26/27	8,36 €	9,95 €
P095	27016	Drive shaft con-rubber R26/27	16,39 €	19,50 €
P096	38105	Connection rubber spring ring	4,03 €	4,80 €
P097	38179	Driveshaft rubber chrome ring	14,83 €	17,65 €
P098	38104	Distance ring for R26, R27 connecting rubber disk	1,85 €	2,20 €
P099	9077	Hubcap R26/27, small, silver painted	9,41 €	11,20 €
P099A	60171	Hubcap R26/27, small, chrome-plated	12,52 €	14,90 €
P100A	13346	Shock absorber mounting screw R26-R69S front upper, R26/27 front lower and rear left, chrome	5,00 €	5,95 €
P100B	14337	Srew, rear suspension, R27, /5 left, stainless	6,89 €	8,20 €
P100B	14345	Shock absorber mounting screw R26-R69S front upper R26/27 front lower and rear left, stainless steel	6,64 €	7,90 €
P101	22083	Wave washer B 10	0,17 €	0,20 €
P102	17064	Roller bearing pinion wheel R26/27	44,12 €	52,50 €
P107	82460	Bearing pinion shaft R24-R27	28,07 €	33,40 €
P108	30130	Rear drive threaded ring R26/27	17,90 €	21,30 €
P109	30541	Seal-ring transmission input R26/27	4,58 €	5,45 €
P110	38159	Cover for seal R26, R27, used	13,36 €	15,90 €
P111	38163	Rubber spacer R26/27	4,12 €	4,90 €
P112	38146	Pinion wheel coupling R26/R27	38,11 €	45,35 €
P113	38144	Washer for drive shaft nut R25, R26, R27	0,38 €	0,45 €
P114	38142	Drive shaft nut R25-27	4,03 €	4,80 €
P115	36226	Split pin, cined	0,13 €	0,15 €
P115a	44136	Split pin for brake rod, stainless steel	0,13 €	0,15 €



Group T: Fork and steering R24, R25, R25/2



<u>Picture-No.</u>	<u>Article-No.</u>	<u>Description</u>	<u>Net</u>	<u>Gross</u>
T00	8080165	Cable holder R25/2, R51/3-R68 mount on lower fork yoke	12,18 €	14,50 €
T000	4038114	Rim, R 25-/2, stainless	134,37 €	159,90 €
T000	97003	Tool for wheel bearing nut R25-27	24,12 €	28,70 €
T001	00101	Counter nut, fork bridge R 25-69S	5,46 €	6,50 €
T002	54262	Front axle bolt R25-/2, R51/3, stainless steel	13,36 €	15,90 €



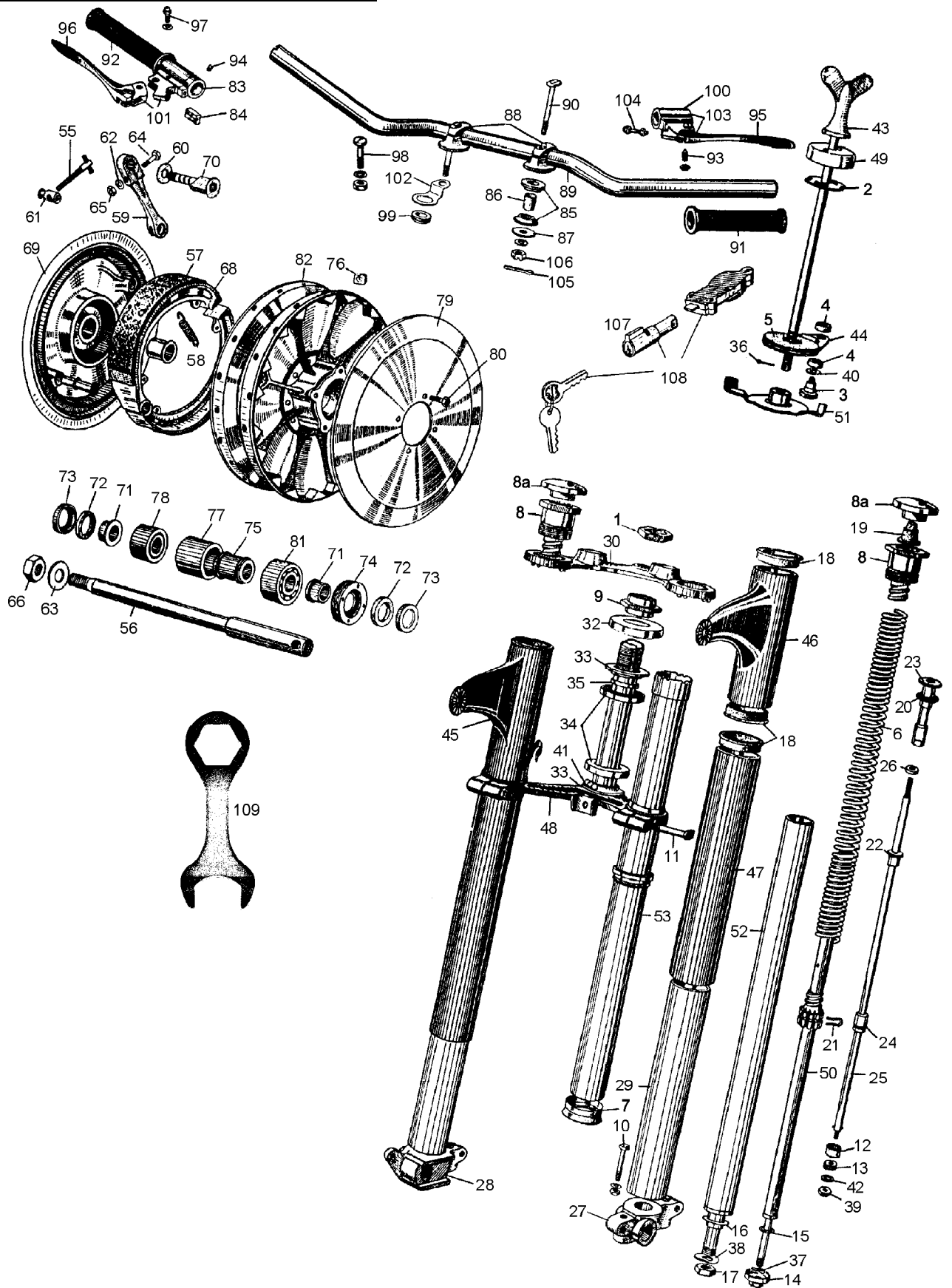
T003	00128	Lock ring fork bushing R25-/2	0,67 €	0,80 €
T004	02100	Fork jacket R 25, R25/2 black powdercoated	25,97 €	30,90 €
T005	00249	Fork spring R25-25/2, used	9,41 €	11,20 €
T006	33343	Front fork upper cap gasket R25, R25/2, R50/5->	0,55 €	0,65 €
T007	00241	Aluminum cap R25, R25/2 fork, polished	16,39 €	19,50 €
T008	00156	Fork mount piece R25, R25/2, used	9,20 €	10,95 €
T00A	8070110	Grommet for Cable holder R25/2, R51/3-R68	2,94 €	3,50 €
T010	00245	Steering damper lock washer R25-R69S	8,78 €	10,45 €
T013	00253	Steering damper bolt R25-R25/3	4,60 €	5,47 €
T014	00257	Steering damper rubber bushing	1,43 €	1,70 €
T015	7051	Steering damper friction plate R25-R69S	2,86 €	3,40 €
T016	00148	Fork bushing R24-25/2	9,16 €	10,90 €
T017	00261	Fork boot R24-25/2	11,26 €	13,40 €
T018	2000151	Trust washer front fork R25, R25/2	2,44 €	2,90 €
T019	00160	Fork pinch bolt R25-R25/3	10,88 €	12,95 €
T021	00166	Fork rubber ring R24-25/2	1,85 €	2,20 €
T023	00182	Steering adjusting screw R24-69S	8,32 €	9,90 €
T024	00184	Dust cap steering head R25-R69S	6,09 €	7,25 €
T028	3025	Steering head bearing set R25-69S, tapered	40,34 €	48,00 €
T028a	5590040	Steering head ballbearing set R25-69S, old version	40,34 €	48,00 €
T029	00202	Headlight ear R25, RH, black powdercoated high-gloss	35,29 €	42,00 €
T030	00204	Headlight ear R25, LH, black powdercoated high-gloss	35,29 €	42,00 €
T031	00208	Fork leg, lower, R25-25/2, right, used	29,41 €	35,00 €
T032	21031	Fork leg, lower, R25-25/2, left, used	29,41 €	35,00 €
T033	00141	Top fork yoke R25, R25/2 used	23,28 €	27,70 €
T034	00114	Steering damper chrome cap	12,27 €	14,60 €
T035	00045	Steering damper knob R25-/3, R51/2-68	31,01 €	36,90 €
T036	00219	Steering damper resistance plate R25-R25/3	15,13 €	18,00 €
T037	00175	Lower fork boot clamp R25, R25/2	1,26 €	1,50 €
T038	00173	Clamp upper fork boot R25, R25/2 and air intake rubber R25/3, R26, R27	1,51 €	1,80 €
T039	00223	Fork tube R25, R25/2 used	28,15 €	33,50 €
T040	00213	Lower fork yoke R25, R25/2 used	51,13 €	60,84 €
T041	00230	Steering damper pressure plate R25-25/3	18,95 €	22,55 €
T043	10055	Brake cable adjusting screw, brass	8,91 €	10,60 €
T044	60126	Front wheel axle R25-R25/2	50,34 €	59,90 €
T045A	4051	Brake lining R25, 25/2	10,00 €	11,90 €
T045B	0098051	Rivets for brake lining, 50 pcs., 8mm long	3,36 €	4,00 €
T047	60134	Brake shoe spring, front, R 25-27	2,48 €	2,95 €
T047b	60133	Front brake shoe spring R20-R24	4,16 €	4,95 €
T048	60141	Wire separator, R 25-68, upper fork	2,24 €	2,67 €
T049	31089	Wheel axle washer, stainless steel	4,86 €	5,78 €
T051	22094	Nut (flat) M8 x 1, brake key	0,29 €	0,35 €
T052	98388	Nut for wheel axle, stainless steel	1,93 €	2,30 €
T054	60109	Brake lever front, R25-/2, used	5,80 €	6,90 €
T055A	6010024	Brake-shoe set, R24 rear	95,00 €	113,05 €
T055A	6010124	Brake-shoe, R24 in exchange (we need the old brake shoes)	20,17 €	24,00 €
T055B	60100	Brake-shoe, R25, R25/2, rebulit	28,49 €	33,90 €
T056	77031	Brake plate, front, R 25-/2, used	43,46 €	51,72 €
T057	60106	Brake key, front, R 25-/2, used	7,67 €	9,13 €
T058A	38141	Thrust bushing R25 RH/LH, used	3,57 €	4,25 €
T058B	038142	Wheel thrust sleeve R25-/3 RH/LH, R26, R27 RH	5,84 €	6,95 €
T059	38155	Feltring, wheel R25/2-27, /5	2,10 €	2,50 €
T060	38157	Feltring cap, wheel bearing R25/2-27	2,94 €	3,50 €
T061	38160	Wheel bearing retainer R25-R25/3	20,97 €	24,95 €
T062	6203	Bearing camshaft R24-R69S, auxiliary shaft R50-R69 pinion shaft R24, wheel R25-R25/2 crankshaft most front R51/3-R69	6,22 €	7,40 €
T063	15064	Bearing auxiliary shaft front R24-R27+R50-R69S front/rear wheel R25-R25/3	22,65 €	26,95 €
T064	38126	Wheel bearing spacer sleeve R25, R25/2 used	14,62 €	17,40 €
T065	38007	Wheel hub R25-R25/2, used	41,93 €	49,90 €
T066	72193	Handlebars mounting rubber R24-25/2	1,93 €	2,30 €
T068A	72164	Throttle control unit R25, R25/2, R25/3	87,94 €	104,65 €
T068B	72166	Throttle controll housing R25-25/3, R51/3-68	50,17 €	59,70 €
T068C	72165	Throttle control cover R25, R25/2, R25/3	12,80 €	15,23 €
T069	72163	Throttle control sliding block R25, R25/2, R25/3	12,80 €	15,23 €
T070A	72280	Handlebars riser R25, R25/2, used	75,00 €	89,25 €
T070B	72101	Handlebar riser R25, R25/2, used	46,01 €	54,75 €



T071	72190	Handlebars riser cap R25, R25/2	6,60 €	7,85 €
T072a	19152	Handlebar rubbers R24-90S, pair, round	8,82 €	10,50 €
T072b	720850	Handlebar rubbers R24-R90S Magura, pair, round	10,84 €	12,90 €
T072c	7208501	Handle bar rubber Magura, RH, round	5,80 €	6,90 €
T072d	7208502	Handle bar rubber Magura LH, round	5,80 €	6,90 €
T073	72167	Throttle twist tube R25-R25/3, R51/2-R68	18,07 €	21,50 €
T074	72109	Clutch lever (blade) R25-R25/3, R51/3-R68	12,86 €	15,30 €
T075	72132	Brake lever R25-25/3, R51/3-R68 (blade)	12,86 €	15,30 €
T076	30870	Clutch/brake lever bolt, early version	2,23 €	2,65 €
T076A	22174	Clutch/brake lever bolt, R25-R69S stainless, polished	6,64 €	7,90 €
T078	23422	Castle nut M10x1	0,97 €	1,15 €
T079	14020	Handlebars mounting screw R25-R25/2 stainless steel	5,80 €	6,90 €
T082	72001	Handlebar R24 with slot	38,57 €	45,90 €
T082A	72027	Handlebar, original shape R25/2-R25/3	28,15 €	33,50 €
T082C	94052	Handlebar wide for sidecar, universal	35,80 €	42,60 €
T082C	4052	Handlebar R26-R69S for side car use	28,15 €	33,50 €
T082D	72002	Handlebar touring medium high, 670mm wide	26,05 €	31,00 €
T082E	5052	Handlebar high, extra-wide (like R50/5-R75/5 US-bar) Fehling	37,10 €	44,15 €
T083	72112	Clutch control unit, R25-R25/3, R51/3-R68	43,49 €	51,75 €
T083A	0072112	Clutch control housing, all models ->55	29,41 €	35,00 €
T090	1025	Fork lock R25, R25/2, R51/2-R68	16,30 €	19,40 €
T091	41036	Tool-wrench 36x41	11,26 €	13,40 €
T100	22031	Used fork R24-25/2 w/o head light ears	248,95 €	296,25 €
T501A	38109	Spoke R24 front and rear, long, chromed, M3.5 w/nipple	1,18 €	1,40 €
T501AA	038105	Spoke R24 front, short, chromed, M3.5, w/nipple	1,60 €	1,90 €
T501B	38107	Spoke R24 rear, short, chromed, M3.5, w/nipple	1,60 €	1,90 €
T501B	0038107	Spoke R24 front, short, chromed, M3.5, w/nipple	1,26 €	1,50 €
T503A	34592	Spoke R50/5-60/6 front (drum), chromed, M4, w/nipp GS up from 1988 >	1,01 €	1,20 €
T503A	3044	Spoke R25, R25/2 short, chromed, w/nipple M3.5	1,09 €	1,30 €
T503B	2044	Spoke R25, R25/2 long, chromed, M3.5, w/nipple	1,09 €	1,30 €



Group Q: Fork and steering R25/3



<u>Picture-No.</u>	<u>Article-No.</u>	<u>Description</u>	<u>Net</u>	<u>Gross</u>
Q0	22174	Clutch/brake lever bolt, R25-R69S stainless, polished	6,64 €	7,90 €
Q0	0098051	Rivets for brake lining, 50 pcs., 8mm long	3,36 €	4,00 €
Q000	97003	Tool for wheel bearing nut R25-27	24,12 €	28,70 €
Q001	00101	Counter nut, fork bridge R 25-69S	5,46 €	6,50 €
Q002	00245	Steering damper lock washer R25-R69S	8,78 €	10,45 €
Q003	00253	Steering damper bolt R25-R25/3	4,60 €	5,47 €



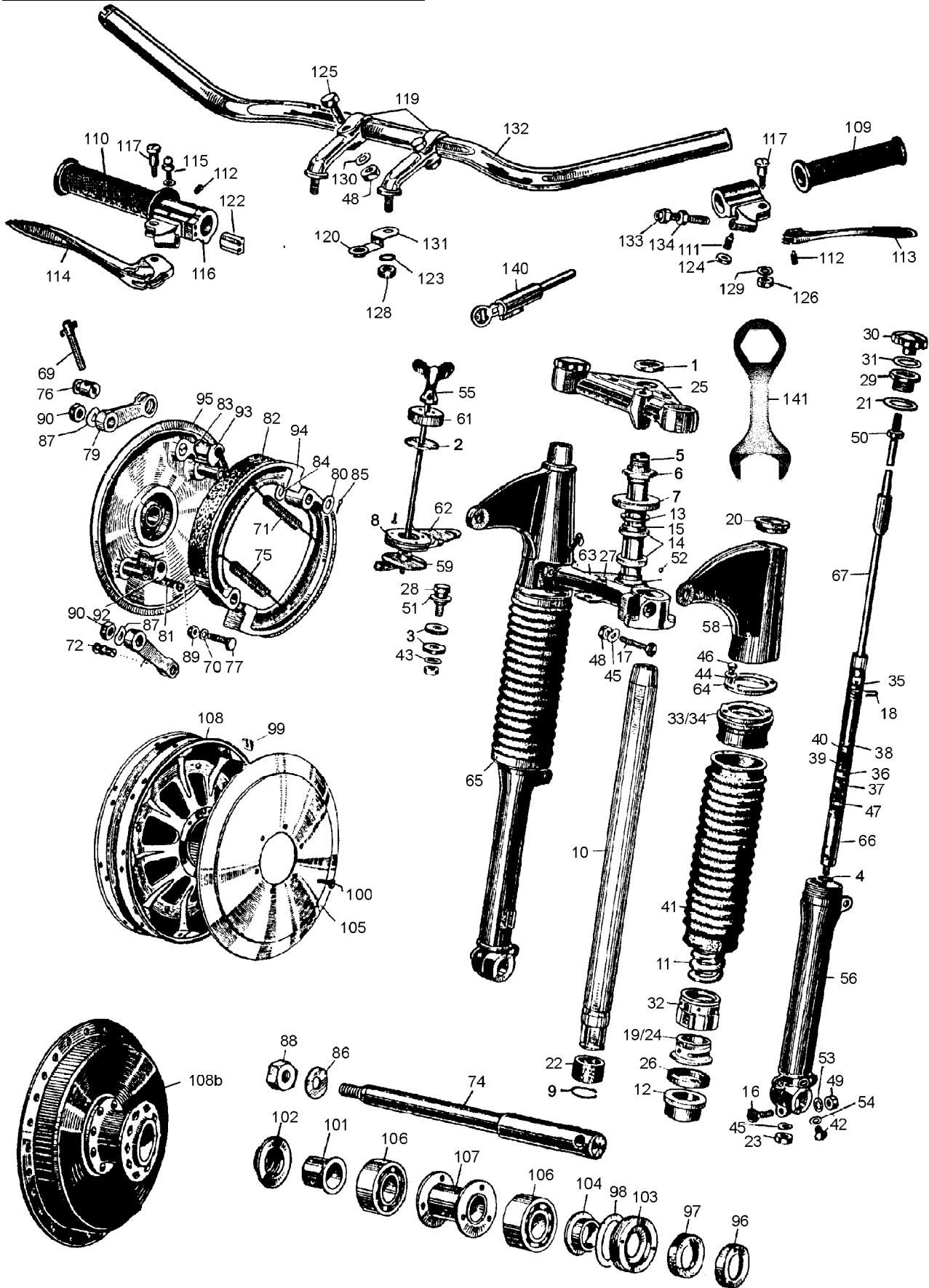
Q004	00257	Steering damper rubber bushing	1,43 €	1,70 €
Q005	7051	Steering damper friction plate R25-R69S	2,86 €	3,40 €
Q006	54002	Fork spring R25/3	22,65 €	26,95 €
Q006A	2054002	Fork spring R25, R25/2	20,00 €	23,80 €
Q007	00285	Seal-ring, fork R 25/3	9,20 €	10,95 €
Q008	54128	Fork mount piece R25/3	36,89 €	43,90 €
Q008A	48044	Fork cap R25/3	16,30 €	19,40 €
Q009	00182	Steering adjusting screw R24-69S	8,32 €	9,90 €
Q010	00107	Axle bolt front R25/3 Stainless Steel	11,68 €	13,90 €
Q011	00160	Fork pinch bolt R25-R25/3	10,88 €	12,95 €
Q014	00290	Fork end lock nut R25/3	8,00 €	9,52 €
Q015	54140	Fork gasket for shock tube, low R25/3, R51/3-R68, R50/5-R75/5	0,42 €	0,50 €
Q016	54144	Gasket washer R25/3 suspension	1,09 €	1,30 €
Q017	2054148	Nut for R25/3 lower fork end, used	2,48 €	2,95 €
Q018	00165	Fork rubber ring R25/3	1,85 €	2,20 €
Q019	54152	Steering stop rubber R25/3	9,20 €	10,95 €
Q021	2054160	Arrest-spring, damper tube, fork 25/3-68	1,94 €	2,31 €
Q023	54168	Thrust piece for fork damper R25/3, used	2,97 €	3,53 €
Q027	00282	Fork end R25/3 LH used	17,90 €	21,30 €
Q028	00278	Brake holder R25/3 used	31,93 €	38,00 €
Q029	92032	Fork jacket lower, R25/3 polished Aluminum	52,10 €	62,00 €
Q030	00139	Top fork yoke R25/3 (black painted)	33,53 €	39,90 €
Q032	00184	Dust cap steering head R25-R69S	6,09 €	7,25 €
Q034	3025	Steering head bearing set R25-69S, tapered	40,34 €	48,00 €
Q034a	5590040	Steering head ballbearing set R25-69S, old version	40,34 €	48,00 €
Q036	45055	Split pin for clutch lever R25-R25/3	0,09 €	0,11 €
Q038	98462	Wave washer B 16	0,34 €	0,40 €
Q039	98310	Nut M5 cinked	0,08 €	0,10 €
Q040	31851	Washer steering damper	0,42 €	0,50 €
Q043	00045	Steering damper knob R25-/3, R51/2-68	31,01 €	36,90 €
Q044	00219	Steering damper resistance plate R25-R25/3	15,13 €	18,00 €
Q045	00199	Headlight ear R25/2-3 RH, black painted, high-gloss	39,45 €	46,95 €
Q046	00206	Headlight ear R25/2-3 LH, black painted, high-gloss	39,45 €	46,95 €
Q047	02111	Fork jacket R25/3, black powdercoated, high-gloss	31,93 €	38,00 €
Q048	00214	Lower fork yoke R25/3, used	51,13 €	60,84 €
Q049	00114	Steering damper chrome cap	12,27 €	14,60 €
Q050	54184	Fork damping unit R25/3, used	34,44 €	40,98 €
Q051	00230	Steering damper pressure plate R25-25/3	18,95 €	22,55 €
Q052	72031	Fork leg lower, R 25/3, used	42,02 €	50,00 €
Q053	20031	Fork tube R25/3 used	30,67 €	36,50 €
Q055	10055	Brake cable adjusting screw, brass	8,91 €	10,60 €
Q056	60127	Front wheel axle R25/3	50,34 €	59,90 €
Q057a	2051	Brake lining R25/3-26-27	10,00 €	11,90 €
Q058	60134	Brake shoe spring, front, R 25-27	2,48 €	2,95 €
Q058	60239	Brake-shoe spring, R51/3-69S, upper, front	2,48 €	2,95 €
Q059	60111	Brake lever front, R 25/3-26-27, used	5,80 €	6,90 €
Q061	60143	Brake cable bolt for adjusting screw	3,19 €	3,80 €
Q063	04378	Wheel axle washer, cinked	0,38 €	0,45 €
Q063b	31089	Wheel axle washer, stainless steel	4,86 €	5,78 €
Q064	98159	Screw M6x30 hexagon	0,15 €	0,18 €
Q065	98323	Nut M6, cinked	0,13 €	0,15 €
Q066	22155	Nut for wheel axle, cinked	0,76 €	0,90 €
Q068b	60103	Brake shoe, R25/3, R26, R27, rebulit	28,49 €	33,90 €
Q069	79031	Brake plate, front, R 25/3, used	51,13 €	60,84 €
Q070	60104	Brake key, front, R 25/3,26,27, used	7,67 €	9,13 €
Q071	038142	Wheel thrust sleeve R25-/3 RH/LH, R26, R27 RH	5,84 €	6,95 €
Q072	38155	Feltring, wheel R25/2-27, /5	2,10 €	2,50 €
Q073	38157	Feltring cap, wheel bearing R25/2-27	2,94 €	3,50 €
Q074	38160	Wheel bearing retainer R25-R25/3	20,97 €	24,95 €
Q075	38128	Wheel bearing inner spacer tube R25/3, used	6,14 €	7,31 €
Q076	15001	Spoke adaptor	0,88 €	1,05 €
Q077	38130	Wheel bearing outer spacer sleeve R25/3 used	4,09 €	4,87 €
Q078	2065	Wheel bearing R25/3	22,27 €	26,50 €
Q079A	91004	Hubcap R25/3, chrome-plated	17,23 €	20,50 €
Q079B	91005	Hubcap R25/3, silver painted	12,52 €	14,90 €
Q080	38181	Screw hub-cap chrome-pated	2,10 €	2,50 €



Q081	15064	Bearing auxiliary shaft front R24-R27+R50-R69S front/rear wheel R25-R25/3	22,65 €	26,95 €
Q082	030010	Wheel hub R25/3, new bearings, power blasted	178,95 €	212,95 €
Q082	38030	Wheel hub R25/3, R26/27, empty, used	41,93 €	49,90 €
Q082B	88090	Wheel bearing carrier R25/3-27	45,50 €	54,15 €
Q083	72165	Throttle control cover R25, R25/2, R25/3	12,80 €	15,23 €
Q083A	72166	Throttle controll housing R25-25/3, R51/3-68	50,17 €	59,70 €
Q083A	72167	Throttle twist tube R25-R25/3, R51/2-R68	18,07 €	21,50 €
Q084	72163	Throttle control sliding block R25, R25/2, R25/3	12,80 €	15,23 €
Q085	72194	Handlebars mounting rubber R25/3, R26	2,35 €	2,80 €
Q086	72147	Handlebar mounting spacer bushing R25/3,26	3,57 €	4,25 €
Q088	72104	Handlebar riser R25/3-27, chrome-plated stainless	38,36 €	45,65 €
Q089A	72027	Handlebar, original shape R25/2-R25/3	28,15 €	33,50 €
Q089C	94052	Handlebar wide for sidecar, universal	35,80 €	42,60 €
Q089C	4052	Handlebar R26-R69S for side car use	28,15 €	33,50 €
Q089D	5052	Handlebar high, extra-wide (like R50/5-R75/5 US-bar) Fehling	37,10 €	44,15 €
Q089E	72002	Handlebar touring medium high, 670mm wide	26,05 €	31,00 €
Q090	72145	Handlebars mounting screw R25/3, R26 chrome-plated	9,03 €	10,75 €
Q091a	19152	Handlebar rubbers R24-90S, pair, round	8,82 €	10,50 €
Q091b	720850	Handlebar rubbers R24-R90S Magura, pair, round	10,84 €	12,90 €
Q091c	7208501	Handle bar rubber Magura, RH, round	5,80 €	6,90 €
Q091d	7208502	Handle bar rubber Magura LH, round	5,80 €	6,90 €
Q093	98154	Screw M6x15 worm w/pin end	0,25 €	0,30 €
Q094	98130	Screw M5x10, worm w/ball end	0,15 €	0,18 €
Q094	98152	Screw M6x8 worm, w/ball end	0,17 €	0,20 €
Q094a	198152	Screw M6x6 worm w/ball end	0,17 €	0,20 €
Q095	72109	Clutch lever (blade) R25-R25/3, R51/3-R68	12,86 €	15,30 €
Q096	72132	Brake lever R25-25/3, R51/3-R68 (blade)	12,86 €	15,30 €
Q098	30870	Clutch/brake lever bolt, early version	2,23 €	2,65 €
Q099	1236462	Grommet brake-hose, lower, R 45/65, 80GS, also be used for cable management R24-R69S	1,26 €	1,50 €
Q100	0072112	Clutch control housing, all models ->55	29,41 €	35,00 €
Q101	72164	Throttle control unit R25, R25/2, R25/3	87,94 €	104,65 €
Q102	72274	Cable connector handlebarholder, R51/2-R68, black	9,20 €	10,95 €
Q103	72112	Clutch control unit, R25-R25/3, R51/3-R68	43,49 €	51,75 €
Q104	72122	Cable adjustor M6, carb R25-68	2,52 €	3,00 €
Q105	36226	Split pin, cined	0,13 €	0,15 €
Q105a	44136	Split pin for brake rod, stainless steel	0,13 €	0,15 €
Q106	23420	Castle nut M8x1	1,26 €	1,50 €
Q107	317025	Fork lock R25/3-R100	9,92 €	11,80 €
Q108	16009	Fork and toolbox lock assembly R25/3, R50-69S	42,52 €	50,60 €
Q109	5076	Tool box lock R25/3, R50-69S	29,16 €	34,70 €
Q109	41036	Tool-wrench 36x41	11,26 €	13,40 €
Q504	31044	Spoke R25/3, R26"old", M3.5, chromed, w/nipple	1,64 €	1,95 €
Q505B	6044	Spoke R25/3-R27, R50-R69S M4x140, R50/5- rear, incl. nipple	1,01 €	1,20 €
Q505D	1047	Spoke R25/3-R27, R50-R69S (2x crossed), R50/5-> rear, stainless steel, incl. Nipple	1,22 €	1,45 €



Group R: Fork and steering R51/2-R68



<u>Picture-No.</u>	<u>Article-No.</u>	<u>Description</u>	<u>Net</u>	<u>Gross</u>
R0	22093	Nut M 8x1 , cinked	0,25 €	0,30 €
R00	8080165	Cable holder R25/2, R51/3-R68 mount on lower fork yoke	12,18 €	14,50 €
R000	4038323	Rim, 51/2-68, semi-hub, stainless, M5-spokes	142,77 €	169,90 €
R000	4038326	Rim, R51/3-68 full-hub, stainless, M4-spokes	134,37 €	159,90 €
R000	38327	Rim, 51/2-68, aluminium, flat shoulder, M5-spokes	146,51 €	174,35 €
R000	38324	Rim, R51/3-68 full-hub, chromeplated, M4-spokes	92,35 €	109,90 €



R000	38325	Rim, R51/3-68 full-hub, aluminum high-shoulder, M4	201,60 €	239,90 €
R000	97002	Tool for wheel bearing nut R51/3-R69S	24,12 €	28,70 €
R000	3071	Rim, 51/2-68, semi-hub, chrome-plated, M5-spokes	92,35 €	109,90 €
R000	9071	Rim, 51/2-68, semi-hub, black/silver, M5 powdercoated	155,00 €	184,45 €
R000	5071	Rim, R51/2-R68, half hub, steel blank for 5mm spokes	75,55 €	89,90 €
R000	0060211	Bolt brake shoes storage R51/3, R67/2, R67/3	6,56 €	7,81 €
R0000	2002151	Fork cover down R51 / 3 - R68, 2 grooves	24,00 €	28,56 €
R001	00101	Counter nut, fork bridge R 25-69S	5,46 €	6,50 €
R002	00245	Steering damper lock washer R25-R69S	8,78 €	10,45 €
R003	00257	Steering damper rubber bushing	1,43 €	1,70 €
R004	54140	Fork gasket for shock tube, low R25/3, R51/3-R68, R50/5-R75/5	0,42 €	0,50 €
R006	00182	Steering adjusting screw R24-69S	8,32 €	9,90 €
R007	00184	Dust cap steering head R25-R69S	6,09 €	7,25 €
R008	7051	Steering damper friction plate R25-R69S	2,86 €	3,40 €
R009	00400	Lock ring fork bushing R51/3-68	0,72 €	0,85 €
R00A	8070110	Grommet for Cable holder R25/2, R51/3-R68	2,94 €	3,50 €
R010	00404	Fork tube R51/3-68 chrome plated	193,19 €	229,90 €
R011	04252	Fork spring R51/2-R68 reinforced	18,49 €	22,00 €
R011a	0042521	Fork spring R51/2-R68 solo	18,49 €	22,00 €
R012	00408	Upper fork bushing R51/3-68 Aluminium	13,28 €	15,80 €
R014	3025	Steering head bearing set R25-69S, tapered	40,34 €	48,00 €
R014a	5590040	Steering head ballbearing set R25-69S, old version	40,34 €	48,00 €
R016	54262	Front axle bolt R25-/2, R51/3, stainless steel	13,36 €	15,90 €
R017	00416	Fork pinch bolt R51/3-68	10,88 €	12,95 €
R018	2054160	Arrest-spring, damper tube, fork 25/3-68	1,94 €	2,31 €
R020	54282	Fork rubber ring R51/2-68	2,35 €	2,80 €
R021	054284	Washer for top fork yoke R51/3-R68	5,46 €	6,50 €
R022	00406	Lower fork bushing R51/3-68 bronze	19,24 €	22,90 €
R025	00438	Top fork yoke R51/3-R68 used	83,95 €	99,90 €
R026	00425	Seal-ring, fork 51/2-68	9,20 €	10,95 €
R027	36102	Generator rubber plug R24, R25, R26	0,63 €	0,75 €
R028	00256	Steering damper bolt R26/27,51/2-69S	4,87 €	5,80 €
R029	54256	Fork mount piece R51-68	14,96 €	17,80 €
R030	89031	Aluminum cap R51/3-68 fork, polished	16,36 €	19,47 €
R031	22053	Fork cap rubber gasket R51/3-68	1,05 €	1,25 €
R033	2054289	forksprig holder divide, R51/2-R68 "solo" version for forkboot	49,79 €	59,25 €
R041	54292	Fork boot R51/3-68	15,13 €	18,00 €
R042	16652	Fork oil drain screw R51/3-R68, Allen head, semicircle, stainless steel	1,60 €	1,90 €
R042	16651	Fork oil drain screw R51/3-R68, Allen head, cylindrical, stainless steel	0,76 €	0,90 €
R042a	9916651	Fork oil drain screw R51/3-R68, halfround head, stainless steel, orig.style	2,94 €	3,50 €
R044	98454	Wave washer	0,05 €	0,06 €
R045	54140	Fork gasket for shock tube, low R25/3, R51/3-R68, R50/5-R75/5	0,42 €	0,50 €
R046	98157	Screw M6x20 hexagon	0,13 €	0,15 €
R048	98352	Nut M8 cinked	0,17 €	0,20 €
R048	0098352	Nut M8 SW14 cinked	1,01 €	1,20 €
R049	99001	Nut M8x1 stainless	0,97 €	1,15 €
R051	31851	Washer steering damper	0,42 €	0,50 €
R054	63037	Gasket ring fork R51/2-R68, R80 85->	0,25 €	0,30 €
R055	00045	Steering damper knob R25-/3, R51/2-68	31,01 €	36,90 €
R056	54210	Fork leg lower, R51/3-68, used	100,00 €	119,00 €
R057a	02160	Upper fork jacket R51-R68 ->09/52 new primed	33,53 €	39,90 €
R058	02170	Headlight ear R51/2-R68, RH w/o varnish	41,51 €	49,40 €
R058a	2002170	Headlight ear R51/2-R68, LH w/o varnish	41,51 €	49,40 €
R059	00450	Steering damper pressure plate R51/3-68	22,27 €	26,50 €
R061	00114	Steering damper chrome cap	12,27 €	14,60 €
R062	00447	Steering damper resistance plate R51/3-68	23,19 €	27,60 €
R063	00440	Lower fork bridge R51/3-68, used	125,97 €	149,90 €
R065	191191	Clamp gearbox boot R50-R69S, small, Fork boot R51/3-R68	1,30 €	1,55 €
R065	9952070	Clamp gearbox boot R50-R69S, small, Fork boot R51/3-R68, solid measure 70mm	3,15 €	3,75 €
R065	9952090	Clamp gearbox boot R50-R69S, big, Fork boot solid measure 90mm	3,53 €	4,20 €
R067	51268	Fork damper unit 51/3-68, new	151,18 €	179,90 €
R069	10055	Brake cable adjusting screw, brass	8,91 €	10,60 €
R071	60239	Brake-shoe spring, R51/3-69S, upper, front	2,48 €	2,95 €
R072A	60264	Brake cable bolt, R 51/3-68, simplex+duplex, V2A	8,82 €	10,50 €
R074A	60223	Front wheel axle R51/3-R68	49,54 €	58,95 €
R074B	60222	Front wheel axle R51/2, stainless steel	60,00 €	71,40 €

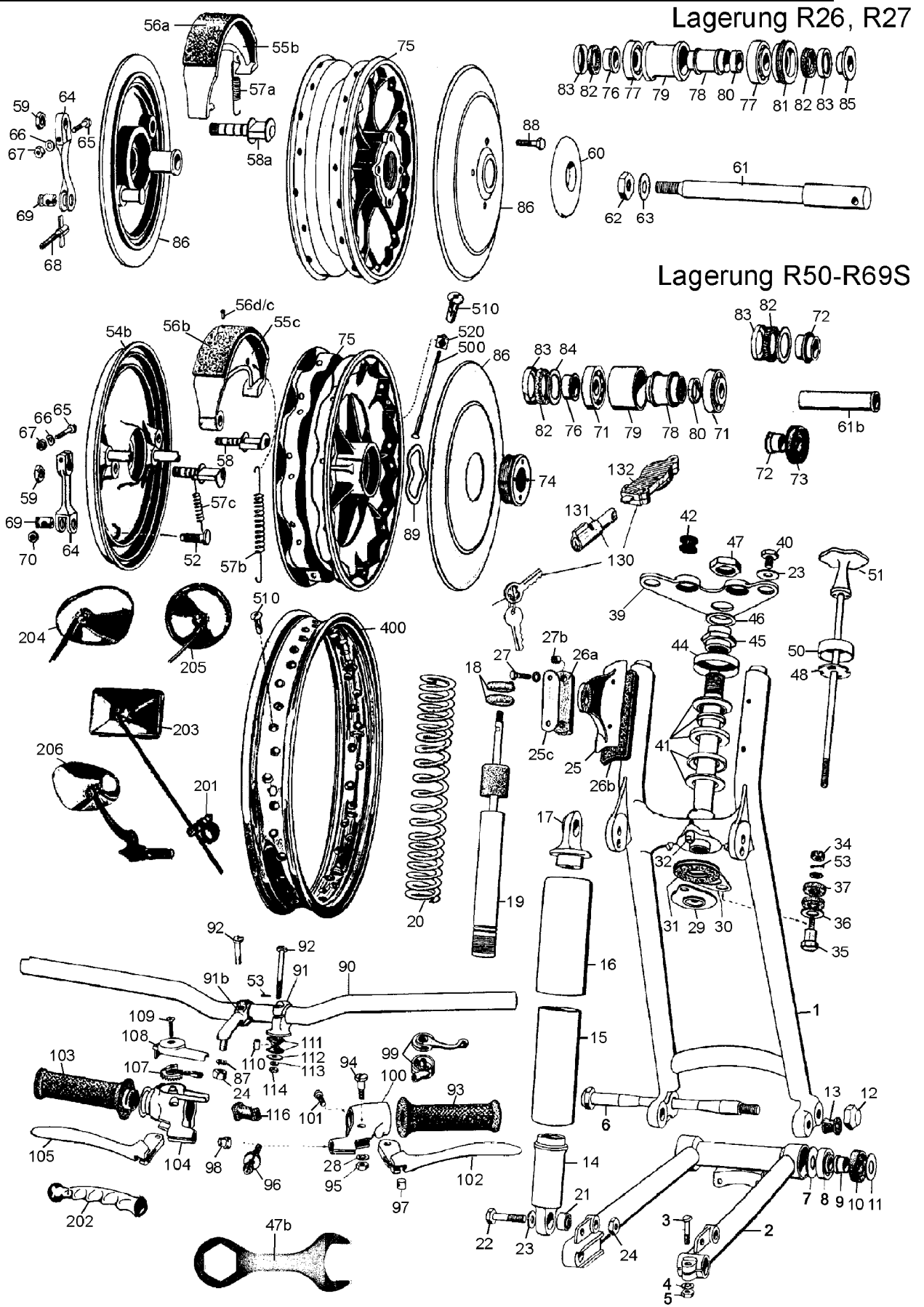


R075	60237	Brake-shoe spring, rear + lower front R51/3-69S	2,73 €	3,25 €
R076	60143	Brake cable bolt for adjusting screw	3,19 €	3,80 €
R077	60167	Excenter bolt, front brake 51/3-69S	8,57 €	10,20 €
R079a	60212	Brake lever R51/3-R68 duplex, front, upper, used	21,00 €	24,99 €
R079B	60209	Brake lever front, R51/2-68 simplex, used	10,23 €	12,17 €
R082A	5051	Brake lining R51/2-68 semi-hub	10,00 €	11,90 €
R082B	3051	Brake lining R51/3-68 full-hub	10,00 €	11,90 €
R082c	0008051	Rivets for brake lining, 50 pcs., 10mm long	3,36 €	4,00 €
R083	60211	Brake lever R51/3, R67, R68 duplex, front, lower, used	21,00 €	24,99 €
R089	22093	Nut M 8x1 , cinked	0,25 €	0,30 €
R090	21615	Nut, flat (m10x1), brake-key and shockabsorber	0,50 €	0,60 €
R092A	60312	Brake key R51/3, R67, R68 half hub duplex, front lower, used	7,67 €	9,13 €
R092B	60310	Brake key, front, lower, R 51/3-68, full-hub, used	7,67 €	9,13 €
R092C	60205	Brake key, front, R 51/2-68, simplex, used	25,50 €	30,35 €
R093	60311	Brake key R51/3, R67, R68 full hub, front, upper, used	7,67 €	9,13 €
R093B	60313	Brake key R51/3, R67, R68 half hub duplex, front upper, used	7,67 €	9,13 €
R094B	60200	Brake shoe set, R 51/3, semi-hub, simplex, 1 Set = 1 Wheel	29,33 €	34,90 €
R095A	75031	Brake plate, front, R 51/3, full-hub, used	150,00 €	178,50 €
R095B	76031	Brake plate, front, R 51/3, semi-hub, new, repro	123,02 €	146,39 €
R096	38255	Feltring cap, wheel bearing R51/3-69S	3,19 €	3,80 €
R097	38259	Feltring, wheel bearing R51/3-69S	2,10 €	2,50 €
R098	30116	Wheel bearing spacer washer R51/3,0,75mm, also washer f. breather new version, oval pins	2,73 €	3,25 €
R099	15001	Spoke adaptor	0,88 €	1,05 €
R100	38181	Screw hub-cap chrome-pated	2,10 €	2,50 €
R101	38239	Thrust bushing RH, R51/3-69	7,14 €	8,50 €
R102	38240	Thrust bushing RH, big, R51/3-68	7,14 €	8,50 €
R103	38270	Wheel bearing retainer R51/2-68 w/ring and felt	9,20 €	10,95 €
R103A	4038270	Wheel bearing retainer R51/2-R68 stainless	22,65 €	26,95 €
R104	38237	Thrust bushing LH, R51/3-68	6,18 €	7,35 €
R105	938274	Hubcap R51/3-68 aluminium	33,53 €	39,90 €
R106	40641	Wheel bearing R51/3-R68	8,15 €	9,70 €
R107	38223	Wheel bearing outer spacer sleeve R51/2-68	12,77 €	15,20 €
R108A	0000313	Wheel-hub, inner part, R51/2-R68, with wheel attachment semi-hub	250,84 €	298,50 €
R108AA	0001077	Wheel-hub, inner part R51/2-R68, with wheel-attachment, full-hub	250,84 €	298,50 €
R108C	38018	Repro wheel R51/2-68	178,95 €	212,95 €
R110	72167	Throttle twist tube R25-R25/3, R51/2-R68	18,07 €	21,50 €
R111	98154	Screw M6x15 worm w/pin end	0,25 €	0,30 €
R112	98130	Screw M5x10, worm w/ball end	0,15 €	0,18 €
R112	98152	Screw M6x8 worm, w/ball end	0,17 €	0,20 €
R112a	198152	Screw M6x6 worm w/ball end	0,17 €	0,20 €
R113	72109	Clutch lever (blade) R25-R25/3, R51/3-R68	12,86 €	15,30 €
R114	72132	Brake lever R25-25/3, R51/3-R68 (blade)	12,86 €	15,30 €
R115	38133	Grease port M6 (fine thread)	2,44 €	2,90 €
R116A	72388	Throttle control unit R51/2-R68	87,90 €	104,60 €
R116B	72166	Throttle controll housing R25-25/3, R51/3-68	50,17 €	59,70 €
R116C	72389	Throttle control cover R51/2-R68	12,80 €	15,23 €
R117	30870	Clutch/brake lever bolt, early version	2,23 €	2,65 €
R117A	22174	Clutch/brake lever bolt, R25-R69S stainless, polished	6,64 €	7,90 €
R119	72301	Handlebars riser R51/2-68, chrome-plated stainless	49,12 €	58,45 €
R121	72112	Clutch control unit, R25-R25/3, R51/3-R68	43,49 €	51,75 €
R121A	0072112	Clutch control housing, all models ->55	29,41 €	35,00 €
R122	72392	Throttle control sliding block R51/2-68	12,80 €	15,23 €
R125A	22081	Handlebars mounting screw R51/2-R68 stainless steel	2,52 €	3,00 €
R125B	1402028	Handlebars mounting screw R51/2-R68, R68-R69 short handlebar holder, stainless steel	5,80 €	6,90 €
R128	22122	Nut M10x1, cinked	0,34 €	0,40 €
R132A	0072513	Handlebar R 51/2-67/3, original shape	28,15 €	33,50 €
R132C	94052	Handlebar wide for sidecar, universal	35,80 €	42,60 €
R132D	72002	Handlebar touring medium high, 670mm wide	26,05 €	31,00 €
R132E	5052	Handlebar high, extra-wide (like R50/5-R75/5 US-bar) Fehling	37,10 €	44,15 €
R132EA	72036	Handlebar, high, with cross bar, Fehling L6, R50-R69S USA, 750mm wide	39,41 €	46,90 €
R133	72122	Cable adjustor M6, carb R25-68	2,52 €	3,00 €
R140	1025	Fork lock R25, R25/2, R51/2-R68	16,30 €	19,40 €
R141	41036	Tool-wrench 36x41	11,26 €	13,40 €
R502A	38208	Spoke R51/3-R68 alloy hub, thick end, chromed w/nipple	1,64 €	1,95 €
R502B	8044	Spoke R51/3-R68 aluminum hub, chromed, M4 w/nipple	1,01 €	1,20 €



R502C	8045	Spoke R51/3-R68 aluminum hub, stainless steel, M4 w/nipple	1,22 €	1,45 €
R502D	25044	Spoke R51/2-R68 half hub, short, M4, w/nipple	1,01 €	1,20 €
R502E	7044	Spoke R51/2-R68 half hub + sidecar, long, chromed, M4 w/nipple	1,01 €	1,20 €
R502F	5044	Spoke R51/2-R68 half hub, short, thick end, M5, chrome plated, w/out nipple	1,93 €	2,30 €
R502G	4044	Spoke R51/2-R68 half hub, long, thick end, M5, chrome plated, w/out nipple	1,93 €	2,30 €

Group S: Front swing and steering all models 1955-1969, rims, spokes, tires





<u>Picture-No.</u>	<u>Article-No.</u>	<u>Description</u>	<u>Net</u>	<u>Gross</u>
S000	72284	Grease port 6mm (standard thread)	1,43 €	1,70 €
S000	97002	Tool for wheel bearing nut R51/3-R69S	24,12 €	28,70 €
S000	97003	Tool for wheel bearing nut R25-27	24,12 €	28,70 €
S000	9960270	Grease port Earles fork R50-R69S, concave	1,18 €	1,40 €
S000	9991001	Hubcap R26/27 silver painted, second Quality	8,40 €	10,00 €
S000	9988001	Hubcap R50-69S, silver painted, second Quality	10,08 €	12,00 €
S000	9988002	Hubcap R50-69S, chrome-plated, second Quality	15,13 €	18,00 €
S000A	112521	Albert mirror RH	20,97 €	24,95 €
S000B	112520	Albert mirror LH	20,97 €	24,95 €
S001A	73031	Earls fork upper, R26/27 used, approved	251,26 €	299,00 €
S001B	80031	Earls fork upper, R50-69S, used, approved	273,11 €	325,00 €
S002A	82031	Swingarm front R 26/27, used	75,63 €	90,00 €
S002B	81031	Swing arm front R50-69S, used	127,73 €	152,00 €
S003	14062	Front axle bolt R26-69S, stainless steel	11,68 €	13,90 €
S005B	99001	Nut M8x1 stainless	0,97 €	1,15 €
S006A	00320	Swing arm axle R50-69S	28,91 €	34,40 €
S006B	00321	Swing arm axle R50-69S, stainless steel	38,74 €	46,10 €
S007	20136	Washer for Earles swing (inner) gearbox inlet R50-R69S	2,44 €	2,90 €
S008	13064	Wheel bearing R26/27, R50/5-R100, R45/65 >09/84 + rocker arm, in front and rear R26-69S	15,88 €	18,90 €
S008	0013064	Wheel bearing R26/27, swingarm R26-R100 +0.10 / +0.15 mm	37,82 €	45,00 €
S009	00324	Thrust bushing f. swingarm R26-69S	5,84 €	6,95 €
S010	00331	Seal-ring, swingarm all	3,19 €	3,80 €
S011A	31198	Distance washer 2mm front Earles swing R26-R69S	2,10 €	2,50 €
S011A	31196	Distance washer 1mm front Earles swing R26-R69S	2,10 €	2,50 €
S011A	31197	Distance washer 1,5mm front Earles swing R26-R69S	2,10 €	2,50 €
S011B	31199	Distance washer 2.5mm for Earles swing R26-R69S	2,10 €	2,50 €
S011C	31200	Distance washer 3mm Earles swing R26-R69S	2,10 €	2,50 €
S012	00328	Earles axle nut R26-69S, stainless steel	11,72 €	13,95 €
S012A	00329	Earles axle nut R26-69S, chromeplated	8,32 €	9,90 €
S013	00332	Earles fork pivot rubber plug	3,19 €	3,80 €
S014	28030	Lower front damper mount R26-R69S , polished	33,53 €	39,90 €
S015	2077	Front, lower aluminium shock cover R26-69S	15,04 €	17,90 €
S016	3077	Front, upper aluminium shock covering R26-69S	20,17 €	24,00 €
S017	130031	Shock mount R26, R27, R50-R69S, front, upper, used	9,20 €	10,95 €
S018	54528	Shock absorber stop rubber	1,93 €	2,30 €
S019A	2054032	Shock cartridge R50-69S, front	80,00 €	95,20 €
S019AA	2054031	Shock cartridge R26/27, front	80,00 €	95,20 €
S020	540071	Spring, front suspension, R26/27, R50-69S sidecar	14,12 €	16,80 €
S020	54007	Spring, front suspension, R 26/27, 50-69S	14,12 €	16,80 €
S021	46016	Silent bloc shocks R50-69S front, 26/27 front+rear	3,49 €	4,15 €
S022A	13346	Shock absorber mounting screw R26-R69S front upper, R26/27 front lower and rear left, chrome	5,00 €	5,95 €
S022B	14345	Shock absorber mounting screw R26-R69S front upper R26/27 front lower and rear left, stainless steel	6,64 €	7,90 €
S022C	14347	Shock absorber mounting screw R50-R69S, front lower, stainless steel polished	6,64 €	7,90 €
S023B	00345	Shock and fork bolt washer, chromeplated stainless	3,32 €	3,95 €
S023Ba	2000345	Shock and fork bolt washer, chromeplated steel	2,10 €	2,50 €
S024A	22122	Nut M10x1, cined	0,34 €	0,40 €
S024B	98365	Nut M10x1 stainless	1,60 €	1,90 €
S025A	00306	Headlight ear LH R26-69S, varnished black	28,11 €	33,45 €
S025B	00314	Headlight ear RH R26-69S, varnished black	28,11 €	33,45 €
S025C	00347	Headlight ear mounting sheet R26-69S, black	2,35 €	2,80 €
S026A	00338	Headlight mount rubber R26-69S, small	5,29 €	6,30 €
S026B	00336	Headlight mount rubber R26-69S, large	6,89 €	8,20 €
S027A	98157	Screw M6x20 hexagon	0,13 €	0,15 €
S027B	00340	Distance bushing for headlight bracket R26-69S	2,52 €	3,00 €
S027C	98160	Screw M 6x20 hexagon stainless	0,25 €	0,30 €
S029	00231	Thrust plate for steering damper R26-R69S	18,91 €	22,50 €
S030A	00220	Steering damper resistance plate R26/27	14,83 €	17,65 €
S030B	00217	Steering damper resistance plate R50-69S	15,88 €	18,90 €
S031	7051	Steering damper friction plate R25-R69S	2,86 €	3,40 €
S032	00295	Steering damper bolt Earles fork, stainless	6,64 €	7,90 €
S034	23421	Castle nut M8	0,97 €	1,15 €
S035	00256	Steering damper bolt R26/27,51/2-69S	4,87 €	5,80 €
S036	31851	Washer steering damper	0,42 €	0,50 €



S037	00257	Steering damper rubber bushing	1,43 €	1,70 €
S039A	00124	Top fork yoke R26, new painted	33,53 €	39,90 €
S039B	00129	Top fork yoke R27	33,53 €	39,90 €
S039C	00349	Top fork yoke R50-R69S used	21,01 €	25,00 €
S039D	00350	Top fork yoke R50-R69S fits with /5 handlebar mounts	38,35 €	45,64 €
S039E	00351	Top fork yoke R50-R69S	33,53 €	39,90 €
S040A	00343	Fork top bolt R26-R69S chrome plated	3,95 €	4,70 €
S040B	00344	Top fork bolt R26-69S, stainless polished	5,63 €	6,70 €
S041	3025	Steering head bearing set R25-69S, tapered	40,34 €	48,00 €
S041a	5590040	Steering head ballbearing set R25-69S, old version	40,34 €	48,00 €
S042	00299	Rubber plug for upper fork yoke R50-69S	0,97 €	1,15 €
S044	00184	Dust cap steering head R25-R69S	6,09 €	7,25 €
S045	00182	Steering adjusting screw R24-69S	8,32 €	9,90 €
S046	1231200	Spacer 1.0mm R26-R69S	2,69 €	3,20 €
S046A	31201	Spacer 1.5mm R26-R69S	2,69 €	3,20 €
S046B	31202	Spacer 2.0mm R26-69S	2,48 €	2,95 €
S046C	31203	Spacer 2.5mm R26-R69S	2,48 €	2,95 €
S046D	31204	Spacer 3.0mm R26-R69S	2,48 €	2,95 €
S047	00101	Counter nut, fork bridge R 25-69S	5,46 €	6,50 €
S047B	41036	Tool-wrench 36x41	11,26 €	13,40 €
S048	00245	Steering damper lock washer R25-R69S	8,78 €	10,45 €
S049	90425	Spacer for /5 fork in old frame	8,32 €	9,90 €
S050	00114	Steering damper chrome cap	12,27 €	14,60 €
S051	00049	Steering damper knob R26-69S	80,59 €	95,90 €
S052	60167	Excenter bolt, front brake 51/3-69S	8,57 €	10,20 €
S053	36226	Split pin, cined	0,13 €	0,15 €
S053a	44136	Split pin for brake rod, stainless steel	0,13 €	0,15 €
S054A	78031	Brake plate, front, R26/27, used	65,55 €	78,00 €
S054B	74031	Brake plate, front, R50-69S, used	92,03 €	109,52 €
S055A	0060203	Brake shoe, R50-R69S, front, rebuilt	33,53 €	39,90 €
S055B	60103	Brake shoe, R25/3, R26, R27, rebulit	28,49 €	33,90 €
S055C	60241	Brake-shoe, R50-R69S, rear upper, rebuilt	33,53 €	39,90 €
S055D	6024101	Brake-shoe, R50-R69S, rear lower, rebuilt	33,53 €	39,90 €
S056A	2051	Brake lining R25/3-26-27	10,00 €	11,90 €
S056B	1051	Brake lining R50-69S	10,00 €	11,90 €
S056C	0098051	Rivets for brake lining, 50 pcs., 8mm long	3,36 €	4,00 €
S056D	0008051	Rivets for brake lining, 50 pcs., 10mm long	3,36 €	4,00 €
S057A	60134	Brake shoe spring, front, R 25-27	2,48 €	2,95 €
S057B	60237	Brake-shoe spring, rear + lower front R51/3-69S	2,73 €	3,25 €
S057C	60277	Front brake spring for excenter bolt R51/3-69S	3,99 €	4,75 €
S057C	60239	Brake-shoe spring, R51/3-69S, upper, front	2,48 €	2,95 €
S058A	60104	Brake key, front, R 25/3,26,27, used	7,67 €	9,13 €
S058C	60206	Brake key, front, lower, R 50-69S, orig.BMW	25,13 €	29,90 €
S059A	21615	Nut, flat (m10x1), brake-key and shockabsorber	0,50 €	0,60 €
S059B	22094	Nut (flat) M8 x 1, brake key	0,29 €	0,35 €
S060	9077	Hubcap R26/27, small, silver painted	9,41 €	11,20 €
S060A	60171	Hubcap R26/27, small, chrome-plated	12,52 €	14,90 €
S061A	60227	Front wheel axle R26-R69S, stainless steel, polished	50,34 €	59,90 €
S061B	60174	Front wheel axle bushing R50-R69S	16,72 €	19,90 €
S061B	0060227	Front wheel axle R26-R69S, cinked	17,23 €	20,50 €
S061B	2060337	Front wheel axle bushing R50-R69S US-Version	17,86 €	21,25 €
S062a	22155	Nut for wheel axle, cinked	0,76 €	0,90 €
S063a	04378	Wheel axle washer, cined	0,38 €	0,45 €
S063b	31089	Wheel axle washer, stainless steel	4,86 €	5,78 €
S064A	60111	Brake lever front, R 25/3-26-27, used	5,80 €	6,90 €
S064B	60210	Brake lever front, R50-69S used	27,65 €	32,90 €
S065	98159	Screw M6x30 hexagon	0,15 €	0,18 €
S066	98454	Wave washer	0,05 €	0,06 €
S068	10055	Brake cable adjusting screw, brass	8,91 €	10,60 €
S069A	60143	Brake cable bolt for adjusting screw	3,19 €	3,80 €
S069B	30040	Brake cable bolt, no thread, R50-69S, R50/5-R60/6 (w/front drum brake)	7,48 €	8,90 €
S070	60178	Brake cable adjuster nut	2,69 €	3,20 €
S071	5064	Wheel bearing, R50-R69S, 30204	15,88 €	18,90 €
S072A	38230	Thrust bushing LH R50-69S (felt)	9,66 €	11,50 €
S072B	38243	Thrust bushing LH R50-69S (rubber seal)	10,08 €	12,00 €
S073	56562	Seal-ring, wheel and camshaft R51/3-69S	3,91 €	4,65 €



S074A	38271	Wheel bearing retainer R50-R69S, felt	25,13 €	29,90 €
S074B	38272	Wheel bearing retainer R50-69S, seal	25,13 €	29,90 €
S075A	38030	Wheel hub R25/3, R26/27, empty, used	41,93 €	49,90 €
S075AB	030011	Wheel hub R26/27, new bearings, power blasted	178,95 €	212,95 €
S075B	48001	Wheel hub R50-R69S, new, empty	533,61 €	635,00 €
S075C	00090	Wheel hub repair work	92,02 €	109,50 €
S075D	88090	Wheel bearing carrier R25/3-27	45,50 €	54,15 €
S075E	38198	Rear wheel coupling (hub) R50-R69S	67,10 €	79,85 €
S075F	30015	Rear wheel coupling repair R50-R69S	54,62 €	65,00 €
S075G	2030017	Wheel hub R50-69S, used, empty	378,15 €	450,00 €
S076A	038142	Wheel thrust sleeve R25-/3 RH/LH, R26, R27 RH	5,84 €	6,95 €
S076B	38241	Wheel thrust bushing R50-R69S RH	10,00 €	11,90 €
S077	13064	Wheel bearing R26/27, R50/5-R100, R45/65 >09/84 + rocker arm, in front and rear R26-69S	15,88 €	18,90 €
S077	0013064	Wheel bearing R26/27, swingarm R26-R100 +0.10 / +0.15 mm	37,82 €	45,00 €
S078A	38127	Wheel bearing inner spacer tube R25/3-27	9,20 €	10,95 €
S078B	38225	Wheel bearing inner spacer tube R50-69S	13,70 €	16,30 €
S079A	38131	Wheel bearing outer spacer sleeve R25/3-27	9,20 €	10,95 €
S079B	38229	Wheel bearing outer spacer sleeve R50-69S	12,69 €	15,10 €
S080A	31241	Wheel bearing spacer ring 6.75mm /5 + singles	2,94 €	3,50 €
S080A	31240	Wheel bearing spacer ring 6.65mm /5 + singles	2,94 €	3,50 €
S080A	30782	Wheel bearing spacer ring 6.35mm /5 + singles	2,94 €	3,50 €
S080A	30783	Wheel bearing spacer ring 6.4mm /5 + singles	2,94 €	3,50 €
S080A	30784	Wheel bearing spacer ring 6.45mm /5 + singles	2,94 €	3,50 €
S080A	30785	Wheel bearing spacer ring 6.5mm /5 + singles	2,94 €	3,50 €
S080A	30786	Wheel bearing spacer ring 6.55mm /5 + singles	2,94 €	3,50 €
S080A	30787	Wheel bearing spacer ring 6.6mm /5 + singles	2,94 €	3,50 €
S080A	30789	Wheel bearing spacer ring 6.8mm /5 + singles	2,94 €	3,50 €
S080A	31242	Wheel bearing spacer ring 6.85mm /5 + singles	2,94 €	3,50 €
S080A	31243	Wheel bearing spacer ring 6.9mm /5 + singles	2,94 €	3,50 €
S080A	31244	Wheel bearing spacer ring 6.95mm /5 + singles	2,94 €	3,50 €
S080A	31245	Wheel bearing spacer ring 7.00mm /5 + singles	2,94 €	3,50 €
S080A	31246	Wheel bearing spacer ring 7.05mm /5 + singles	2,94 €	3,50 €
S080A	31248	Wheel bearing spacer ring 7.15mm /5 + singles	2,94 €	3,50 €
S080A	31249	Wheel bearing spacer ring 7.20mm /5 + singles	2,94 €	3,50 €
S080A	30781	Wheel bearing spacer ring 6.3mm /5 + singles	2,94 €	3,50 €
S080B	38338	Wheel bearing spacer ring R50-69S, 7.4mm	2,73 €	3,25 €
S080B	38331	Wheel bearing spacer ring R50-69S, 7.05mm	2,52 €	3,00 €
S080B	38332	Wheel bearing spacer ring R50-69S 7.10mm	2,52 €	3,00 €
S080B	38333	Wheel bearing spacer R50-69S 7.15mm	2,52 €	3,00 €
S080B	38334	Wheel bearing spacer ring R50-69S, 7.2mm	2,52 €	3,00 €
S080B	38335	Wheel bearing spacer ring R50-69S 7.25mm	2,52 €	3,00 €
S080B	38336	Wheel bearing spacer ring R50-60S, 7.3mm	2,52 €	3,00 €
S080B	38337	Wheel bearing spacer ring R50-69S 7.35mm	2,52 €	3,00 €
S080B	38330	Wheel bearing spacer ring R50-69S, 7.0mm	2,52 €	3,00 €
S081B	38162	Wheel bearing retainer R26/27, R25/3 last versions	9,71 €	11,55 €
S081C	38161	Wheel bearing retainer R26/27, R25/3-1955 stainless steel	22,44 €	26,70 €
S082A	38155	Feltring, wheel R25/2-27, /5	2,10 €	2,50 €
S082B	38259	Feltring, wheel bearing R51/3-69S	2,10 €	2,50 €
S082C	38156	Feltring, wheel nut R50-69S	1,85 €	2,20 €
S083A	38157	Feltring cap, wheel bearing R25/2-27	2,94 €	3,50 €
S083B	38255	Feltring cap, wheel bearing R51/3-69S	3,19 €	3,80 €
S084	38267	Wheel bearing cover disc R50-69S	1,60 €	1,90 €
S085	038143	Wheel thrust sleeve R26/27	7,98 €	9,50 €
S086A	91002	Hubcap R26/27, chrome-plated	18,49 €	22,00 €
S086B	91001	Hubcap R26/27 silver painted	13,44 €	15,99 €
S086C	88002	Hubcap R50-69S, chrome-plated	21,85 €	26,00 €
S086D	88001	Hubcap R50-69S, silver painted	15,13 €	18,00 €
S087	22083	Wave washer B 10	0,17 €	0,20 €
S088	38181	Screw hub-cap chrome-pated	2,10 €	2,50 €
S088B	38182	Srew hub-cap stainless	5,00 €	5,95 €
S089	38263	Washer spring for hubcap R50-69S	1,89 €	2,25 €
S090B	94052	Handlebar wide for sidecar, universal	35,80 €	42,60 €
S090B	4052	Handlebar R26-R69S for side car use	28,15 €	33,50 €
S090C	72002	Handlebar touring medium high, 670mm wide	26,05 €	31,00 €
S090D	5052	Handlebar high, extra-wide (like R50/5-R75/5 US-bar) Fehling	37,10 €	44,15 €



S090DA	72036	Handlebar, high, with cross bar, Fehling L6, R50-R69S USA, 750mm wide	39,41 €	46,90 €
S090E	72129	Handlebar R26-69S	28,15 €	33,50 €
S090F	3062	Handlebar Fehling LN A, 200mm high	30,17 €	35,90 €
S090G	3063	Handlebar Fehling LN B, 250mm high	40,25 €	47,90 €
S091	72104	Handlebar riser R25/3-27, chrome-plated stainless	38,36 €	45,65 €
S091B	72306	Handlebar riser R50-69S, chromeplated stainless steel	42,23 €	50,25 €
S092A	72145	Handlebars mounting screw R25/3, R26 chrome-plated	9,03 €	10,75 €
S092B	72146	Handlebar riser screw R27, chromeplated	9,07 €	10,79 €
S092C	72288	Handlebars mounting screw R50-69S, chrome-plated	8,57 €	10,20 €
S092D	98351	Lock nut, M8x1	0,42 €	0,50 €
S093a	19152	Handlebar rubbers R24-90S, pair, round	8,82 €	10,50 €
S093b	720850	Handlebar rubbers R24-R90S Magura, pair, round	10,84 €	12,90 €
S093c	7208501	Handle bar rubber Magura, RH, round	5,80 €	6,90 €
S093d	7208502	Handle bar rubber Magura LH, round	5,80 €	6,90 €
S094A	30870	Clutch/brake lever bolt, early version	2,23 €	2,65 €
S094B	38380	Clutch/brake lever pivot bolt, late version	2,94 €	3,50 €
S094B	22174	Clutch/brake lever bolt, R25-R69S stainless, polished	6,64 €	7,90 €
S096A	72221	Cable adjusting screw R26/27, R50-R69S	2,48 €	2,95 €
S096B	30876	Cable adjustor R50/5-R100, without slot R50/5-R75/5	6,68 €	7,95 €
S096C	30878	Cable adjustor M10x1 , with slot R60/6-R100	9,16 €	10,90 €
S097	11440	Cable nipple adaptor R26-R69S, R50/5-R100	4,16 €	4,95 €
S097B	30404	Cable nipple adaptor 8mm	1,39 €	1,65 €
S098	30877	Cable adaptor R50/5-R100	2,10 €	2,50 €
S099	72371	Choke lever for 1 cable, black	23,49 €	27,95 €
S099	11610	Choke lever, silver, 1-cable	25,17 €	29,95 €
S099a	72361	Ignition retard lever R51/2, R68, R69 complete	47,02 €	55,95 €
S100A	32980	Clutch control unit R50/5-90S ->09/74	83,99 €	99,95 €
S100A	1232980	Clutch control unit R50/5-R75/5, old version remaining stock MAGURA	125,97 €	149,90 €
S101	72219	Screw for control-unit R26-R69S, R50/5-R75/5	0,42 €	0,50 €
S102A	72225	Clutch lever R26/27, R50-R69S, early, wide, blade style	12,86 €	15,30 €
S102B	72254	Clutch lever R26/27, R50-69S, late, narrow, blade style	12,86 €	15,30 €
S102C	72226	Clutch lever R26/27, R50-69S, ball end	12,86 €	15,30 €
S103	72153	Throttle twist tube R26/27, R50-69S	25,80 €	30,70 €
S104	72223	Wedge for throttle/clutch assy	4,16 €	4,95 €
S104A	1232981	Throttle control unit R50/5-R90S ->08/74	125,97 €	149,90 €
S104B	25600	Throttle control "Sport", 1 cable, radial, 46mm stroke, aluminum	67,14 €	79,90 €
S105A	72253	Brake lever, R26-69S, R50-69S, old version, wide, blade style	12,86 €	15,30 €
S105B	72252	Brake lever, ball type R26/27, R50-R69S	12,86 €	15,30 €
S105C	11130	Brake control assembly, universal, Magura	32,69 €	38,90 €
S107	1232463	Throttle cam R50/5-R90S ->09/74	45,63 €	54,30 €
S107A	72265	Throttle cam R26/27	40,63 €	48,35 €
S107B	72384	Throttle cam R50-69S	45,63 €	54,30 €
S108A	31461	Throttle cover R50-69S, used	15,34 €	18,25 €
S109	32668	Screw for throttle cover R26-R100 ->81	1,68 €	2,00 €
S109a	72259	Screw for throttle cover R26-R100 ->81, stainless steel polished	4,62 €	5,50 €
S110	72147	Handlebar mounting spacer bushing R25/3,26	3,57 €	4,25 €
S111	72194	Handlebars mounting rubber R25/3, R26	2,35 €	2,80 €
S114	23420	Castle nut M8x1	1,26 €	1,50 €
S116A	42495	Grommet for throttle cabel/handle bar (1 cable)	2,48 €	2,95 €
S116B	30037	Grommet for throttle cabel/handle bar (2 cables)	2,10 €	2,50 €
S130	16009	Fork and toolbox lock assembly R25/3, R50-69S	42,52 €	50,60 €
S131	317025	Fork lock R25/3-R100	9,92 €	11,80 €
S132	5076	Tool box lock R25/3, R50-69S	29,16 €	34,70 €
S201	2035	Mirror clamp 10mm	1,93 €	2,30 €
S202	2043	Ballend rubber sleeve for blade lever	1,81 €	2,15 €
S202a	0002043	Ballend rubber sleeve for blade lever	2,94 €	3,50 €
S203	1039	Mirror, rectangular, clamp on, RH+LH	13,36 €	15,90 €
S204A	3039	Mirror, oval, LH, clamp on	12,52 €	14,90 €
S204B	3040	Mirror, oval, RH, clamp on	12,52 €	14,90 €
S205A	4039	Mirror, round w/clamp	12,52 €	14,90 €
S205B	7039	Mirror round, R26-69S LH, screw in	23,11 €	27,50 €
S205B	2014039	Mirror, round w/clamp, left/right one pair	18,40 €	21,90 €
S205C	7040	Mirror oval, R26-69S LH, screw in	23,11 €	27,50 €
S206A	6039	Mirror oval, LH, bar end mount	16,72 €	19,90 €
S206A	0006039	Mirror oval, RH, bar end mount	16,72 €	19,90 €
S206B	6040	Mirror round, LH, bar end mount	16,72 €	19,90 €



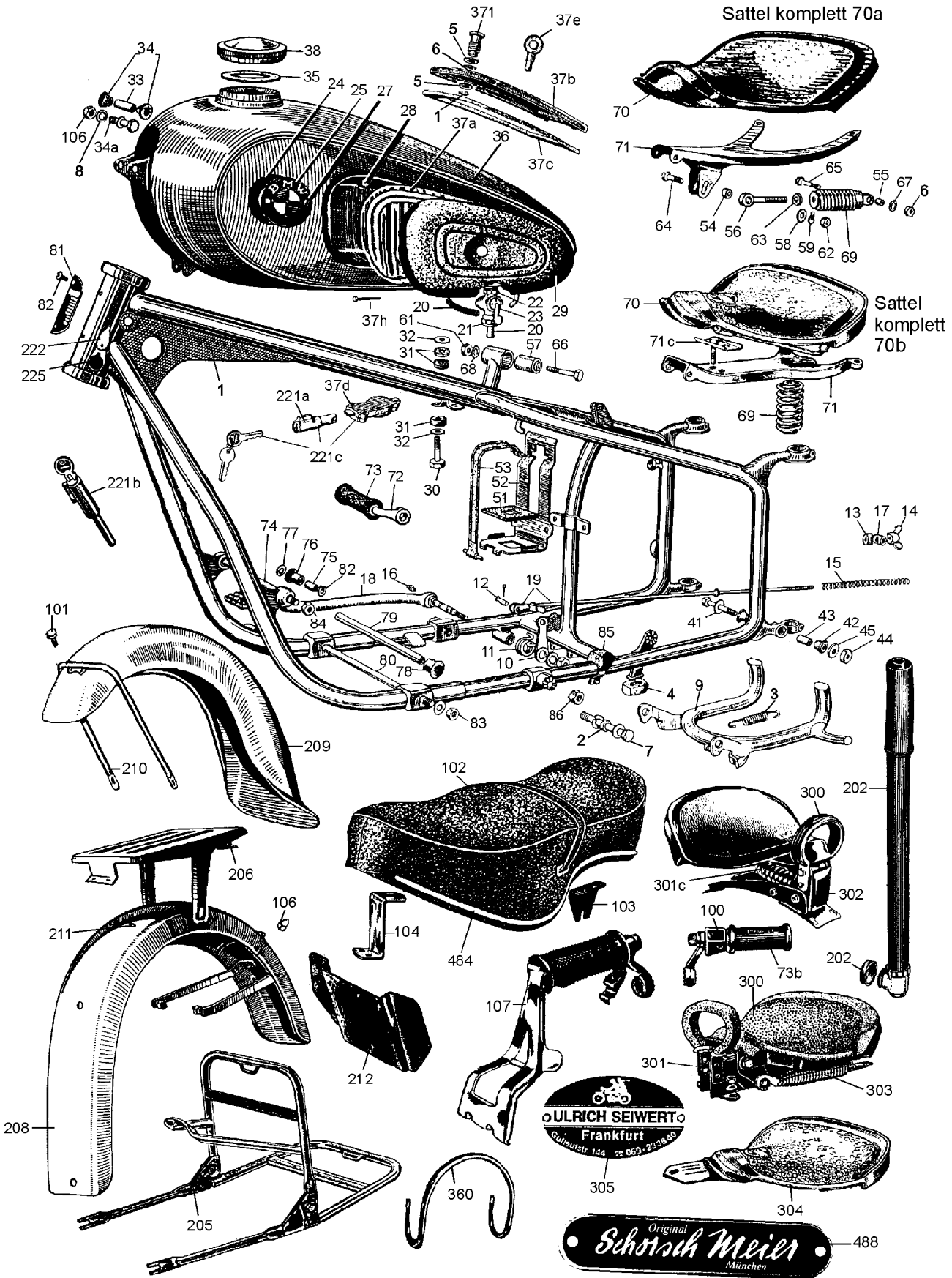
S206C	0006041	Mirror round, RH, bar end mount	16,72 €	19,90 €
S301A	3055	Brake cable R24-27, 51/2/3-68	5,80 €	6,90 €
S301AA	30551	Brake cable R24-27, 51/2-68, +15cm	7,14 €	8,50 €
S301AB	30552	Brake cable R24-27, R51/3-68 +30cm	7,14 €	8,50 €
S301AC	3411841	Brake cable R51/3-R68 DUPLEX 1953 >>	7,14 €	8,50 €
S301B	5055	Brake cable R50-69S	6,81 €	8,10 €
S301C	50552	Brake cable R50-69S +15cm	7,14 €	8,50 €
S301D	5055230	Brake cable R50-69S +30cm	9,16 €	10,90 €
S302A	7055	Throttle cable R25,25/2,26,27	4,37 €	5,20 €
S302AB	70551	Throttle cable Blitz-carburator R26, R27	4,37 €	5,20 €
S302AC	70552	Throttle cable Blitz-carburator R25/3	4,37 €	5,20 €
S302AC	7056	Throttle cable R25, R25/2, R26, R27 (+15cm)	4,37 €	5,20 €
S302B	7054	Throttle cable R25/3	4,37 €	5,20 €
S302BB	7053	Throttle cable R25/3 (+15cm)	4,37 €	5,20 €
S302C	72355	Throttle cable R51/2-R68	5,00 €	5,95 €
S302CB	72356	Throttle cable R51/2-R68 (+15cm)	5,46 €	6,50 €
S302CC	72357	Throttle cable R51/2-68 (+30cm)	5,80 €	6,90 €
S302D	72348	Throttle cable R50-69S, 50/5-60/7, R90S	4,96 €	5,90 €
S302DB	72349	Throttle cable R50-69S, R50/5-60/7 (+15cm)	4,96 €	5,90 €
S302DC	72350	Throttle cable R50-69S, R50/5-60/7 (+30cm)	4,96 €	5,90 €
S303A	72215	Clutch-cable R25-69S	5,25 €	6,25 €
S303B	72216	Clutch-cable R25-69S (+15cm)	5,67 €	6,75 €
S303C	72217	Clutch-cabe R25-69S (+30cm)	5,84 €	6,95 €
S303D	70233	Clamp, clutchcable/frame, stainless	6,05 €	7,20 €
S400A	7071	Rim, R 25-/2, chrome plated steel	92,35 €	109,90 €
S400B	8071	Rim, R 25-/2, black/silver, powdercoated	160,00 €	190,40 €
S400C	4038114	Rim, R 25-/2, stainless	134,37 €	159,90 €
S400D	2071	Rim, R25/3, R26, R27 chrome 2.15x18, 36L, M4	92,35 €	109,90 €
S400DA	4038116	Rim, R 25/3-27, stainless	142,77 €	169,90 €
S400E	1071	Rim, R 50-69S, chrome plated steel, 140mm spokes	117,56 €	139,90 €
S400EA	38217	Rim, R 50-69S, chrome plated steel, 116mm spokes	117,56 €	139,90 €
S400EB	38212	Rim, R 50-69S, alloy, high shoulder polished, 116mm spokes	201,60 €	239,90 €
S400EC	038217	Rim, R 50-69S, stainless, 140mm spokes	159,58 €	189,90 €
S400ED	4038220	Rim, rear, R50-69S, 140mm spokes, chrome plated, 2.50x18, sidecar-use	184,79 €	219,90 €
S400EE	4038217	Rim, R 50-69S, stainless, 116mm spokes	159,58 €	189,90 €
S400EF	38211	Rim, R 50-69S, aluminium, high shoulder polished, 140mm spokes	201,60 €	239,90 €
S400F	38116	Rim, R 25/3-27, aluminium, high shoulder	201,60 €	239,90 €
S400G	3071	Rim, 51/2-68, semi-hub, chrome-plated, M5-spokes	92,35 €	109,90 €
S400GA	9071	Rim, 51/2-68, semi-hub, black/silver, M5, powdercoated	155,00 €	184,45 €
S400GB	38324	Rim, R51/3-68 full-hub, chromeplated, M4-spokes	92,35 €	109,90 €
S400GC	38327	Rim, 51/2-68, aluminium, flat shoulder, M5-spokes	146,51 €	174,35 €
S400H	5071	Rim, R51/2-R68, half hub, steel blank for 5mm spokes	75,55 €	89,90 €
S400I	38325	Rim, R51/3-68 full-hub, aluminum high-shoulder, M4	201,60 €	239,90 €
S500	6044	Spoke R25/3-R27, R50-R69S M4x140, R50/5- rear, incl. nipple	1,01 €	1,20 €
S500	38226	Spoke R50-R69S single crossed, stainless steel, M4 w/nipple	1,22 €	1,45 €
S500	21044	Spoke R50-R69S single crossed, chromed, M4x116 w/nipple	1,01 €	1,20 €
S500	1047	Spoke R25/3-R27, R50-R69S (2x crossed), R50/5-> rear, stainless steel, incl. Nipple	1,22 €	1,45 €
S500A	99100	Spoking and centering job, wheel	65,97 €	78,50 €
S500B	99101	Wheel centering (already spoked)	41,93 €	49,90 €
S501	38107	Spoke R24 rear, short, chromed, M3.5, w/nipple	1,60 €	1,90 €
S501	038105	Spoke R24 front, short, chromed, M3.5, w/nipple	1,60 €	1,90 €
S501	0038107	Spoke R24 front, short, chromed, M3.5, w/nipple	1,26 €	1,50 €
S502A	38208	Spoke R51/3-R68 alloy hub, thick end, chromed w/nipple	1,64 €	1,95 €
S502B	8044	Spoke R51/3-R68 aluminum hub, chromed, M4 w/nipple	1,01 €	1,20 €
S502C	8045	Spoke R51/3-R68 aluminum hub, stainless steel, M4 w/nipple	1,22 €	1,45 €
S502D	25044	Spoke R51/2-R68 half hub, short, M4, w/nipple	1,01 €	1,20 €
S502F	5044	Spoke R51/2-R68 half hub, short, thick end, M5 chrome plated, w/out nipple	1,93 €	2,30 €
S502G	4044	Spoke R51/2-R68 half hub, long, thick end, M5, chrome plated, w/out nipple	1,93 €	2,30 €
S504	31044	Spoke R25/3, R26"old", M3.5, chromed, w/nipple	1,64 €	1,95 €
S510A	30065	Nipple M 3.5	0,34 €	0,40 €
S510B	30070	Nipple M4	0,34 €	0,40 €
S510Bb	0030070	Nipple M4, stainless steel	0,42 €	0,50 €
S510C	30071	Nipple M5	0,67 €	0,80 €
S520	15001	Spoke adaptor	0,88 €	1,05 €
S521	97001	Tool for spokes, chrome vanadium, suitable for most nipples M3 - M3.5 - M4 - M4.5	10,84 €	12,90 €



S521	9700101	Tool for spokes, suitable for most nipples M3.5 - M4 - M4.5 - M5	9,66 €	11,50 €
S601	1040	Tube protection rubber	2,35 €	2,80 €
S602A	2040	Tire air tube 3,25/3.50-18	9,92 €	11,80 €
S602B	20402	Tire air tube 3.25/3.50/4.00-19	9,92 €	11,80 €
S602B	2020402	Tire air tube 3.25/3.50/3.75/4.00-19 Continental	19,24 €	22,90 €
S602C	20401	Tire air tube 4.00-18	11,35 €	13,50 €
S602D	20404	Tire air tube 3.00-19, 3.60-19, 90/90-19	14,92 €	17,75 €
S602E	20405	Tire air tube 3.25, 3.50-17, Michelin	15,08 €	17,95 €
S602E	2040421	Tire air tube 3.00-19	11,68 €	13,90 €
S603	99994	Tube repair set, batches+glue	3,40 €	4,05 €
S610A	232518	Tyre 3.25-18 "house-brand" block profile	44,45 €	52,90 €
S610B	233518	Tire 3.25S18 Heidenau K34	79,75 €	94,90 €
S611A	240019	Tire 3.25H19 Heidenau K34	73,95 €	88,00 €
S611C	732519	Tyre 3.25-19 "house-brand" Block profile	50,34 €	59,90 €
S612	130019	Tire 3.00-19 "house-brand" block profile	70,17 €	83,50 €
S612A	150019	Tire 3.00-19 Block C Metzeler	83,95 €	99,90 €
S612A	132519	Tire 3.50S19 Avon AM6 Speedmaster groove profile	83,99 €	99,95 €
S612B	232519	Tire 3.25S19 ME11 Metzeler	94,12 €	112,00 €
S613A	135018	Tyre 3.50-18 "house-brand", block profile	50,38 €	59,95 €
S613B	635018	Tire 3.50S18 Metzeler block c	92,35 €	109,90 €
S614B	235019	Tyre 3.50-19 "house-brand", block profile	58,74 €	69,90 €
S614C	335019	Tire 3.50-19 Avon Sidecar	92,35 €	109,90 €
S615A	335018	Tire Metzeler 3.50S18 ME77	83,95 €	99,90 €
S615B	535018	Tire Metzeler 3.50S18 ME77 front	75,55 €	89,90 €
S616A	140018	Tire 4.00-18 Block K Metzeler	109,16 €	129,90 €
S616B	640018	Tyre 4.00-18 "house-brand"	58,74 €	69,90 €
S616C	740018	Tire 4.00H18 ME Block C66 Metzeler	105,00 €	124,95 €
S616C	0112018	Tire 4.00H18 Heidenau K36	94,87 €	112,90 €
S617A	540018	Tire 4.00S18 H-06, Mitas	67,14 €	79,90 €
S617C	6440018	Tire Metzeler 4.00V18 Lasertec rear	155,38 €	184,90 €
S618	840018	Tire 4.00R18 Enduro 2 Metzeler	83,61 €	99,50 €
S618	832519	Tire 3.25H19 ME33 Laser Metzeler	117,56 €	139,90 €
S618A	140019	Tire 4.00-19 Mitas H-02	71,43 €	85,00 €



Group F: Frame, fenders, tank, seats all models 1948-1956



Picture-No.	Article-No.	Description	Net	Gross
F00	1303017	Fuel hose quick-connector, D:7,5mm	7,52 €	8,95 €
F00	1403017	Fuel hose quick-connector, D:9mm, not for BMW-oldtimer-motorcycle	7,52 €	8,95 €
F000	4634260	Foot rest, w/rubber, R51/3-69S, right (long)	25,13 €	29,90 €
F000	4634125	Foot rest, w/rubber, R51/3-69S, left (short)	22,50 €	26,78 €



F000	9024160	Crash bar R51/3-R68 "Hoskelike" stainless polished, complete with mounting parts	117,56 €	139,90 €
F001	07161	Lock ring for tool box srew	0,29 €	0,35 €
F002	28130	Center stand bushing R25-R27	4,24 €	5,05 €
F003	28116	Centre stand spring R25/2	4,54 €	5,40 €
F003A	28118	Center stand spring R25/2 (middle mount) R25/3-R27	2,98 €	3,55 €
F003B	28216	Center stand spring R51/2-R68	3,36 €	4,00 €
F003C	28103	Center stand spring R24/25	15,04 €	17,90 €
F004	28135	Center stand and swing arm bumper, kickstart lever R27	2,35 €	2,80 €
F005	63073	Gasket ring aluminium 10x14x1.5	0,17 €	0,20 €
F006	63108	O-ring for tool box lock screw	0,34 €	0,40 €
F007A	14665	Screw center stand R25-R27	1,43 €	1,70 €
F007B	28266	Center stand screw R51/2 M10x110	1,64 €	1,95 €
F007C	28262	Bolt center stand R 51/3-68, stainless, complete	10,08 €	12,00 €
F009A	4080	Center stand R25/3	99,16 €	118,00 €
F009B	1080	Center stand R51/2-68, narrow	92,31 €	109,85 €
F009Ba	0006604	Center stand R51/2-68, wide	96,60 €	114,95 €
F009C	28004	Center stand R25	92,31 €	109,85 €
F009D	28010	Center stand R25/2 (sidewise spring)	96,60 €	114,95 €
F009DA	28011	Center stand R25/2 (middle spring)	92,31 €	109,85 €
F010	44003	Link, foot brake pedal, R 25-/3, used	5,04 €	6,00 €
F010B	44250	Link, foot brake pedal, R 51/2-68	15,04 €	17,90 €
F011	44125	Spring, foot brake pedal, R 25-/3	7,52 €	8,95 €
F011A	44218	Spring, foot brake pedal, R 51/2-68	6,39 €	7,60 €
F012A	40395	Brake rod bolt 8mm, R26-69S, stainless steel	4,35 €	5,18 €
F012B	34961	Brake rod bolt with lock spring 6x12mm	2,44 €	2,90 €
F012C	044129	Brake rod bolt, 8mm, R25-/3,51/3, stainless	4,96 €	5,90 €
F012C	36226	Split pin, cined	0,13 €	0,15 €
F012Ca	44136	Split pin for brake rod, stainless steel	0,13 €	0,15 €
F013	44133	Brake rod ring, vaulted, stainless steel	3,83 €	4,56 €
F014a	4044115	Brake rod wing nut, "stainless" chromeplated	10,84 €	12,90 €
F015	44138	Brake rod spring, stainless steel	3,49 €	4,15 €
F016	38133	Grease port M6 (fine thread)	2,44 €	2,90 €
F017A	44230	Brake rod bolt 14mm, stainless steel	3,07 €	3,65 €
F017B	44231	Brakerod bolt with angle metal for brakeswitch	8,32 €	9,90 €
F018	44027	Bolt, foot brake pedal, R 51/2-68	12,90 €	15,35 €
F018A	4044026	Foot brake pedal, R 51/2-R 68	83,95 €	99,90 €
F018D	98420	Washer B 10,5	0,08 €	0,10 €
F018DA	98421	Washer B 10,5 stainless	0,17 €	0,20 €
F019A	45090	Brake rod head, round, 8mm, stainless	9,71 €	11,55 €
F019B	44137	Brake rod head, square-shape, 6mm, stainless	14,83 €	17,65 €
F019D	44123	Brake rod, complete, R 25-/2, stainless	41,60 €	49,50 €
F019E	44124	Brake rod, complete, R 25/3, stainless	41,60 €	49,50 €
F019F	44220	Brake rod, complete, R 51/2-68, stainless	47,48 €	56,50 €
F019G	45115	Brake light switch operator R 25/3	3,53 €	4,20 €
F020A	33366	Fuel line adaptor	1,93 €	2,30 €
F020AA	99880	Fuel line adaptor (single) Frankfurter Modell	6,39 €	7,60 €
F020B	84178	Pet cock hose connection	5,21 €	6,20 €
F020BA	99881	Fuel line adaptor (double) for Karkoma	7,52 €	8,95 €
F020C	33368	Pet cock sieve hose connector	0,97 €	1,15 €
F021A	84169	Pet cock nut, left/right threat	1,51 €	1,80 €
F021B	33369	Pet cock nut, lower, for Karkoma	1,01 €	1,20 €
F021C	99940	Pet cock threat (weld-in tank) R25, R25/2	10,00 €	11,90 €
F022A	84120	Pet cock nut M16x1 left, M20x1 right R25/3-69S	2,77 €	3,30 €
F022B	84121	Pet cock nut M16x1, R25,R25/2	1,48 €	1,76 €
F022B	99908	Pet cock sieve in tank 9,3x60x100	2,14 €	2,55 €
F022C	40060	Petcock gasket, tank R25/3-R69S, R50/5-90S	0,63 €	0,75 €
F023A	84030	Pet cock R51/3-69S, standard	30,67 €	36,50 €
F023B	80004	Pet cock R25-25/2 small threat	23,11 €	27,50 €
F023C	80008	Pet cock R25/3-27, /5-R100	28,53 €	33,95 €
F023D	80001	Pet cock for srew-in-mount	23,11 €	27,50 €
F023E	40512	Pet cock gasket (Kork) for Kakoma-petcock	1,39 €	1,65 €
F023F	78070	Pet cock R 35 1/4 inch	33,53 €	39,90 €
F023F	08001	Pet cock R 24 "srew-in" with drain-pool	32,35 €	38,50 €
F023G	08004	Pet cock R25-/2, small thread with drain-pool	32,52 €	38,70 €
F023H	84031	Pet cock R51/3-69S with drain-pool	36,89 €	43,90 €
F023I	84025	Pet cock R51/2, "srew-in"	33,53 €	39,90 €



F023i	1240512	Cork gasket for original Everbests, cylindrical	8,82 €	10,50 €
F023J	08008	Pet cock R25/3-27, /5-R100 with drain-pool	36,89 €	43,90 €
F023K	12314	Inline fuel cock for 6mm hose	20,97 €	24,95 €
F024A	12001	Tank-emblem mount rubber	1,51 €	1,80 €
F024B	99012	Badge collar stainless, polished	13,40 €	15,95 €
F027	1038	Emblem screw, stainless	0,34 €	0,40 €
F027a	9910381	Emblem screw, stainless, cross-slot	0,38 €	0,45 €
F028	800021	Knee pad holder, left, R25/3 (weld on)	10,80 €	12,85 €
F028	800022	Knee pad holder, right R25/3 (weld on)	10,80 €	12,85 €
F028A	8014525	Knee-pad holder R 25-68 (weld on)	10,80 €	12,85 €
F028B	80145	Knee-pad holder set of two (lh/rh) R25-R25/2, R51/3-R68	21,01 €	25,00 €
F029A	79116	Knee pad R20, 23, 24 (set)	43,61 €	51,90 €
F029B	80184	Knee pad R25-/2, R51/3-68	14,83 €	17,65 €
F029C	80185	Knee pad R25/3 LH	17,23 €	20,50 €
F029D	80186	Knee pad R25/3 RH	17,23 €	20,50 €
F029E	80250	Knee pad R51/2 (set) + R51-R71, R75 pre war	33,61 €	40,00 €
F029F	6009	Knee pad set l/r, Hoske tank	50,34 €	59,90 €
F030	14050	Fuel tank holder srew, rear, R 25/2-69S	0,59 €	0,70 €
F031	3008	Tank holder rubber, rear, R 25/2-69S	0,88 €	1,05 €
F033	80178	Tank spacer bushing R25/3	3,53 €	4,20 €
F034A	80137	Fuel tank holder rubber, R25/3-27, front	1,85 €	2,20 €
F034B	14089	Fuel tank holder screw R25/3, front	1,01 €	1,20 €
F034C	14005	Fuel tank holder screw R51/3-68, front	0,42 €	0,50 €
F035	3053	Fuel tank cap gasket, R24-69S	1,51 €	1,80 €
F036	80038	Fuel tank R51/3-68, special 24L, new painted and stipped	746,22 €	888,00 €
F036A	035288	Fuel tank R51/3-68, crude	495,80 €	590,00 €
F036A	80003	Fuel tank R24, R25 new painted and stripped	605,04 €	720,00 €
F036B	35288	Fuel tank R51/3-68, crude, original BMW, new	768,91 €	915,00 €
F036B	61030	Fuel tank R25/2 painted	672,23 €	799,95 €
F036C	35289	Fuel tank R51/3-68, original BMW, new, painted and stripped	1.050,00 €	1.249,50 €
F036C	58030	Fuel tank R25/3, new painted and striped	630,25 €	750,00 €
F036C	0058030	Fuel tank R 25/3 raw, unpainted	383,61 €	456,50 €
F036CC	0035285	Fuel tank R25/3, new, for lugage rack use, painted and stripped	630,25 €	750,00 €
F036D	035289	Fuel tank R51/3-R68, painted	746,22 €	888,00 €
F037A	80166	Tool box cover R25/3, new with knee pad holder	54,54 €	64,90 €
F037B	31298	Tool box cover R25/2-27, R51/3-68 opens lengthways	40,97 €	48,75 €
F037BA	80168	Toolbox cover R25, R51/2-R68 opens sideways	61,26 €	72,90 €
F037C	80188	Tool box gasket, R25-/2, 26/27, 51/2-68, /5-100	5,00 €	5,95 €
F037CA	80288	Tool box gasket R50-69S, R25/3	2,48 €	2,95 €
F037D	5076	Tool box lock R25/3, R50-69S	29,16 €	34,70 €
F037E	41016	Tool box key	3,78 €	4,50 €
F037G	80191	Rubber bumper for tool box R25/3	1,85 €	2,20 €
F037H	47463	Tool box cover bolt R25/3, R50-R69S	2,48 €	2,95 €
F037I	4080176	Tool box cover bolt R24-R25/2, R26/27, short, stainless steel	3,36 €	4,00 €
F038	1053	Fuel tank cap, lockable, stainless, R25-69S w / lock cover	14,33 €	17,05 €
F038A	1001053	Fuel tank cap, lockable, stainless, R25-69S w/o. lock cover	14,24 €	16,95 €
F038B	80126	Fuel tank cap, aluminum, R24-69S	12,23 €	14,55 €
F038C	1180126	Fuel tank cap, chrome pl., R24-69S	12,23 €	14,55 €
F042	80138	Muffler mount rubber, R25/3, R26	1,85 €	2,20 €
F043	90130	Muffler mount spacer bushing R25/3	3,36 €	4,00 €
F051A	42109	Battery support 6V8-12 AH, foam rubber R 24-68	2,14 €	2,55 €
F051B	42211	Battery support 6V16Ah, foam rubber, R 50-69S	2,98 €	3,55 €
F052A	42121	Battery carrier R24-R25/3, black, powdercoated	33,61 €	40,00 €
F053A	30016	Battery strap R 24-25/3, R50-69S, 240mm	4,87 €	5,80 €
F053B	32016	Battery strap R51/2-68, 53-> rubber, 270mm lang	4,87 €	5,80 €
F053C	29016	Battery strap R51/3 ->53 rubber, 350mm long	4,87 €	5,80 €
F057A	02125	3-piece seat mounting bolt R25/2, R51/3-R68->09/53 , stainless steel	18,40 €	21,90 €
F057B	92141	Silent block seat carrier R50, 51/3 54model	9,20 €	10,95 €
F061	22093	Nut M 8x1 , cinked	0,25 €	0,30 €
F064	14050	Fuel tank holder srew, rear, R 25/2-69S	0,59 €	0,70 €
F069A	021020	Seat suspension spring R25/2-R27, R51-R68	15,21 €	18,10 €
F069B	02102	Drivers seat spring unit R25/2-R27, R51-R68	53,36 €	63,50 €
F069C	02109	Seat spring R25, chrome plated	21,47 €	25,55 €
F070	9906042	Seat top Blitz, rubber only	41,18 €	49,00 €
F070	9996042	Seat top Blitz with inner frame	74,71 €	88,90 €
F070A	7002010	Seat top R24 Drilasic w/o frame	117,56 €	139,90 €



F070AA	02009	Driver's seat R25/2-68, 26/27, complete, Pagusa	157,90 €	187,90 €
F070AA	0200942	Driver's seat R25/2-68, 26/27, complete, BLITZ	142,86 €	170,00 €
F070AB	02179	Driver's seat R25/2-68, 26/27, complete, Denfeld	180,67 €	215,00 €
F070BA	02005	Driver's seat R25 complete, Denfeld	163,86 €	194,99 €
F070BB	02006	Driver's seat R25 complete, Pagusa	151,18 €	179,90 €
F070BC	0200601	Driver's seat R25 complete, Blitz	142,86 €	170,00 €
F070C	02011	Seat top Denfeld with inner frame	96,22 €	114,50 €
F070D	02012	Seat top Pagusa with inner frame	80,59 €	95,90 €
F070E	1003	Seat top Denfeld, rubber only	62,52 €	74,40 €
F070EA	91003	Seat top Denfeld, white, w/out frame	75,55 €	89,90 €
F070F	10030	Seat top Pagusa, rubber only	46,18 €	54,95 €
F071A	02116	Seat carrier R25/2-R27, R51/2-R68 (driver)	53,70 €	63,90 €
F071B	02117	Seat carrier R25 (driver)	75,21 €	89,50 €
F071C	36205	Seat adaptor (2 holes)	5,55 €	6,60 €
F072	34153	Foot rest driver R25-R27, passenger R25-R27, R50-R69S	13,53 €	16,10 €
F073A	34107	Foot rest rubber R25-75/5, (stiff/round)	5,00 €	5,95 €
F073B	10007	Foot rest rubber, passenger (oval)	5,00 €	5,95 €
F074A	39030	Upper engine axle R25-/2, w/nut, stainless steel	7,48 €	8,90 €
F074B	39032	Upper engine axle R25/3, R26 steel, zink plated	14,20 €	16,90 €
F074C	34216	Engine mounting axle, front, R51/3-69S stainless steel	10,04 €	11,95 €
F075	34170	Upper bushing engine mount R25/3, R26	3,28 €	3,90 €
F076	34166	Upper engine mounting rubber R25/3, R26	2,45 €	2,92 €
F078	34119	Lower engine mounting rubber R25/3, R26	3,32 €	3,95 €
F079A	01109	Engine mount bushing, lower, R25/3, R26	8,36 €	9,95 €
F080A	34113	Lower engine axle R25, R26 w/nuts, zp.	9,96 €	11,85 €
F080B	34210	Engine mounting axle, rear, R51/3-69S	9,20 €	10,95 €
F081	2037	ID plate BMW R25-69S	3,36 €	4,00 €
F081a	4034139	ID plate BMW R25/2	11,68 €	13,90 €
F081b	4034140	ID plate BMW R25/3	11,68 €	13,90 €
F081c	4034240	ID plate BMW R51/3	11,68 €	13,90 €
F081d	4034241	ID plate BMW R67,R67/2,R67/3	11,68 €	13,90 €
F081e	4034244	ID plate BMW R68	11,68 €	13,90 €
F082a	9916604	Screw for I.D. plate, stainless steel	2,94 €	3,50 €
F083B	98377	Nut (flat) M12x1,5, stainless	2,10 €	2,50 €
F084A	22122	Nut M10x1, cinced	0,34 €	0,40 €
F085B	25116	Kick start bumper R25/3, also R24-R26	7,35 €	8,75 €
F085B	26016	Kick start bumper, R51/3-69S	8,19 €	9,75 €
F086A	98376	Nut M12x1,75 cincked	0,55 €	0,65 €
F086B	98372	Nut M12x1,75 self-locking, cincked	0,63 €	0,75 €
F086C	98380	Nut M12x1,75 stainless steel	1,81 €	2,15 €
F100	34150	Foot rest, passenger, flip-up, oval-shape, 25-69S	21,85 €	26,00 €
F100A	0034261	Foot rest holder, for flip-ups, 10,3mm-Hole (R24-R27, R50-R69S)	6,64 €	7,90 €
F100B	0034262	Foot rest holder, for flip-ups, 12,5mm-Hole	6,64 €	7,90 €
F100C	1034262	Foot rest holder, long, finely toothe, 12,5mm-Hole	6,64 €	7,90 €
F101	13222	Screw for fender bow, stainless steel/polished	2,23 €	2,65 €
F102A	34022	Dual seat R25-69S, original Denfeld	336,05 €	399,90 €
F102B	34021	Dual seat R25-69S	197,44 €	234,95 €
F102C	02007	Seat pad "Denfeld" rear, R24-69S	273,07 €	324,95 €
F102D	0200701	Seat mounting kit, Denfeld on fender	17,65 €	21,00 €
F102D	7002007	Seat pad "Denfeld-form" rear, R24-69S. only for mouting direct on fender !	125,97 €	149,90 €
F102E	0200702	Seat mounting kit, Denfeld on rear rack	18,49 €	22,00 €
F103	13463	Dual seat holder bracket R50-69S, lateral	8,19 €	9,75 €
F104	13457	Dual seat holder bracket, R50-69S, front (Z-shape)	10,00 €	11,90 €
F104	9034117	Dual seat holder bracket, R26/27, front, R24-R68	10,00 €	11,90 €
F106	96152	Cap nut for rear fender, cinced	2,52 €	3,00 €
F107	90240	Side stand "Akup", fit to footrest, R 25-69S	79,79 €	94,95 €
F107a	2404551	Side stand R51/3-R68, stainless steel	109,20 €	129,95 €
F107b	25013	Sidestand R25-R25/3	82,35 €	98,00 €
F107c	0024040	Sidestand R26	82,35 €	98,00 €
F200	99993	Fuel-filter, stick-in-hose, universal	2,35 €	2,80 €
F201A	3017	Fuel hose, oldtime-look	3,57 €	4,25 €
F201A	3017713	Fuel hose, rubber-look	5,46 €	6,50 €
F202A	1050	Tire air pump R24-69S, black	15,42 €	18,35 €
F202B	90172	Air pump dust cap	0,50 €	0,60 €
F202D	90176	Air pump rubber gasket	0,84 €	1,00 €
F202E	90170	Air pump valve breather (3 holes)	0,67 €	0,80 €



F202F	90174	Air pump valve rubber	0,42 €	0,50 €
F202G	10501	Tire air pump R24-69S, silver painted	15,42 €	18,35 €
F202H	0010502	Tire air pump R24-69S, chrom	21,43 €	25,50 €
F205	96216	Folding luggage rack R24-R69S, original shape	79,83 €	95,00 €
F206A	96101	Luggage rack R24	109,16 €	129,90 €
F206B	96103	Luggage rack R25	79,75 €	94,90 €
F206D	96100	Luggage rack R25/3	79,75 €	94,90 €
F206E	96210	Luggage rack R25/2, R51/2-68	79,75 €	94,90 €
F207	14005	Fuel tank holder screw R51/3-68, front	0,42 €	0,50 €
F208A	35297	Fender, rear, R51/2-68, crude, original	500,00 €	595,00 €
F208A	89050	Fender R25/3, rear, crude	378,15 €	450,00 €
F208B	35298	Fender, rear, R51/2-68, painted, original	747,90 €	890,00 €
F208b	89040	Fender R25/3, rear, painted	516,38 €	614,49 €
F208b	90029	Fender R25/2, rear, painted	411,68 €	489,90 €
F208C	96018	Fender, rear, R51/2-68, crude	378,15 €	450,00 €
F208C	0035293	Fender rear, R25/3, crude, original BMW	504,12 €	599,90 €
F208D	96038	Fender, rear, R51/2-68, painted	516,72 €	614,90 €
F209A	35305	Fender, front, R51/3-67/3, crude, original	336,09 €	399,95 €
F209A	90030	Fender, front, R25, painted	353,45 €	420,61 €
F209B	71030	Fender, front, R51/2-67/3, crude	260,42 €	309,90 €
F209C	71031	Fender, front, R51/3-67/3, painted	366,38 €	435,99 €
F209D	0035301	Fender, front, R25/3, crude, original	357,14 €	425,00 €
F209D	35306	Fender, front, R51/3-67/3, painted, original	494,96 €	589,00 €
F209E	0035302	Fender, front, R25/3, painted, original	470,55 €	559,95 €
F209E	0000765	Fender, front, R 68, crude, original	243,61 €	289,90 €
F209F	5090030	Fender, front, R68, painted, original	353,45 €	420,61 €
F209F	35302	Fender, front, R25/3, painted	353,11 €	420,20 €
F209F	90028	Fender, front, R25/2, painted	353,78 €	421,00 €
F210A	30035	Fender brace, 18 inch	19,45 €	23,15 €
F210AA	32035	Fender brace 25/3, chrome-plated	19,45 €	23,15 €
F210AB	320351	Fender brace 25/3, black	19,45 €	23,15 €
F210B	31035	Fender brace 19 inch	19,45 €	23,15 €
F210BA	310351	Fender brace 19 inch, black	19,45 €	23,15 €
F210C	28038	Fender stand R51/3-68	51,68 €	61,50 €
F210D	90108	Fender brace, middle, R 25/2-/3	51,68 €	61,50 €
F210E	96261	Fender brace R68 front, middle, black (fits also at R51/3-R67/3)	46,22 €	55,00 €
F211A	9008	Rubber plug for fender holes, 7mm	0,42 €	0,50 €
F211B	96154	Rubber plug for fender holes, 8mm	0,50 €	0,60 €
F211C	96260	Fender brace rear, R51/2-68, sportstype, chrome	62,98 €	74,95 €
F212	96195	License plate support, "small", 25-25/3 plastic-coated	15,25 €	18,15 €
F212A	96178	License plate support, "big" 26-69S plastic-coated	12,03 €	14,32 €
F212B	0000965	License-plate support, flat, military-style, black	15,25 €	18,15 €
F221A	317025	Fork lock R25/3-R100	9,92 €	11,80 €
F221B	1025	Fork lock R25, R25/2, R51/2-R68	16,30 €	19,40 €
F221C	16009	Fork and toolbox lock assembly R25/3, R50-69S	42,52 €	50,60 €
F222	2025	Steering lock cover --> /5	2,35 €	2,80 €
F222B	92025	Pin, steering-lock cover and stepshield 27	0,42 €	0,50 €
F223	32019	Steering lock washer	0,26 €	0,31 €
F224	16104	Steering lock spring	0,42 €	0,50 €
F300A	8003	Passenger's seat grab handle Denfeld	39,45 €	46,95 €
F300B	8004	Passenger's seat grab handle, Denfeld-like	27,65 €	32,90 €
F300C	1058	Passenger's seat grab handle Pagusa	35,80 €	42,60 €
F300D	1057	Passenger*s seat grab handle, Pagusa-like	29,33 €	34,90 €
F301A	35015	Passenger seat Pagusa (mounted on rack)	148,32 €	176,50 €
F301B	34015	Passenger seat Denfeld (mounted on rack)	189,07 €	224,99 €
F301C	97302	Spring-assembly, Pagusa rear-seat	34,87 €	41,50 €
F302A	35017	Passenger seat Denfeld (mounted on fender)	189,07 €	224,99 €
F302B	34017	Passenger seat Pagusa (mounted on fender)	147,02 €	174,95 €
F303	34115	Spring set for passenger seat (two springs), open	31,05 €	36,95 €
F303A	3411500	Spring set for passenger seat (two springs) Denfeld closed	30,42 €	36,20 €
F304	9058	Seat top Pagusa with front latch, w/out frame	49,54 €	58,95 €
F305	99013	Emblem "Uli's Motorradladen"	0,00 €	0,00 €
F305a	36625	Pin for emblem "Uli's"	0,00 €	0,00 €
F360	1052	Headlight chrome guard R24-R75/5	16,72 €	19,90 €
F371	80165	Tool box screw	2,77 €	3,30 €
F481	6003	Dual seat cover R24-69S	42,86 €	51,00 €

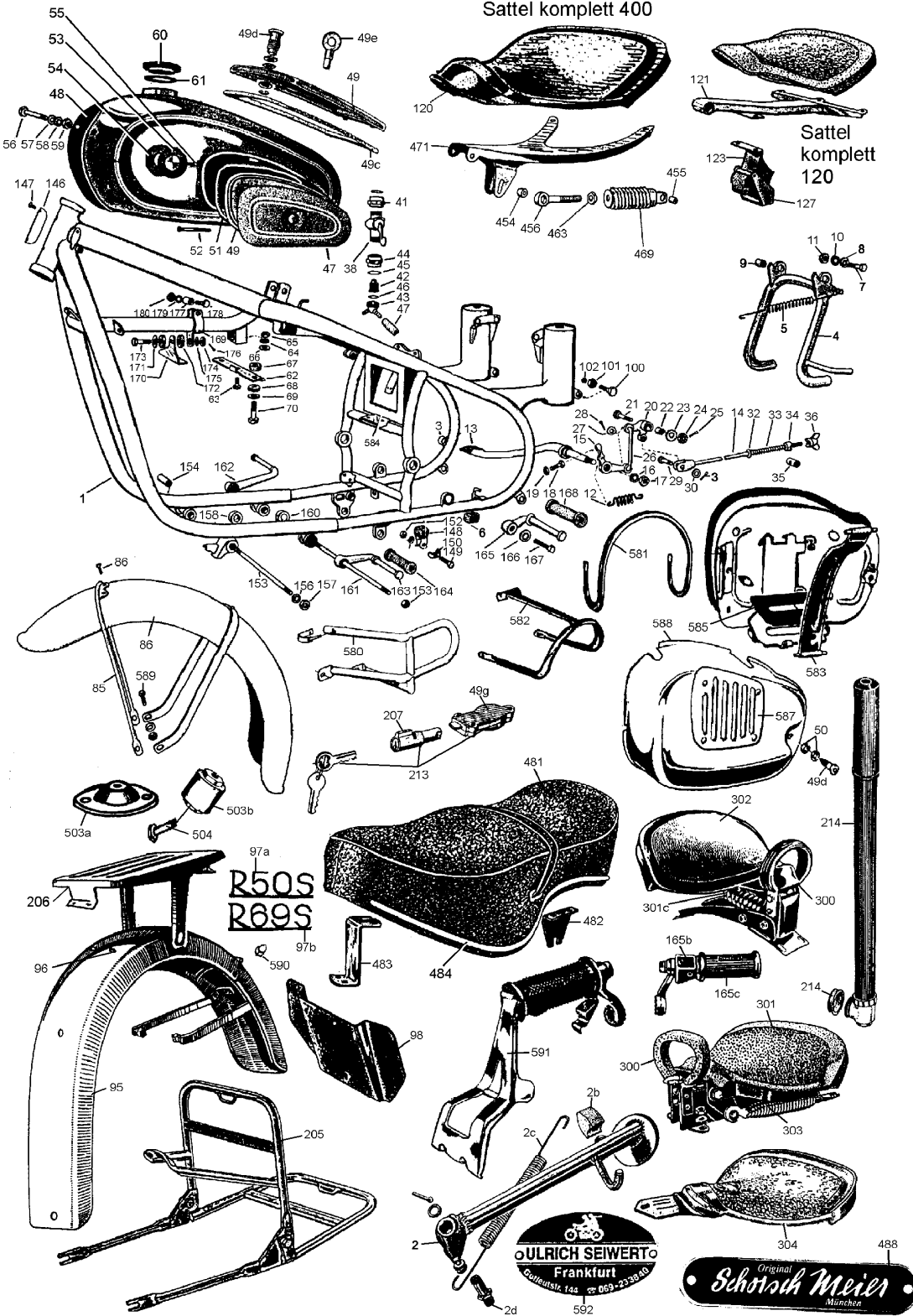


F481	0006003	Dual seat cover large R24-69S US-version	41,93 €	49,90 €
F484	34676	Dual-seat trim-set, R25-R69S incl. screws and nuts	25,17 €	29,95 €
F485	922016	dual-seat trim holder nut	0,08 €	0,10 €
F486	31319	Seat-trim srew /5	0,97 €	1,15 €
F487	31015	Washer, seat-trim screw.	0,08 €	0,10 €
F488	33552	'Schorsch Meier' seat emblem	6,39 €	7,60 €
F490	02030	Co-driver's seat R68-R69, leather, swinger-type	294,03 €	349,90 €
F490a	02031	Co-driver's seat, "Schorsch-Meier" (luggage-rack)	184,79 €	219,90 €
F490b	02032	Seat mounting kit, "Schorsch Meier" on fender	12,56 €	14,95 €
F491	96032	Swinger seat holder set R68, rear, stainless	71,43 €	85,00 €
F492	96031	Swinger seat holder set R68-69, front, stainless	30,25 €	36,00 €
F493	96033	Swinger seat holder set R69, rear, stainless	71,43 €	85,00 €
F590B	99007	Cap nut M8 stainless	1,30 €	1,55 €
F590C	96122	Nut for rear fender brace R26-R69S and R51/3-R68 upper engine mount	2,48 €	2,95 €



Group J: Frame, fender, tank, seat for all models 1955-1969

Sattel komplett 400



Picture-No.	Article-No.	Description	Net	Gross
J00	1303017	Fuel hose quick-connector, D:7,5mm	7,52 €	8,95 €
J00	1403017	Fuel hose quick-connector, D:9mm, not for BMW-oldtimer-motorcycle	7,52 €	8,95 €
J000	4634260	Foot rest, w/rubber, R51/3-69S, right (long)	25,13 €	29,90 €
J000	4654202	Leather bag RH R26-69S oblique (sloping) R50/5-R75/5	210,00 €	249,90 €
J000	1237758	Leather bag carrier set, R50-R69S, black	83,95 €	99,90 €
J000	1238511	Leather bag with frame R26-R69S, R50/5-R75/5	201,60 €	239,90 €
J000	4634125	Foot rest, w/rubber, R51/3-69S, left (short)	22,50 €	26,78 €
J000	962601	Fender brace rear, R50-69S, sportstype, chrome	51,68 €	61,50 €
J000	4654201	Leather bag LH R26-69S oblique (sloping) R50/5-R75/5	210,00 €	249,90 €
j000	4084110	Gasket ring for fuelcock Everbest-shape R25/3-R27, R50/5-R75/5	1,26 €	1,50 €
J000	99521	Leather bag nature, military/police style	151,18 €	179,90 €
J000	00986	Weld-in repair part for stand rh R50-R69S	54,58 €	64,95 €



J000	00987	Weld-in repair part for stand lh R50-R69S	46,09 €	54,85 €
J000	9952101	Sidebag military-style, leather, dark brown	134,37 €	159,90 €
J000	9988777	Sidebag military-style, leather, black, limited old stock	117,56 €	139,90 €
J000	9988666	Sidebag military-style, leather, black, limited old stock, 3-point universal-mounting	117,56 €	139,90 €
J000	9952102	Sidebag military-style, leather, black, waterproof	134,37 €	159,90 €
J000	0003683	Leather bag carrier set, R26/27, black	83,95 €	99,90 €
J000	0003920	Leather bag fixing screw	6,68 €	7,95 €
J002	9024174	Side stand spring R27 stainless	5,00 €	5,95 €
J002A	24013	Side stand R50-69S black without mounting parts	67,14 €	79,90 €
J002A	0024013	side stand spring strap R50-69S	9,44 €	11,23 €
J002B	24170	Side stand stop R50-69S	3,32 €	3,95 €
J002c	0021119	Lock ring side stand R50-R69S	0,55 €	0,65 €
J002D	24173	Side stand spring R50-69S	3,78 €	4,50 €
J002D	24174	Side stand spring R50-69S, stainless steel	6,64 €	7,90 €
J002E	30002	Side stand bolt R50-69S, M12	13,40 €	15,95 €
J002F	30001	Side stand bolt,R50-69S M14	13,40 €	15,95 €
J002F	1230001	Side stand bolt,R50-69S M14 automatic flip-up version	16,72 €	19,90 €
J002J	24045	Side stand R27, stainless steel	109,20 €	129,95 €
J003	99900	Weld-on ball for sidecar mount, R25, R26, R27	15,08 €	17,95 €
J003	99901	Weld-on ball for sidecar mount R51/2-R69S	16,38 €	19,49 €
J003B	14047	Sidecar con.-bolt, R 25 frame lower, srew-in	15,04 €	17,90 €
J004A	2080	Center stand R50-R69S	99,16 €	118,00 €
J004B	3080	Centre stand R26/27	99,16 €	118,00 €
J005A	28218	Centre stand spring R50-R69S	2,94 €	3,50 €
J005B	28118	Center stand spring R25/2 (middle mount) R25/3-R27	2,98 €	3,55 €
J006	28135	Center stand and swing arm bumper, kickstart lever R27	2,35 €	2,80 €
J007	14665	Screw center stand R25-R27	1,43 €	1,70 €
J007B	12620	Center stand bolt R50-R69S	0,50 €	0,60 €
J009A	28130	Center stand bushing R25-R27	4,24 €	5,05 €
J009B	28230	Center stand bushing R50-R69S	4,24 €	5,05 €
J012A	44127	Spring, foot brake pedal, R 26-27	8,32 €	9,90 €
J012B	44215	Spring, foot brake pedal, R 50-69S	2,69 €	3,20 €
J013A	44151	Foot brake pedal, all 1-cylinder, used	25,13 €	29,90 €
J013B	44033	Bolt, foot brake pedal, R 50-69S	36,05 €	42,90 €
J013C	44031	Foot brake pedal, R 50-69S	83,95 €	99,90 €
J013D	44032	Foot brake pedal, R 50-69S, used	50,42 €	60,00 €
J014a	44229	Brake rod R50-R69S, stainless steel, naked	19,66 €	23,40 €
J014B	44225	Brake rod, complete, R 50-69S, stainless	41,60 €	49,50 €
J014D	44159	Brake rod, complete, R 26-27, stainless	41,60 €	49,50 €
J015	44234	Brake rod redirection R50-R69S	29,83 €	35,50 €
J018	98155	Screw M6x16 hexagon	0,13 €	0,15 €
J020	044226	Rear brake angle lever R50-69S	29,41 €	35,00 €
J021	98207	Screw M8x45 hexagon	0,25 €	0,30 €
J022	044266	Bushing brake-angle R 50-69S	2,77 €	3,30 €
J024	23421	Castle nut M8	0,97 €	1,15 €
J026	44262	Brake pusher-rod R50-69S	11,18 €	13,30 €
J029A	40395	Brake rod bolt 8mm, R26-69S, stainless steel	4,35 €	5,18 €
J029B	34961	Brake rod bolt with lock spring 6x12mm	2,44 €	2,90 €
J030A	45090	Brake rod head, round, 8mm, stainless	9,71 €	11,55 €
J030B	44137	Brake rod head, square-shape, 6mm, stainless	14,83 €	17,65 €
J031	36226	Split pin, cined	0,13 €	0,15 €
J031a	44136	Split pin for brake rod, stainless steel	0,13 €	0,15 €
J033	44138	Brake rod spring, stainless steel	3,49 €	4,15 €
J034	44133	Brake rod ring, vaulted, stainless steel	3,83 €	4,56 €
J035	44230	Brake rod bolt 14mm, stainless steel	3,07 €	3,65 €
J036a	4044115	Brake rod wing nut, "stainless" chromeplated	10,84 €	12,90 €
J037	3017	Fuel hose, oldtime-look	3,57 €	4,25 €
J037	3017713	Fuel hose, rubber-look	5,46 €	6,50 €
J038A	84030	Pet cock R51/3-69S, standard	30,67 €	36,50 €
J038B	80008	Pet cock R25/3-27, /5-R100	28,53 €	33,95 €
J038D	84031	Pet cock R51/3-69S with drain-pool	36,89 €	43,90 €
J038E	08008	Pet cock R25/3-27, /5-R100 with drain-pool	36,89 €	43,90 €
J038F	12314	Inline fuel cock for 6mm hose	20,97 €	24,95 €
J039	40512	Pet cock gasket (Kork) for Kakoma-petcock	1,39 €	1,65 €
J041	84120	Pet cock nut M16x1 left, M20x1 right R25/3-69S	2,77 €	3,30 €
J041A	40060	Petcock gasket, tank R25/3-R69S, R50/5-90S	0,63 €	0,75 €



J042A	33368	Pet cock sieve hose connector	0,97 €	1,15 €
J042B	99908	Pet cock sieve in tank 9,3x60x100	2,14 €	2,55 €
J042C	80005	Pet cock spring R25-69S	0,56 €	0,67 €
J043A	33366	Fuel line adaptor	1,93 €	2,30 €
J043AA	99880	Fuel line adaptor (single) Frankfurter Modell	6,39 €	7,60 €
J043B	84178	Pet cock hose connection	5,21 €	6,20 €
J043BA	99881	Fuel line adaptor (double) for Karkoma	7,52 €	8,95 €
J044A	84169	Pet cock nut, left/right threat	1,51 €	1,80 €
J044B	33369	Pet cock nut, lower, for Karkoma	1,01 €	1,20 €
J047	6009	Knee pad set l/r, Hoske tank	50,34 €	59,90 €
J047A	80187	Knee pad R26/27, R50-69S RH	17,23 €	20,50 €
J047B	4080183	Knee pad set R26/27	32,06 €	38,15 €
J047C	80183	Knee pad R26/27 LH	17,23 €	20,50 €
J047E	1088	Knee pad "Georg Meier", (select left or right)	23,49 €	27,95 €
J047F	80189	Knee pad R50-69S LH	18,07 €	21,50 €
J047G	80141	Knee pad holder R 26-69S, left (weld on)	10,29 €	12,25 €
J047G	80140	Knee pad holder R 26-69S, right (weld on)	10,29 €	12,25 €
J047H	1088007	Knee pad holder "Georg Meier" right (weld-on)	20,13 €	23,95 €
J047H	1088008	Knee pad holder "Georg Meier" left (weld-on)	20,13 €	23,95 €
J048A	0035286	Fuel tank R26/27, original BMW, new, only primed	735,00 €	874,65 €
J048AA	0035287	Fuel tank R26/27, original BMW, new, painted and stripped	973,95 €	1.159,00 €
J048B	45241	Fuel tank R26/27 new painted and stripped	586,22 €	697,60 €
J048C	59030	Fuel tank R50-69S, painted	629,33 €	748,90 €
J048D	51001	Fuel tank R50-69S, original BMW, new, 24L painted and stripped, "Schorsch Meier"	995,00 €	1.184,05 €
J048E	49030	Fuel tank R51/3-R68, "Schorsch Meier", painted	920,17 €	1.095,00 €
J048F	0035292	Fuel tank R50-R69S "Schorsch Meier", unpainted. New original part	752,10 €	895,00 €
J049A	80270	Toolbox cover R50-69S	54,54 €	64,90 €
J049B	31298	Tool box cover R25/2-27, R51/3-68 opens lengthways	40,97 €	48,75 €
J049C	80188	Tool box gasket, R25-/2, 26/27, 51/2-68, /5-100	5,00 €	5,95 €
J049CA	80288	Tool box gasket R50-69S, R25/3	2,48 €	2,95 €
J049D	80165	Tool box screw	2,77 €	3,30 €
J049E	41016	Tool box key	3,78 €	4,50 €
J049G	5076	Tool box lock R25/3, R50-69S	29,16 €	34,70 €
J050A	4034156	Kickstart bumper mounting spacer	1,99 €	2,37 €
J050A	63073	Gasket ring aluminium 10x14x1.5	0,17 €	0,20 €
J050B	63108	O-ring for tool box lock screw	0,34 €	0,40 €
J050C	07161	Lock ring for tool box screw	0,29 €	0,35 €
J052	47463	Tool box cover bolt R25/3, R50-R69S	2,48 €	2,95 €
J052A	4080176	Tool box cover bolt R24-R25/2, R26/27, short, stainless steel	3,36 €	4,00 €
J054A	12001	Tank-emblem mount rubber	1,51 €	1,80 €
J054B	99012	Badge collar stainless, polished	13,40 €	15,95 €
J055	1038	Emblem screw, stainless	0,34 €	0,40 €
J055a	9910381	Emblem screw, stainless, cross-slot	0,38 €	0,45 €
J056A	14093	Fuel tank holder screw R50-69S, front	1,47 €	1,75 €
J056B	98210	Screw M8x110 hexagon	0,97 €	1,15 €
J056C	80136	Spacer tube R26, R27 tank screw	3,53 €	4,20 €
J057	80137	Fuel tank holder rubber, R25/3-27, front	1,85 €	2,20 €
J060A	1053	Fuel tank cap, lockable, stainless, R25-69S w / lock cover	14,33 €	17,05 €
J060B	80126	Fuel tank cap, aluminum, R24-69S	12,23 €	14,55 €
J060C	1180126	Fuel tank cap, chrome pl., R24-69S	12,23 €	14,55 €
J060C	1001053	Fuel tank cap, lockable, stainless, R25-69S w/o. lock cover	14,24 €	16,95 €
J061	3053	Fuel tank cap gasket, R24-69S	1,51 €	1,80 €
J062b	80194	Fuel tank holder, rear, R26-R69S	9,16 €	10,90 €
J067	3008	Tank holder rubber, rear, R 25/2-69S	0,88 €	1,05 €
J068c	0035307	Fender, front, R50-69S, unpainted, original	281,93 €	335,50 €
J070	14050	Fuel tank holder screw, rear, R 25/2-69S	0,59 €	0,70 €
J084A	0035303	Fender, front, R 26/27, primed, original BMW	300,50 €	357,60 €
J085	30035	Fender brace, 18 inch	19,45 €	23,15 €
J085A	5090150	Fender brace R50-R69S front, middle, only for "US-Version" !	108,40 €	129,00 €
J085B	0035304	Fender, front, R 26/27, painted, original	469,75 €	559,00 €
J086	13222	Screw for fender bow, stainless steel/polished	2,23 €	2,65 €
J086A	13220	Fender, front, R 26-69S, painted	250,00 €	297,50 €
J086b	90040	Fender, front, R 26-69S, crude	146,18 €	173,95 €
J086c	0013220	Fender, front, R 26-69S, painted w. middle brace	327,59 €	389,83 €
J086e	3296261	Fender brace R50-R69S front, middle	29,33 €	34,90 €



J095	22001	Fender, rear, R 50-69S, painted, original	743,70 €	885,00 €
J095a	22011	Fender, rear, R 50-69S, primed, original	499,92 €	594,90 €
J095A	21001	Fender, rear, R 26/27, painted	495,60 €	589,76 €
J095b	23001	Fender, rear, R 50-69S, crude	306,72 €	365,00 €
J095b	021001	Fender, rear, R 26/27 crude	399,16 €	475,00 €
J095C	35295	Rear Fender R26/27 primed, Original BMW	503,36 €	599,00 €
J095C	023001	Fender, rear, R 50-69S, painted	504,12 €	599,90 €
J095D	35296	Rear fender R26/27, painted and pinstriped, original BMW	609,20 €	724,95 €
J096A	9008	Rubber plug for fender holes, 7mm	0,42 €	0,50 €
J096B	96154	Rubber plug for fender holes, 8mm	0,50 €	0,60 €
J097A	96148	Fender badge "R50S" chrome	30,59 €	36,40 €
J097B	96147	Fender badge "R69S" chrome	30,59 €	36,40 €
J097C	98470	Secure ring 4mm clip-on	0,25 €	0,30 €
J098	96195	License plate support, "small", 25-25/3 plastic-coated	15,25 €	18,15 €
J098A	96178	License plate support, "big" 26-69S plastic-coated	12,03 €	14,32 €
J098B	0000965	License-plate support, flat, military-style, black	15,25 €	18,15 €
J100	98203	Screw M 8x30 hexagon	0,25 €	0,30 €
J101	96152	Cap nut for rear fender, cined	2,52 €	3,00 €
J120	9906042	Seat top Blitz, rubber only	41,18 €	49,00 €
J120	9996042	Seat top Blitz with inner frame	74,71 €	88,90 €
J120A	02141	Driver's seat R 50-69S, complete, Pagusa	171,39 €	203,95 €
J120A	0214142	Driver's seat R 50-69S, complete, BLITZ	155,00 €	184,45 €
J120AA	02140	Driver's seat R 50-69S, complete, Denfeld	189,07 €	224,99 €
J120B	02011	Seat top Denfeld with inner frame	96,22 €	114,50 €
J120C	02012	Seat top Pagusa with inner frame	80,59 €	95,90 €
J120D	1003	Seat top Denfeld, rubber only	62,52 €	74,40 €
J120DA	91003	Seat top Denfeld, white, w/out frame	75,55 €	89,90 €
J120E	10030	Seat top Pagusa, rubber only	46,18 €	54,95 €
J121A	12166	Seat carrier, R50-69S driver seat	70,59 €	84,00 €
J121A	36205	Seat adaptor (2 holes)	5,55 €	6,60 €
J121B	92141	Silent block seat carrier R50, 51/3 54model	9,20 €	10,95 €
J121B	99102	Seat adaptor R50-69S "Z-shape"	5,52 €	6,57 €
J122	14364	Srew M10x1x70 hexagon	1,18 €	1,40 €
J123	10003	Silent block, drivers seat R50-69S	43,40 €	51,65 €
J124	98157	Screw M6x20 hexagon	0,13 €	0,15 €
J127	02190	Silent block holder, seat R50-69S	12,77 €	15,20 €
J146	2037	ID plate BMW R25-69S	3,36 €	4,00 €
J146a	4034138	ID plate BMW R26	11,68 €	13,90 €
J146b	4034142	ID plate BMW R27	11,68 €	13,90 €
J146c	4034246	ID plate BMW R50, R50/2	11,68 €	13,90 €
J146d	4034249	ID plate BMW R60	11,68 €	13,90 €
J146e	4034206	ID plate BMW R60/2	11,68 €	13,90 €
J146f	4034247	ID plate BMW R69	11,68 €	13,90 €
J146g	4034204	ID plate BMW R69S	11,68 €	13,90 €
J147a	9916604	Screw for I.D. plate, stainless steel	2,94 €	3,50 €
J148B	26016	Kick start bumper, R51/3-69S	8,19 €	9,75 €
J148c	28135	Center stand and swing arm bumper, kickstart lever R27	2,35 €	2,80 €
J148D	25116	Kick start bumper R25/3, also R24-R26	7,35 €	8,75 €
J150	34156	Kick start bumper mounting set	4,16 €	4,95 €
J153A	34216	Engine mounting axle, front, R51/3-69S stainless steel	10,04 €	11,95 €
J153B	39032	Upper engine axle R25/3, R26 steel, zink plated	14,20 €	16,90 €
J154	34224	Bushing for engine mounting axle R51/3-R69S	3,57 €	4,25 €
J156	98425	Washer B 13 stainless	0,42 €	0,50 €
J157A	98375	Nut M12X1.5 cinked	0,59 €	0,70 €
J157B	98377	Nut (flat) M12x1,5, stainless	2,10 €	2,50 €
J157B	98378	Nut M12x1.5 stainless	2,44 €	2,90 €
J160a	34227	Engine mount spacer ring R51/3-R69S	3,28 €	3,90 €
J161A	34210	Engine mounting axle, rear, R51/3-69S	9,20 €	10,95 €
J161B	34113	Lower engine axle R25, R26 w/nuts, zp.	9,96 €	11,85 €
J162a	4034260	Foot rest R50-R69S, R50/5-R100, right	25,13 €	29,90 €
J162b	34151	Foot rest R51/3-R69S used (choose left or right)	12,78 €	15,21 €
J163	9034125	Foot rest R50-69S, 50/5-R100RT, left	25,13 €	29,90 €
J164	34107	Foot rest rubber R25-75/5, (stiff/round)	5,00 €	5,95 €
J165A	34153	Foot rest driver R25-R27, passenger R25-R27, R50-R69S	13,53 €	16,10 €
J165B	34150	Foot rest, passenger, flip-up, oval-shape, 25-69S	21,85 €	26,00 €
J165BA	0034261	Foot rest holder, for flip-ups, 10,3mm-Hole (R24-R27, R50-R69S)	6,64 €	7,90 €



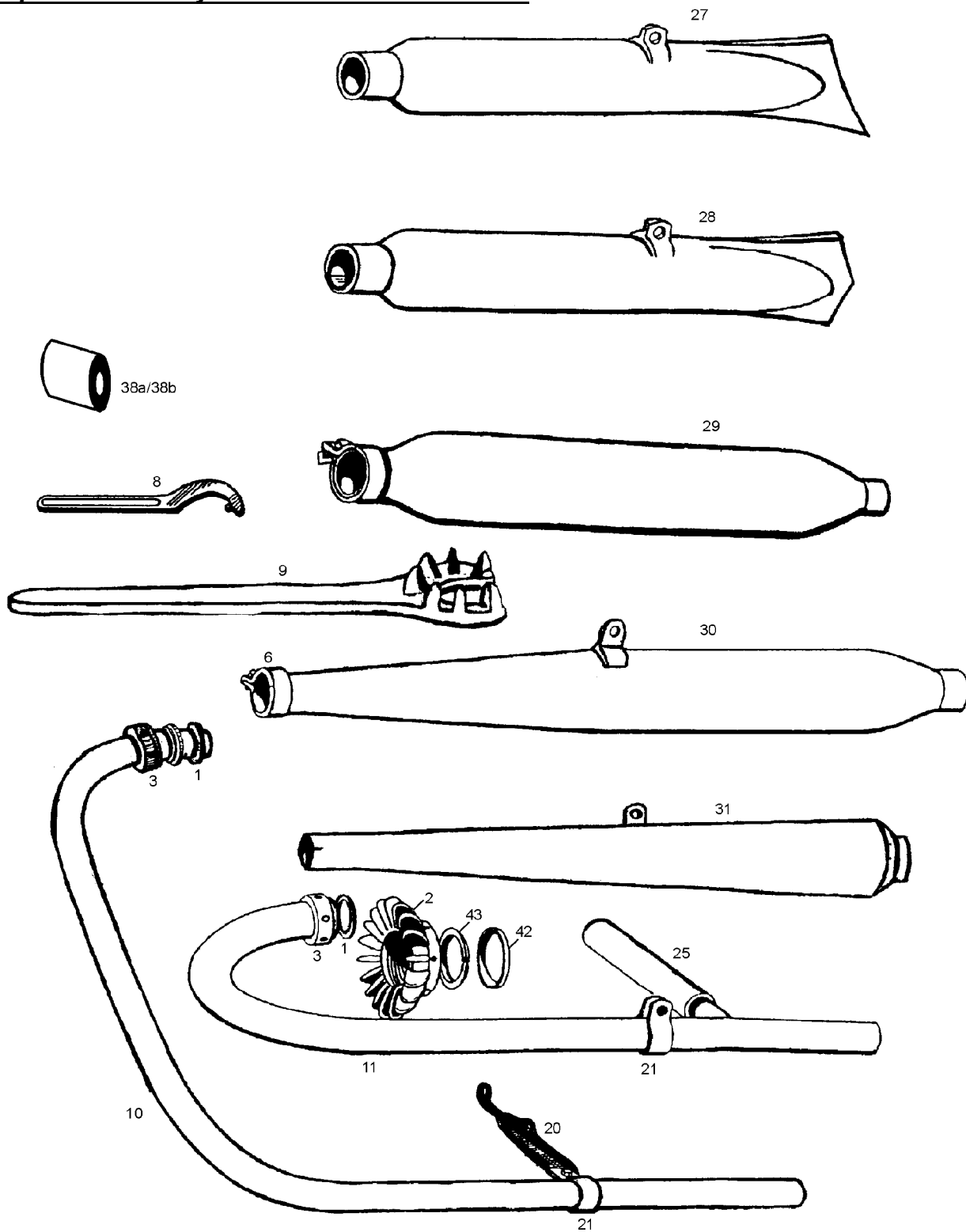
J165BB	0034262	Foot rest holder, for flip-ups, 12,5mm-Hole	6,64 €	7,90 €
J165BC	1034262	Foot rest holder, long, finely toothe, 12,5mm-Hole	6,64 €	7,90 €
J165C	10007	Foot rest rubber, passenger (oval)	5,00 €	5,95 €
J167	98257	Screw M12x30 hexagon	0,80 €	0,95 €
J169	34278	Top engine mount clamp R51/3-R69S	16,72 €	19,90 €
J170a	34282	Upper engine mount bracket R50-69S	10,88 €	12,95 €
J170b	34270	Top engine mount bracket R51/3-68	14,83 €	17,65 €
J171	9998416	Washer 8x30 thin	0,13 €	0,15 €
J172	80148	Engine rubber mount R51/3-R69S	1,93 €	2,30 €
J177	34274	Spacer bushing upper engine mount R51/3-69S	3,53 €	4,20 €
J200	99993	Fuel-filter, stick-in-hose, universal	2,35 €	2,80 €
J205	96216	Folding luggage rack R24-R69S, original shape	79,83 €	95,00 €
J205A	92239	Denfeld rack rubber strap 370mm	7,56 €	9,00 €
J205A	0962161	Rubber for baggage porter, R24-R69S, hinged, black	5,17 €	6,15 €
J205B	92244	Denfeld rack rubber strap 450mm	8,07 €	9,60 €
J205B	0962162	Rubber for luggage rack R24-R69S, folding, red	5,17 €	6,15 €
J205C	92255	Denfeld rack rubber strap 540mm	10,00 €	11,90 €
J206A	96200	Luggage rack R26/27	77,52 €	92,25 €
J206B	96214	Luggage rack R50-69S	79,75 €	94,90 €
J207	317025	Fork lock R25/3-R100	9,92 €	11,80 €
J208	2025	Steering lock cover --> /5	2,35 €	2,80 €
J208B	92025	Pin, steering-lock cover and stepshield 27	0,42 €	0,50 €
J210	16104	Steering lock spring	0,42 €	0,50 €
J211	32019	Steering lock washer	0,26 €	0,31 €
J213	16009	Fork and toolbox lock assembly R25/3, R50-69S	42,52 €	50,60 €
J214A	1050	Tire air pump R24-69S, black	15,42 €	18,35 €
J214B	90172	Air pump dust cap	0,50 €	0,60 €
J214D	90176	Air pump rubber gasket	0,84 €	1,00 €
J214E	90170	Air pump valve breather (3 holes)	0,67 €	0,80 €
J214F	90174	Air pump valve rubber	0,42 €	0,50 €
J214F	0010502	Tire air pump R24-69S, chrom	21,43 €	25,50 €
J214G	10501	Tire air pump R24-69S, silver painted	15,42 €	18,35 €
J300	8004	Passenger's seat grab handle, Denfeld-like	27,65 €	32,90 €
J300A	8003	Passenger's seat grab handle Denfeld	39,45 €	46,95 €
J300C	1058	Passenger's seat grab handle Pagusa	35,80 €	42,60 €
J300D	1057	Passenger*s seat grab handle, Pagusa-like	29,33 €	34,90 €
J301A	35015	Passenger seat Pagusa (mounted on rack)	148,32 €	176,50 €
J301B	34015	Passenger seat Denfeld (mounted on rack)	189,07 €	224,99 €
J301C	97302	Spring-assembly, Pagusa rear-seat	34,87 €	41,50 €
J302A	35017	Passenger seat Denfeld (mounted on fender)	189,07 €	224,99 €
J302B	34017	Passenger seat Pagusa (mounted on fender)	147,02 €	174,95 €
J303	34115	Spring set for passenger seat (two springs), open	31,05 €	36,95 €
J303A	3411500	Spring set for passenger seat (two springs) Denfeld closed	30,42 €	36,20 €
J304	9058	Seat top Pagusa with front latch, w/out frame	49,54 €	58,95 €
J400A	02009	Driver´s seat R25/2-68, 26/27, complete, Pagusa	157,90 €	187,90 €
J400A	0200942	Driver´s seat R25/2-68, 26/27, complete, BLITZ	142,86 €	170,00 €
J400B	02179	Driver´s seat R25/2-68, 26/27, complete, Denfeld	180,67 €	215,00 €
J456	02137	Seat spring bolt	8,57 €	10,20 €
J469A	021020	Seat suspension spring R25/2-R27, R51-R68	15,21 €	18,10 €
J469B	02102	Drivers seat spring unit R25/2-R27, R51-R68	53,36 €	63,50 €
J471B	02116	Seat carrier R25/2-R27, R51/2-R68 (driver)	53,70 €	63,90 €
J480A	34022	Dual seat R25-69S, original Denfeld	336,05 €	399,90 €
J480C	34028	Dual seat R50-R69S, wide, USA	378,07 €	449,90 €
J481	6003	Dual seat cover R24-69S	42,86 €	51,00 €
J481	0006003	Dual seat cover large R24-69S US-version	41,93 €	49,90 €
J481B	34021	Dual seat R25-69S	197,44 €	234,95 €
J481C	02007	Seat pad "Denfeld" rear, R24-69S	273,07 €	324,95 €
J481D	0200701	Seat mounting kit, Denfeld on fender	17,65 €	21,00 €
J481D	7002007	Seat pad "Denfeld-form" rear, R24-69S, only for mouting direct on fender !	125,97 €	149,90 €
J481E	0200702	Seat mounting kit, Denfeld on rear rack	18,49 €	22,00 €
J482	13463	Dual seat holder bracket R50-69S, lateral	8,19 €	9,75 €
J482A	9034116	Dual seat holder bracket R26/27, lateral	8,19 €	9,75 €
J483	13457	Dual seat holder bracket, R50-69S, front (Z-shape)	10,00 €	11,90 €
J483A	9034117	Dual seat holder bracket, R26/27, front R24-R68	10,00 €	11,90 €
J484	34676	Dual-seat trim-set, R25-R69S incl. screws and nuts	25,17 €	29,95 €
J484a	922016	dual-seat trim holder nut	0,08 €	0,10 €



J484b	31319	Seat-trim srew /5	0,97 €	1,15 €
J484c	31015	Washer, seat-trim screw.	0,08 €	0,10 €
J488	33552	'Schorsch Meier' seat emblem	6,39 €	7,60 €
J500B	32032	Air filter housing R26/27, used	56,03 €	66,68 €
J501	34166	Upper engine mounting rubber R25/3, R26	2,45 €	2,92 €
J502	34119	Lower engine mounting rubber R25/3, R26	3,32 €	3,95 €
J503A	34130	Top engine mount R27	11,26 €	13,40 €
J503B	34131	Lower engine rubber mount R27	11,26 €	13,40 €
J504	98240	Srew M10x1x20 hexagon	0,80 €	0,95 €
J505	034126	Upper engine mount bracket R27	8,57 €	10,20 €
J560	42168	Rubber bumper for battery carrier R26/27	2,57 €	3,06 €
J580	2052	Crash bar set R50-69S, Fehling, chrome	134,37 €	159,90 €
J580A	24156	Crash bar R50-R69S, trapeze shape, chrome without mounting parts	151,18 €	179,90 €
J580AA	09024171	Crash bar mount set (trapeze-shape)	25,13 €	29,90 €
J580B	9024115	Crash bar R26/27, trapeze shape, chrome without mounting parts, original new/old stock	167,98 €	199,90 €
J581	1052	Headlight chrome guard R24-R75/5	16,72 €	19,90 €
J582	10521	Taillight chrome guard R26-69S	29,33 €	34,90 €
J583	30016	Battery strap R 24-25/3, R50-69S, 240mm	4,87 €	5,80 €
J583	31016	Battery strap R26/27	4,87 €	5,80 €
J584	42212	Battery carrier R50-69S 6V	18,49 €	22,00 €
J584A	42213	Battery carrier R 50-69S, 6V 16Ah US-Version	18,49 €	22,00 €
J585A	31031	Batterie carrier R26/27 used	48,74 €	58,00 €
J585B	042111	Battery support 6V12Ah, R26/27, foam rubber	2,98 €	3,55 €
J586	42170	Battery cover gasket R26/27	3,19 €	3,80 €
J587	42160	Battery cover protection plate R26/27, aluminum	19,92 €	23,70 €
J588	42162	Battery cover R26/27, black with alu step-protector	86,47 €	102,90 €
J588B	080140	Battery cover rubber washer R26/27, also for tool	0,80 €	0,95 €
J589	98201	Screw, hexagon, cinked	0,17 €	0,20 €
J590B	99007	Cap nut M8 stainless	1,30 €	1,55 €
J590C	96122	Nut for rear fender brace R26-R69S and R51/3-R68 upper engine mount	2,48 €	2,95 €
J591	90240	Side stand "Akup", fit to footrest, R 25-69S	79,79 €	94,95 €
J592	99013	Emblem "Uli's Motorradladen"	0,00 €	0,00 €
J592a	36625	Pin for emblem "Uli's"	0,00 €	0,00 €
J593	42179	Battery supporting rubber, inside cover R26/27	1,93 €	2,30 €



Group A: Exhaust system all models 1948-1969



<u>Picture-No.</u>	<u>Article-No.</u>	<u>Description</u>	<u>Net</u>	<u>Gross</u>
A001	63470	Exhaust gasket R24-60/2	1,18 €	1,40 €
A002A	3003	Exhaust nut cover R24-60/2, finned (slips over the existing nut)	22,65 €	26,95 €
A002B	90111	Exhaust nut, finned, aluminium, R24-27	23,53 €	28,00 €
A002C	90250	Exhaust nut R69S with fins	23,53 €	28,00 €
A003A	9016	Exhaust nut R24-27, R51/3-60/2	9,45 €	11,25 €
A003B	90110	Exhaust nut R24-60/2, stainless steel	21,81 €	25,95 €
A004B	1335595	Exhaust nut R45/65 (fitted also for R68, R69 and R69S)	16,72 €	19,90 €
A006	9001	Muffler clamp for 36mm headers	6,39 €	7,60 €
A007	3036	Muffler clamp R25/3, chrome plated	6,39 €	7,60 €
A008	2038	Wrench exhaust pipe R24-R60/2, 20cm	10,08 €	12,00 €
A008A	92038	Wrench exhaust pipe R24-60, 17cm (on-board)	10,08 €	12,00 €
A009	90139	Wrench for finned exhaust nut, forged steel, professional workshop quality	23,53 €	28,00 €

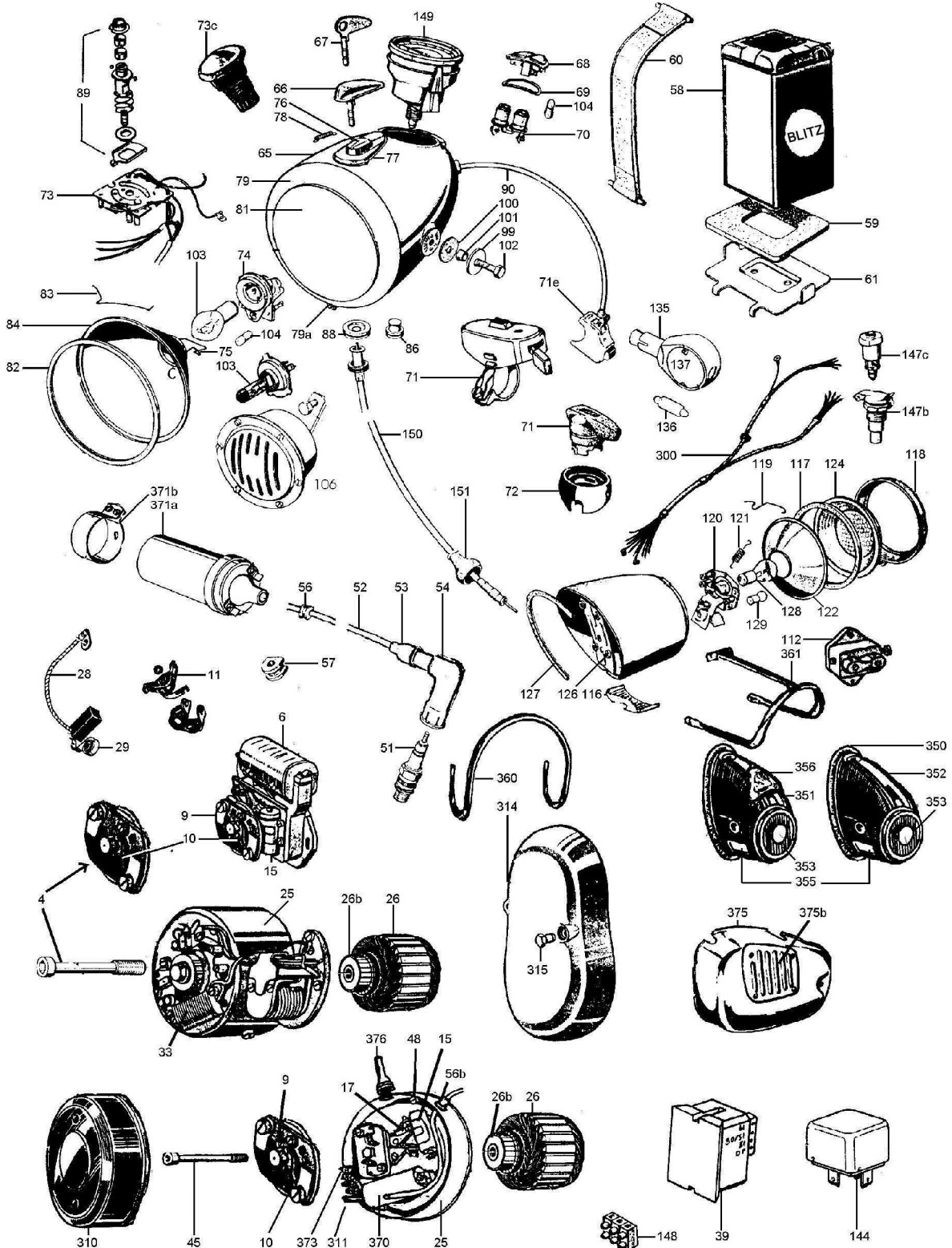


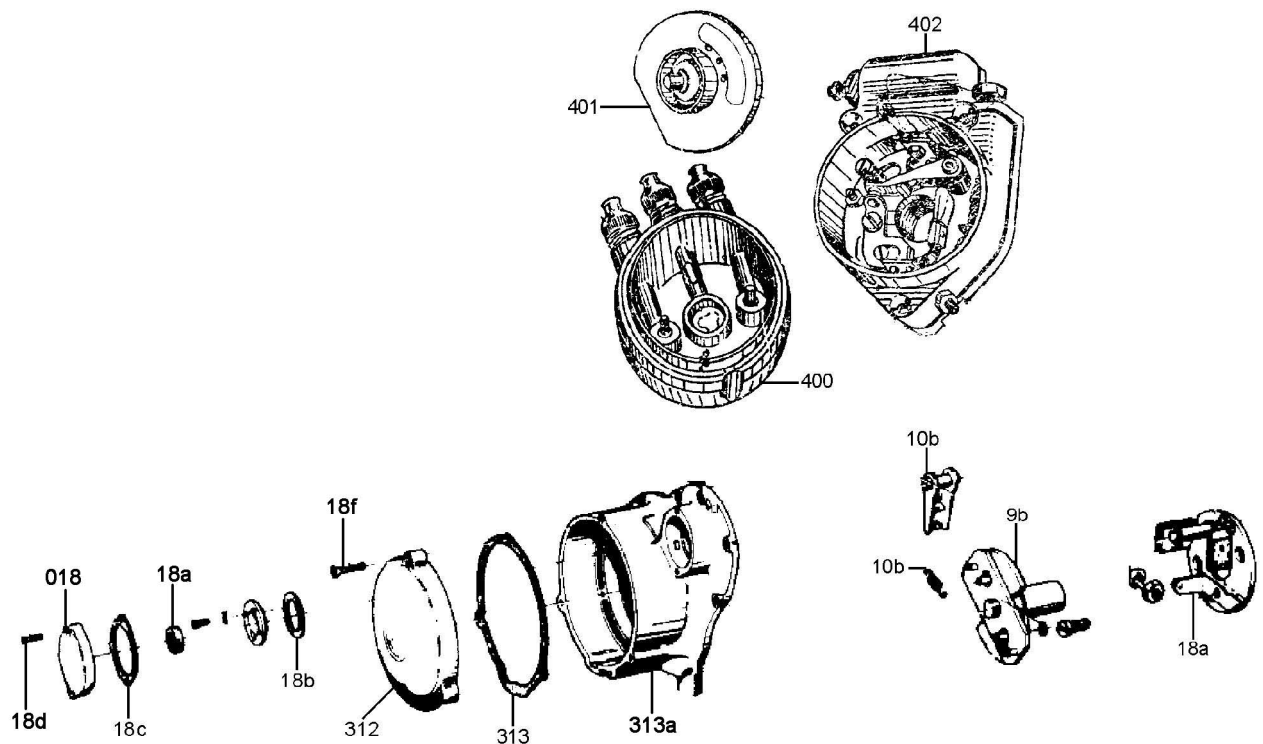
A010A	90114	Exhaust pipe R24	102,52 €	122,00 €
A010B	90116	Exhaust pipe R25, R25/2	102,52 €	122,00 €
A010C	90018	Exhaust pipe R25/3	91,51 €	108,90 €
A010D	11035	Exhaust pipe R26	102,52 €	122,00 €
A010E	11036	Exhaust pipe R27	102,52 €	122,00 €
A011A	090074	Exhaust pipe R50-60/2 right	106,64 €	126,90 €
A011A	18035	Exhaust pipe R50-60/2 left	106,64 €	126,90 €
A011AA	62120	Exhaust pipes set R50-60/2, stainless	377,31 €	449,00 €
A011B	200351	Exhaust pipe R51/2/3, straight ->09/52 right	106,64 €	126,90 €
A011B	20035	Exhaust pipe R51/2/3, straight ->09/52, left	106,64 €	126,90 €
A011BA	990351	Exhaust pipe R5, R51, right	106,64 €	126,90 €
A011BA	99035	Exhaust pipe R5, R51, left	106,64 €	126,90 €
A011C	190351	Exhaust pipe R51/3-67/3 (bent) 09/52->, right	109,16 €	129,90 €
A011C	19035	Exhaust pipe R51/3-67/3 (bent) 09/52->, left	109,16 €	129,90 €
A011D	9130351	Exhaust pipe R 68, ->52, straight, right	109,16 €	129,90 €
A011D	913035	Exhaust pipe R 68, ->52, straight, left	109,16 €	129,90 €
A011E	130351	Exhaust pipe R 68, 52-> (bent), right	109,16 €	129,90 €
A011E	13035	Exhaust pipe R 68, 52-> (bent), left	109,16 €	129,90 €
A011F	090016	Exhaust pipe R69, R69S right	102,52 €	122,00 €
A011F	62122	Exhaust-pipe set, R69-69S, stainless	394,12 €	469,00 €
A011F	15035	Exhaust pipe R69, R69S left	102,52 €	122,00 €
A011G	140351	Exhaust pipe, /5 engine in R50 frame, right	102,52 €	122,00 €
A011G	14035	Exhaust pipe, /5 engine in R50 frame, left	102,52 €	122,00 €
A020A	90142	Exhaust pipe bracket R25/3	13,45 €	16,01 €
A020B	90143	Exhaust pipe bracket R26	13,40 €	15,95 €
A020C	90141	Exhaust pipe bracket R27	6,64 €	7,90 €
A021A	2036	Exhaust pipe clamp R25/3	6,39 €	7,60 €
A021B	10361	Exhaust pipe clamp, R 26/27, chrome	6,39 €	7,60 €
A021C	90103	Exhaust pipe clamp, stainless, R51/2-R69S	6,39 €	7,60 €
A021D	7500204	Exhaust pipe clamp, R25, R25/2, chrome	6,39 €	7,60 €
A025A	22035	Crosspipe R51/2-69S, chrome-plated	15,80 €	18,80 €
A025B	22036	Crosspipe R51/3-69S stainless steel	17,90 €	21,30 €
A027A	900051	Muffler R51/3-R68 RH, fish-tail w/cut out, 09/53->	134,37 €	159,90 €
A027A	90005	Muffler R51/3-R68 LH, fish-tail w/cut out, 09/53->	134,37 €	159,90 €
A027B	900061	Muffler R51/2-R68 RH, fishtail w/bracket, ->09/52	125,97 €	149,90 €
A027B	90006	Muffler R51/2-R68 LH, fishtail, w/bracket, >09/52	125,97 €	149,90 €
A027C	90000	Muffler R20, R24 fish tail	125,97 €	149,90 €
A027D	90007	Muffler R25 fish tail	125,97 €	149,90 €
A027E	1034	Muffler R35 pre war, fish tail	141,93 €	168,90 €
A027F	90012	Muffler EMW, long	121,85 €	145,00 €
A028A	90021	Muffler R51/3-68 RH, birdtail w/cut out, 09/52->	134,37 €	159,90 €
A028A	90002	Muffler R51/3-68 LH, birdtail w/cut out, 09/52->	134,37 €	159,90 €
A028B	900031	Muffler R51/2-R68 RH, swallow-tail w/bracket->09/52	134,37 €	159,90 €
A028B	90003	Muffler R51/2-R68 LH, swallow-tail w/bracket->09/52	134,37 €	159,90 €
A028C	90004	Muffler R25/2 birdtail	125,97 €	149,90 €
A028D	90009	Muffler R25/3, birdtail	125,97 €	149,90 €
A029A	90001	Muffler R51/3-68 RH, Torpedo w/cut out, 09/52-> (w/seam)	125,97 €	149,90 €
A029A	4090033	Muffler R51/3-68 RH, Torpedo w/cut out, 09/52-> (w/o seam)	128,15 €	152,50 €
A029B	92001	Muffler R51/3-68 LH, Torpedo w/cut out, 09/52-> (w/seam)	125,97 €	149,90 €
A029B	4090032	Muffler R51/3-68 LH, Torpedo w/cut out, 09/52-> (w/o seam)	128,15 €	152,50 €
A029C	90008	Muffler R25/3 torpedo	99,83 €	118,80 €
A030	11088	Muffler R50/R60 set (left+right), stainless steel	427,73 €	509,00 €
A030A	90011	Muffler R26/27 with seam	159,58 €	189,90 €
A030A	4090011	Muffler R26/27 without seam	163,78 €	194,90 €
A030B	900871	Muffler R50-R60/2 w/o seam, LH	163,78 €	194,90 €
A030B	90087	Muffler R50-R60/2 RH (w/out seam)	163,78 €	194,90 €
A030BA	91088	Muffler R50-R60/2 LH (w/seam)	159,58 €	189,90 €
A030BA	91087	Muffler R50-R60/2 RH (w/seam)	159,58 €	189,90 €
A030C	900891	Muffler R50S, R69, R69S LH (w/out seam)	176,39 €	209,90 €
A030C	90089	Muffler R50S, R69, R69S RH (w/out seam)	176,39 €	209,90 €
A030CA	90090	Muffler R50S, R69, R69S LH (w/seam)	167,98 €	199,90 €
A030CB	900901	Muffler R50S, R69, R69S RH (w/seam)	167,98 €	199,90 €
A030CD	11070	Muffler set R50S, R69, R69S, stainless steel	461,34 €	548,99 €
A030D	90088	Muffler "Conversion" LH, 38mm, R69S-shape, for pre-1969 engines at 1955-69 frames	167,98 €	199,90 €
A030D	900881	Muffler "Conversion" RH, 38mm, R69S-shape, for post-1969 engines at 55-69 frames	167,98 €	199,90 €



A030DD	62024	Exhaust three pipes set "conversion", for R50/5-R100RS engine into R50-R69S frame, 38mm, stainless	293,28 €	349,00 €
A030DD	1451844	Exhaust pipes set "conversion", for R80G/S, ST, stainless, polished	242,86 €	289,00 €
A031	7035	Muffler R26-R69S "Hoske"-shape, LH, w/out ECE-ABE	121,85 €	145,00 €
A031A	87035	Muffler R50-R69S "Hoske"-shape, RH, w/out ECE-ABE	121,85 €	145,00 €
A038A	90144	Silent block, muffler R27	9,16 €	10,90 €
A038B	80138	Muffler mount rubber, R25/3, R26	1,85 €	2,20 €
A038C	90131	Spacer jacket, muffler holder R 26	3,11 €	3,70 €
A042	90254	Exhaust thrust ring R68,69,69S	5,80 €	6,90 €
A043	90258	Exhaust gasket R68,69,69S , inner	7,48 €	8,90 €

Group E: Electrics





<u>Picture-No.</u>	<u>Article-No.</u>	<u>Description</u>	<u>Net</u>	<u>Gross</u>
E000	70224	Grommet for wiring harness/battery carrier R50-69S	2,44 €	2,90 €
E000	00111	Chrome-ring headlight Hella 130mm (..XT 500)	16,81 €	20,00 €
E000	1000666	Ignition timing gun (Stroboskopik lamp)	39,33 €	46,80 €
E000	1081120	Contactless ignition system EZA-1, for R24-R26 conversion-kit complete	191,60 €	228,00 €
E000	1301470	Contactless ignition system EZA-2, for R27 conversion-kit complete	208,40 €	248,00 €
E000	1091122	Contactless ignition system EZA-4, for R51/3-R69S conversion-kit complete w.high power ignition coil	294,03 €	349,90 €
E000	1635700	Seal-ring, 16x35x7 camshaft, only for contactless ignition system R51/3-R69S	3,36 €	4,00 €
E000	1640100	Seal-ring, 16x35x7 camshaft, only for contactless ignition system R51/3-R69S	7,52 €	8,95 €
E0001	7770004	Sticker, old "Bosch" -Logo for Battery 0811	6,30 €	7,50 €
E004	04100	Bolt, advance unit/rotor 51/3-69S	4,12 €	4,90 €
E006	04104	Ignition coil R51/3-R68, R50-R69S	82,35 €	98,00 €
E008	118031	Magneto rotor R51/3-R60/2 and R69S, used, checked (fits not for R68 and R69)	119,83 €	142,60 €
E009A	08112	Ignition advance unit R24-26	124,37 €	148,00 €
E009b	30147	Ignition advance unit R27	166,39 €	198,00 €
E009C	04113	Ignition advance unit, R51/3-69S	157,98 €	188,00 €
E009Ca	0000068	Advance limit spring, old version	8,61 €	10,25 €
E009Cb	0000069	Advance limit spring, new version	5,80 €	6,90 €
E010A	1018	Spring, ignition advance unit, R 24-69S	2,27 €	2,70 €
E010B	3018	Spring, ignition advance unit, R 27	2,44 €	2,90 €
E011A	2014	Ignition point set R24-26	7,52 €	8,95 €
E011AA	32815	Lock ring points and advance unit R24-26	0,08 €	0,10 €
E011B	3014	Ignition point set R27	8,36 €	9,95 €
E011C	1015	Ignition point set R51/2	10,50 €	12,50 €
E011D	4014	Ignition point set R51/3-69S	7,02 €	8,35 €
E011E	8530576	Ignition point-insulation washer set	2,48 €	2,95 €
E015	8011	Condenser R24-69S with cable	5,00 €	5,95 €
E015B	98011	Condenser R 24-69S	3,61 €	4,30 €
E017	30008	Ignition points base R24-R26	24,54 €	29,20 €
E017B	98100	Screw M3,5x5 slot	0,13 €	0,15 €
E018	0002122	Cover for points R27	25,13 €	29,90 €
E018a	02129	Seal-ring camshaft R27	3,53 €	4,20 €
E018B	02128	Ignition points base gasket R27	1,26 €	1,50 €
E018C	02123	Ignition points cover gasket R27	1,43 €	1,70 €
E018d	98101	Srew generator-cover R 27	0,13 €	0,15 €
E018F	98174	Screw M6x30 counter-sunk	0,17 €	0,20 €
E025	8002139	Generator winding R24-R26 6V	241,60 €	287,50 €
E025A	5030	Generator overhauling (price at least)	230,08 €	273,80 €
E025a	8002143	Generator winding R27 6V	262,02 €	311,80 €
E026	4022	Generator rotor 6V R24, R25, R26	155,63 €	185,20 €



E026	5022	Generator rotor R50/2-69S, 20mm crank pin	155,63 €	185,20 €
E026	6022	Generator rotor R51/3-R68, R50-69, 6V, 17mm	155,63 €	185,20 €
E026	4023	Generator rotor R27	155,63 €	185,20 €
E026A	1022	Generator rotor 6Volt in exchange	115,00 €	136,85 €
E026B	02330	Collector for DC-Rotor	19,94 €	23,73 €
E026C	2022	Generator rotor 12V in Exchange	79,24 €	94,30 €
E026D	3022	Generator rotor 6/12V 75W in exchange	157,98 €	188,00 €
E028A	02218	Generator brush, pre-war + R 51/2	4,37 €	5,20 €
E028B	98100	Screw M3,5x5 slot	0,13 €	0,15 €
E028B	1019	Generator brush R24-R69S	2,10 €	2,50 €
E028B	8002106	Brush 6 V for Noris generator central connected, straight end	5,00 €	5,95 €
E028C	02332	Generator brush, R 50/2-69S 12V/ 4-brushes	2,73 €	3,25 €
E028D	02310	Generator brush 6V 75W	2,48 €	2,95 €
E029	7013	Generator brush spring R24-69S	2,44 €	2,90 €
E033	1021	Resistor generator, R51/3-R69S, electronic	6,89 €	8,20 €
E039A	6030	Voltage regulator, R24, R25-/3, R26, 6V electronic	75,59 €	89,95 €
E039AA	96030	Voltage regulator R51/2-69S, 6V electronic	75,59 €	89,95 €
E039C	2009	Voltage regulator 14.3 volt, AC, R50/5-R100	31,89 €	37,95 €
E039E	976030	Voltage regulator 12 V DC	76,72 €	91,30 €
E039F	08106	Voltage regulator R27 electronic	75,59 €	89,95 €
E045A	02108	Generator rotor screw R24, R25, R26	4,16 €	4,95 €
E045B	02142	Generator rotor screw R27	3,28 €	3,90 €
E045C	36184	Generator rotor screw R51/3-69S	3,28 €	3,90 €
E045D	02348	Generator rotor screw R50/5-R100	4,96 €	5,90 €
E045E	8002314	Generator rotor screw R50/2-R69S, 12V, 100W, 4-Brushes, Direct current generator	4,16 €	4,95 €
E048A	98138	Screw for headlight rim	0,13 €	0,15 €
E048B	98165	Screw M6x16, allen-head	0,17 €	0,20 €
E051	158158	Spark plug W240T2, R50-R60/2, long thread	2,69 €	3,20 €
E051	32518	Spark plug W78G, 4-Elektrodes short thread	7,14 €	8,50 €
E051	1460800	Spark-plug X5DC for K75, K100	4,86 €	5,78 €
E051	335600	Spark plug UX79, 4-Elektrodes	7,14 €	8,50 €
E051A	76330	Spark-plug W240T1, R51/3-R60, R24-R27 short thread	2,69 €	3,20 €
E051B	36166	Spark-plug W260T1, R68, R50S, R69, R69S short thread	2,69 €	3,20 €
E051C	36167	Spark-plug R68, R50S, R69, R69S long thread	3,28 €	3,90 €
E051E	61280	Spark-plug W230T30, R50/5-R60/7, R90S, R45/65 and R100 from 79-->	2,69 €	3,20 €
E051F	36168	Spark plug W200T30, R75/5-R80/7, R90/6, R90S, R100 ->79	2,69 €	3,20 €
E051G	58159	Spark-plug, all R80, R100R and GS	4,16 €	4,95 €
E052	4017	Ignition cable per meter, copper	2,10 €	2,50 €
E053	8036100	Grommet spark-plug	0,84 €	1,00 €
E054	5005	Spark-plug socket, all models, cinc-jacket	6,68 €	7,95 €
E054	5005011	Spark-plug socket, all models, classic black	4,16 €	4,95 €
E054A	5590014	Spark-plug socket, Bakelit, with BMW logo	18,40 €	21,90 €
E055	10272	Ignition cable sleeve, brass, stick-on	1,01 €	1,20 €
E056A	36150	Grommet ignition cable, 51/3-69S	0,92 €	1,09 €
E056B	70106	Grommet for ignition cable/generator R24-R26	1,81 €	2,15 €
E056P	99910	Battery top-cover f. 6V12AH-battery	8,19 €	9,75 €
E057A	52095	Grommet for wire harness/engine 51/3-69S	1,81 €	2,15 €
E057B	70195	Grommet for wiring harness/generator R27	0,59 €	0,70 €
E058	6123024	Battery 6V, for BMW R24-R25/3, R51/2-R69S maintenance-free	46,64 €	55,50 €
E058A	6121024	Battery 6V, for BMW R24-R25/3, R51/2-R69S (for own filling with acid) Color: black	44,12 €	52,50 €
E058AB	81024	Battery 6V, for BMW R24-R25/3, R51/2-R69S (for own filling with acid) Color: white	30,88 €	36,75 €
E058B	01411	Battery 6V, for BMW R50-R69S (US-version) (for own filling with acid) Color: black	51,68 €	61,50 €
E058B	1001611	Battery 6V, for BMW R50-R69S (US-version) maintenance-free	55,04 €	65,50 €
E058B	1101611	Battery 6V, for Panther, Triumph, Velocette maintenance-free	55,04 €	65,50 €
E058B	1201611	Battery 6V, for Ducati, Gilera, Moto Guzzi maintenance-free	55,04 €	65,50 €
E058B	1301611	Battery 6V, for Harley-Davidson WLA and WLC maintenance-free	55,04 €	65,50 €
E058B	1401611	Battery 6V, for Jawa maintenance-free	55,04 €	65,50 €
E058B	1501611	Battery 6V, for BSA/B.S.A, Matchless maintenance-free	55,04 €	65,50 €
E058C	3024	Battery 12V, for 12V-conversation, 12N5.5-3B (for own filling with acid) - (white)	29,33 €	34,90 €
E058C	0050512	Battery 12V, for BMW R27-conversation, R50-R69S maintenance-free	39,87 €	47,45 €
E058DA	42030	Battery 6V, for BMW R26, R27 (for own filling with acid) Color: black	44,71 €	53,20 €
E058DB	0092030	Battery 6V, for BMW R26, R27 maintenance-free	46,64 €	55,50 €
E058E	4024	Battery 12V, for 12V-conversation, 12N9-4B-1 (for own filling with acid) - (white)	35,63 €	42,40 €
E058J	00386	Battery 6V, for BMW R50-R69S (US-version) (for own filling with acid) - (white)	40,46 €	48,15 €
E058M	29240	Battery acid, 1 litre-bottle	4,16 €	4,95 €



E058N	96009	Battery charger, automatic,2-6-12V, 600mA	16,72 €	19,90 €
E058O	92024	Battery 6V, for DKW, NSU-Max (for own filling with acid) - (white)	35,97 €	42,80 €
E058P	92124	Battery 6V, for DKW, NSU-Max (fow own filling with acid) Color: black	35,97 €	42,80 €
E059A	42109	Battery support 6V8-12 AH, foam rubber R 24-68	2,14 €	2,55 €
E059B	42211	Battery support 6V16Ah, foam rubber, R 50-69S	2,98 €	3,55 €
E059C	042111	Battery support 6V12Ah, R26/27, foam rubber	2,98 €	3,55 €
E060A	30016	Battery strap R 24-25/3, R50-69S, 240mm	4,87 €	5,80 €
E060B	31016	Battery strap R26/27	4,87 €	5,80 €
E060C	32016	Battery strap R51/2-68, 53-> rubber, 270mm lang	4,87 €	5,80 €
E060D	42224	Battery strap R51/3, stainless steel	35,21 €	41,90 €
E060E	29016	Battery strap R51/3 ->53 rubber, 350mm long	4,87 €	5,80 €
E061A	42212	Battery carrier R50-69S 6V	18,49 €	22,00 €
E061AA	42213	Battery carrier R 50-69S, 6V 16Ah US-Version	18,49 €	22,00 €
E061B	42121	Battery carrier R24-R25/3, black, powdercoated	33,61 €	40,00 €
E061D	31031	Batterie carrier R26/27 used	48,74 €	58,00 €
E065A	50012	Headlight bucket R25/2, R51/3-R68 ->09/53, black powdered, high gloss	145,29 €	172,90 €
E065B	50030	Headlight bucket R25/3, R26-69S, R51/3-R68 09/53->	145,29 €	172,90 €
E065C	50013	Headlight R25/2, R51/3-68 ->09/53 complete, w/out speedometer, black powdered, high gloss	436,97 €	519,99 €
E065D	50032	Headlight R26-69S, R51/3-R69 09/53->, w/out speedometer	436,97 €	519,99 €
E065E	5001253	Headlight R25/3 complete, w/out speedometer, black powdered, high gloss	436,97 €	519,99 €
E065F	00033	Repairplate contactdisk/lamp R25-R75/5	23,49 €	27,95 €
E066A	48116	Ignition key R25, R25/2, R51/2-R68->53, black	10,04 €	11,95 €
E066B	8014	Ignition key R25/3-R75/5	6,01 €	7,15 €
E066c	48111	Ignition key R24 "Hella"-shape	16,72 €	19,90 €
E067	48119	Ignition key, metal, R25/3-R75/5	5,80 €	6,90 €
E068A	48129	Neutral controll lens, green > '54	9,66 €	11,50 €
E068B	5013	Red/green lense, 51/3 (54), 25/3-69S	14,03 €	16,70 €
E068C	48131	Controll light, blue, R50/5-R75/5	9,66 €	11,50 €
E068D	48135	Ignition control lense ->1954, red	13,19 €	15,70 €
E069	48128	Red/green lens gasket	1,93 €	2,30 €
E070A	0000001	Screw M3x4 flat head, cinced for controllight-assembly	0,21 €	0,25 €
E070A	8048129	Bulb holder (twin) for red-green lens, R 25/3-69S original metal-version	16,72 €	19,90 €
E070B	0000002	Screw m 3x5 flat head, cinced for controllight-assembly	0,21 €	0,25 €
E071	8048161	Dimmer switch mechanical, R25, R51 (1938) black painted	49,58 €	59,00 €
E071A	4011	Dimmer switch, black R26-69S	67,14 €	79,90 €
E071B	48183	Indicator switch, black R27-69S	52,86 €	62,90 €
E071C	20013	HiLo switch, chrome, universal w/horn button	9,41 €	11,20 €
E071D	20014	Indicator switch, universal, chromeplated	10,76 €	12,80 €
E071E	48163	Dimmer switch, chromeplated, Bosch-form	80,25 €	95,50 €
E071G	19360	Grommet light switch (Bosch-shape)	2,02 €	2,40 €
E071H	48182	Indicator switch, chrome plated, original shape	80,25 €	95,50 €
E071J	30441	Indicator-switch adaptor, R 26-R69	2,77 €	3,30 €
E072A	40110	Round switch bracket 1960->	18,49 €	22,00 €
E072B	07450	Screw for switch bracket, lateral	0,84 €	1,00 €
E072C	0007451	Screw for switch bracket, centric	0,25 €	0,30 €
E073A	3001	Terminal plate R25/3-69S	97,14 €	115,60 €
E073B	48176	Terminal plate R25-68, incl. fuse holder ->'53	97,14 €	115,60 €
E073C	48154	Fuse holder R25-/2, R51/2-68, headlight	15,13 €	18,00 €
E073E	99135	Ignition control lense R24, red (Hella)	10,08 €	12,00 €
E074A	48179	Bulb holder, headlight, Bosch-reflector R24-69S	14,20 €	16,90 €
E074B	80130	Bulb holder, 1 pole, position light	2,31 €	2,75 €
E075	50160	Bulb holder-clip, headlight, R24-69S	1,90 €	2,26 €
E076	9013	Ignition cover slide R25/3-R75/5	2,44 €	2,90 €
E077A	6013	Ignition switch cover set complete with spring and sliding cover	14,03 €	16,70 €
E077B	48189	Ignition switch cover, single	10,97 €	13,05 €
E078	48191	Spring for ignition cover slide	1,05 €	1,25 €
E079A	2013	Head light chrome rim R24-69S	16,81 €	20,00 €
E079B	92013	Headlight chrome rim Hella shape	18,07 €	21,50 €
E079C	20131	Head light chrome rim R24-69S with Logo	27,52 €	32,75 €
E080	50185	Screw for headlight chrome rim	0,21 €	0,25 €
E081A	8007	Lens, headlight R24-69S	24,33 €	28,95 €
E081B	11013	Lens, headlight 1948-1973, H4, ZEV R45/65 > 09/84	10,00 €	11,90 €
E081B	5603004	Lens, headlight R24-69S, BOSCH Old-Style	24,33 €	28,95 €
E081C	12013	Lens, headlight 1948-1973, H4, Bosch R45/65 > 09/84	22,65 €	26,95 €
E082	1007	Headlight lens gasket	1,51 €	1,80 €



E083	48181	Headlight clip	0,50 €	0,60 €
E084A	50181	Headlight reflector R24-69S	18,49 €	22,00 €
E084C	08018	H4 plug base, indicator plug base	5,84 €	6,95 €
E086	2008	Grommet, wiring harness/shell R24-69S	0,88 €	1,05 €
E087A	70199	Grommet lightswitch/shell R25/2-69S	0,63 €	0,75 €
E087B	70188	Grommet horn/headlight R 25/3	0,59 €	0,70 €
E087C	9009	Rubber plug, blinker wire/headlight R26-R69S	0,80 €	0,95 €
E088	19007	Grommet, speedocable/headlight R24-69S	1,64 €	1,95 €
E089	1013	Ignition lock assembly R25-75/5	37,73 €	44,90 €
E089B	48110	Ignition-lock R24, Hella-type (without key and bulbs)	125,97 €	149,90 €
E090A	190031	Wiring harness, lights/indicator switch, chrom p.	7,56 €	9,00 €
E090AA	1900311	Wiring harness, lights/indicator switch black	7,56 €	9,00 €
E090B	4035	Wire, 4 strand	1,72 €	2,05 €
E090C	4036	Wire, 3 strand	1,55 €	1,85 €
E090C	8351101	Wire, 2 strand	1,39 €	1,65 €
E099	50134	Headlight washer, polished stainless steel	3,32 €	3,95 €
E100	8008	Headlight rubber washer (you need 4 pcs for one Headlight !)	0,97 €	1,15 €
E101	50138	Rubber spacer for headlight ear	1,68 €	2,00 €
E102A	13661	Headlight bolt, polished stainless steel	2,52 €	3,00 €
E103	10062	Bulb 6V H4 60/55W P45T	13,36 €	15,90 €
E103A	1005	Bulb 6V 35/35W, BA20D	6,64 €	7,90 €
E103AA	78007	Bulb 6V 45/40W BA20D	6,64 €	7,90 €
E103AB	58148	Halogen headlight insert assembly 6V 35/35W	41,93 €	49,90 €
E103B	64185	Bulb 12V 35/35W	6,30 €	7,50 €
E103BA	6011	H4-headlight insert, reflector+lens R24-69S, R50/5-R75/5, R45/65 w/out bulb	28,49 €	33,90 €
E103C	10060	Bulb 6V 35/35W H4	11,18 €	13,30 €
E103D	78006	Bulb 12V 35/35W Halogen	7,52 €	8,95 €
E103E	1006	Bulb 6V 60/55W H4	13,36 €	15,90 €
E103G	1354619	Bulb 12V 60/55W Halogen	5,00 €	5,95 €
E103H	10063	Bulb 6V 25/25W H4, for standard reflector	11,18 €	13,30 €
E103I	10061	Bulb 6V 35/35W H4, for standard reflector	12,56 €	14,95 €
E103J	1006112	Bulb 12V 35/35W Halogen, for standard reflector	12,56 €	14,95 €
E104A	2005	Bulb 6V 1.2W	0,97 €	1,15 €
E104A	2005001	Bulb 6V BA7, LED, white	2,35 €	2,80 €
E104B	20051	Bulb 6V 2W	0,97 €	1,15 €
E104Ba	2005102	Bulb 6V LED green, BA9s	2,35 €	2,80 €
E104Bb	2005103	Bulb 6V LED red, BA9s	2,35 €	2,80 €
E104Bc	2005101	Bulb 6V LED white, BA9s	2,35 €	2,80 €
E104C	99105	Bulb 6V LED, Cup-shape, R 24 and others	5,46 €	6,50 €
E104D	89001	Bulb 12V 1.2W	0,97 €	1,15 €
E104E	78243	Bulb 6V 4W	0,97 €	1,15 €
E104F	99501	Bulb 12V 2W	0,97 €	1,15 €
E104G	99504	Bulb 12V 4W, position light	0,97 €	1,15 €
E106A	1012	Horn 6Volt, chrome	12,77 €	15,20 €
E106AA	46015	Horn 6 Volt, black	12,77 €	15,20 €
E106B	2072	Horn 12Volt, 100mm diameter	12,77 €	15,20 €
E112A	6005	Brake light switch, rear	5,76 €	6,85 €
E112AA	8070184	Mounting plate for Brake light switch, rear R25, R51/2	12,56 €	14,95 €
E112B	7005	Brake light switch with spring	7,48 €	8,90 €
E112D	8005	Brake light switch rubber cover, rear	0,97 €	1,15 €
E116	54121	Lense, license-plate, R 26-69S	3,84 €	4,57 €
E117	948183	Taillight lens gasket R26-69S, 09/58->	1,43 €	1,70 €
E118	3016	Taillight chrome rim R27-69S	11,26 €	13,40 €
E119	54127	Taillight clip	0,95 €	1,13 €
E120	54130	Bulb holder, tail-light, R26-69S	22,98 €	27,35 €
E121	54131	Bulb holder spring, taillight, R26-69S	1,30 €	1,55 €
E122	54133	Taillight reflector R27-69S	11,26 €	13,40 €
E124	54136	Lens, taillight R26-R69S 09/58->	8,57 €	10,20 €
E124A	8054135	Lens, taillight R26-R69S 09/58->, Hella	20,88 €	24,85 €
E125A	54111	Taillight R27-69S "big"	102,23 €	121,65 €
E125B	54118	Taillight housing R27-60/2 black	51,18 €	60,90 €
E126	88552	Grommet taillight, ->69S	0,46 €	0,55 €
E127	43809	Taillight gasket R26-69S (fender)	0,97 €	1,15 €
E128A	3005	Bulb 6V 21/5W	2,06 €	2,45 €
E128AA	3005001	Bulb 6V LED red/white for small Hella Taillight replaces 21/5W bulb	12,14 €	14,45 €
E128AB	3005002	Bulb 6V LED red/white for "big" Hella Taillight replaces 21/5W bulb	10,46 €	12,45 €



E128B	78381	Bulb 12V 21/5W	2,10 €	2,50 €
E129	2005201	Bulb 6V LED, white, BA15S	4,96 €	5,90 €
E129A	99506	Bulb 6V5W	1,43 €	1,70 €
E129B	99505	Bulb 12V 5W	1,39 €	1,65 €
E135B	2006	Bar end indicator, aluminium, Hella	44,45 €	52,90 €
E135Bb	2006000	Bar end indicator, green, Hella	43,78 €	52,10 €
E135C	54159	Bar end indicator, polished aluminium with 6V bulb and cable	24,54 €	29,20 €
E135D	54159	Bar end indicator, polished aluminium with 6V bulb and cable	24,54 €	29,20 €
E136A	4005	Bulb 6V 18W festoon	1,85 €	2,20 €
E136B	99503	Bulb 12V 18W festoon	1,85 €	2,20 €
E136B	4005111	Bulb 6V LED, festoon for handlebar indicator, only suitable with the electronic relay	8,32 €	9,90 €
E136C	20052	Bulb 6V 18W	1,85 €	2,20 €
E136C	4005002	Bulb 6V LED, red, festoon	3,95 €	4,70 €
E136CC	2005201	Bulb 6V LED, white, BA15S	4,96 €	5,90 €
E136CD	2125201	Bulb 12V LED, white, BA15S, alternative for 5-watt to 21-watt wire-bulb	4,37 €	5,20 €
E136CE	2125202	Bulb 12V LED red, replaces 21/5W bulb f.taillight	10,46 €	12,45 €
E136D	99502	Bulb 12V 21W	1,39 €	1,65 €
E136D	4005001	Bulb 6V LED, white, festoon, taillight "Eber"	3,95 €	4,70 €
E137A	2011	Bar end indicator lens "E" approved	6,81 €	8,10 €
E137B	98102	Screw M3x12 for bar end indicator lens	0,08 €	0,10 €
E144A	1011	Indicator relay 6V, electronic, only for 2 barend indicator (green=15, red=49A)	17,65 €	21,00 €
E144A	9991011	Indicator relay 6V, electronic, not use for LED	22,31 €	26,55 €
E144B	5009	Indicator relay, electronic, 12V, bar-end indic.	17,65 €	21,00 €
E147A	70109	Male plug 90° angle	7,48 €	8,90 €
E147A	70110	Male plug, straight	4,20 €	5,00 €
E147B	70111	Female plug for sidecar electrics	6,68 €	7,95 €
E147C	7012	Groundconnection for female plug	1,60 €	1,90 €
E147D	7014	Cover hinged for female plug	2,94 €	3,50 €
E147E	90081	Rubber plug for frame socket hole below drivers seat	1,43 €	1,70 €
E148	50508	Wiring connector 12pc. 6.0	1,85 €	2,20 €
E148	50507	Wiring connector 12pc. 2.5	1,68 €	2,00 €
E149	80082	Speedo 0-120Mph, W:1,23, R50-69S (25:8)	83,99 €	99,95 €
E149A	80020	Speedo 0-120 km/h, W: 1.05	83,99 €	99,95 €
E149AA	80028	Speedo 0-140 km/h, W: 1,15	83,99 €	99,95 €
E149B	0080033	Speedo 0-140 km/h, W:1.0 black dial plate	83,99 €	99,95 €
E149BA	80034	Speedo 20-140km/h, W:1,0	83,99 €	99,95 €
E149C	80027	Speedo 0-140 km/h, W. 1.08	83,99 €	99,95 €
E149D	80058	Speedo 0-160Km/h W:0.75, ->60	83,99 €	99,95 €
E149DA	80059	Speedo 20-160Km/h W:0.75, 60->	83,99 €	99,95 €
E149E	80045	Speedo 0-160 km/h, W: 0.95	83,99 €	99,95 €
E149F	80043	Speedo 0-120Km/h W: 1,15	83,99 €	99,95 €
E149G	80076	Speedo 20-200, W: 0.75	83,99 €	99,95 €
E149H	080066	Speedo 0-140 km/h, W: 0.9	83,99 €	99,95 €
E149IA	80079	Speedo 20-140 Km/h, W:1.25	83,99 €	99,95 €
E149J	181010	Speedo 0-160, W:1.0, prewar models, no logo	76,68 €	91,25 €
E149JB	181011	Speedo R35, R5, R6, R12, R51, R61, R66, R71, 0-160km/h, W:1.0	83,99 €	99,95 €
E149JC	80006	Speedo VDO, all types, rebuilt	80,00 €	95,20 €
E149JCB	0800883	Speedo VDO 20-140 km/h, W:1.08	126,05 €	150,00 €
E149JCC	0800884	Speedo VDO 0-160 km/h, W:1.00	126,05 €	150,00 €
E149JCD	0800881	Speedo VDO 20-180 km/h, W:0.86, R50S	126,05 €	150,00 €
E149JCE	0800885	Speedo VDO 20-200 km/h, W:0.715	126,05 €	150,00 €
E149JD	80077	Speedo 0-120 km/h, W:1.00, R12 black dial plate with red part (85-120km/h)	83,99 €	99,95 €
E149JD	8007777	Speedo 0-120 km/h, W:1.0 prewar, black dial plate, "X", Veigel	83,99 €	99,95 €
E149JJ	10022	Bag set Hepco & Becker, Junior, 40 liters	1,68 €	2,00 €
E149N	80150	Revolution counter R50-R69S 1:4 -> 05/65 for oil pump drive	84,45 €	100,50 €
E149NA	80151	Revolution counter R50-R69S 1:2, 06/65 >> for camshaft drive	84,45 €	100,50 €
E149NB	80154	Revolution counter cable R50-R69S connected at oil pump	12,86 €	15,30 €
E149NC	0080092	Chrome rim Revolution counter R50-R69S	12,35 €	14,70 €
E149NC	8080154	Revolution counter cable R50/2-R69S connected at camshaft >06/65	19,24 €	22,90 €
E149XA	120021	Chrome rim for repro-speedo R24-69S	12,52 €	14,90 €
E149XB	80090	Chrome rim for speedo R24-R69S for VDO, high	13,19 €	15,70 €
E150A	1016	Speedo cable R26/27, R50-R69S, R50/5->	11,26 €	13,40 €
E150B	2016	Speedo cable R24-25/3, R51/3-68	11,26 €	13,40 €
E150C	97020	Speedometer cable pre-war	15,08 €	17,95 €
E151	80160	Grommet for speedocable/gearbox	1,43 €	1,70 €
E152	80115	Speedo gasket R24-R69S + indicator glas gasket /5	1,09 €	1,30 €

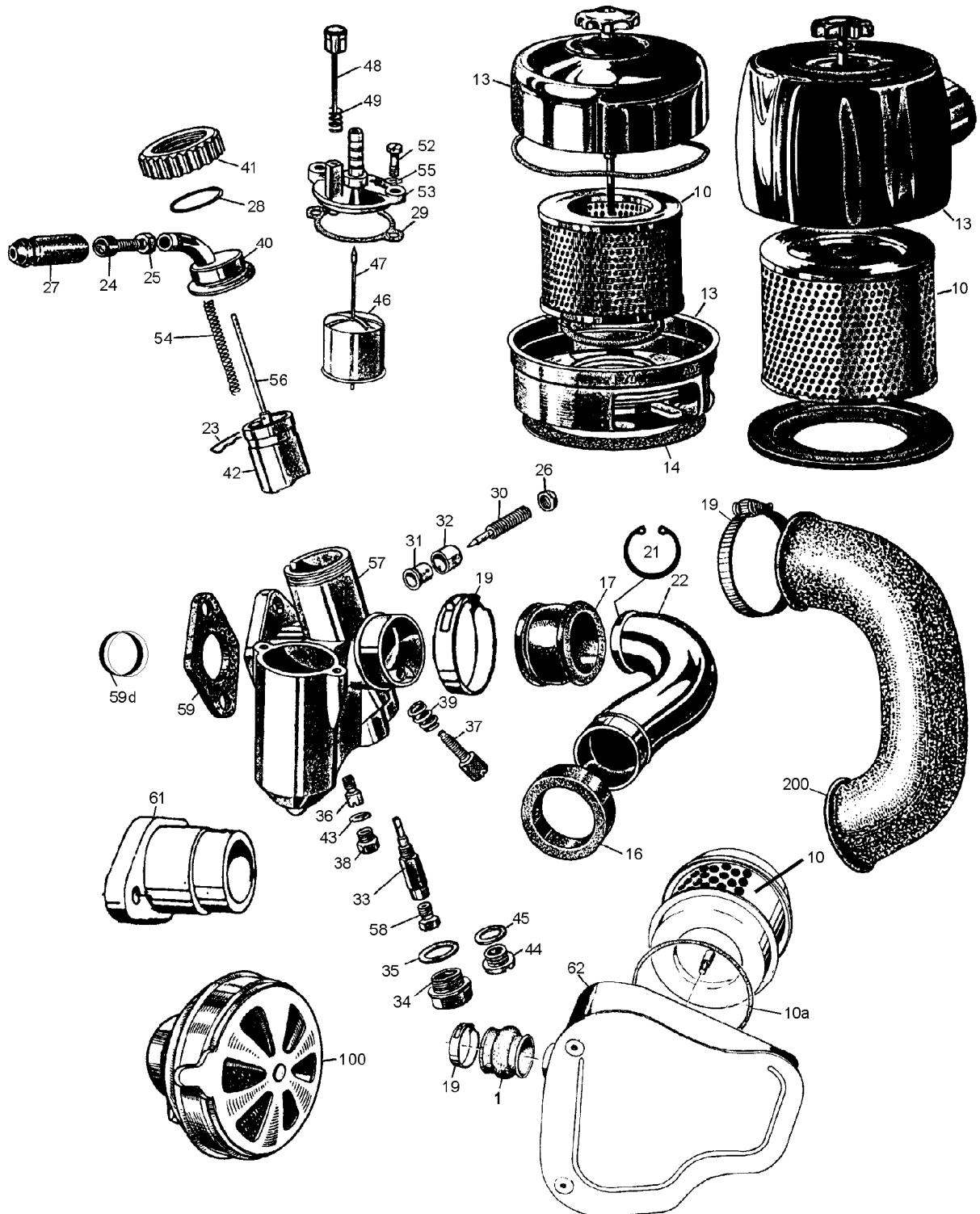


E153	80084	Speedo clamp, all models ->69S	1,93 €	2,30 €
E154	22110	Speedo nut	0,97 €	1,15 €
E156	3011	Bulb holder 7mm diameter for VDO-Speedos	2,44 €	2,90 €
E300	1900301	Wiring harness, brakelight, neutralswitch, R25, R25/2, R25/3	6,30 €	7,50 €
E300A	4030	Wiring harness, R24-26	38,65 €	45,99 €
E300B	3030	Wiring harness, R27	47,48 €	56,50 €
E300C	66035	Wire harness R50-69S, 6 volt	40,76 €	48,50 €
E300D	66015	Wiring harness, R50-69S 12 V 3-phase	51,64 €	61,45 €
E300E	66027	Wiring harness, R51/3-68	49,58 €	59,00 €
E300F	190030	Wiring harness, brakelight, neutralswitch, R26/27	15,04 €	17,90 €
E300G	66045	Wiring harness, R 50-69S, 12V, D.C.	47,86 €	56,95 €
E300H	8066025	Wiring harness R 51/2	49,58 €	59,00 €
E300i	8066101	Wiring harness R25/2-R69S, taillight	7,14 €	8,50 €
E301A	9015	Cable strap 150x3,6mm black	0,13 €	0,15 €
E301B	9017	Cabel strap 200 x 3,6 mm black	0,13 €	0,15 €
E301C	9019	Cable tape 360x7,5mm black	0,42 €	0,50 €
E301D	90190	Cable tape 302 x 4,8	0,17 €	0,20 €
E301D	70232	Wiring harness clamp R26-69S, stainless steel	4,62 €	5,50 €
E309	02172	Generator cover HOLDING ANGLE R25/3, R26 Z	11,72 €	13,95 €
E309B	02173	Generator cover HOLDING ANGLE R24-R25/2, L-shape	10,00 €	11,90 €
E310A	02112	Generator cover R24-26, chrome-plated	53,70 €	63,90 €
E310B	02113	Generator cover R24-R26, silver painted	43,49 €	51,75 €
E311A	902100	Generator cover bolt R24-R26	2,94 €	3,50 €
E311B	36102	Generator rubber plug R24, R25, R26	0,63 €	0,75 €
E312	116031	Generator cover R27	61,30 €	72,95 €
E313	2116	Generator cover gasket R27	1,64 €	1,95 €
E313a	5031	Timing cover R27 used	85,90 €	102,22 €
E314	02187	Generator cover R50-69S 12V	104,96 €	124,90 €
E314B	117031	Generator cover R51/3-69S, 6V, used	81,43 €	96,90 €
E315	02191	Generator cover nut R51/3-R69S, hexagon, w/ring	5,50 €	6,55 €
E350	2003	Rubber pad under Eber-taillight	4,03 €	4,80 €
E351A	1030	Taillight Eber-shape, black, w/brakelight and pad (external orange lens on top)	68,07 €	81,00 €
E351B	1031	Taillight Eber-shape, chrome, w/brakelight and pad	74,37 €	88,50 €
E351C	10328	Bulb holder universal with angle	4,16 €	4,95 €
E351D	8054111	Taillight R26, R50-69 ->1958, small	66,47 €	79,10 €
E352	2030	Taillight Eber-shape w/brakelight and pad (only one red lens)	74,37 €	88,50 €
E352b	054101	Taillight R24	75,55 €	89,90 €
E353	19003	Lens for "Eber"-taillight, red, w/ aluminum rim	11,26 €	13,40 €
E353A	19005	Taillight lens, red, "Eber"	7,14 €	8,50 €
E353AA	0019003	Lens for "Eber"-taill., red, w/ alum. rim + gasket	14,71 €	17,50 €
E353B	8000	Lens holder ring, aluminum, Eber-taillight	4,20 €	5,00 €
E353C	6354111	taillight lens R26, R50-69, small	6,22 €	7,40 €
E354A	78330	Bulb 6V 5W Sofitte	1,85 €	2,20 €
E354B	78304	Bulb 12V 5W Sofitte	1,85 €	2,20 €
E354C	78303	Bulb 6V 10W Sofitte	1,85 €	2,20 €
E354D	78305	Bulb 12 V 10 W Sofitte	1,85 €	2,20 €
E355	99810	Lense, license-plate, "Eber" taillight	4,20 €	5,00 €
E356	78306	Brake light lens for "Eber"-light (orange)	8,32 €	9,90 €
E357D	42179	Battery supporting rubber, inside cover R26/27	1,93 €	2,30 €
E360	1052	Headlight chrome guard R24-R75/5	16,72 €	19,90 €
E361	10521	Taillight chrome guard R26-69S	29,33 €	34,90 €
E370	30000	Ignition coil R24-26	43,57 €	51,85 €
E371AA	30025	Ignition coil 6V, outer, diameter=40mm	23,95 €	28,50 €
E371AB	43910	Ignition coil 12V, outside mounting diameter 40mm	23,95 €	28,50 €
E371B	30500	Clamp for ignition coil (40mm)	4,41 €	5,25 €
E373	023399	Contact plate generator R 27	19,41 €	23,10 €
E373	02339	Contact plate generator R 24-26	19,41 €	23,10 €
E375A	42162	Battery cover R26/27, black with alu step-protector	86,47 €	102,90 €
E375B	42160	Battery cover protection plate R26/27, aluminum	19,92 €	23,70 €
E375C	42170	Battery cover gasket R26/27	3,19 €	3,80 €
E375D	92025	Pin, steering-lock cover and stepshield 27	0,42 €	0,50 €
E375E	98470	Secure ring 4mm clip-on	0,25 €	0,30 €
E376	70194	Grommet for wiring harness/generator R24-26	1,93 €	2,30 €
E400	30168	Distributor cap R51/2	22,98 €	27,35 €
E401	80176	Distributor rotor R51, R51/2	12,52 €	14,90 €
E402	02025	Distributor R51/2 and earlier	30,67 €	36,50 €



E403	80177	Distributor gasket R51/2	1,93 €	2,30 €
E500	4009	Rectifier (diode board) 12 V	67,14 €	79,90 €
E501A	19030	Adaptor for R27 12V/3-phase conversion	61,36 €	73,02 €
E501B	02003	Adaptor for R50-R69S 12v/3-phase conversion	92,03 €	109,52 €
E503	99082	Battery pole protection grease, 50g	5,46 €	6,50 €
E600	999401	Check light 6-24 Volt	8,32 €	9,90 €

Group V: Carburator, airfilter all models 1948-1969



We always need to know the Bing number that is stamped on your carburetor to collect the correct parts.

<u>Picture-No.</u>	<u>Article-No.</u>	<u>Description</u>	<u>Net</u>	<u>Gross</u>
V000	43025	Air filter R51/2 w/choke	75,55 €	89,90 €
V000	0039290	Accelerator pump complete R27	50,00 €	59,50 €
V000	42120	Gasket ring hose connector R25-R27	0,41 €	0,49 €
V000	42122	Gasket ring R24-R27, R50/5-R60/7	0,41 €	0,49 €
V000	7770001	Sticker Airfilterhousing R69S, "Knecht Micro Star"	5,46 €	6,50 €
V000	0039291	Covernut excelleration - pump R27	10,84 €	12,90 €
V000	0043140	Breather R51/3-R69S	19,50 €	23,21 €



V000	0043136	retaining spring breather R51/3-R69S, used	3,20 €	3,81 €
V001	19016	Air filter rubber R26/27	3,82 €	4,55 €
V009	0043151	Air filter base ring R50S, R69S	33,53 €	39,90 €
V010	1200030	Air filter wired insert R51	70,55 €	83,95 €
V010a	43149	Air-filter bolt R26, R27 short,	12,56 €	14,95 €
V010A	43116	Air filter O-ring R26/27	1,85 €	2,20 €
V010A	2048	Air filter insert R27, old R50, small format	9,92 €	11,80 €
V010B	3048	Air filter insert R50/2-69S, big format	10,88 €	12,95 €
V012	0043167	Air filter clamping screw R69S, chrome-plated	33,53 €	39,90 €
V013	50314	Air filter housing R50S, R69S, chrome-plated	151,26 €	180,00 €
V013	43033	Air filter housing R50-60/2, used	92,02 €	109,50 €
V013A	50315	Air filter housing R50S, R69S, silver painted	141,18 €	168,00 €
V014	43118	Air filter gasket, R 51/2-69S	2,48 €	2,95 €
V014A	0043152	Rubber seal ring air-filter R50-R69	4,16 €	4,95 €
V016A	42164	Air tube rubber to gearbox R51/2-67/3	2,44 €	2,90 €
V016B	43163	Air tube rubber to gearbox R50-60/2	2,44 €	2,90 €
V016C	43165	Air tube rubber (gearbox) R68-69S	3,49 €	4,15 €
V017A	20016	Air tube rubber R50-60/2 (carb<->tube)	3,82 €	4,55 €
V017B	21016	Air tube rubber to carburettor R51/2-67/3	3,82 €	4,55 €
V017C	43162	Air tube rubber (carburettor) R68,69,69S	3,28 €	3,90 €
V019A	00174	Air filter clamp, chrome plated stainless steel R26/27, R51/3-R67, R50-R60/2	4,37 €	5,20 €
V019B	00176	Clamp 25-40mm	1,26 €	1,50 €
V019C	00173	Clamp upper fork boot R25, R25/2 and air intake rubber R25/3, R26, R27	1,51 €	1,80 €
V021	43166	Air filter rubber stop R68, R69, R69S	0,46 €	0,55 €
V022A	43174	Air tube R51/3, R50-50/2, RH or LH, used	35,25 €	41,95 €
V022B	43178	Air tube (R68) R69, R69S chrome, LH	41,93 €	49,90 €
V022B	43179	Air tube (R68), R69, R69S RH chrome	41,93 €	49,90 €
V022C	43133	Air tube R68 RH chrome plated	77,23 €	91,90 €
V022C	43132	Air tube R68 LH, chrome plated	77,23 €	91,90 €
V023A	38049	Spring clip for jet needle R25/3-R27, R50/2-R69S (needle with holes)	3,07 €	3,65 €
V023B	39176	Jet needle clip (4 slotted type) R25, R51/3-R68, R50-69S	0,63 €	0,75 €
V024A	39178	Throttle adjusting screw M6	1,93 €	2,30 €
V024B	39180	Throttle adjusting screw M6 (carburettor), short	1,77 €	2,11 €
V024C	39113	Cable adjustor, carb 26/27	1,60 €	1,90 €
V025	39182	Nut for throttle adjusting screw M6	0,46 €	0,55 €
V026	39184	Nut for mixture regulating screw, M7	0,42 €	0,50 €
V027A	42111	Grommet for throttle cable/carburettor, large	1,51 €	1,80 €
V027B	42112	Grommet for throttle cable/carburettor, small	1,01 €	1,20 €
V028A	42149	Slide cover O-ring R51/3-69S, oil dipstick O-ring	1,26 €	1,50 €
V029A	42150	Float top gasket ->R69S	0,63 €	0,75 €
V030A	19049	Mixture regulation screw R24, short	2,60 €	3,09 €
V030B	18049	Mixture regulation screw R25-R69S, long	5,46 €	6,50 €
V031	39183	Jacket for mixture regulating screw	2,10 €	2,50 €
V032	39185	Cap for mixture regulating screw	2,02 €	2,40 €
V033A	17049	Needle jet 1208	9,66 €	11,50 €
V033B	17050	Needle jet 1308	9,66 €	11,50 €
V033C	17051	Needle jet 1408	9,66 €	11,50 €
V033D	17052	Needle jet 1708	9,66 €	11,50 €
V033E	17053	Needle jet 2108	9,66 €	11,50 €
V033F	039134	Mixing tube R24	10,23 €	12,17 €
V034A	39197	Locking screw for needle jet ->R69S (except R25/3)	5,67 €	6,75 €
V034B	39199	Locking screw for needle jet R25/3	2,77 €	3,30 €
V034D	39192	Carburator nut, fuel inlet 1-cyl.	7,14 €	8,50 €
V035A	42130	Fibre washer for jets cover screw	0,42 €	0,50 €
V035B	42116	Gasket ring jet holder R24	0,49 €	0,58 €
V036	39120	Idle jet #50, slotted	3,32 €	3,95 €
V036	39117	Idle jet #35 slotted	3,32 €	3,95 €
V036	39119	Idle jet #45, slotted	3,32 €	3,95 €
V036	39118	Idle jet #40, slotted	3,32 €	3,95 €
V036	39121	Idle jet #55, slotted	3,32 €	3,95 €
V037A	39527	Carbuator slide adjuster screw R50-69S, R25/3	2,77 €	3,30 €
V037B	39282	Slide adjusting screw R26/27	2,52 €	3,00 €
V037C	39527	Carbuator slide adjuster screw R50-69S, R25/3	2,77 €	3,30 €
V038	39196	Locking screw for idle jet	3,61 €	4,30 €
V039A	39170	Spring for slide adjusting screw, R25-25/3, R51/3	1,35 €	1,61 €
V039B	39171	Spring for slide adjusting screw R26-69S	0,84 €	1,00 €



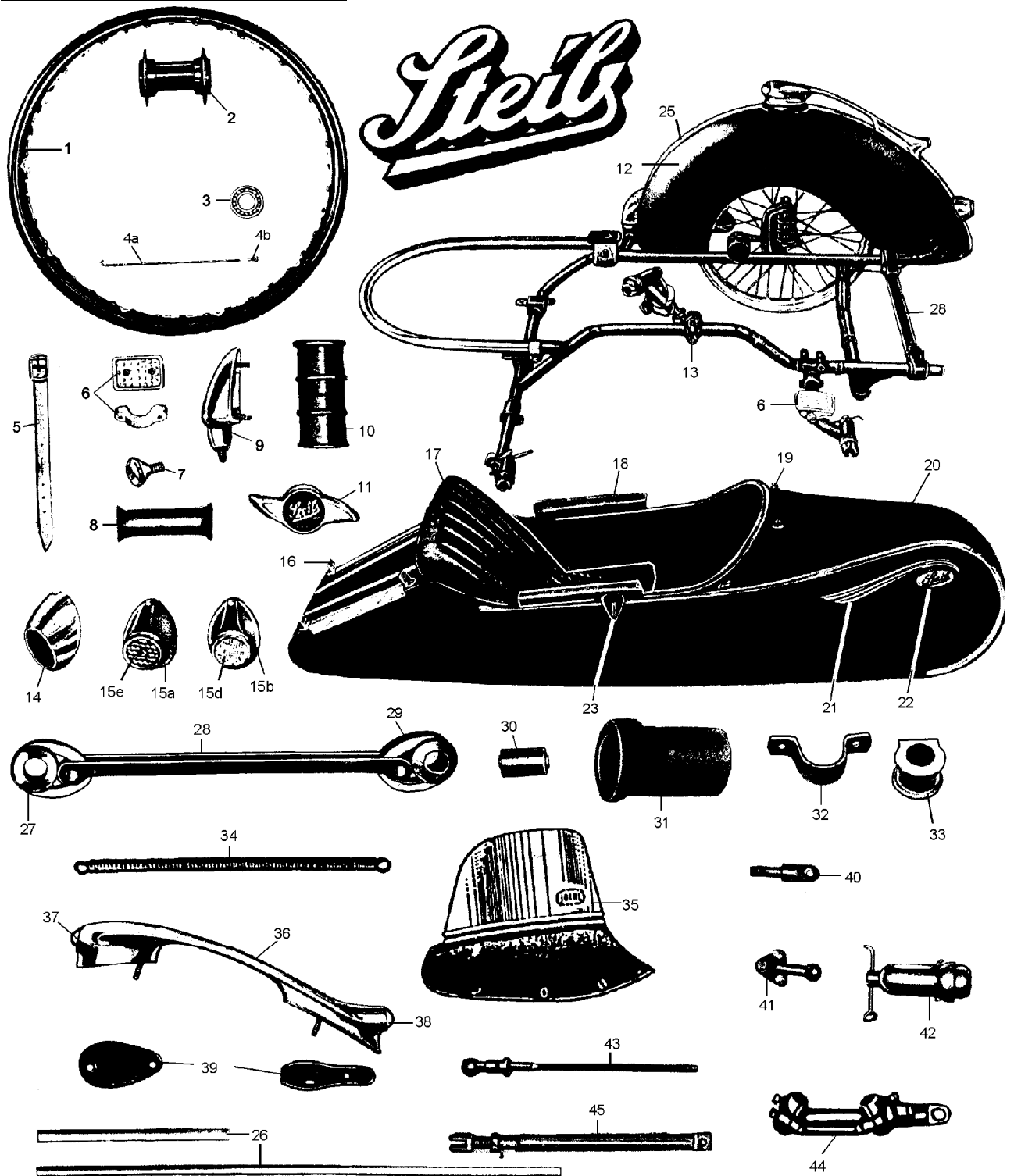
V040B	39108	Slide cover tube R25/3, R51/3-R69S	10,50 €	12,50 €
V040C	39223	Carurettor top R26/27 (pin have to be cut), w/out cable tube	7,98 €	9,50 €
V040D	39179	Slide cover tube R26/27	10,50 €	12,50 €
V040E	39111	Carburettor slide cover, left, R51/3-69S old version (integrally cast tube bend)	21,00 €	24,99 €
V041A	13049	Slide cover nut R25, R25/2, R25/3	16,39 €	19,50 €
V041C	14049	Slide cover nut R51/3-69S, R50/5-R60/7	4,24 €	5,05 €
V042B	3049	Carburettor slide R25/3-60	30,67 €	36,50 €
V042C	4049	Carburator slide R26/27	25,63 €	30,50 €
V042E	5049	Carburettor slide R51/3-69S, new version	29,41 €	35,00 €
V043	42126	Gasket for idle jet lock screw R25-69S	0,50 €	0,60 €
V044A	39195	Carburator cover nut R51/3-69S, 24mm	5,80 €	6,90 €
V045A	42134	Fibre washer for carb. cover screw 16mm	0,46 €	0,55 €
V045B	42135	Fibre washer for carb. cover screw R51/3-69S, 24mm	0,55 €	0,65 €
V046A	8049	Float 7gr.	19,75 €	23,50 €
V046B	9049	Float 11gr	19,75 €	23,50 €
V047A	52178	Float guide R50/2-69S, new version	1,89 €	2,25 €
V047B	15049	Float needle R 24-27	4,58 €	5,45 €
V047C	16049	Float needle R51-R69S, old style (centre inlet)	4,87 €	5,80 €
V047D	51397	Float needle R50/2-R69S new style (offset inlet)	5,46 €	6,50 €
V047DA	52179	Float valve washer	2,27 €	2,70 €
V048A	39161	Carburettor tickler R24-R27	3,95 €	4,70 €
V048B	39260	Carburettor tickler R51/3-R69S	5,00 €	5,95 €
V048C	52177	Carburettor tickler R51/3, R50-69S, new version	4,00 €	4,76 €
V048D	54911	Carburettor tickler R50/5-R60/6 ->74	3,02 €	3,59 €
V049A	39164	Carburettor tickler spring R25-69S	0,59 €	0,70 €
V049B	54912	Carburettor tickler spring R50/5-R60/6 ->74	0,56 €	0,67 €
V050	39165	Carburettor tickler pin	0,34 €	0,40 €
V051	39262	Washer for carburettor tickler	0,25 €	0,30 €
V052	39156	Float top screw R25-69S	3,53 €	4,20 €
V053A	52176	Float cover R 25-27	18,48 €	21,99 €
V053B	11049	Float cover R51/2-69S, old type	21,84 €	25,99 €
V053C	12049	Float cover R51/2-69S, new version, new design with side valve	48,74 €	58,00 €
V053D	51395	Float valve lever 51/3-69S, new version	1,47 €	1,75 €
V053E	51396	Float valve lever axle	1,19 €	1,42 €
V054A	7049	Carburettor slide spring R25-R25/3, R51/3	0,97 €	1,15 €
V054B	6049	Carburettor slide spring R26/27	0,97 €	1,15 €
V054C	39168	Carburettor slide spring R51/3-R60/2 for 24mm carburettor	1,09 €	1,30 €
V054CC	0039169	Carburettor slide spring R68, R69, R69S for 26mm carburettor	1,05 €	1,25 €
V055	39193	Lock washer, float-chamber srew	0,25 €	0,30 €
V056A	24049	Jet needle R25,51/3	5,63 €	6,70 €
V056B	23049	Jet needle R25/3 (24er Bing)	8,61 €	10,25 €
V056C	22049	Jet needle R26/27, R51/3-R60/2 Carb. 1/24/... and 1/26/...	9,37 €	11,15 €
V056D	39049	Jet needle R69S, new system	9,37 €	11,15 €
V056E	39274	Jet needle R50S, R68,69,69S, old system	4,12 €	4,90 €
V056F	39174	Jet needle R67/2, R67/3 (24er)	2,86 €	3,40 €
V057A	39004	Blitz-Carburator R25, R25/2, conversion-kit	190,50 €	226,70 €
V057B	30049	Blitz-Carburator, R25/3, conversion-kit	190,50 €	226,70 €
V057C	28049	Blitz-Carburator, R26/27, conversion-kit	190,50 €	226,70 €
V057D	26049	Carburettor R50-50/2, LH replacement for R60/R60/2	416,22 €	495,30 €
V057DA	39251	Carburettor R50-50/2, RH replacment for R60/R60/2	416,22 €	495,30 €
V057E	29049	Carburettor R51/2,/3, R67, LH	418,49 €	498,00 €
V057EA	39210	Carburettor R51/2,/3, R67, RH	418,49 €	498,00 €
V057F	27049	Carburettor, R69S, LH	386,55 €	460,00 €
V058A	39249	Main jet, hexagon, # 180	3,53 €	4,20 €
V058A	39250	Main jet, hexagon, # 185	3,53 €	4,20 €
V058A	39252	Main jet, hexagon, # 190	3,53 €	4,20 €
V058A	13176	Main jet, #176, hexagon	3,53 €	4,20 €
V058A	13178	Main jet, hexagon, # 178	3,53 €	4,20 €
V058A	39232	Main jet, hexagon, # 95	3,53 €	4,20 €
V058A	39233	Main jet, hexagon, # 100	3,53 €	4,20 €
V058A	39234	Main jet, hexagon, # 105	3,53 €	4,20 €
V058A	39235	Main jet, hexagon, #110	3,53 €	4,20 €
V058A	39236	Main jet, hexagon, # 115	3,53 €	4,20 €
V058A	39237	Main jet, hexagon, # 120	3,53 €	4,20 €
V058A	39238	Main jet, hexagon, # 125	3,53 €	4,20 €
V058A	39239	Main jet, hexagon, # 130	3,53 €	4,20 €



V058A	39240	Main jet, hexagon, # 135	3,53 €	4,20 €
V058A	39241	Main jet, hexagon, # 140	3,53 €	4,20 €
V058A	39242	Main jet, hexagon, # 145	3,53 €	4,20 €
V058A	39243	Main jet, hexagon, # 150	3,53 €	4,20 €
V058A	39244	Main jet, hexagon, # 155	3,53 €	4,20 €
V058A	39245	Main jet, hexagon, # 160	3,53 €	4,20 €
V058A	39248	Main jet, hexagon, # 175	3,53 €	4,20 €
V058A	39247	Main jet, hexagon, # 170	3,53 €	4,20 €
V058A	39246	Main jet, hexagon, # 165	3,53 €	4,20 €
V058A	39231	Main jet, hexagon, # 90	3,53 €	4,20 €
V058B	39131	Main jet, slotted, # 90	3,11 €	3,70 €
V058B	39132	Main jet, slotted, # 95	3,11 €	3,70 €
V058B	39133	Main jet, slotted, # 100	3,11 €	3,70 €
V058B	39134	Main jet, slotted, # 105	3,11 €	3,70 €
V058B	39135	Main jet, slotted, # 110	3,11 €	3,70 €
V058B	39136	Main jet, slotted, # 115	3,11 €	3,70 €
V058B	39137	Main jet, slotted, # 120	3,11 €	3,70 €
V058B	39138	Main jet, slotted, # 125	3,11 €	3,70 €
V058B	39139	Main jet, slotted, # 130	3,11 €	3,70 €
V058B	39140	Main jet, slotted, # 135	3,11 €	3,70 €
V058B	39141	Main jet, slotted, # 140	3,11 €	3,70 €
V058B	39142	Main jet, slotted, # 145	3,11 €	3,70 €
V058B	39143	Main jet, slotted, # 150	3,11 €	3,70 €
V058B	39144	Main jet, slotted, # 155	3,11 €	3,70 €
V058B	39145	Main jet, slotted, # 160	3,11 €	3,70 €
V058C	039144	Main jet R24, long, # 105	3,63 €	4,32 €
V058C	039142	Main jet R24, long, # 95	3,83 €	4,56 €
V058C	039143	Main jet R24, long, # 100	3,83 €	4,56 €
V058C	039145	Main jet R24, long, # 110	4,71 €	5,60 €
V059	42146	Carburettor flange gasket R25-/3, R51/2-60/2	4,41 €	5,25 €
V059B	9032	Carburettor flange gasket R26/27	4,41 €	5,25 €
V059C	42147	Carburettor flange gasket R68,69,69S	4,41 €	5,25 €
V059D	43168	Carburettor centering sleeve R69S	4,12 €	4,90 €
V059D	9942146	Carburettor flange gasket R25-/3, BLITZ-Carb.	4,41 €	5,25 €
V061A	39103	Carburettor flange R26/27, long	19,24 €	22,90 €
V061B	39104	Short flange R26/27 for replacement carburettor	19,75 €	23,50 €
V062B	32032	Air filter housing R26/27, used	56,03 €	66,68 €
V100B	34049	Air filter R25/3	18,49 €	22,00 €
V10a	43147	Air filter bolt R27 long, stainless steel	8,36 €	9,95 €
V200B	43108	Air filter rubber R25/3	9,20 €	10,95 €
V202	35016	Carburator boot	4,96 €	5,90 €
V203	90140	Tool for carburettor	5,01 €	5,96 €
V300A	39000	Carburator gasket set R24-25/3 (bing carbs)	4,12 €	4,90 €
V300B	39003	Carburator gasket set R26/27	3,99 €	4,75 €
V300C	39005	Carburettor gasket set R51/2-R69S	3,36 €	4,00 €
V301	999114	Syncro-meter electronic for all membrane carburators R75/5-R100	131,35 €	156,31 €
V400	39284	Nut for carburator clamp R26/27, R50/5-R75/5	0,34 €	0,40 €
V400	39190	Fuel intake flange, carb R25, R25/2, used	7,48 €	8,90 €
V400	39126	Mixing insert #3, R24	22,69 €	27,00 €
V400	39127	Mixing insert #5, R25, R51/2-R68	22,69 €	27,00 €



Group Z: Sidecar spare parts



<u>Picture-No.</u>	<u>Article-No.</u>	<u>Description</u>	<u>Net</u>	<u>Gross</u>
Z000	9810219	Front bumper mount LS200 sidecar LH, steel, zink plated	41,93 €	49,90 €
Z000	10224	Hand grip TR500, polished aluminium	34,45 €	41,00 €
Z000	9810213	Front bumper mount LS200 sidecar RH, Alloy polished	44,45 €	52,90 €
Z000	98001	Sidecar TR500, new – Price on request -	€	€
Z000	98002	Sidecar LS200, new – Price on request -	€	€
Z000	98480	Piston pin lock ring 20mm	17,24 €	20,52 €
Z000	981121	Front bumper LS200 sidecar	74,37 €	88,50 €
Z000	60012	Carpet-set LS200 black, 2-pcs.	41,93 €	49,90 €
Z000	9212311	Inner trim set, TR 500, incl. map pocket, black	83,95 €	99,90 €
Z000	9260011	Sidecar S350, new – Price on request -	€	€
Z000	9020217	Sidecar auxillary-frame, /5-/7	671,43 €	799,00 €
Z000	2200206	Swingarm TR500	180,00 €	214,20 €
Z000	97101	Sidecar S500, new – Price on request -	€	€
Z000	9800222	Sidecar LT200, new – Price on request -	€	€



Z000	0981121	Mudguard bumper LS200-S500 sidecar, stainless steel, polished	125,97 €	149,90 €
Z000	1022402	Screw for Hand grip TR500, stainless steel polished	3,99 €	4,75 €
Z000	6008001	Connection stray bullet type, diameter 32mm, lengt 270mm	66,30 €	78,90 €
Z000	6008002	Connection stray bullet type, diameter 24mm, length 270mm	67,14 €	79,90 €
Z000	9260012	Carpet-set S350/500 black, 2-pcs.	41,93 €	49,90 €
Z000	0400272	Clamping bell for spare wheel owners TR500	116,81 €	139,00 €
Z000	9212312	Inner trim set, TR 500, incl. map pocket, red	83,95 €	99,90 €
Z000	0112005	Hinge/Bolt for boot lid TR500, Steib	22,44 €	26,70 €
Z001	6071	Rim, sidecar, 1.85x19, 40 holes, chromeplated	100,76 €	119,90 €
Z001a	400236	Side car wheel, 19", chrome rim w/out tire	315,13 €	375,00 €
Z001b	400237	Sidecar wheel 18"	315,13 €	375,00 €
Z002A	99801	Wheel hub for sidecar (for M3.5 spokes)	142,02 €	169,00 €
Z002B	99800	Wheel hub for sidecar (for M4 spokes)	107,37 €	127,77 €
Z003	110641	Sidecar-wheel bearing, sealed	9,20 €	10,95 €
Z004A	7044	Spoke R51/2-R68 half hub + sidecar, long, chromed, M4 w/nipple	1,01 €	1,20 €
Z004B	30070	Nipple M4	0,34 €	0,40 €
Z004Bb	0030070	Nipple M4, stainless steel	0,42 €	0,50 €
Z004C	131019	Spoke 19" sidecar wheel, chromed, M3.5, w/nipple	1,64 €	1,95 €
Z005	1043	Leather belt for side car mount	5,46 €	6,50 €
Z006A	400133	Step plate, Steib sidecar	33,53 €	39,90 €
Z006B	400134	Step plate rubber, LS 200	18,40 €	21,90 €
Z007	101144	Conical screw, sidecar-fender Steib	25,17 €	29,95 €
Z008	200123	Distance tube for sidecar fender (LS200-S500) small version	16,39 €	19,50 €
Z008A	910216	Fender-holder, LS200 rear, weld-on	34,40 €	40,94 €
Z008a	0200123	Distance tube for sidecar fender (TR500) wide version	16,72 €	19,90 €
Z009	10214	Fender-holder, Steib, front, aluminum	41,93 €	49,90 €
Z009A	910215	Fender-holder, LS200-S500, front, weld-on	49,54 €	58,95 €
Z009B	12155	Rubber support, fender holder front	8,36 €	9,95 €
Z010A	20097	Wheel suspension rubber LS200-S500	25,17 €	29,95 €
Z010B	40012	Swingarm-stop, sidecar S250	7,48 €	8,90 €
Z011A	10237	Wing nut "Steib" small, M18	16,36 €	19,47 €
Z011B	10348	Wing nut "Steib" M18	31,75 €	37,78 €
Z011C	10217	Wing nut "BMW" M18	24,33 €	28,95 €
Z011E	17044	Wing nut "Steib" M20x1,5	21,60 €	25,70 €
Z012A	200122	Fender sidecar LS200-TR500, slim, tin, crude	226,81 €	269,90 €
Z012C	400266	Fender sidecar LS200-TR500, GRP, crude (glass-fibre reinforced plastic)	146,18 €	173,95 €
Z012D	4002661	Fender sidecar, LS200-TR500, complete incl. Cobra-light and trim	357,90 €	425,90 €
Z012D	2001221	Fender, TR 500, metal, 18cm, crude	243,61 €	289,90 €
Z013A	20053	Clamp for sidecar connecting rod, complete	46,22 €	55,00 €
Z013B	20015	Rubber insert for sidecar strud	6,64 €	7,90 €
Z014A	400246	Sidecar cateye, aluminium, original shape	36,05 €	42,90 €
Z014B	623020	Reflector, red	2,94 €	3,50 €
Z014C	400247	Cat eye insert	22,65 €	26,95 €
Z015A	2030	Taillight Eber-shape w/brakelight and pad (only one red lens)	74,37 €	88,50 €
Z015B	2033	Front-light sidecar, Eber-shape, white lens	76,72 €	91,30 €
Z015BB	02033	Tail-light, sidecar, Eber-shape, red lens	76,72 €	91,30 €
Z015C	2003	Rubber pad under Eber-taillight	4,03 €	4,80 €
Z015D	19004	Lens for "Eber"-light, white, w/aluminum rim	16,72 €	19,90 €
Z015E	190051	Lens for „Eber“-light, red, s/c position light	9,66 €	11,50 €
Z016	09270	Luggage eyelet LS200, S350	15,04 €	17,90 €
Z016a	9213215	Baggage bar LS200, polished aluminium	25,17 €	29,95 €
Z016b	925006	trim-set LS200 luggage space	22,65 €	26,95 €
Z016b	9213216	Baggage bar Steib S350, polished aluminum	27,31 €	32,50 €
Z017A	09700	Seat LS200-S500, foam, red	132,73 €	157,95 €
Z017A	06007	Seat LS200-S500, foam, black	145,80 €	173,50 €
Z017B	06008	Seat LS200-S500, spring core, black with white lining	193,19 €	229,90 €
Z017c	60063	Seat TR500 red	210,00 €	249,90 €
Z017D	60064	Seat TR 500 1A, black	210,00 €	249,90 €
Z018A	40082	Arm rest sidecar short, red LS200	12,69 €	15,10 €
Z018A	40080	Arm rest sidecar short, black LS200	12,69 €	15,10 €
Z018Ab	40180	Arm rest sidecar medium, black TR500	13,36 €	15,90 €
Z018Ab	40182	Arm rest sidecar medium, red	13,36 €	15,90 €
Z018B	40083	Arm rest long, S350/500, TR500, red	14,71 €	17,50 €
Z018B	40081	Arm rest long, S350/500, TR500, black	14,71 €	17,50 €
Z019A	2058	Flat twister-mount for sidecar dust cover	1,60 €	1,90 €
Z019B	2057	High twister-mount for sidecar dust cover	1,60 €	1,90 €



Z019C	2059	Oval eyelet for sidecar cover	0,80 €	0,95 €
Z019D	2053	Round eyelet for sidecar cover	0,67 €	0,80 €
Z019E	10337	Side car dust cover mounting nail LS200-S500	4,12 €	4,90 €
Z021	200125	Ornamental tail, LS200	27,65 €	32,90 €
Z022A	200124	Emblem "Steib", oval shape, lateral LS200	27,65 €	32,90 €
Z022B	1029	Emblem "Steib" front, round shape	23,49 €	27,95 €
Z022C	10231	Emblem "Steib" round, lateral	20,97 €	24,95 €
Z022D	10351	Emblem rubber, Steib front	10,00 €	11,90 €
Z023	400302	Wind shield bracket LS200, S350/500	15,55 €	18,50 €
Z024	200226	trim-set LS200 "wave"-shape, Aluminum	41,93 €	49,90 €
Z025	13210	Aluminum decor for sidecar fender, 1.5 Meter	16,72 €	19,90 €
Z025a	13211	Aluminum decor, 2 meter universal	22,65 €	26,95 €
Z026A	200210	Aluminum trim-set LS 350-500 incl. trim for fender!	92,35 €	109,90 €
Z026B	131104	Dual-seat trim holder srew, 12 mm	1,64 €	1,95 €
Z026Ba	1311041	Trim holder screw, 12mm	0,88 €	1,05 €
Z027	10345	Boat holder rubber for Sidecar, rear, small	12,52 €	14,90 €
Z028A	121179	Rear bracket for Sidecar LS200	25,13 €	29,90 €
Z028B	121180	Rear bracket for Sidecar TR 500	25,17 €	29,95 €
Z029	38016	Boat holder rubber ring, rear, LS200, TR500	21,51 €	25,60 €
Z030	10346	Metal boot, sidecar crossbar LS200, TR500	7,98 €	9,50 €
Z030A	10349	Rubber boat-holder rear, S350 and 500	6,30 €	7,50 €
Z030B	10350	Rubber boat-holder front, S350 and 500	5,80 €	6,90 €
Z031	10332	Boat holder rubber, front, TR500	17,02 €	20,25 €
Z032A	12129	Clamp for sidecar mount LS200,	10,50 €	12,50 €
Z032B	121102	Clamp for sidecar mount TR500, front	24,79 €	29,50 €
Z033A	10311	Boat holder rubber, front, LS200	15,34 €	18,25 €
Z033B	43044	Boat holder rubber, front, S 250	83,19 €	99,00 €
Z034	1412	Seat spring LS200, short	6,30 €	7,50 €
Z034A	14121	Seat spring S350, S500 long	6,64 €	7,90 €
Z035	3059	Windshield LS200-S500 complete with mounting parts	134,37 €	159,90 €
Z035a	6059	windshield LS200-S500 special offer w/o mounting parts	94,83 €	112,85 €
Z035B	88901	Windshield set TR500, original shape	201,60 €	239,90 €
Z035C	7059	Windschield TR 500	109,16 €	129,90 €
Z035D	5059	windshield cover LS200-S500	15,00 €	17,85 €
Z036	400140	"Kobra"-lamp including white and red lens	167,98 €	199,90 €
Z037	10324	White lense, Kobra handle light	9,16 €	10,90 €
Z037A	0010326	Orange lense, Kobra handle light, frontside	12,00 €	14,28 €
Z037B	0010327	Orange lense, Kobra handle light, backside	12,00 €	14,28 €
Z038A	10325	Red lense, Kobra handle light	9,66 €	11,50 €
Z038B	10326	Bulb-holder, Cobra-Light	2,48 €	2,95 €
Z039	10327	Rubber under "Kobra"-sidecar-lamp	16,72 €	19,90 €
Z040A	1062	Sidecar connecting bolt (flat), 12mm	15,04 €	17,90 €
Z040B	14044	Sidecar connecting bolt (flat), 13mm	12,94 €	15,40 €
Z040C	14045	Sidecar con. bolt 12mm (ball)	15,88 €	18,90 €
Z040D	14046	Sidecar con. bolt 13mm (ball)	15,88 €	18,90 €
Z041A	400162	Side car ball mount 3.point R25-27	26,47 €	31,50 €
Z041B	15045	Connection for sidecar, 3.point, eyebolt R25-R27	39,41 €	46,90 €
Z042A	40010	Weld-on bell, sidecar connection, complete	41,93 €	49,90 €
Z042B	99900	Weld-on ball for sidecar mount, R25, R26, R27	15,08 €	17,95 €
Z042C	14047	Sidecar con.-bolt, R 25 frame lower, srew-in	15,04 €	17,90 €
Z042C	99901	Weld-on ball for sidecar mount R51/2-R69S	16,38 €	19,49 €
Z042D	40011	Split pin for sidecar weld-on bell	1,01 €	1,20 €
Z042E	99902	Weld-on tube front/upper connection R51/3-R69S	12,77 €	15,20 €
Z042F	99903	Inner clamp for sidecar connecting bell	9,66 €	11,50 €
Z042G	99905	Pin for sidecar weld-on bell, straight	5,38 €	6,40 €
Z042H	99906	Inner clamb-nut for sidecar connecting bell	8,82 €	10,50 €
Z043A	151113	Engine mounting axle for sidecar connection w/ball	41,93 €	49,90 €
Z043B	151114	Engine axle for side car use, stainless	61,26 €	72,90 €
Z044A	60083	Sidecar connection R25, front/upper w/eyebolt	75,55 €	89,90 €
Z044B	60082	Sidecar connection R26/27, front/upper w/eyebolt	75,55 €	89,90 €
Z044C	60084	Sidecar connection R25, front/upper w/ball	55,95 €	66,58 €
Z044D	60085	Sidecar connection R26/27, front/upper w/ball	55,95 €	66,58 €
Z045A	12195	Strut (eye) for sidecar mount rear/top	55,21 €	65,70 €
Z045B	12196	Sidecar connecting rod TR500 + R50-69S, front and rear	58,74 €	69,90 €
Z045C	12193	Strut (eye) for sidecar mount front/top	58,74 €	69,90 €
Z045D	12194	Sidecar connecting rod 45° , w/bell for ball and clamp	79,31 €	94,38 €



Z045E	12197	Nut for sidecar strud, M18x1,5 flat, cinked	1,43 €	1,70 €
Z045F	9211154	Sidecar connecting rod 25cm	46,22 €	55,00 €
Z045G	9211155	Bushing connection stray 35 cm	50,34 €	59,90 €
Z045H	9211156	Bushing connection stray 30 cm	50,34 €	59,90 €
Z045i	9225054	Sidecar connecting rod 25cm	33,61 €	40,00 €
Z045j	9230056	Sidecar connecting rod 30cm	33,61 €	40,00 €
Z045k	9235055	Sidecar connecting rod 35cm	36,05 €	42,90 €
Z075	20075	Trunk snap TR 500, incl. lock	109,20 €	129,95 €
Z076	20076	Trunk snap TR 500, no lock	94,92 €	112,95 €
Z080	10336	Side car dust cover LS200,S250,S350	92,35 €	109,90 €
Z080A	10340	Dust cover LS200 w/eyelet (premium quality)	86,47 €	102,90 €
Z080B	10341	Side car dust cover S250 with eyelets (premium quality)	86,47 €	102,90 €
Z081	10347	Sidecar dust cover S350, S501w/eyelets (premium quality)	86,47 €	102,90 €
Z082	10591	Sidecar dust cover TR500 w/eyelets (premium quality)	100,76 €	119,90 €
Z084	3037	ID plate for Steib sidecar	6,18 €	7,35 €
Z085a	40098	T-grip, S500 trunk lock	58,74 €	69,90 €
Z085c	4009801	T-grip, lock-snap	11,09 €	13,20 €
Z086	400298	Light for sidecar, universal, red/white	12,52 €	14,90 €
Z086B	4009800	Rubber support, t-grip S500	3,78 €	4,50 €
Z087	4001	Spare parts book "Steib" sidecars	18,69 €	20,00 €
Z088A	20044	Sidecar sub frame R27	142,02 €	169,00 €
Z088B	20045	Sidecar sub frame R26	134,37 €	159,90 €
Z090	10328	Bulb holder universal with angle	4,16 €	4,95 €
Z091A	20068	Spring holder sheet metal, LS200, S350/S500 frontside (weld-in)	25,13 €	29,90 €
Z091B	20069	Spring holder sheet metal, S350-500 (weld-in) backside	20,13 €	23,95 €
Z092	97300	Sidecar, TR 500 lookalike	766,93 €	912,65 €
Z093	227201	Indicator, sidecar, fender mount	13,40 €	15,95 €
Z232	41400	Spring, boat-holder S 350	86,47 €	102,90 €

Group L: Literature, Manuals

<u>Article-No.</u>	<u>Description</u>	<u>Net</u>	<u>Gross</u>
998376	Total Power Grease, Innotec Spray-fat	13,40 €	15,95 €
27030	Workshop manual R50/5-75/5 (German) BMW	51,40 €	55,00 €
992060	Gearoil SAE90 GL4	5,00 €	5,95 €
66100	Goggleframe set for Aviator T1/T2, chrome	15,13 €	18,00 €
66101	Goggleframe f. glasses Intepelle	29,37 €	34,95 €
99718	Pin	3,99 €	4,75 €
00041	BMW R50-69US Motorcycle Restoration and Service, Manual, A Guide for the R50-69US Owner/Restorer	116,78 €	124,95 €
99994	Tube repair set, batches+glue	3,40 €	4,05 €
999401	Check light 6-24 Volt	8,32 €	9,90 €
98831	Rain cover for Harro 414	8,58 €	10,21 €
98830	Rain cover for Harro 407, 408 and 417	8,58 €	10,21 €
98808	Rain cover for Harro 406, 416	8,58 €	10,21 €
7131139	Rider's mask, cotton, black	4,20 €	5,00 €
6610004	Goggleframe set for Aviator T1/T2, gunmetal	15,13 €	18,00 €
0025485	Book: "Kupferwurm" and "Besser machen" Carl Hertweg	27,94 €	29,90 €
96165	List of models R32-R100RS, copy	1,82 €	1,95 €
10020	Book: Service+repair o. electrical system (German) R24-R25/3, R51/3-R69S, 6V and 12V	8,36 €	9,95 €
0100200	Book: Service+repair o. electrical system (German) R25/2, R51/3, R67, R67/2, R68, 6V	4,21 €	4,50 €
01558	Book "BMW Motorräder" (Zeyen/Leek)	46,64 €	49,90 €
020641	Book "Meilensteine der Motorradgeschichte"	25,47 €	27,25 €
09002	Booklet, annotations about R25/2 + R51/3	7,10 €	7,60 €
70218	Spare parts catalogue R11/R16 series 1/5 (German)	22,90 €	24,50 €
4012	Spare part catalogue R12/R17 (German)	19,35 €	20,70 €
4010	Spare part catalogue R2, R4 (German)	21,45 €	22,95 €
4006	Spare parts catalogue R20/R23 (German)	17,90 €	19,15 €
9021	Spare parts catalogue R24 (German)	15,79 €	16,90 €
9022	Spare parts catalogue R25 (German)	15,79 €	16,90 €
9023	Spare parts catalogue R25/2 (German)	15,79 €	16,90 €
9024	Spare parts catalogue R25/3 (German)	15,79 €	16,90 €
9025	Spare parts catalogue R26/27 (German)	17,06 €	18,25 €
4004	Spare parts catalogue R 35, (German)	17,90 €	19,15 €
4008	Spare parts catalogue R 5/6, (German)	23,36 €	25,00 €
4026	Spare parts catalogue R 50-69S, (German, English, Spanish)	17,06 €	18,25 €
70219	Spare parts catalogue R51/61/66/71 (German)	23,36 €	25,00 €



9029	Spare parts catalogue R 51/2, (German)	15,79 €	16,90 €
9028	Spare parts catalogue R 51/3-67/3, (German)	15,79 €	16,90 €
4057	Spare parts catalogue R57/R63 (German)	20,45 €	21,88 €
9020	Spare parts catalogue R 68, (German)	15,79 €	16,90 €
4003	Spare parts catalogue R75 Wehrmacht (German)	28,04 €	30,00 €
4001	Spare parts book "Steib" sidecars	18,69 €	20,00 €
5025	Cleaner for stainless steell, 250ml	12,56 €	14,95 €
1083	Polishing wadding Nevr Dull	6,68 €	7,95 €
3080001	Autosol Chrom-Polish	5,00 €	5,95 €
3020	Workshop manual extension R25/2, /3 (German)	8,65 €	9,25 €
2020	Workshop manual R25 (German)	17,99 €	19,25 €
37020	Workshop manual R25 (English)	33,55 €	35,90 €
4020	Workshop manual R26/27 (German)	22,24 €	23,80 €
6020	Workshop manual R50-69S (German, Spanish, English, French)	22,24 €	23,80 €
5020	Workshop manual R51/3-67/2 (German)	20,00 €	21,40 €
5021	Workshop manual extension R67/2-R68 (German)	8,65 €	9,25 €
10021	Workshop manual R51/2 (German)	22,24 €	23,80 €
4002	Workshop manual R75 Wehrmacht w/side car	43,46 €	46,50 €
70200	Owner's manual R11 (German)	23,36 €	25,00 €
70216	Owner's manual R12 (German)	20,47 €	21,90 €
70209	Owner's manual (German) R2, R4	20,47 €	21,90 €
70214	Owner's manual R20 (German)	15,42 €	16,50 €
70215	Owner's manual R23 (German)	15,42 €	16,50 €
70201	Owner's manual R24 (German)	9,20 €	9,84 €
70202	Owner's manual R25 (German)	9,20 €	9,84 €
70203	Owner's manual R25/2 (German)	9,20 €	9,84 €
70204	Owner's manual R25/3 (German)	12,56 €	13,44 €
70205	Owner's manual R26 (German)	12,56 €	13,44 €
70206	Owner's manual R27 (German)	12,56 €	13,44 €
7023	Owner's manual R35 (German)	17,90 €	19,15 €
70217	Owner's manual R5/R6 (German)	20,47 €	21,90 €
70207	Owner's manual R50-69 (German)	12,56 €	13,44 €
702071	Owner's manual R50, R60, R69S (German)	18,50 €	19,80 €
70213	Owners manual R51, R61, R66, R71 (German)	18,88 €	20,20 €
7024	Owner's manual R51/2 (German)	14,58 €	15,60 €
70208	Owner's manual R51/3-68 (German)	12,56 €	13,44 €
7022	Owner's manual R75 Wehrmacht (German)	20,45 €	21,88 €
70222	Owner's manual R12 (English)	15,37 €	16,45 €
27020	Owner's manual R25 (English)	14,58 €	15,60 €
27022	Owner's manual R25 (English)	16,73 €	17,90 €
27023	Owner's manual R25/3 (English)	16,73 €	17,90 €
27021	Owner's manual R26 (English, French, Spanish)	20,47 €	21,90 €
27027	Owner's manual R27 (English, French, Spanish)	20,47 €	21,90 €
17020	Owner's Manual R50-69S (English, French, Spanish)	21,03 €	22,50 €
17021	Owner's manual R50-69S US tele fork (English)	14,86 €	15,90 €
70221	Owner's manual R51/2 (English)	17,90 €	19,15 €
7025	Owner's manual R51/3-68 (English)	15,79 €	16,90 €
11020	Book DIY special tools	4,58 €	4,90 €
0001660	Polishing cloth BMW	5,00 €	5,95 €
0007351	Poster set: PostWar BMW bikes	25,00 €	29,75 €
24002	Helmet Jet, ECE-22.05, ivory Classic, XS	75,59 €	89,95 €
1889242	Helmet Jet, ECE-22.05, ivory Classic, S	75,59 €	89,95 €
1889243	Helmet Jet, ECE-22.05, ivory Classic, M	75,59 €	89,95 €
1889244	Helmet Jet, ECE-22.05, ivory Classic, L	75,59 €	89,95 €
1889245	Helmet Jet, ECE-22.05, ivory Classic, XL	58,78 €	69,95 €
1889246	Helmet Jet, ECE-22.05, ivory Classic, XXL	75,59 €	89,95 €
896100	Helmet half shell, fiberglass, "British Style", uni, unicolor black, real black leather, S	83,99 €	99,95 €
1889152	Helmet half shell, fiberglass, "British Style", uni, unicolor black, real black leather, M	83,99 €	99,95 €
1889153	Helmet half shell, fiberglass, "British Style", uni, unicolor black, real black leather, L	83,99 €	99,95 €
1889154	Helmet half shell, fiberglass, "British Style", uni, unicolor black, real black leather, XL	83,99 €	99,95 €
1889155	Helmet half shell, fiberglass, "British Style", uni, unicolor black, real black leather, XXL	83,99 €	99,95 €
1889156	Helmet half shell, fiberglass, "British Style", uni, unicolor white, real black leather, M	83,99 €	99,95 €
0896101	Helmet half shell, fiberglass, "British Style", uni, unicolor weiss, real black leather, S	83,99 €	99,95 €
60027	Helmet half shell, fiberglass, "British Style", TT, TwoTone black-silver, real black leather, S	88,15 €	104,90 €
1889162	Helmet half shell, fiberglass, "British Style", TT, TwoTone black-silver, real black leather, M	88,15 €	104,90 €
1889163	Helmet half shell, fiberglass, "British Style", TT, TwoTone black-silver, real black leather, L	88,15 €	104,90 €



1889164	Helmet half shell, fiberglass, "British Style", TT, TwoTone black-silver, real black leather, XL	88,15 €	104,90 €
1889165	Helmet half shell, fiberglass, "British Style", TT, TwoTone black-silver, real black leather, XXL	88,15 €	104,90 €
1885715	Helmet half shell, fiberglass, ivory, S	50,38 €	59,95 €
1889132	Helmet half shell, fiberglass, ivory, M	50,38 €	59,95 €
1889133	Helmet half shell, fiberglass, ivory, L	50,38 €	59,95 €
1889134	Helmet half shell, fiberglass, ivory, XL	50,38 €	59,95 €
1889135	Helmet half shell, fiberglass, ivory, XXL	50,38 €	59,95 €
1885646	Helmet half shell, fiberglass, black, S	50,38 €	59,95 €
1889102	Helmet half shell, fiberglass, black, M	50,38 €	59,95 €
1889103	Helmet half shell, fiberglass, black, L	50,38 €	59,95 €
1889104	Helmet half shell, fiberglass, black, XL	50,38 €	59,95 €
1889105	Helmet half shell, fiberglass, black, XXL	50,38 €	59,95 €
1885648	Helmet half shell, fiberglass, black, chequered, S	67,14 €	79,90 €
1889122	Helmet half shell, fiberglass, black, chequered, M	67,14 €	79,90 €
1889123	Helmet half shell, fiberglass, black, chequered, L	67,14 €	79,90 €
1889124	Helmet half shell, fiberglass, black, chequered, XL	67,14 €	79,90 €
1889125	Helmet half shell, fiberglass, black, chequered, XXL	67,14 €	79,90 €
1885647	Helmet half shell, fiberglass, silver, S	50,38 €	59,95 €
1889142	Helmet half shell, fiberglass, silver, M	50,38 €	59,95 €
1889143	Helmet half shell, fiberglass, silver, L	50,38 €	59,95 €
1889144	Helmet half shell, fiberglass, silver, XL	50,38 €	59,95 €
1889145	Helmet half shell, fiberglass, silver, XXL	50,38 €	59,95 €
1885645	Helmet half shell, fiberglass, white, S	50,38 €	59,95 €
1889112	Helmet half shell, fiberglass, white, M	50,38 €	59,95 €
1889113	Helmet half shell, fiberglass, white, L	50,38 €	59,95 €
1889114	Helmet half shell, fiberglass, white, XL	50,38 €	59,95 €
1889115	Helmet half shell, fiberglass, white, XXL	50,38 €	59,95 €
090104	Helmet Jet, ECE-22.05, black, XS	58,78 €	69,95 €
1889202	Helmet Jet, ECE-22.05, black, S	58,78 €	69,95 €
1889203	Helmet Jet, ECE-22.05, black, M	58,78 €	69,95 €
1889204	Helmet Jet, ECE-22.05, black, L	58,78 €	69,95 €
1889205	Helmet Jet, ECE-22.05, black, XL	58,78 €	69,95 €
1889206	Helmet Jet, ECE-22.05, black, XXL	58,78 €	69,95 €
090102	Helmet Jet, ECE-22.05, silver, XS	58,78 €	69,95 €
1889232	Helmet Jet, ECE-22.05, silver, S	58,78 €	69,95 €
1889233	Helmet Jet, ECE-22.05, silver, M	58,78 €	69,95 €
1889234	Helmet Jet, ECE-22.05, silver, L	58,78 €	69,95 €
1889235	Helmet Jet, ECE-22.05, silver, XL	58,78 €	69,95 €
1889236	Helmet Jet, ECE-22.05, silver, XXL	58,78 €	69,95 €
090113	Helmet Jet, ECE-22.05, white, XS	58,78 €	69,95 €
0090111	Helmet Jet, ECE-22.05, white, chrome-edge, XS, black textile lining	83,99 €	99,95 €
1889212	Helmet Jet, ECE-22.05, white, S	58,78 €	69,95 €
1889213	Helmet Jet, ECE-22.05, white, M	58,78 €	69,95 €
1889214	Helmet Jet, ECE-22.05, white, L	58,78 €	69,95 €
1889215	Helmet Jet, ECE-22.05, white, XL	58,78 €	69,95 €
1889216	Helmet Jet, ECE-22.05, white, XXL	58,78 €	69,95 €
1889222	Helmet Jet, ECE-22.05, white, chrome-edge, S, black textile lining	83,99 €	99,95 €
1889223	Helmet Jet, ECE-22.05, white, chrome-edge, M, black textile lining	83,99 €	99,95 €
1889224	Helmet Jet, ECE-22.05, white, chrome-edge, L, black textile lining	83,99 €	99,95 €
1889225	Helmet Jet, ECE-22.05, white, chrome-edge, XL, black textile lining	83,99 €	99,95 €
1889226	Helmet Jet, ECE-22.05, white, chrome-edge, XXL, black textile lining	83,99 €	99,95 €
1889227	Helmet Jet, ECE-22.05, white, chrome-edge, XL, burgundy textile lining, REMAINING STOCK	83,99 €	99,95 €
24003	Helmet Jet, fiberglass, black/silver, no ECE, S, extra small shell, brown leather lining	83,99 €	99,95 €
1889253	Helmet Jet, fiberglass, black/silver, no ECE, M, extra small shell, brown leather lining	83,99 €	99,95 €
1889254	Helmet Jet, fiberglass, black/silver, no ECE, L, extra small shell, brown leather lining	83,99 €	99,95 €
1889255	Helmet Jet, fiberglass, black/silver, no ECE, XL, extra small shell, brown leather lining	83,99 €	99,95 €
1889256	Helmet Jet, fiberglass, black/silver, no ECE, XXL, extra small shell, brown leather lining	83,99 €	99,95 €
1889262	Helmet Jet, fiberglass, green/silver, no ECE, S, extra small shell, brown leather lining	83,99 €	99,95 €
1889263	Helmet Jet, fiberglass, green/silver, no ECE, M, extra small shell, brown leather lining	83,99 €	99,95 €
1889264	Helmet Jet, fiberglass, green/silver, no ECE, L, extra small shell, brown leather lining	83,99 €	99,95 €
1889265	Helmet Jet, fiberglass, green/silver, no ECE, XL, extra small shell, brown leather lining	83,99 €	99,95 €
1889266	Helmet Jet, fiberglass, green/silver, no ECE, XXL, extra small shell, brown leather lining	83,99 €	99,95 €
1889701	Helmet Jet, ECE-22.05, black, chequered, XS, black textile lining	92,35 €	109,90 €
1889702	Helmet Jet, ECE-22.05, black, chequered, S, black textile lining	92,35 €	109,90 €
1889703	Helmet Jet, ECE-22.05, black, chequered, M, black textile lining	92,35 €	109,90 €
1889704	Helmet Jet, ECE-22.05, black, chequered, L, black textile lining	92,35 €	109,90 €



1889705	Helmet Jet, ECE-22.05, black, chequered, XL, black textile lining	92,35 €	109,90 €
1889706	Helmet Jet, ECE-22.05, black, chequered, XXL, black textile lining	92,35 €	109,90 €
8024080	Helmet shield, 3 button fixing, black	7,14 €	8,50 €
60327	Classic goggle chrome frame	31,85 €	37,90 €
04114	Goggle Aviator Retro, rubber, chrome	92,35 €	109,90 €
0411401	Goggle Aviator Retro, rubber, gunmetal	92,35 €	109,90 €
67062	Goggle Aviator Retro, leather, chrome	92,35 €	109,90 €
04119	Goggle Aviator Retro, optical (for glasses)	134,41 €	159,95 €
068002	Goggle Aviator Vintage chrome, leather	102,52 €	122,00 €
068001	Goggle Aviator Vintage gunmetal, leather	102,52 €	122,00 €
0670732	Goggle "Jeanted" T2 (clear) Retro Pilot	100,76 €	119,90 €
0670735	Goggle "Jeanted" T2 (mirror) Retro optical	100,76 €	119,90 €
0670736	Goggle "Jeanted" T2 (mirror) Retro optical	100,76 €	119,90 €
0501501	Goggle Cilmax 501, chrome, black leather	41,93 €	49,90 €
4182778	Goggle "Jeanted" T2 Retro optical brown lenses and leather, golden frame	100,76 €	119,90 €
00300	Sunshades Helge S., green	8,40 €	10,00 €
4600210	Eyeglasses alternate strap Aviator Retro	12,56 €	14,95 €
61250	Eyeglasses alternate strap T1/T2	14,03 €	16,70 €
04116	Spare glasses for Goggle Aviator, set, yellow or smoke	9,75 €	11,60 €
0004116	Spare glasses for Goggle Aviator, set, clear	11,72 €	13,95 €
067173	Spare glasses Jeanted T1/2 orange	16,81 €	20,00 €
0067174	Spare glasses Jeanted T1/2 orange	16,81 €	20,00 €
067172	Spare glasses Jeanted T1/2 clear	16,81 €	20,00 €
067175	Spare glasses Jeanted T1/2 mirror	22,27 €	26,50 €
0005317	Tool set R 24-69S	145,34 €	172,95 €
30752	Tool bag, high 20cm	10,84 €	12,90 €
3075217	Tool bag, high 17cm	10,84 €	12,90 €
3075215	Tool bag, high 15cm	10,84 €	12,90 €
13070	Varnish pen, black	8,32 €	9,90 €
022001	Rust remover "Tankcure"	15,08 €	17,95 €
24000	Fuel tank seal mastic, 450g., "Tankcure" for one fuel tank !	28,49 €	33,90 €
9999982	Model Schuco R 25/3, 1:10, black	67,14 €	79,90 €
9999983	Model Schuco R 25/3 "red cross" 1:10	51,68 €	61,50 €
9906508	Model R 90S, daytona-orange, 1976, 1:24	15,04 €	17,90 €
9952000	Model Schuco R 90S, daytona orange, 1:10	54,58 €	64,95 €



In order to accomplish a fast dispatch, we ask you to give to us your credit card details

Please fill out this side and **fax it to us at +49 69 23 38 40**

Credit card direct debit authorisation

Hereby I authorize

Ulis Motorradladen GmbH
Gutleutstrasse 144
D-60327 Frankfurt am Main

to deduct invoice amounts of my credit card account.

Name _____

Customer's number (if known) _____

Street _____

ZIP / Town / State / Country _____

Name of Account owner _____

Name of the bank _____

Credit card number _____

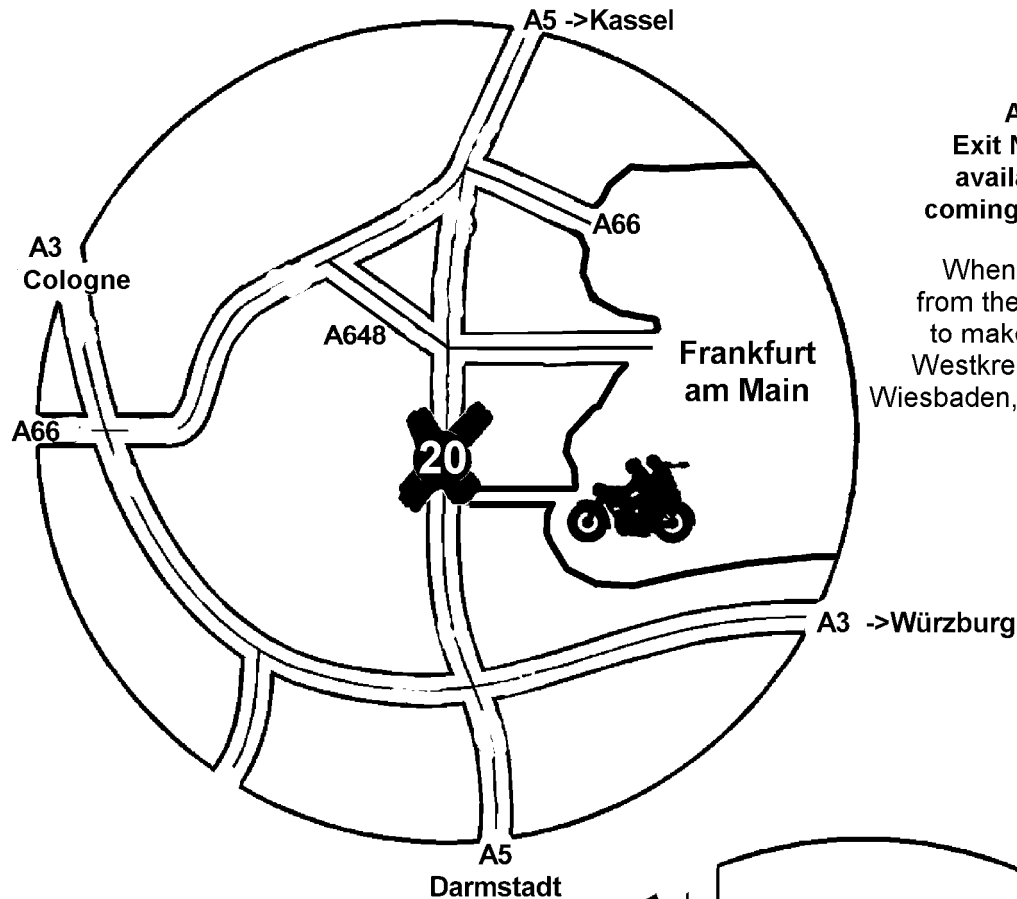
Date of expiration _____

CV Code (three digits on the back of your card in the signature area) _____

Date / Signature _____



How to find Ulis Motorradladen



Attention!
Exit No 20 is only available if you're coming from the north

When you're coming from the south, you have to make a u-turn at the Westkreuz. First direction Wiesbaden, then direction Basel

Ulis Motorradladen GmbH
Gutleutstraße 144
D-60327 Frankfurt am Main

Telefon +49 (0) 69 / 23 93 19
Telefax +49 (0) 69 / 23 38 40

Info@UlisMotorradladen.de
www.UlisMotorradladen.de

WGS84
N 50°06.138'
E 008°39.602'

